



US00D753006S

(12) **United States Design Patent**
Deyaf

(10) **Patent No.:** **US D753,006 S**
(45) **Date of Patent:** **** *Apr. 5, 2016**

(54) **LIGHT BAR**

Primary Examiner — George D Kirschbaum

(71) Applicant: **SpeedTech Lights Inc.**, Buda, TX (US)

(72) Inventor: **Ahmed Deyaf**, Buda, TX (US)

(73) Assignee: **SpeedTech Lights Inc.**, Buda, TX (US)

(*) Notice: This patent is subject to a terminal disclaimer.

(**) Term: **14 Years**

(21) Appl. No.: **29/496,222**

(22) Filed: **Jul. 10, 2014**

(51) **LOC (10) Cl.** **10-05**

(52) **U.S. Cl.**
USPC **D10/114.4; D26/37**

(58) **Field of Classification Search**
USPC D10/114.4, 114.3; D26/28, 119, 120,
D26/72, 85; 362/485

See application file for complete search history.

(56) **References Cited**

U.S. PATENT DOCUMENTS

D703,082 S * 4/2014 Deyaf D10/114.4

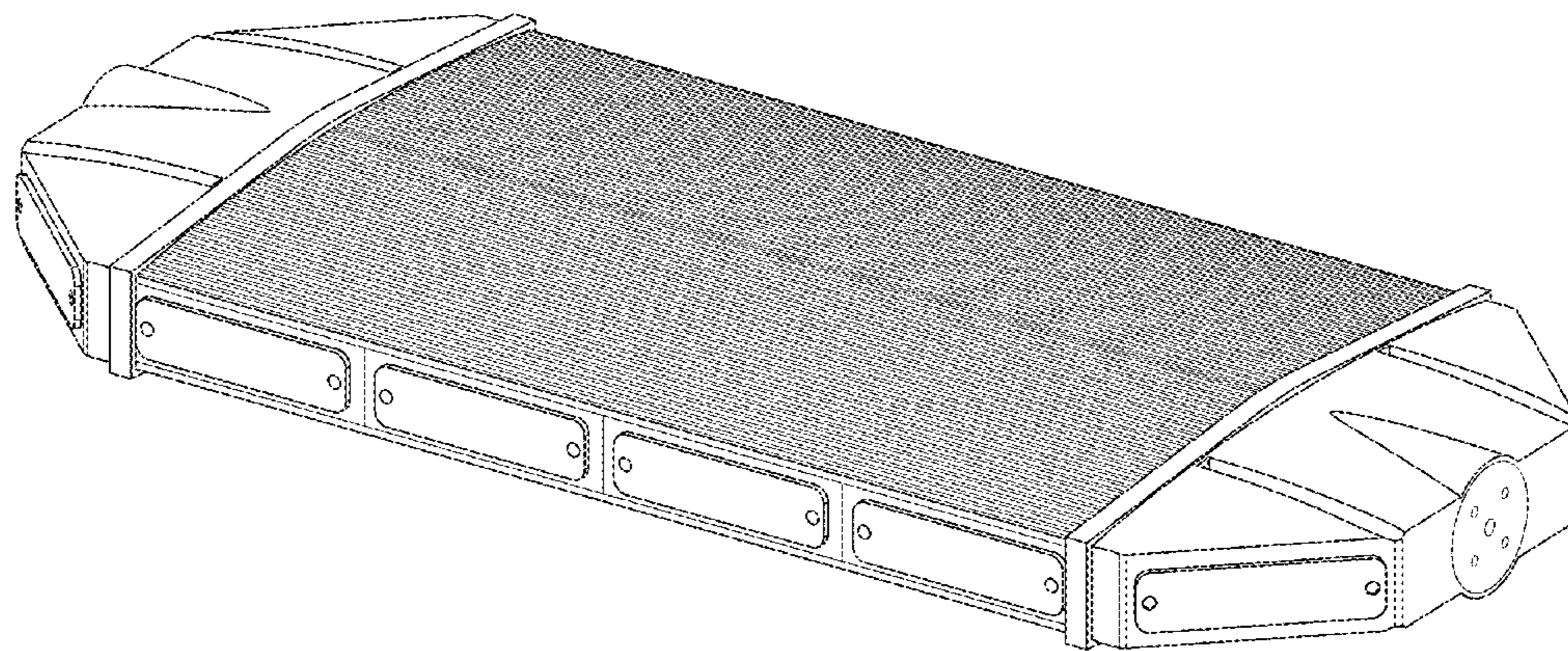
* cited by examiner

(57) **CLAIM**
The ornamental design for a light bar, as shown.

DESCRIPTION

FIG. 1 is a perspective view of a light bar showing my new design;
FIG. 2 is a front view thereof, which is a mirror image of the rear view thereof;
FIG. 3 is a left side view, which is a mirror image of the right side view thereof;
FIG. 4 is a top view thereof;
FIG. 5 is a bottom view thereof;
FIG. 6 is a perspective view of a light bar that includes reflectors on each end showing my new design;
FIG. 7 is a front view thereof, which is a mirror image of the rear view thereof;
FIG. 8 is a left side view, which is a mirror image of the right side view thereof;
FIG. 9 is a top view thereof; and,
FIG. 10 is a bottom view thereof.

1 Claim, 8 Drawing Sheets



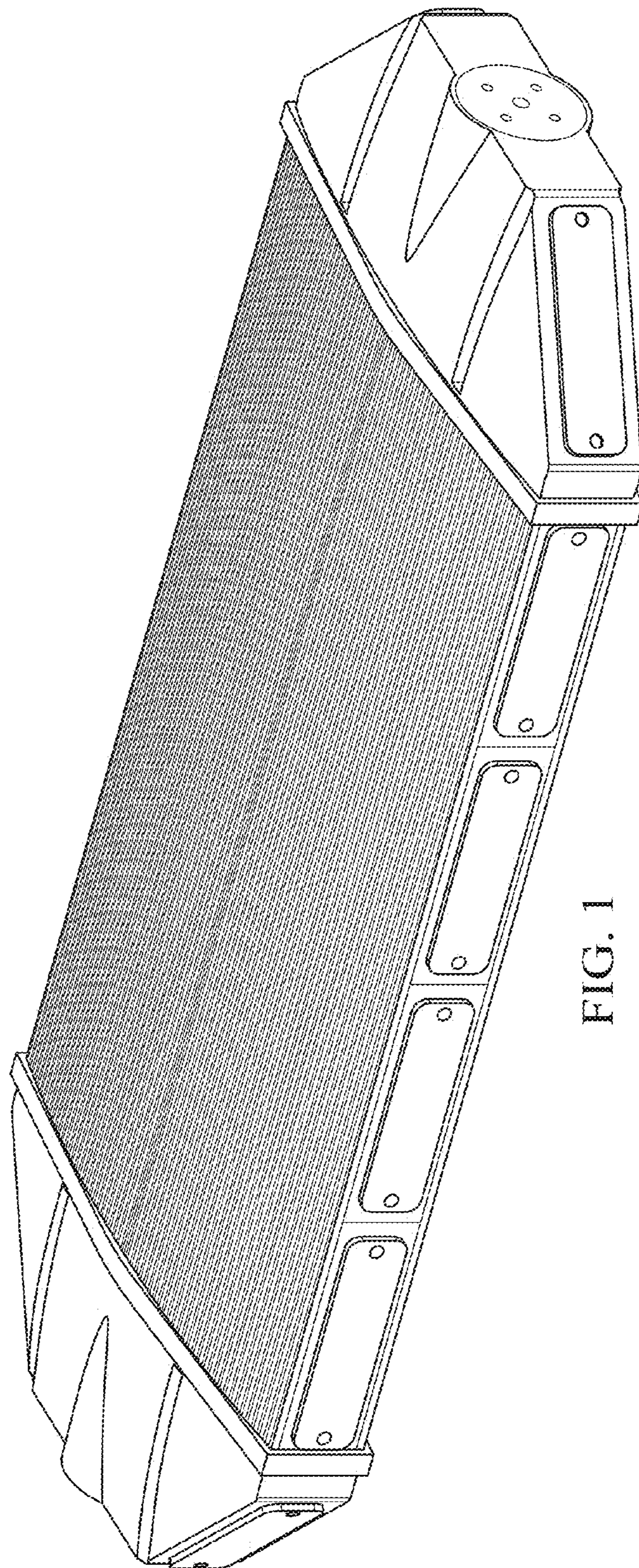


FIG. 1

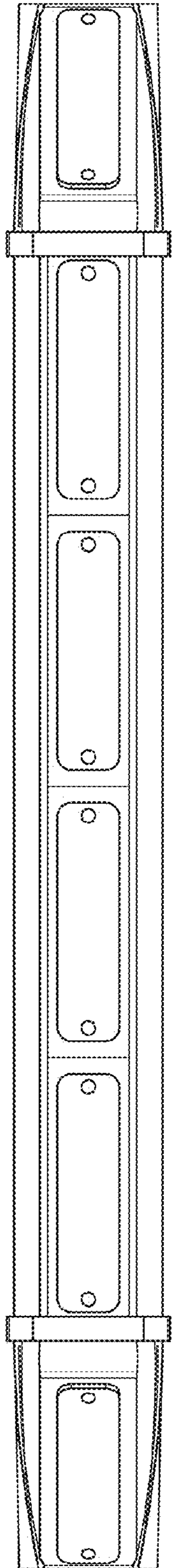


FIG. 2

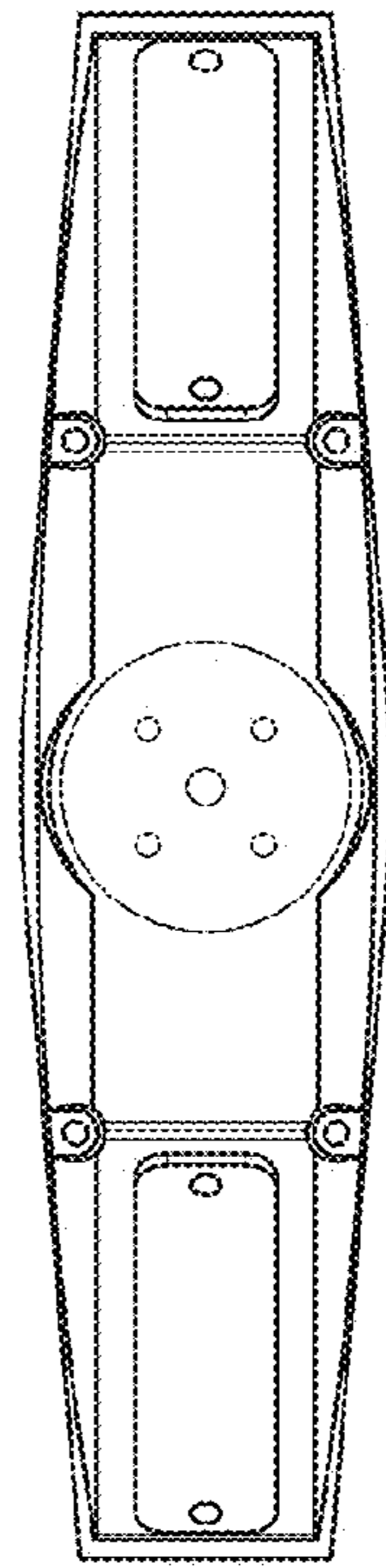


FIG. 3

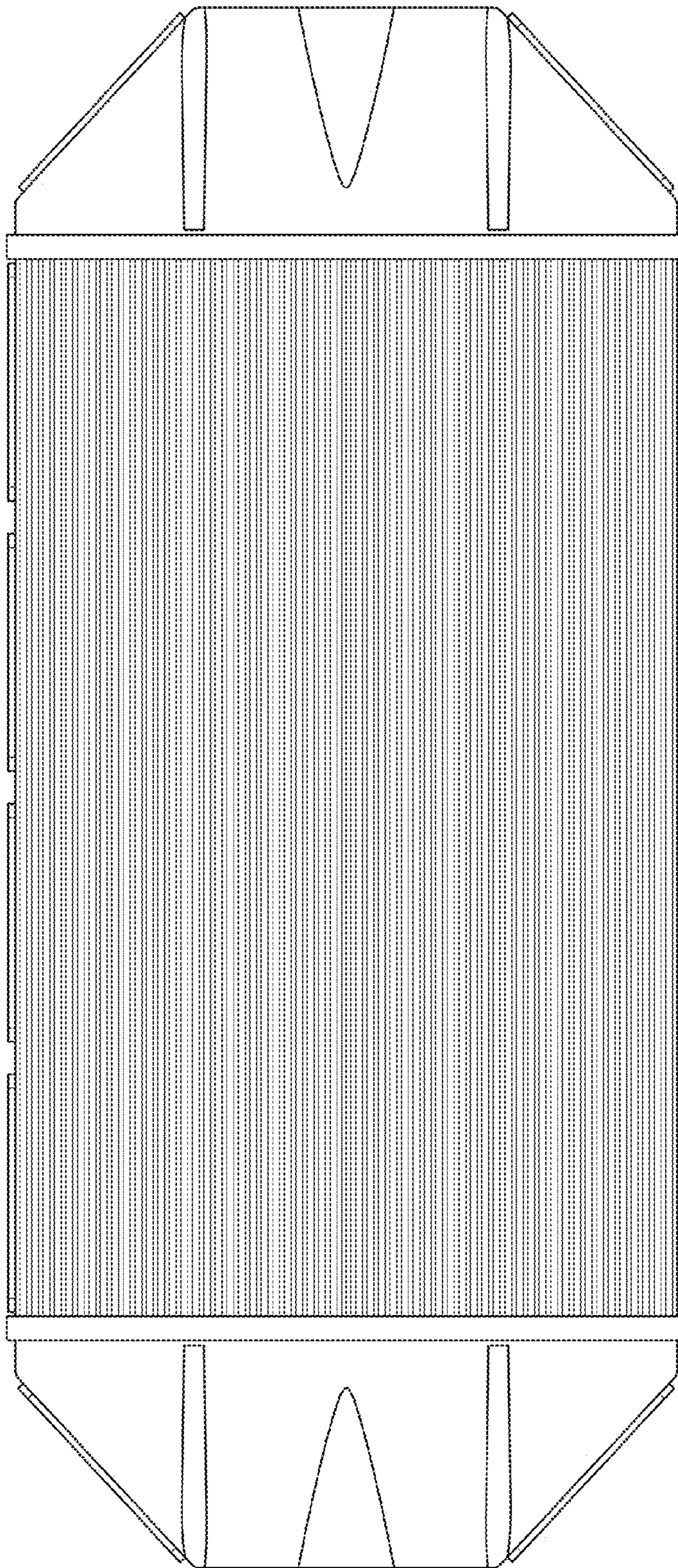


FIG. 4

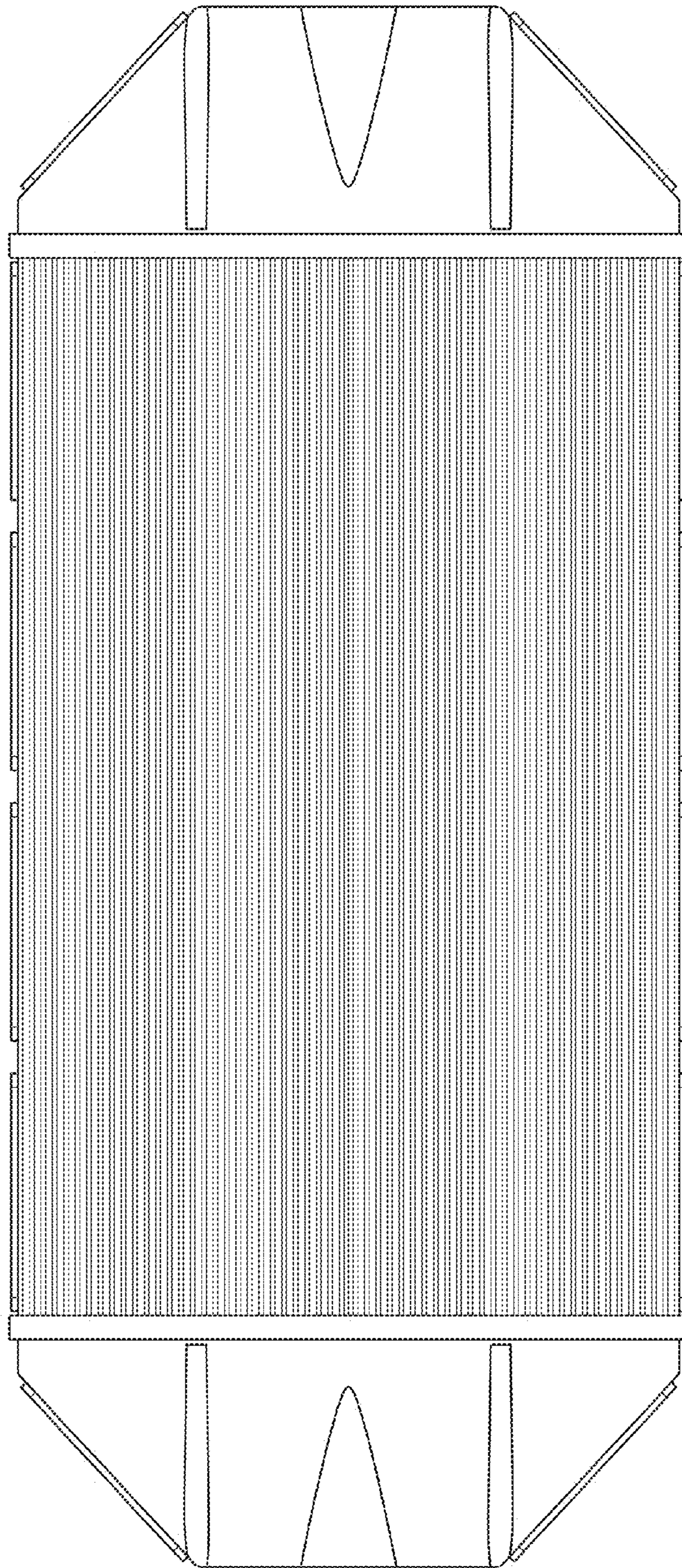


FIG. 5

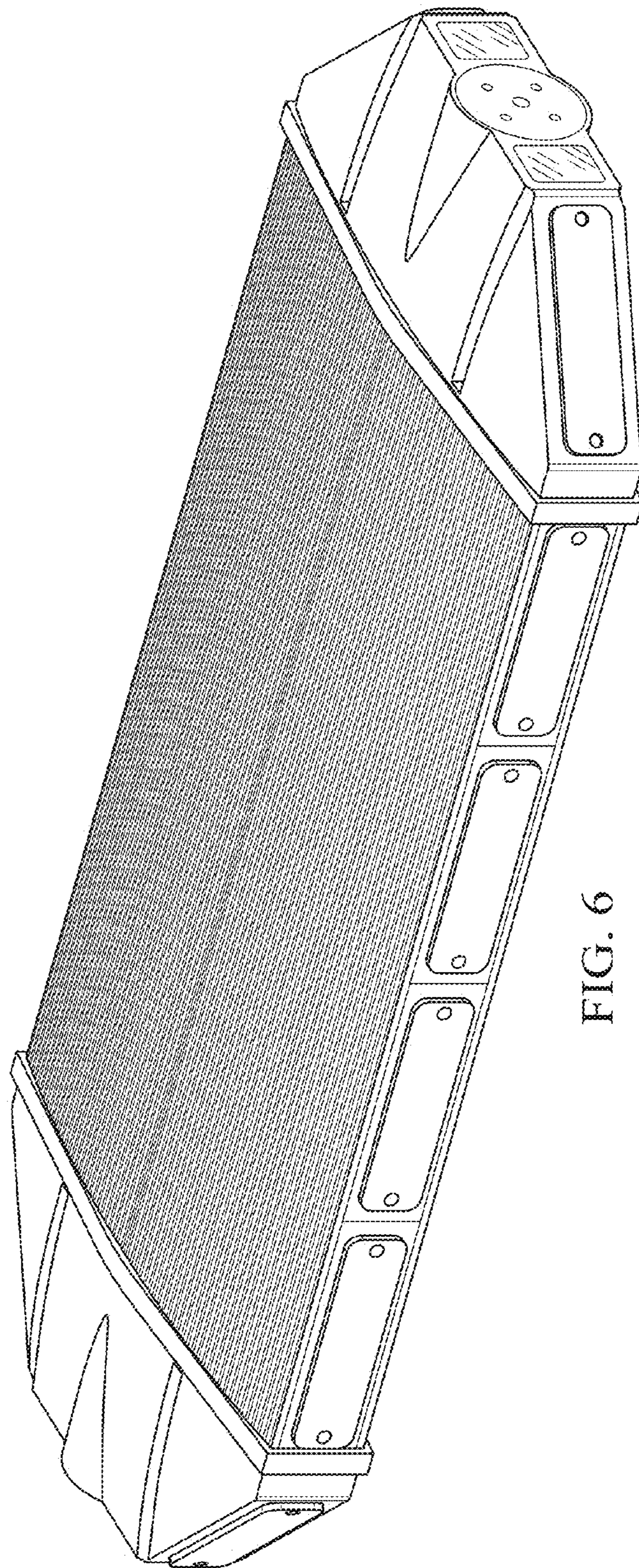


FIG. 6

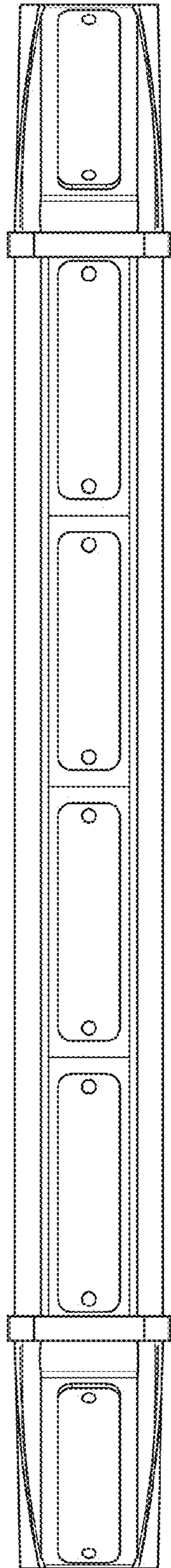


FIG. 7

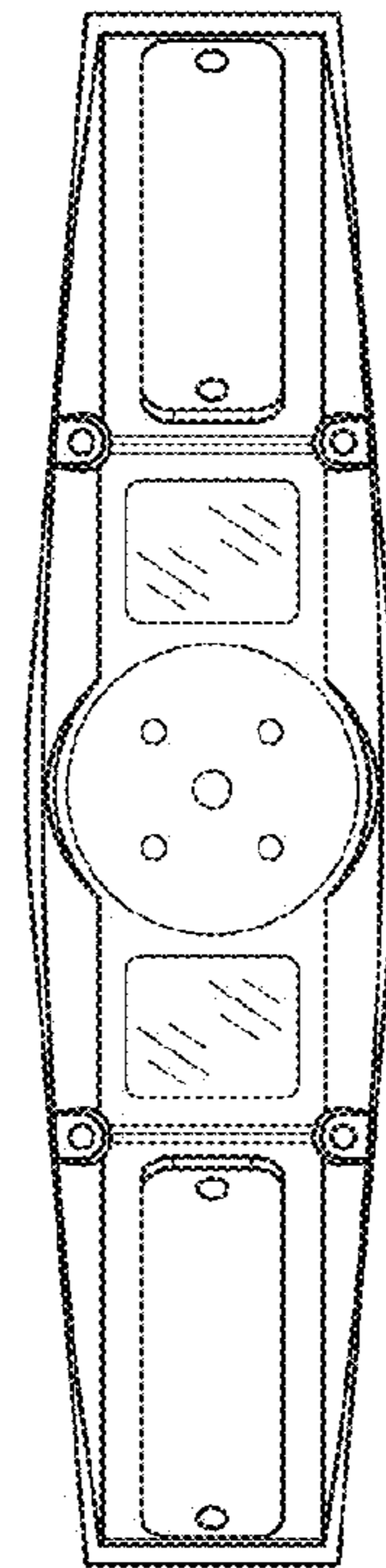


FIG. 8

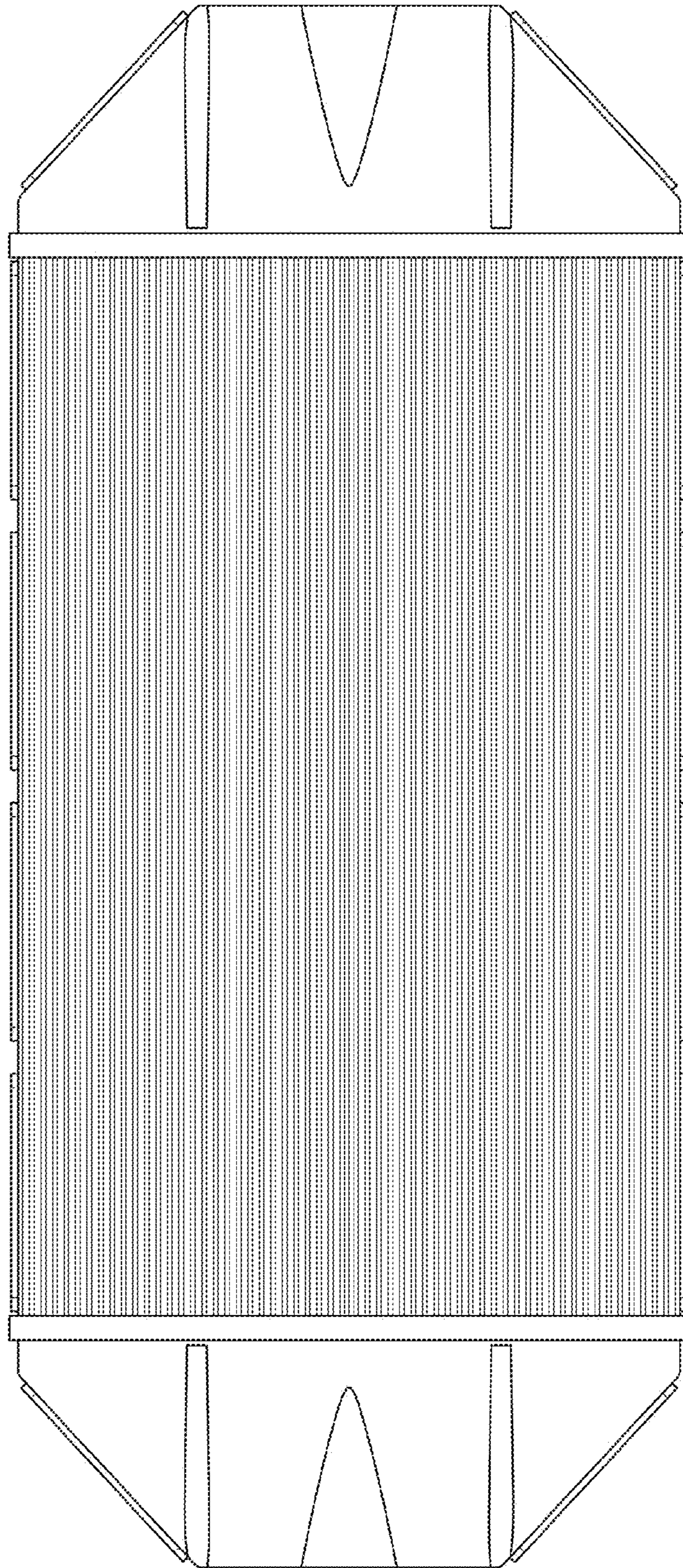


FIG. 9

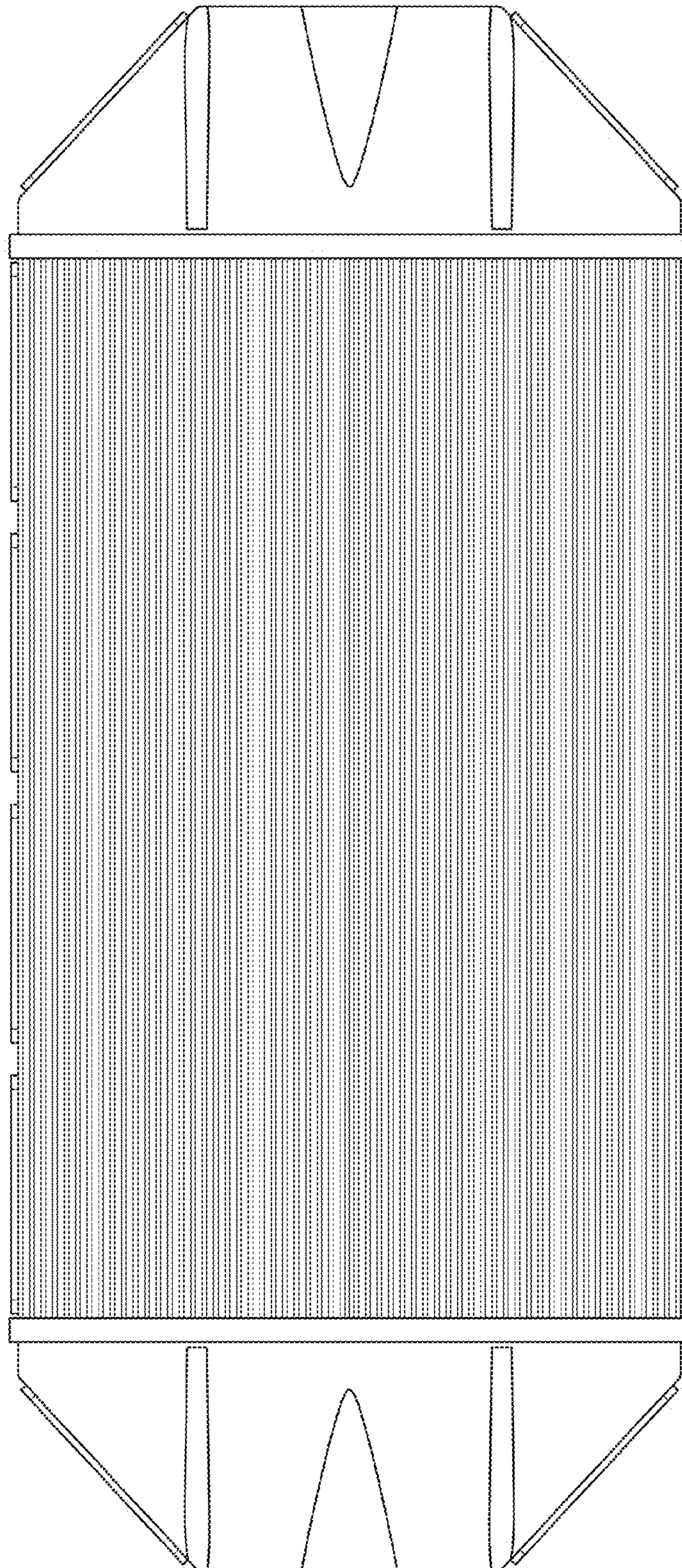


FIG. 10