



US00D753005S

(12) **United States Design Patent**  
**Green**

(10) **Patent No.:** **US D753,005 S**

(45) **Date of Patent:** **\*\* Apr. 5, 2016**

(54) **PET SAFETY LIGHT**

(71) Applicant: **Michael Green**, North Charleston, SC  
(US)

(72) Inventor: **Michael Green**, North Charleston, SC  
(US)

(\*\*) Term: **14 Years**

(21) Appl. No.: **29/519,192**

(22) Filed: **Mar. 3, 2015**

(51) **LOC (10) Cl.** ..... **10-05**

(52) **U.S. Cl.**  
USPC ..... **D10/114.1**

(58) **Field of Classification Search**  
USPC ..... D10/114.1, 114.2, 114.8; D26/38  
CPC ..... G04G 11/00; A01K 27/006  
See application file for complete search history.

(56) **References Cited**

**U.S. PATENT DOCUMENTS**

2,721,257 A *	10/1955	Knox	.....	A01K 27/006
				119/859
D442,714 S *	5/2001	Warden	.....	D26/38
D707,898 S *	6/2014	Ma	.....	D26/38
8,873,343 B2 *	10/2014	Higgins	.....	G04G 11/00
				368/109

\* cited by examiner

*Primary Examiner* — George D Kirschbaum

(74) *Attorney, Agent, or Firm* — B. Craig Killough;  
Barnwell, Whaley, Patterson & Helms

(57) **CLAIM**

The ornamental design for a pet safety light, substantially as shown and described.

**DESCRIPTION**

FIG. 1 is a front perspective view of a pet safety light showing the new design;

FIG. 2 is a top view of the pet safety light in relation to FIG. 1;

FIG. 3 is a bottom view of the pet safety light in relation to FIG. 2;

FIG. 4 is front elevation of the pet safety light shown in FIG. 2;

FIG. 5 is rear elevation of the pet safety light in relation to FIG. 2;

FIG. 6 is a left side view of the pet safety light in relation to FIG. 2;

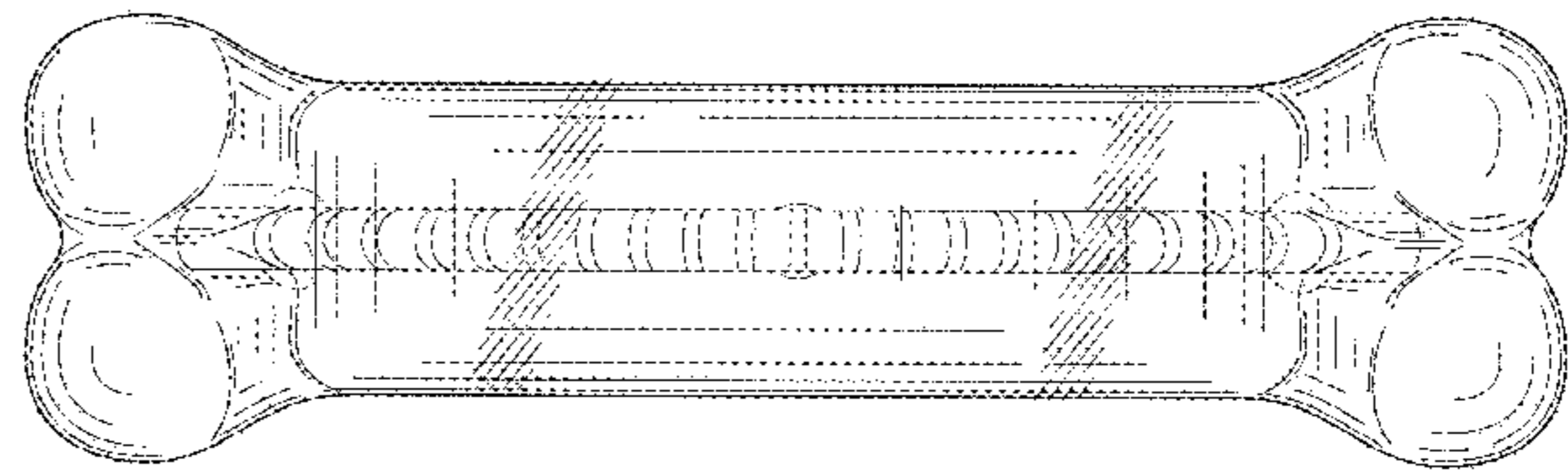
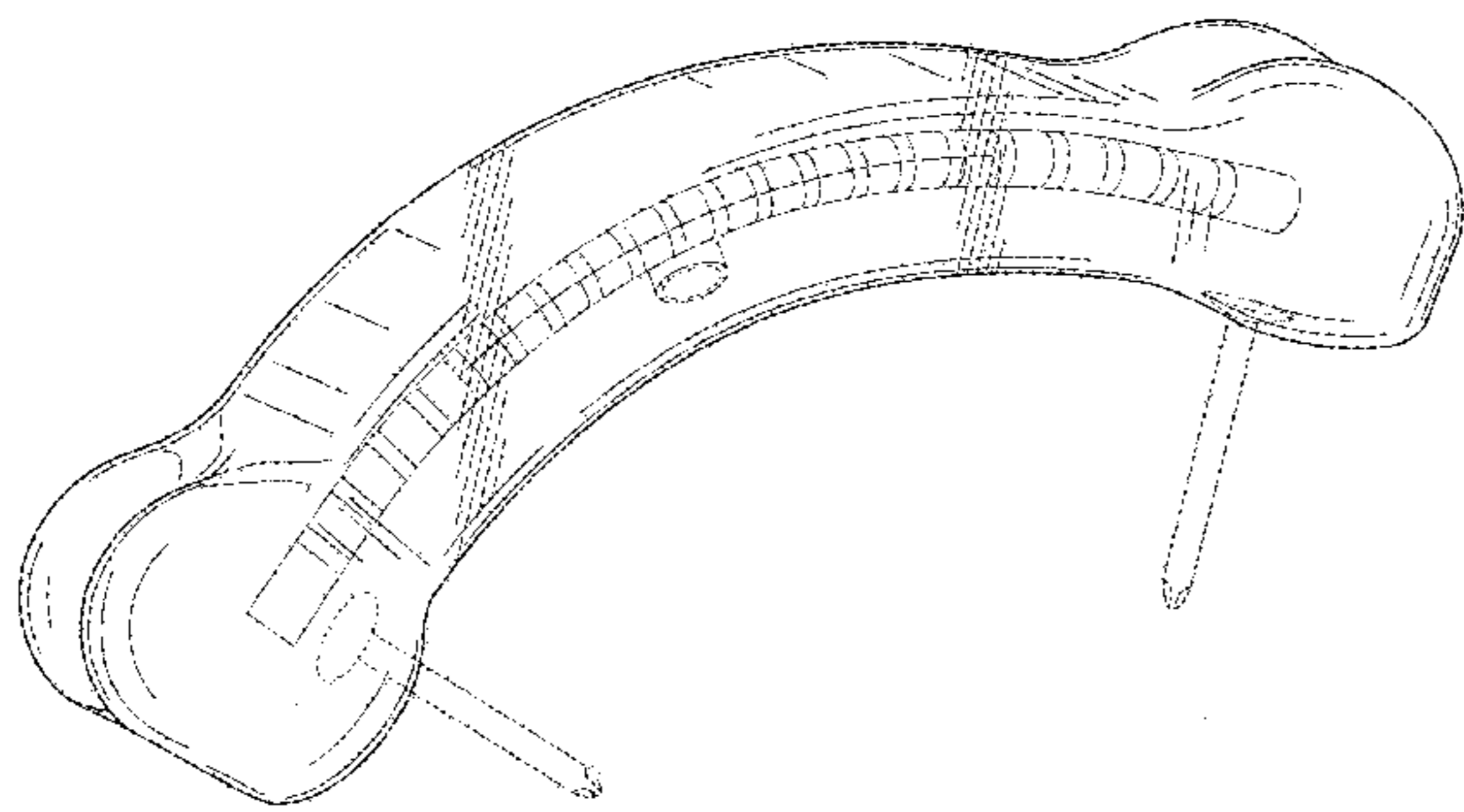
FIG. 7 is a right side view of the pet safety light in relation to FIG. 2;

FIG. 8 is a view of the pet safety light in an environment for use; and,

FIG. 9 is a left side view of the pet safety light in relation to FIG. 8.

The broken lines depict unclaimed environmental subject matter.

**1 Claim, 8 Drawing Sheets**



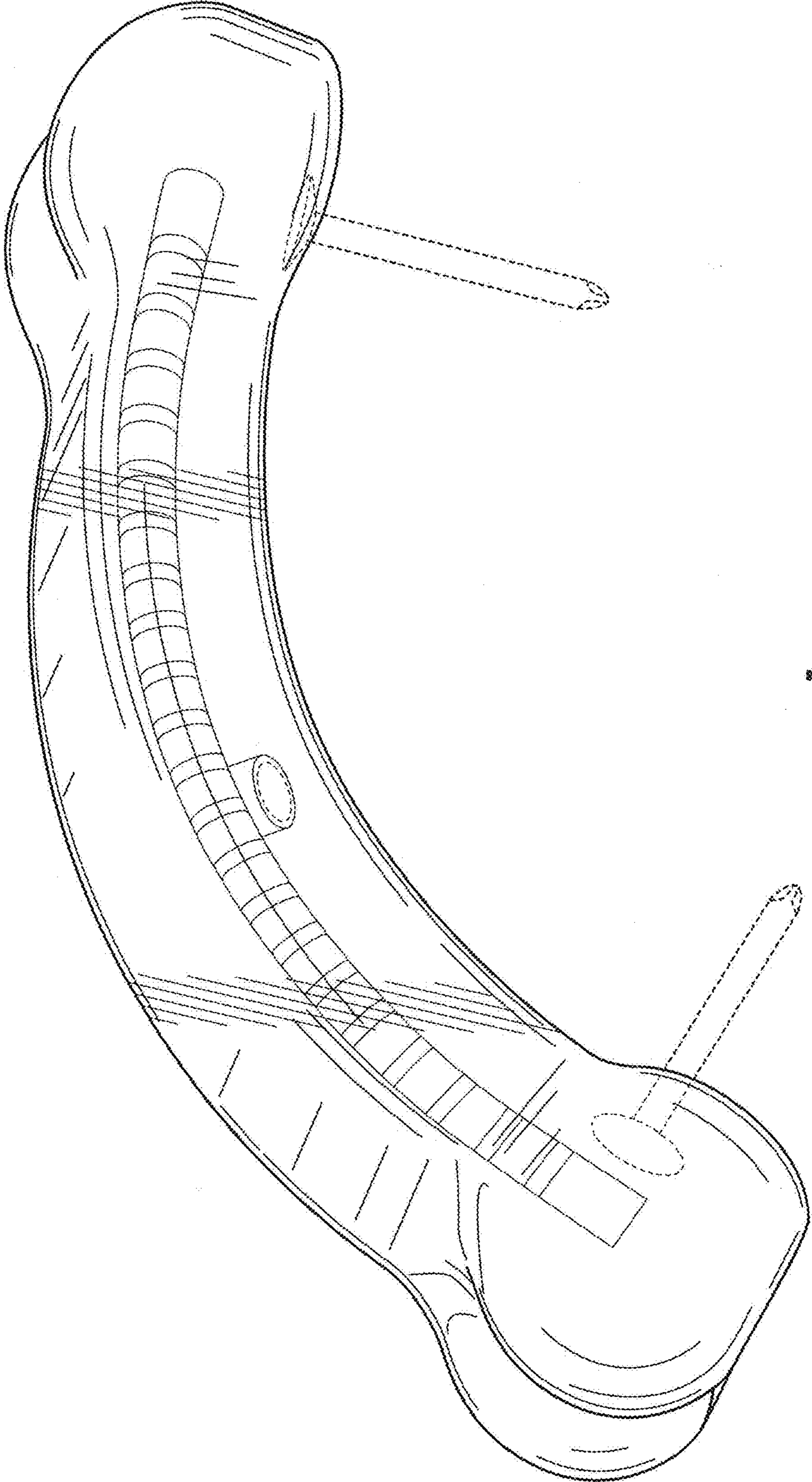


FIG. 1

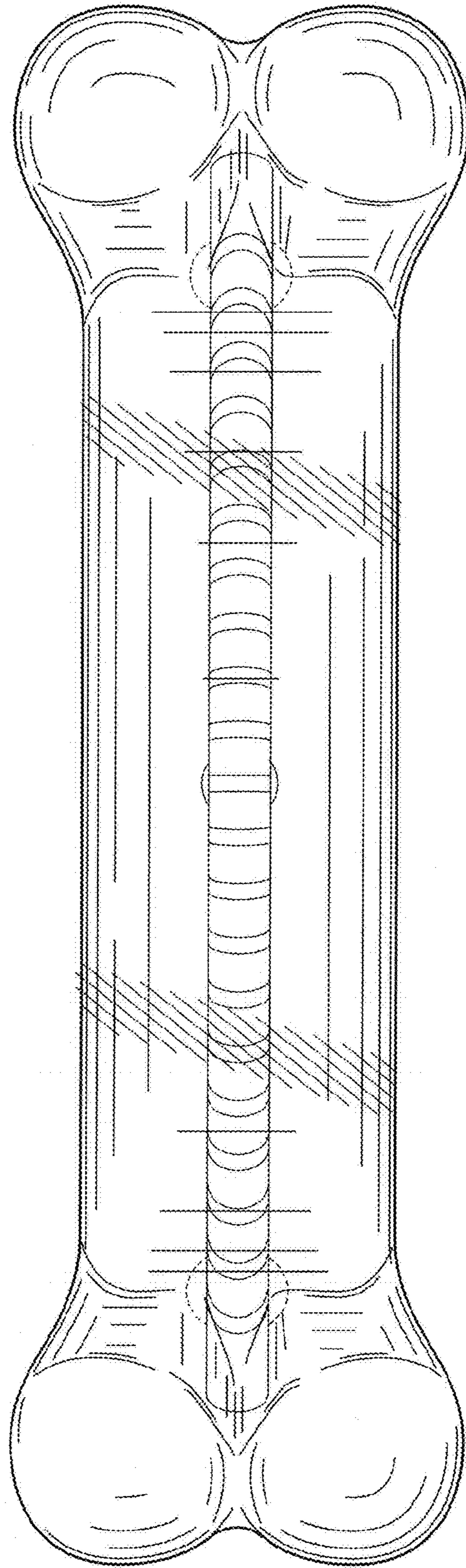


FIG. 2



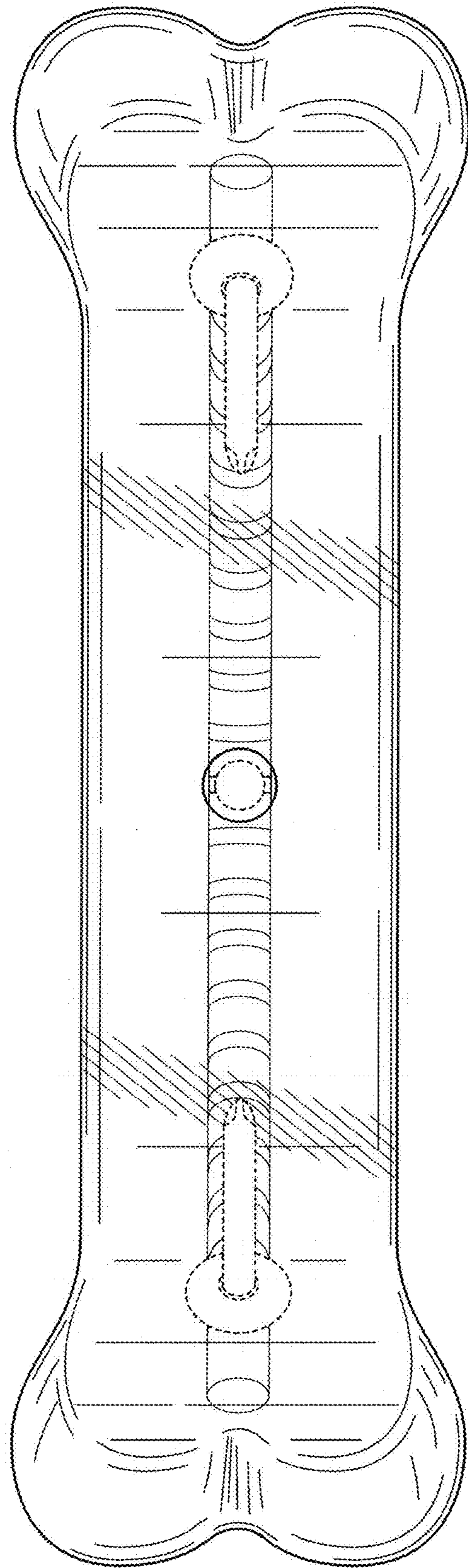


FIG. 3

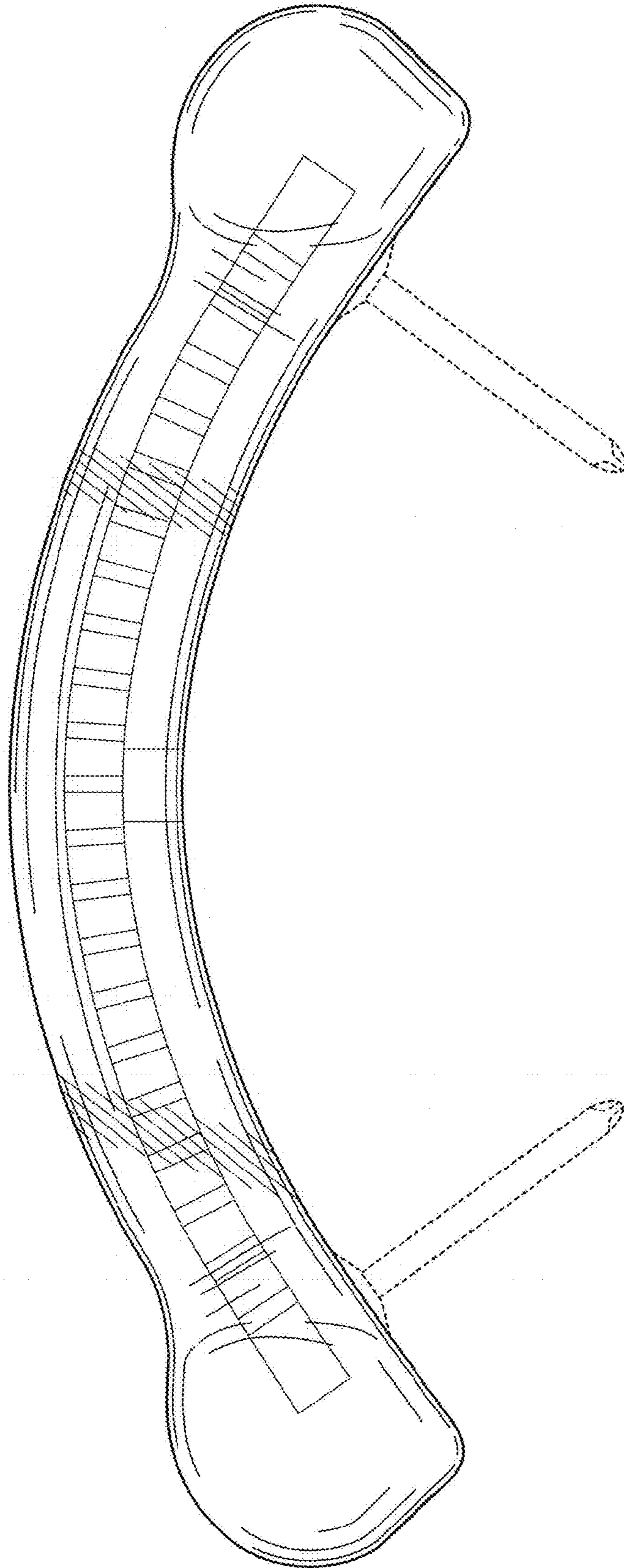


FIG. 4

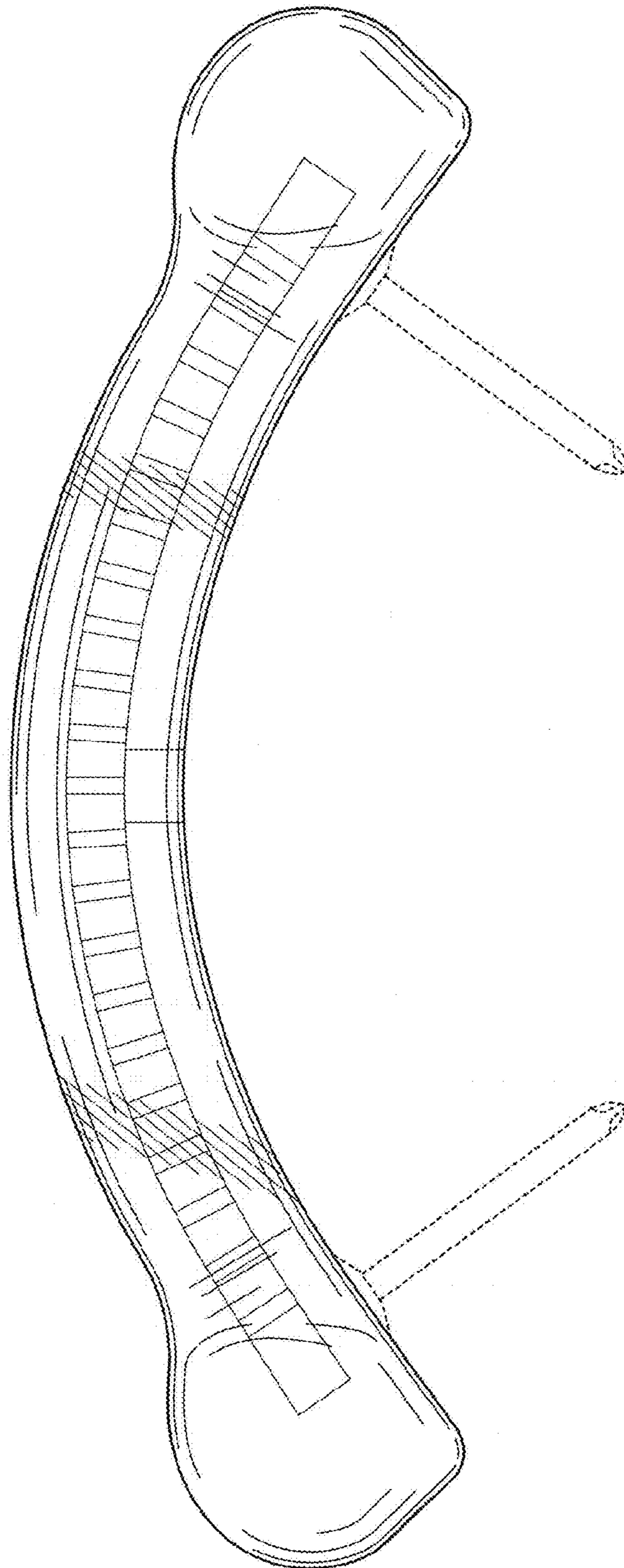


FIG. 5

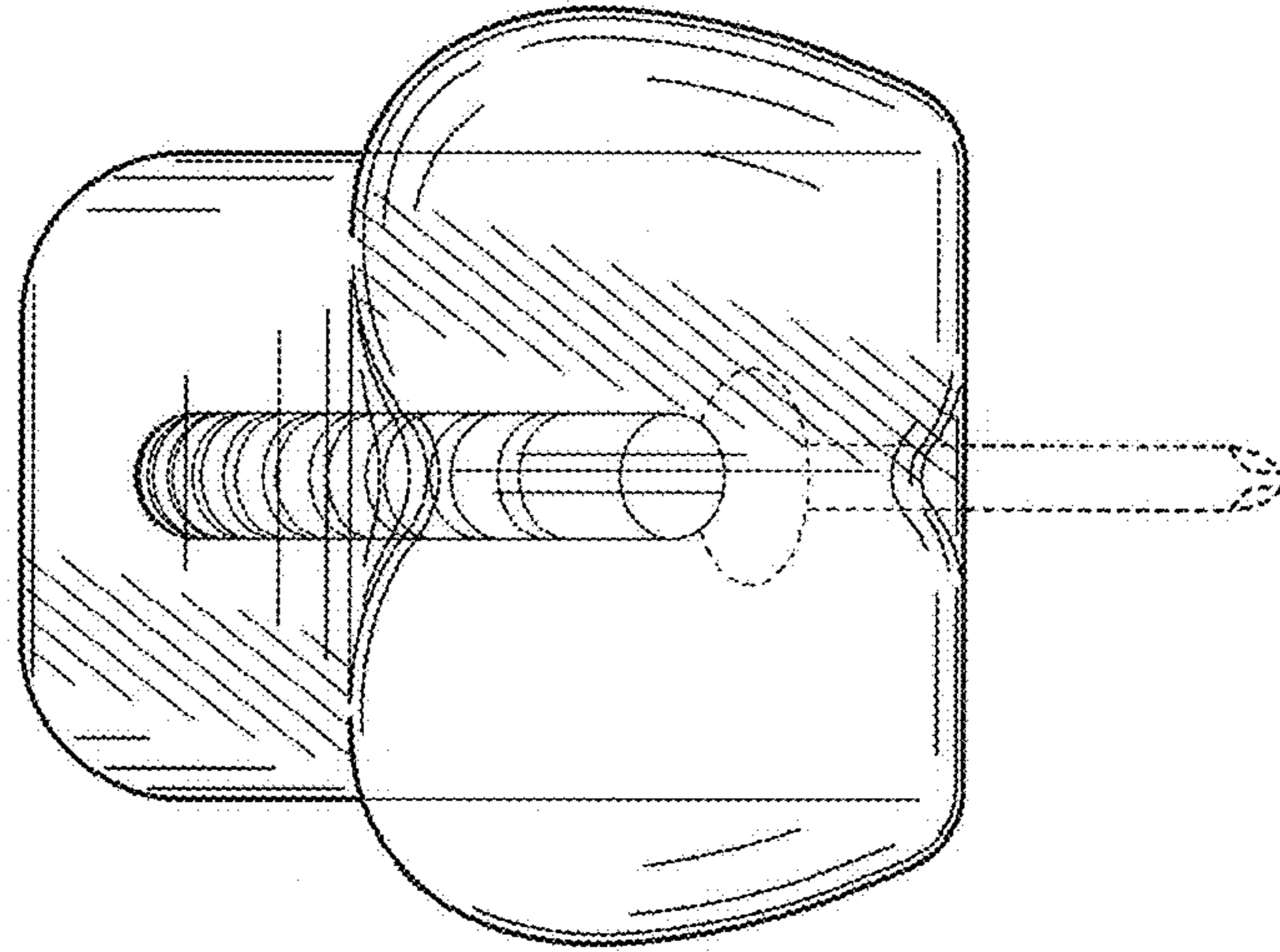


FIG. 6

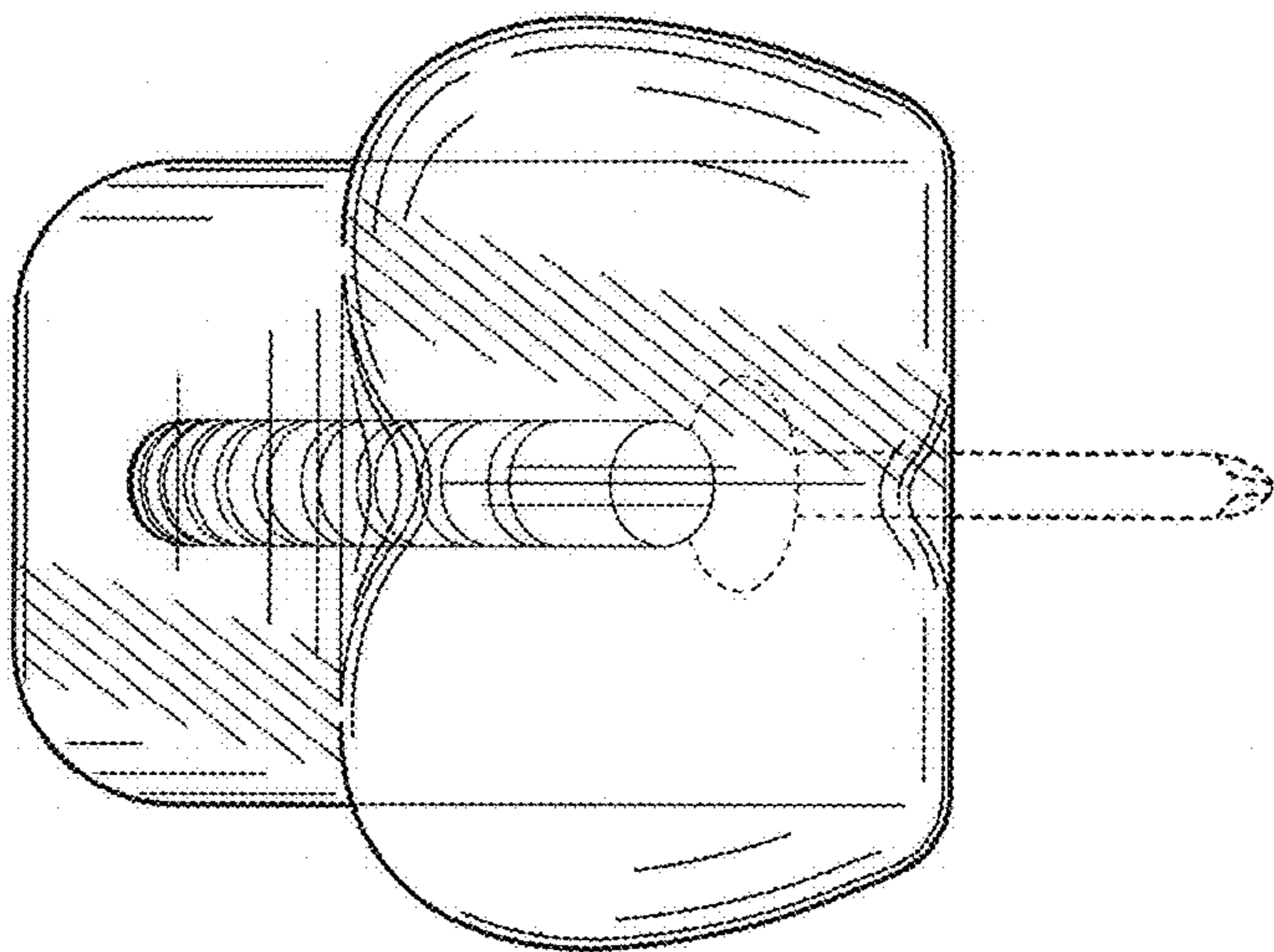


FIG. 7



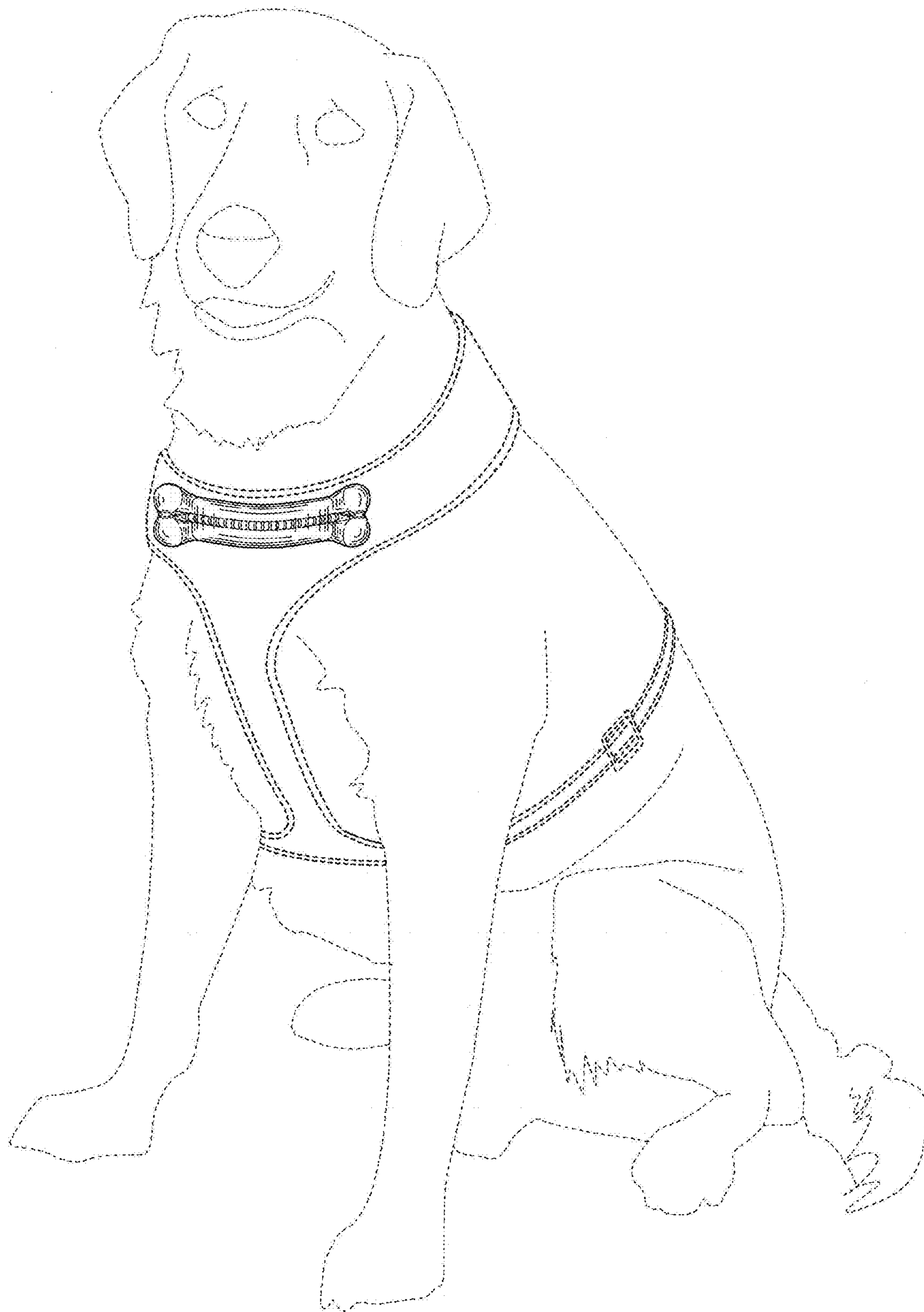


FIG. 8



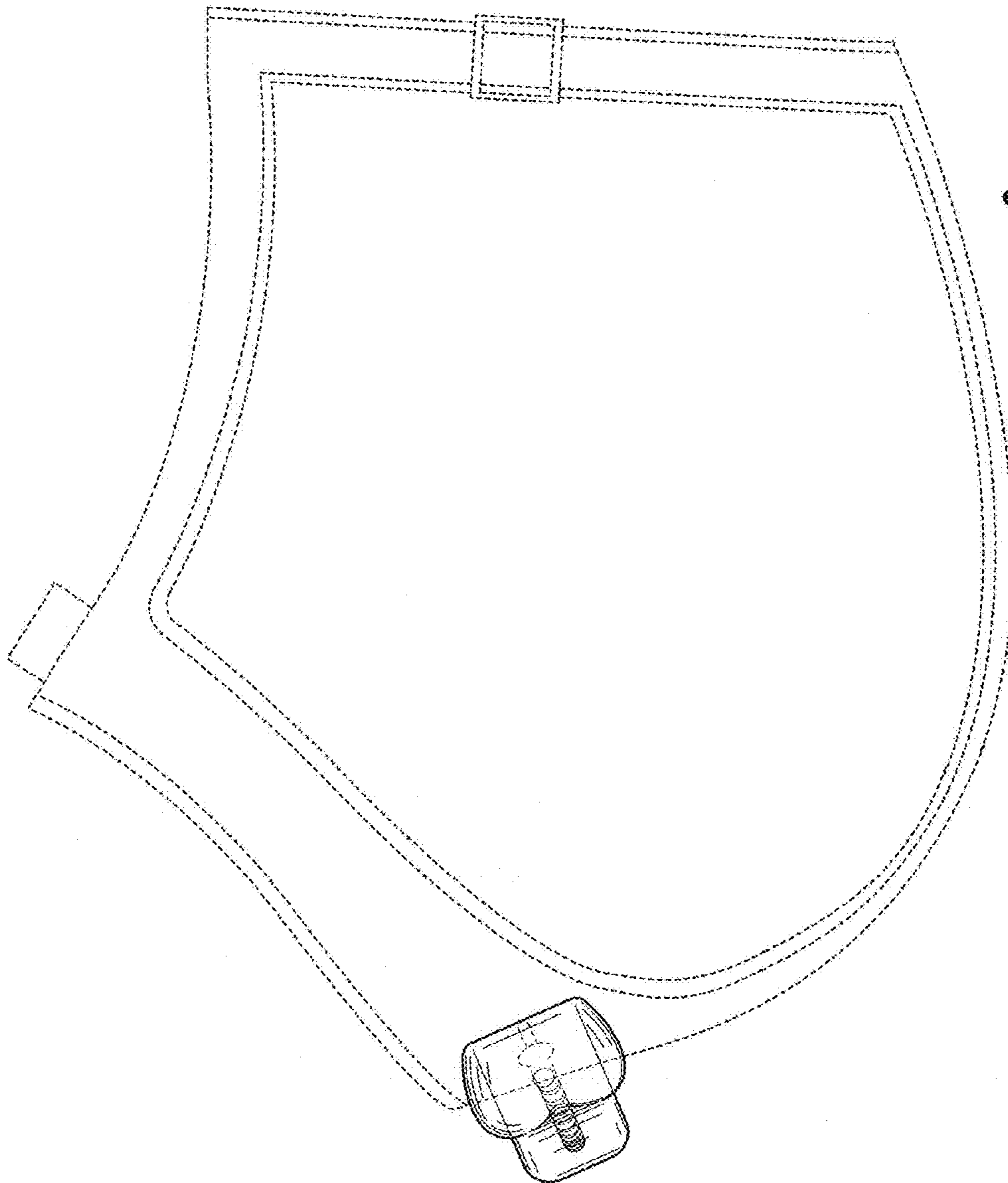


FIG. 9