



US00D753004S

(12) **United States Design Patent**  
**McDade et al.**

(10) **Patent No.:** **US D753,004 S**  
(45) **Date of Patent:** **\*\* Apr. 5, 2016**

(54) **INDICATOR GAUGE**

(71) Applicant: **Yazaki North America, Inc.**, Canton, MI (US)  
(72) Inventors: **Craig Allan McDade**, Livonia, MI (US); **Joshua Joseph Hopersberger**, Livonia, MI (US); **Evan Joseph Hamalainen**, Taylor, MI (US); **Michael Ray Boyd**, Saline, MI (US)  
(73) Assignee: **YAZAKI NORTH AMERICA, INC.**, Canton, MI (US)

(\*\*) Term: **14 Years**

(21) Appl. No.: **29/514,868**

(22) Filed: **Jan. 16, 2015**

(51) **LOC (10) Cl.** ..... **10-04**

(52) **U.S. Cl.**  
USPC ..... **D10/102; D10/103**

(58) **Field of Classification Search**  
USPC ..... D10/102, 103, 126, 132; D13/162, D13/162.1, 177; D14/257, 388; 341/12; 345/104, 156, 168, 173-178, 905; 348/180, 184, 325, 739, 790-794, 836; 349/1, 2, 11, 12, 58-60  
CPC ..... B60N 2/0232; B60N 2002/0236; B60K 35/00; B60K 2350/00-2350/967; B60K 37/00-37/06; G01P 1/08; G01D 5/145; G01D 11/24; G01D 11/245; G01D 4/00-4/08; G01F 1/06-1/125

See application file for complete search history.

(56) **References Cited**

U.S. PATENT DOCUMENTS

D486,748 S *	2/2004	Cain	.....	D10/102
7,248,175 B2 *	7/2007	Wu	.....	B60K 35/00 340/438
D659,043 S *	5/2012	Moritz	.....	D10/126
8,183,857 B2 *	5/2012	Tanaka	.....	B62D 15/0215 324/207.2
9,148,043 B2 *	9/2015	Jang	.....	G01P 1/026

\* cited by examiner

*Primary Examiner* — Antoine D Davis

(74) *Attorney, Agent, or Firm* — Remarck Law Group PLC

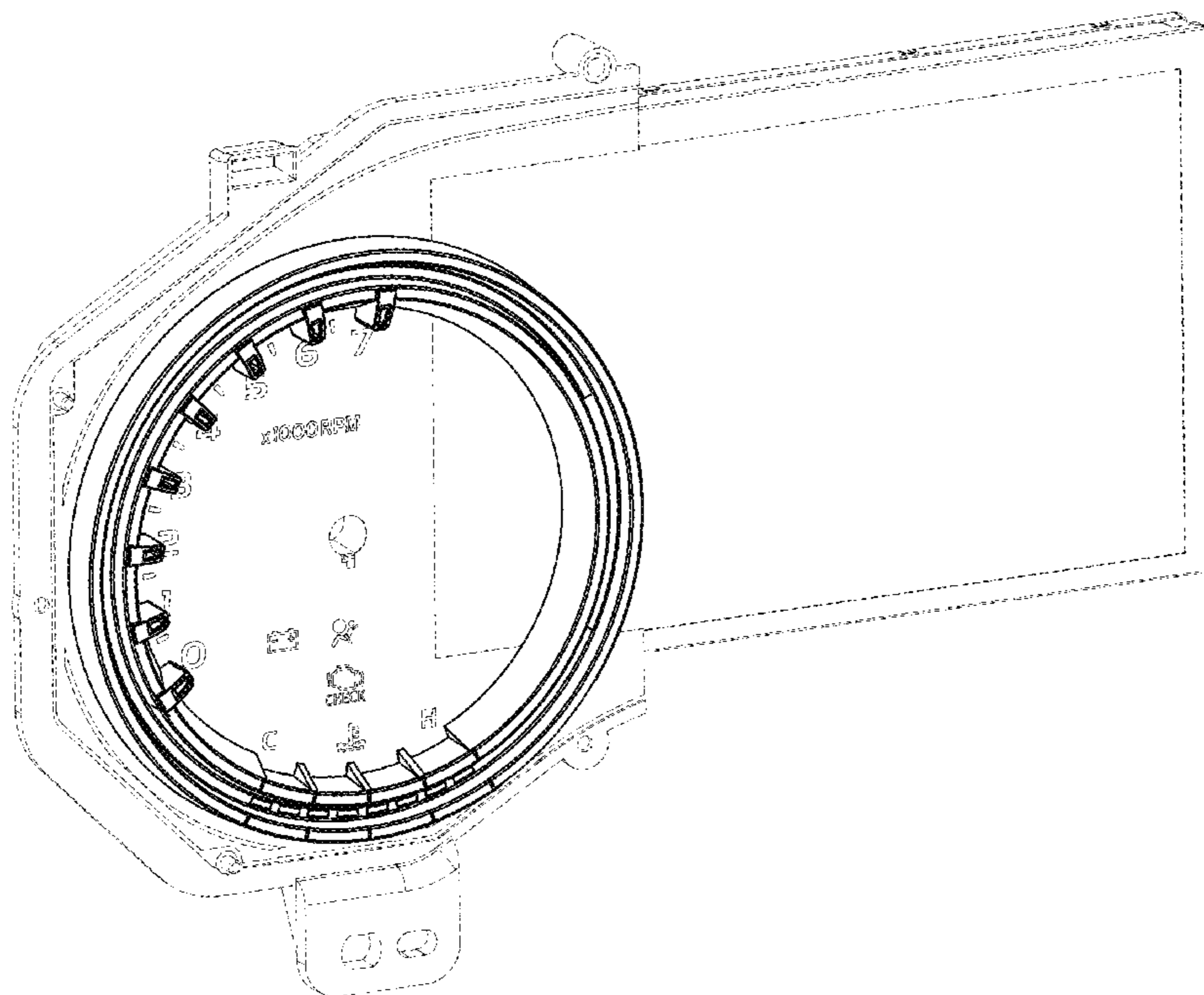
(57) **CLAIM**

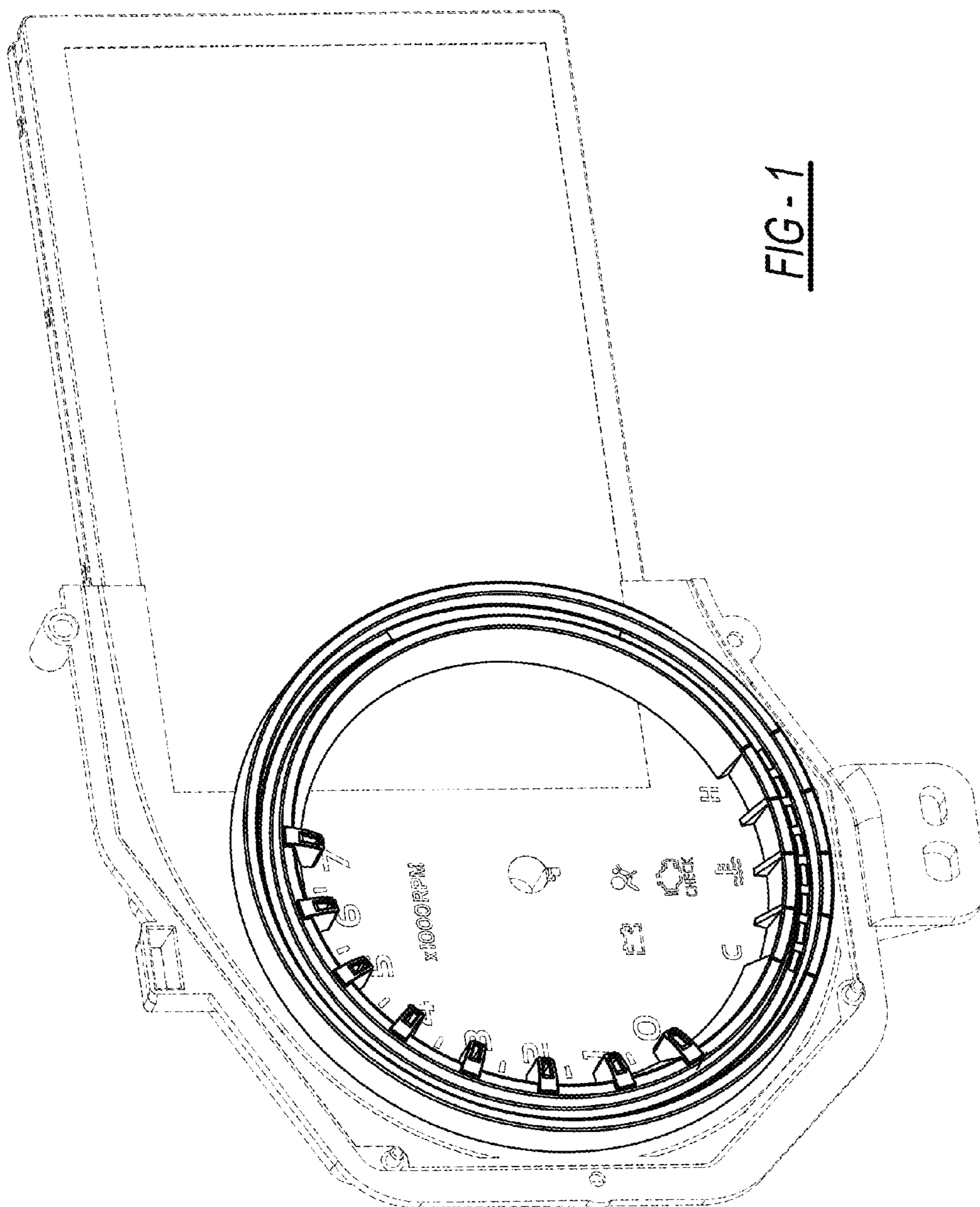
The ornamental design for an indicator gauge, as shown and described.

**DESCRIPTION**

FIG. 1 is a perspective view of a front of an indicator gauge showing my new design;  
FIG. 2 is a front side view of the indicator gauge of FIG. 1;  
FIG. 3 is a right side view of the indicator gauge of FIG. 1;  
FIG. 4 is a left side view of the indicator gauge of FIG. 1;  
FIG. 5 is a top side view of the indicator gauge of FIG. 1;  
FIG. 6 is a bottom side view of the indicator gauge of FIG. 1;  
and,  
FIG. 7 is a rear side view of the indicator gauge of FIG. 1.  
The broken line showing of portions of an indicator gauge is included for the purpose of illustrating environmental structure and forms no part of the claimed design.

**1 Claim, 5 Drawing Sheets**





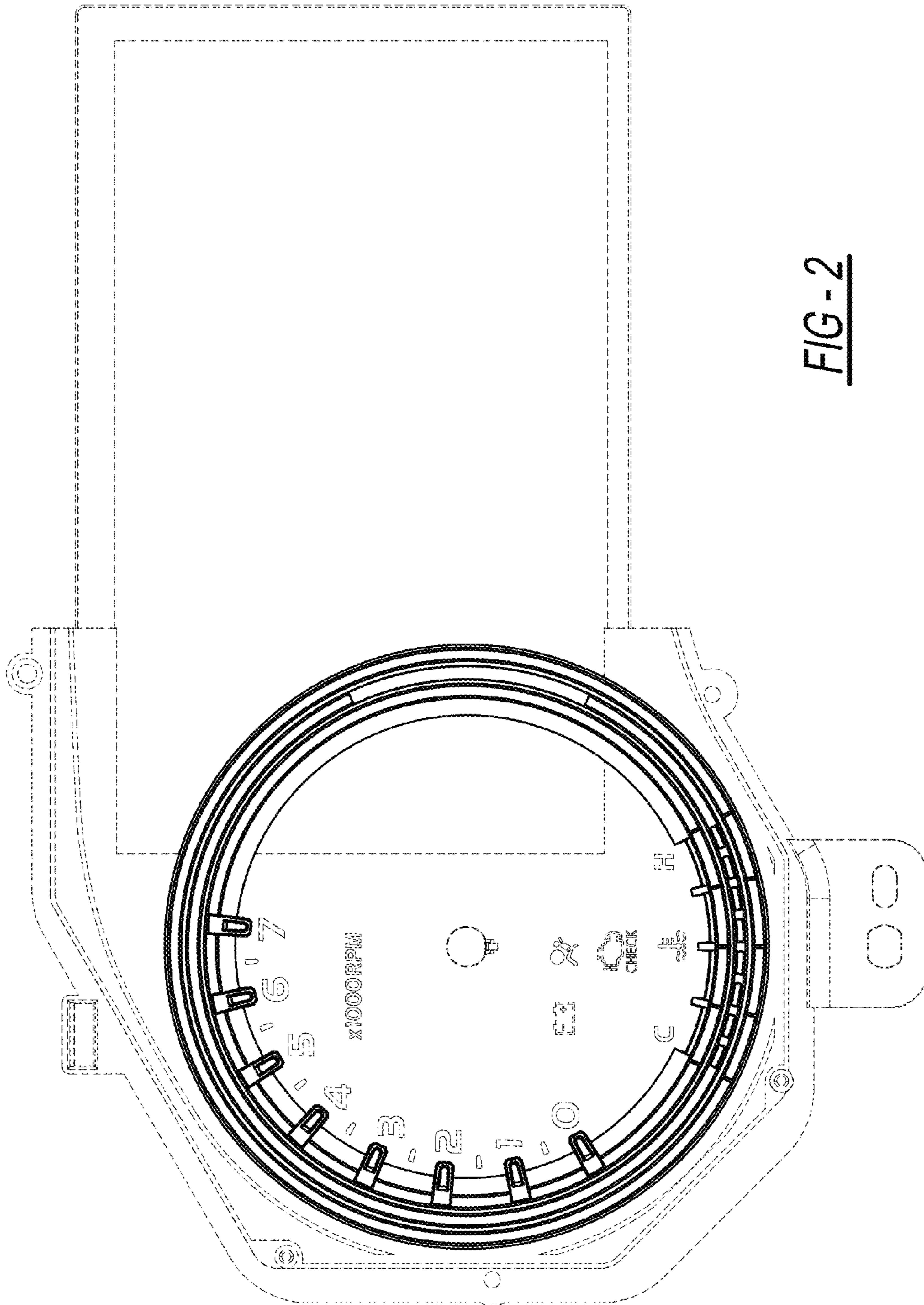


FIG - 2



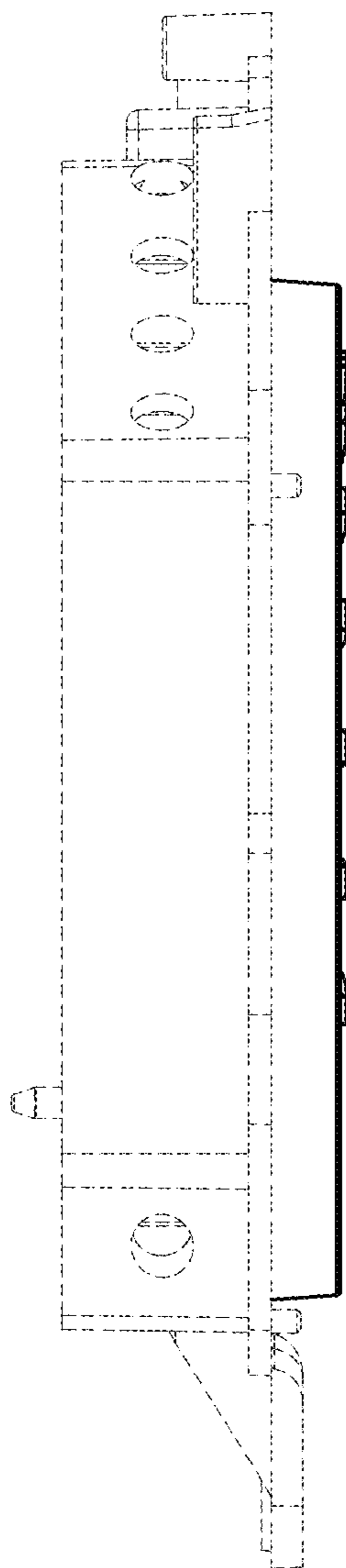


FIG - 3

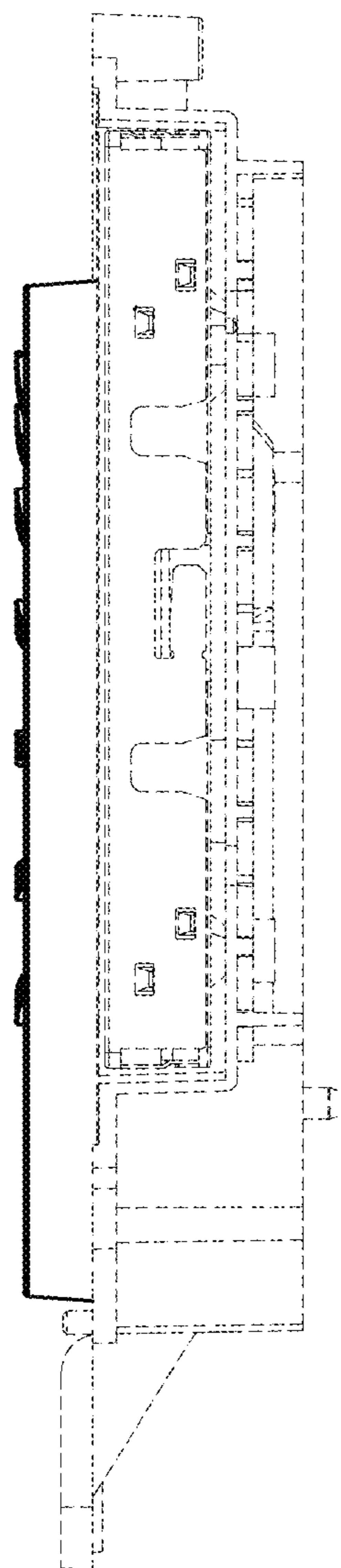


FIG - 4

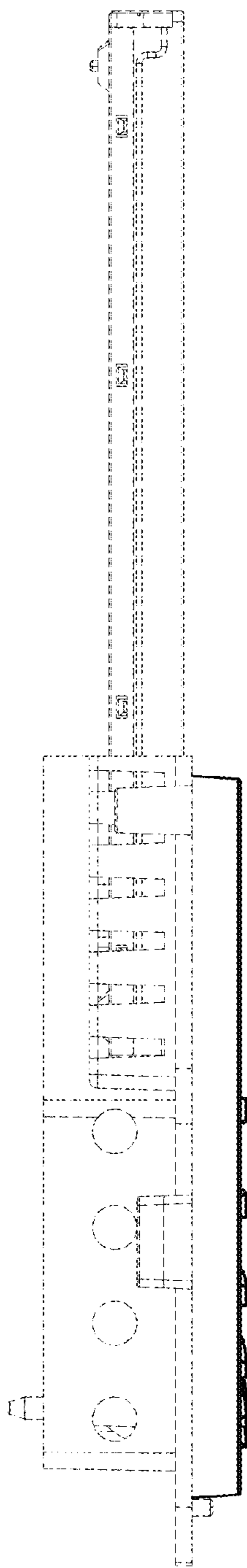


FIG-5

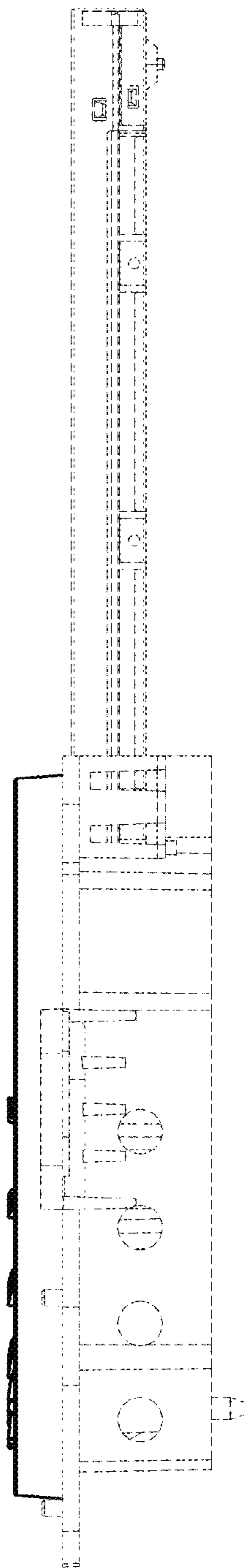


FIG-6

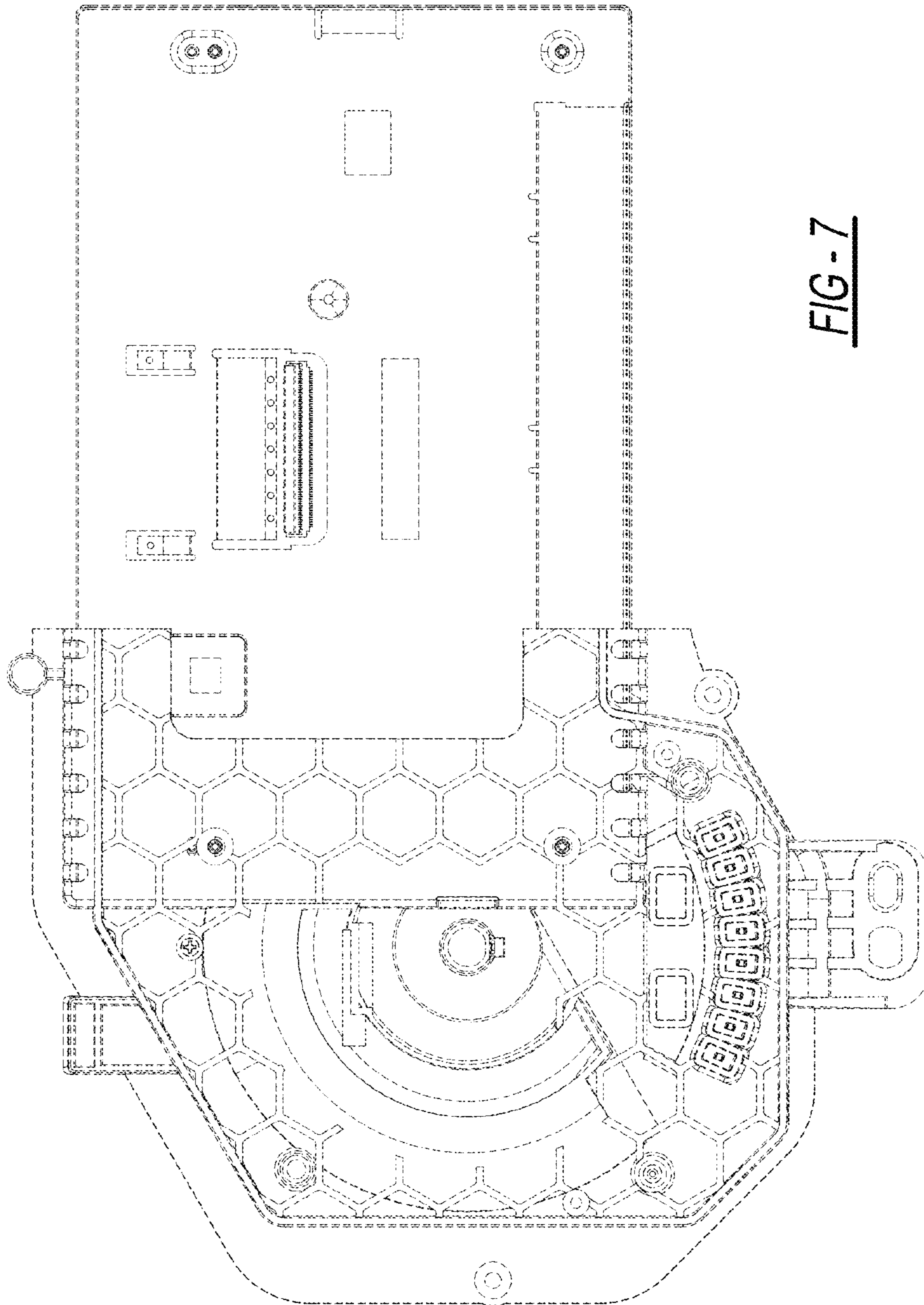


FIG-7