

US00D753001S

(12) **United States Design Patent**
DeLeo

(10) **Patent No.:** **US D753,001 S**
(45) **Date of Patent:** **** Apr. 5, 2016**

(54) **CHALK REEL**

(71) Applicant: **Irwin Industrial Tool Company,**
Huntersville, NC (US)

(72) Inventor: **Anthony Michael DeLeo,** Portage, MI
(US)

(73) Assignee: **Irwin Industrial Tool Company,**
Huntersville, NC (US)

(**) Term: **14 Years**

(21) Appl. No.: **29/514,415**

(22) Filed: **Jan. 12, 2015**

(51) **LOC (10) Cl.** **10-04**

(52) **U.S. Cl.**
USPC **D10/72**

(58) **Field of Classification Search**
USPC D10/72
CPC B44D 3/38
See application file for complete search history.

(56) **References Cited**

U.S. PATENT DOCUMENTS

3,311,319 A	3/1967	Campbell	
D209,774 S *	1/1968	Fedoruk	D10/72
3,438,595 A	4/1969	Brown et al.	
3,888,010 A	6/1975	De Jong et al.	
4,143,462 A *	3/1979	Gertz	B44D 3/38
			33/27.03
4,192,078 A *	3/1980	Lore	B44D 3/38
			33/414
4,565,011 A *	1/1986	Karger	B44D 3/38
			242/375
D334,717 S *	4/1993	Evans, Jr.	D10/65
5,212,875 A	5/1993	Corso	
5,444,919 A	8/1995	Alves	
5,465,494 A	11/1995	Johnston	
5,470,029 A	11/1995	Dufour	
5,493,787 A	2/1996	Owens	
5,509,616 A	4/1996	Millen	
D371,941 S *	7/1996	Kind	D10/72

5,644,852 A	7/1997	Fuller et al.	
5,683,055 A	11/1997	Dufour	
5,699,622 A	12/1997	Umbro	
5,727,324 A	3/1998	Moore	
5,822,874 A	10/1998	Nemes	
5,920,997 A	7/1999	Girtman	
D418,072 S *	12/1999	Calelo	D10/72
6,044,568 A	4/2000	Raymond	
6,079,112 A	6/2000	Love	
6,082,014 A	7/2000	Beyers	
6,098,299 A	8/2000	Collins	
6,138,370 A	10/2000	Rolfe	
6,167,632 B1	1/2001	Shor	
D445,045 S *	7/2001	Olson	D10/72
6,289,597 B1	9/2001	Beyers	
6,345,448 B1	2/2002	Chontos	
6,393,709 B1	5/2002	Jones	

(Continued)

OTHER PUBLICATIONS

Design U.S. Appl. No. 29/514,414, filed Jan. 12, 2015, entitled
"Chalk Reel," Inventor: Anthony Michael DeLeo.

Primary Examiner — Antoine D Davis

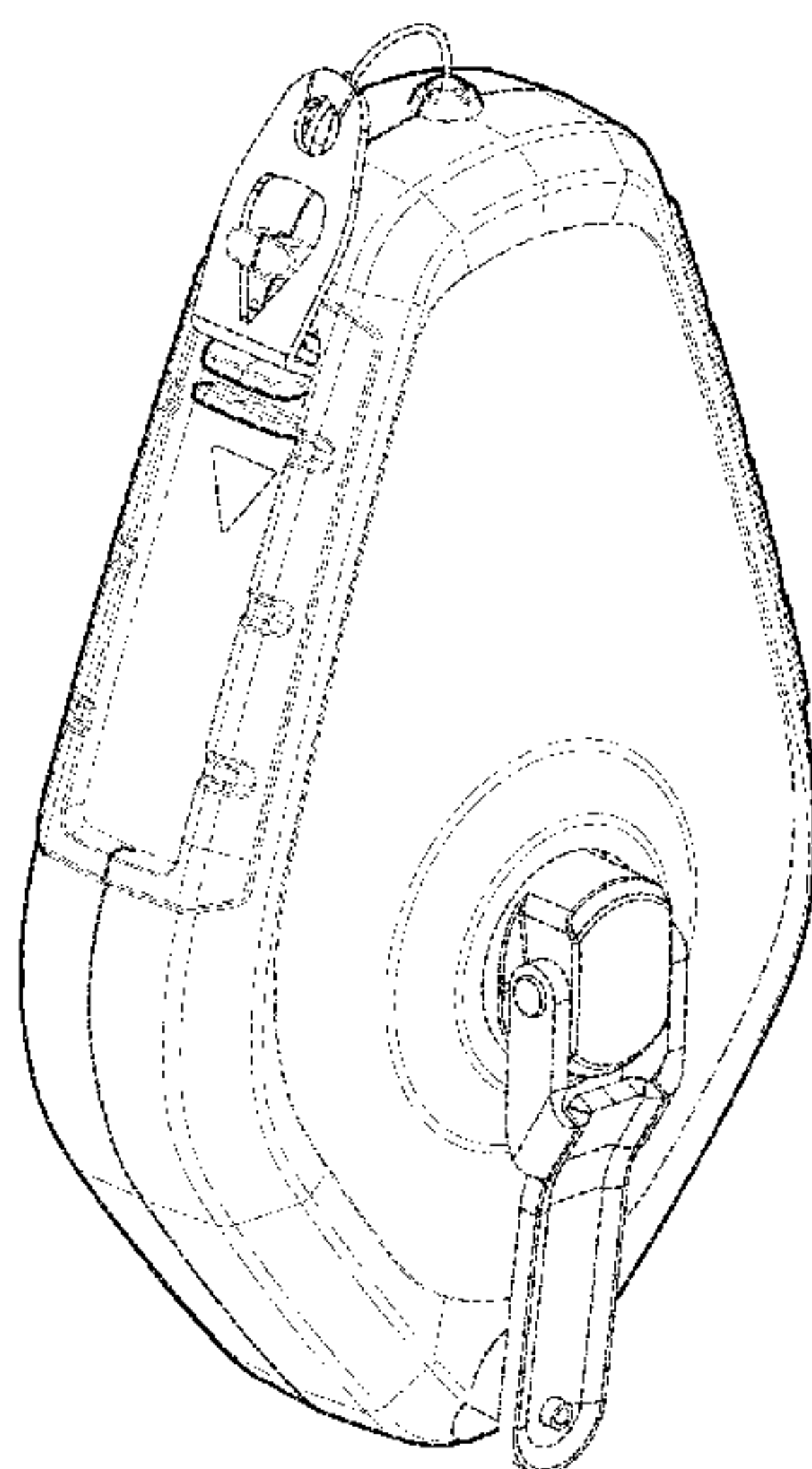
(57) **CLAIM**

The ornamental design for a "chalk reel," as shown and described.

DESCRIPTION

FIG. 1 is a perspective view of a chalk reel in a closed orientation, showing our new design; FIG. 2 is a front view thereof; FIG. 3 is a rear view thereof; FIG. 4 is a right side view thereof; FIG. 5 is a left side view thereof; FIG. 6 is a top view thereof; FIG. 7 is a bottom view thereof; and, FIG. 8 is a perspective view of the chalk reel in an open orientation. The subject matter shown in dashed lines is for illustrative purposes and forms no part of the claimed design.

1 Claim, 7 Drawing Sheets



(56)

References Cited

U.S. PATENT DOCUMENTS

6,415,519 B1	7/2002	Bennett	7,200,949 B2	4/2007	Leslie
6,434,843 B1	8/2002	Shor	7,231,722 B2	6/2007	Hickey
6,470,581 B1	10/2002	Kolodzieski	7,299,558 B2	11/2007	Wang
6,484,412 B1	11/2002	Donaldson et al.	7,311,283 B2	12/2007	Whitney
6,487,783 B1	12/2002	Thomas	7,331,116 B1	2/2008	Johnston
6,678,961 B1	1/2004	Panahi	7,367,130 B2	5/2008	Vary
6,705,018 B2	3/2004	Guhse	7,389,593 B2	6/2008	Perazio
D490,329 S *	5/2004	Glessman D10/65	7,469,482 B2	12/2008	Hickey
6,745,485 B2	6/2004	Shor	7,478,484 B2	1/2009	Nepil
6,789,329 B1	9/2004	Hester	7,506,454 B1	3/2009	Balliet
6,826,845 B2	12/2004	Pritchard	7,536,799 B2	5/2009	Nepil
6,895,679 B2	5/2005	Dekort	7,536,800 B2	5/2009	Nepil
6,915,587 B1	7/2005	Scillia	7,624,509 B2	12/2009	Hanson
6,931,742 B1	8/2005	VanWinkle	7,676,941 B2	3/2010	Cruz
6,931,743 B1	8/2005	Scarborough	7,681,826 B2	3/2010	Whitney
6,944,962 B2	9/2005	Tessel	7,707,734 B2	5/2010	Alexander
6,957,495 B1	10/2005	Schmillen	7,735,231 B2	6/2010	Schardt
6,964,109 B1	11/2005	Bond	7,739,805 B2	6/2010	Vary
7,028,411 B1	4/2006	Kasche	7,770,300 B2	8/2010	Johnson
7,051,446 B2	5/2006	Moss	RE41,620 E	9/2010	Scillia
D525,156 S *	7/2006	Baugh D10/72	7,908,754 B2	3/2011	Fritsch
7,197,831 B2	4/2007	Nepil	7,913,408 B2	3/2011	Grisham
7,197,832 B2	4/2007	Bond	7,913,409 B2	3/2011	Wilson
			8,033,029 B2	10/2011	Johnston
			8,533,966 B2	9/2013	Mikhaylenko
			8,567,079 B2	10/2013	Cerwin

* cited by examiner

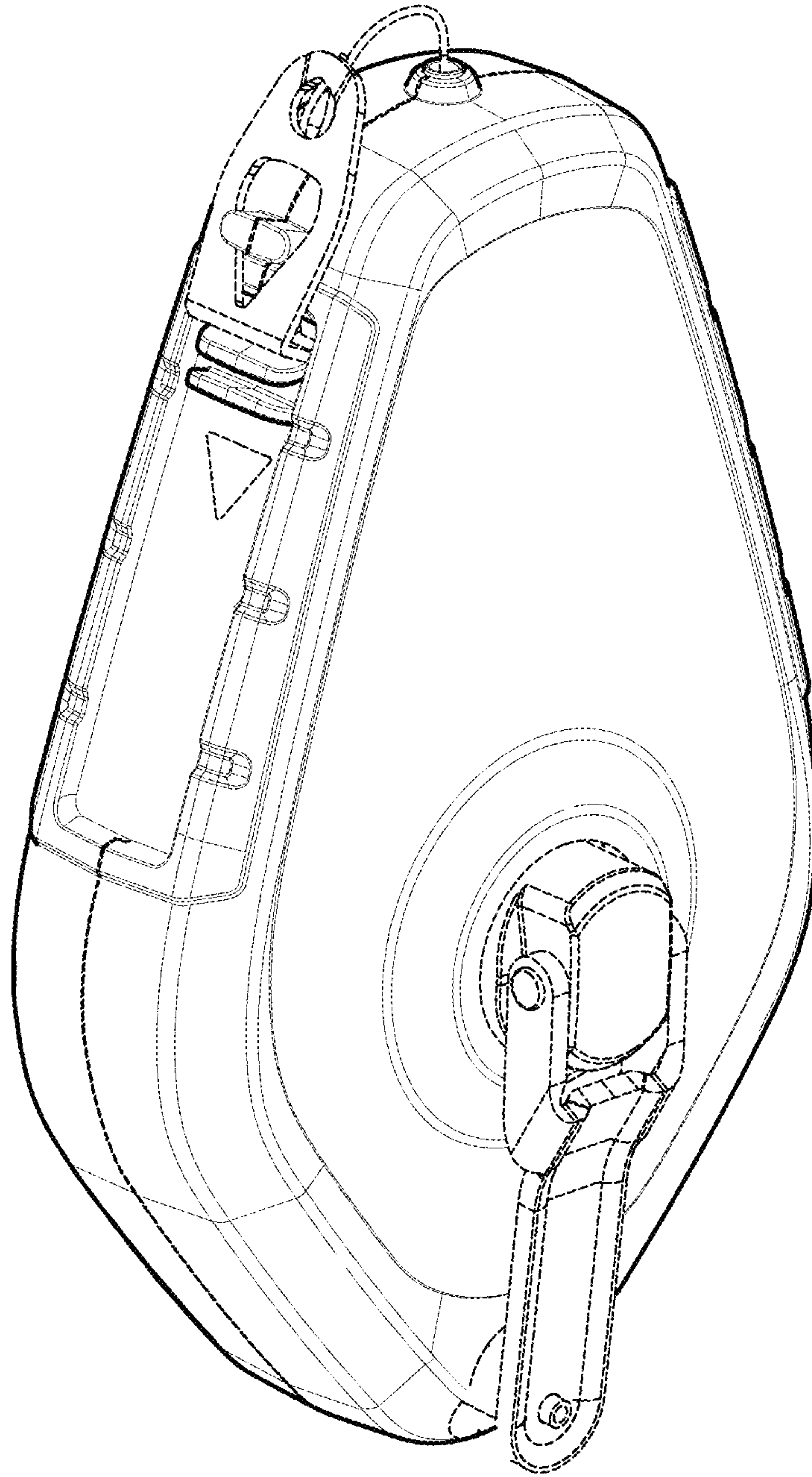


FIG. 1

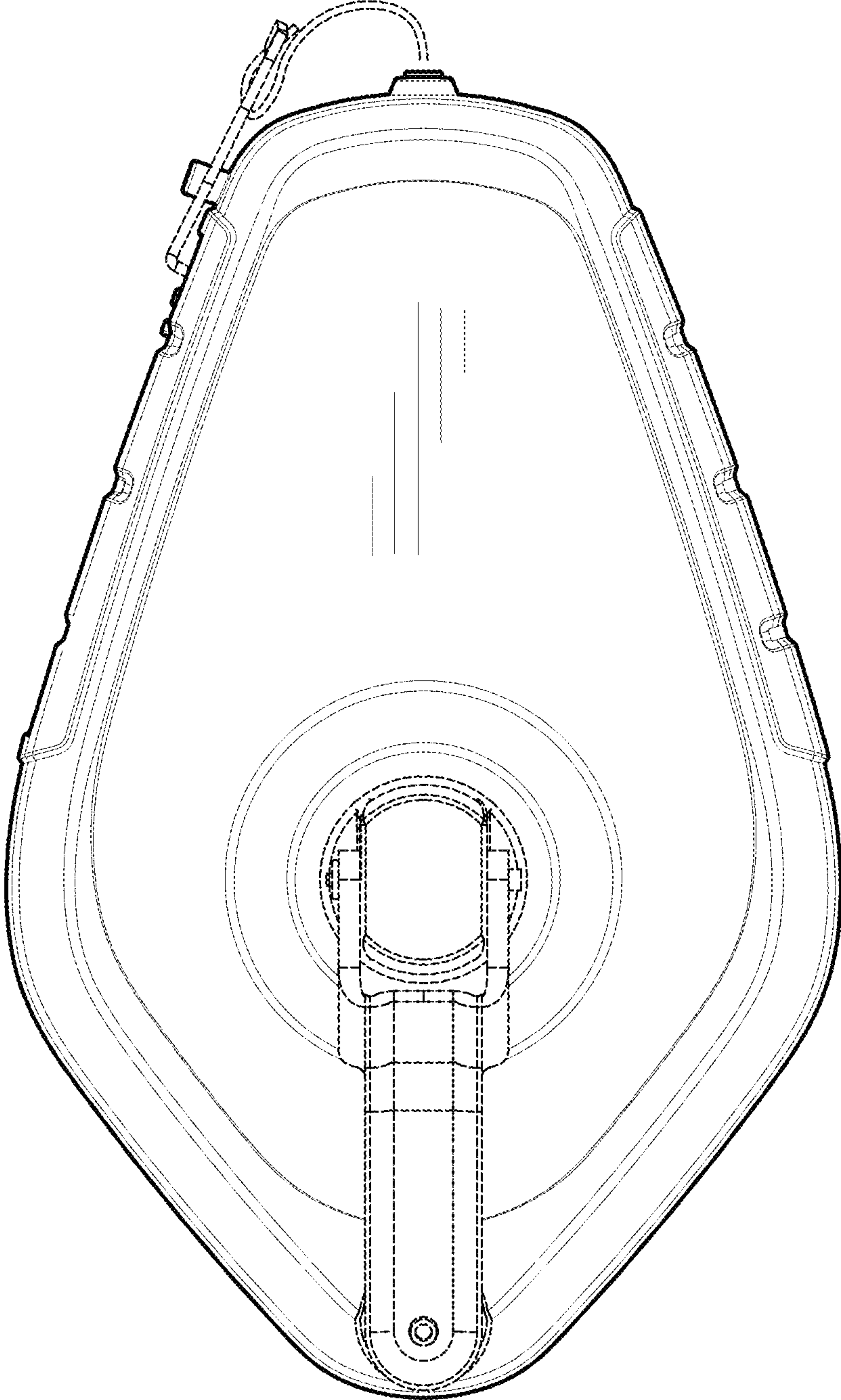


FIG. 2

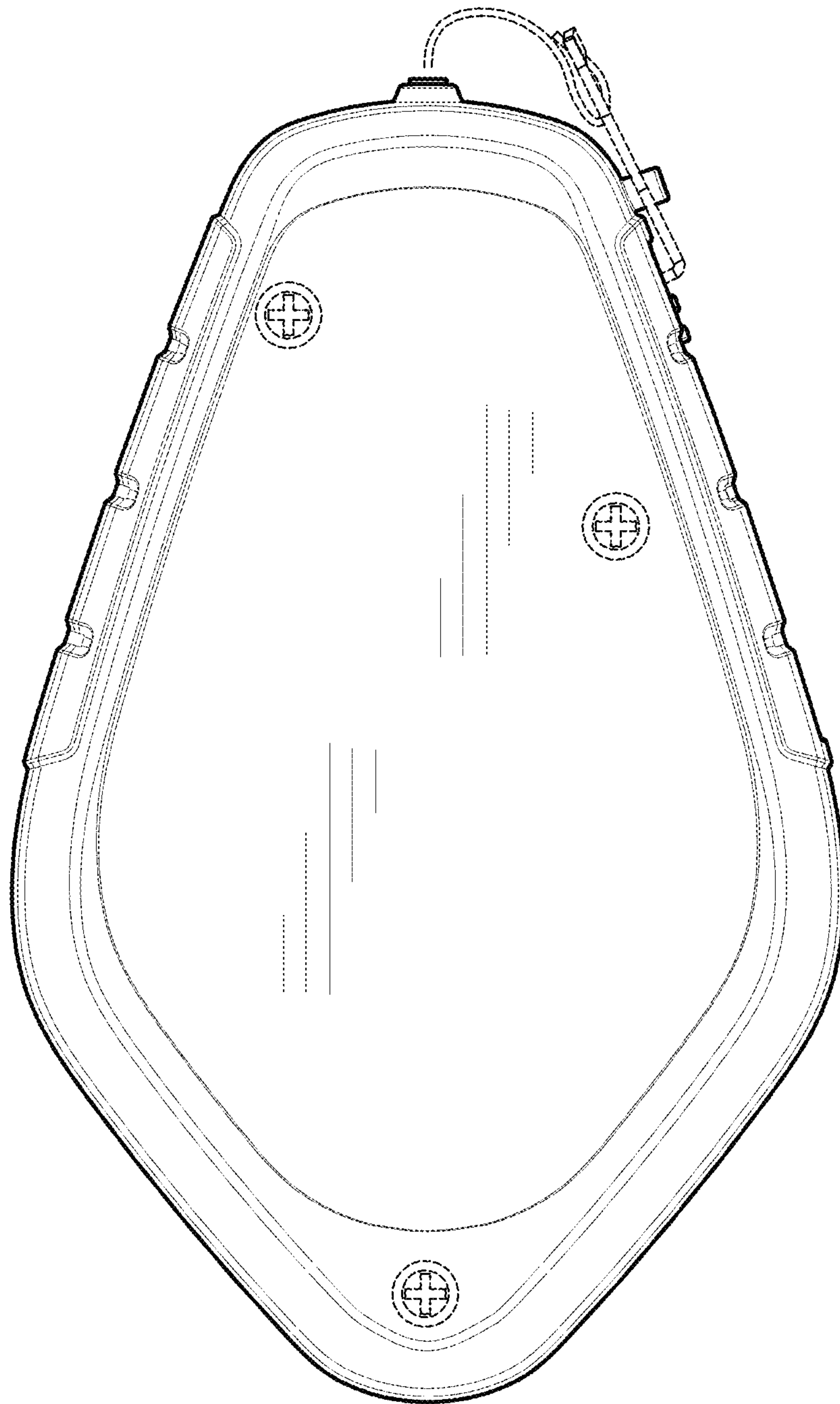


FIG. 3

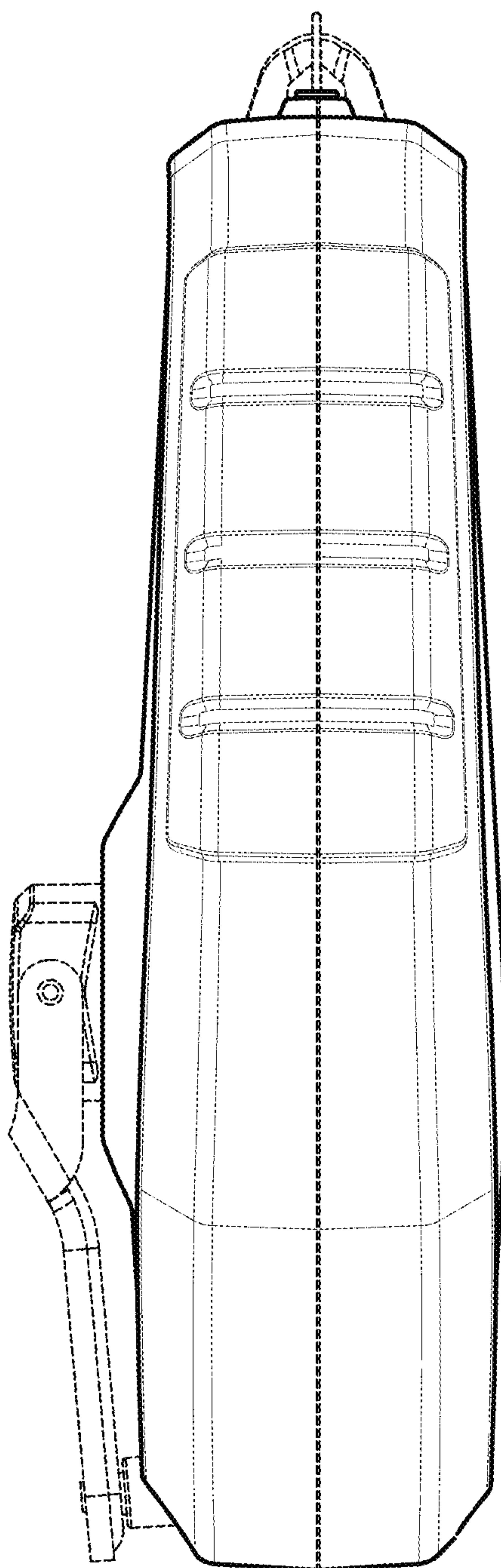


FIG. 4

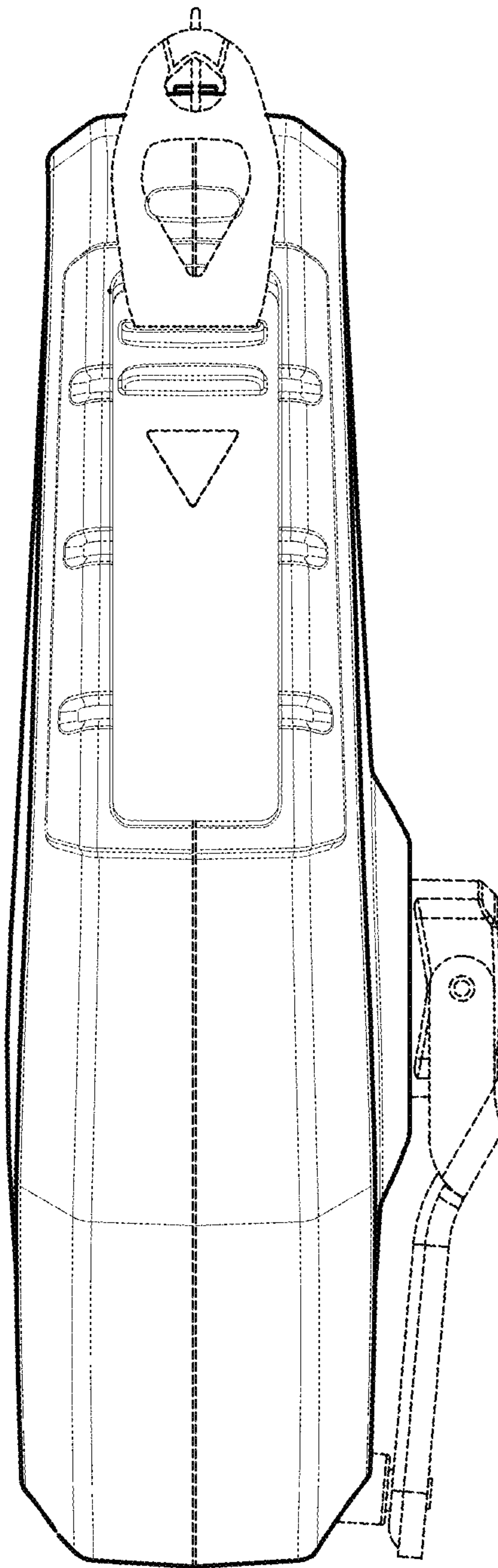


FIG. 5

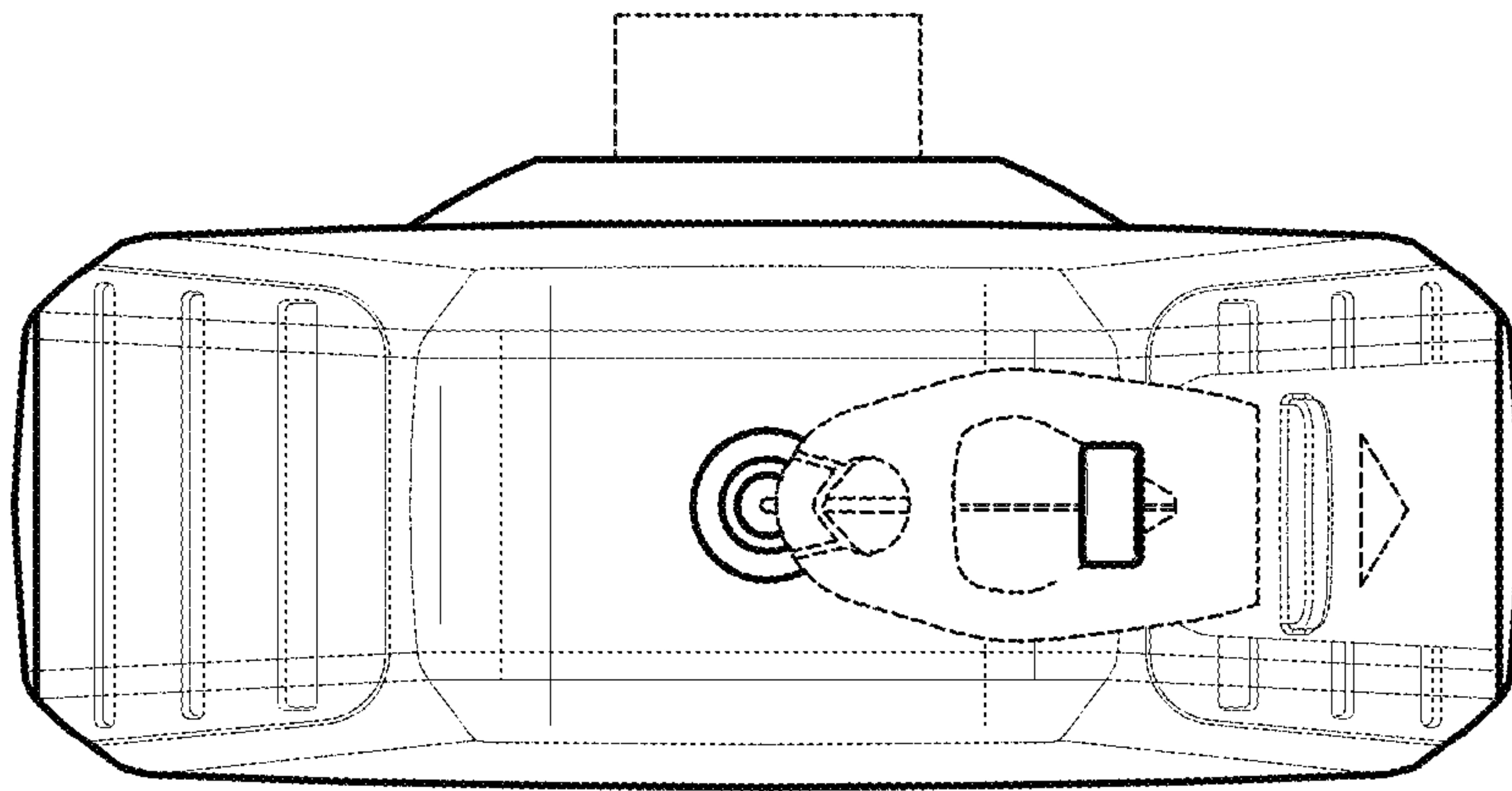


FIG. 6

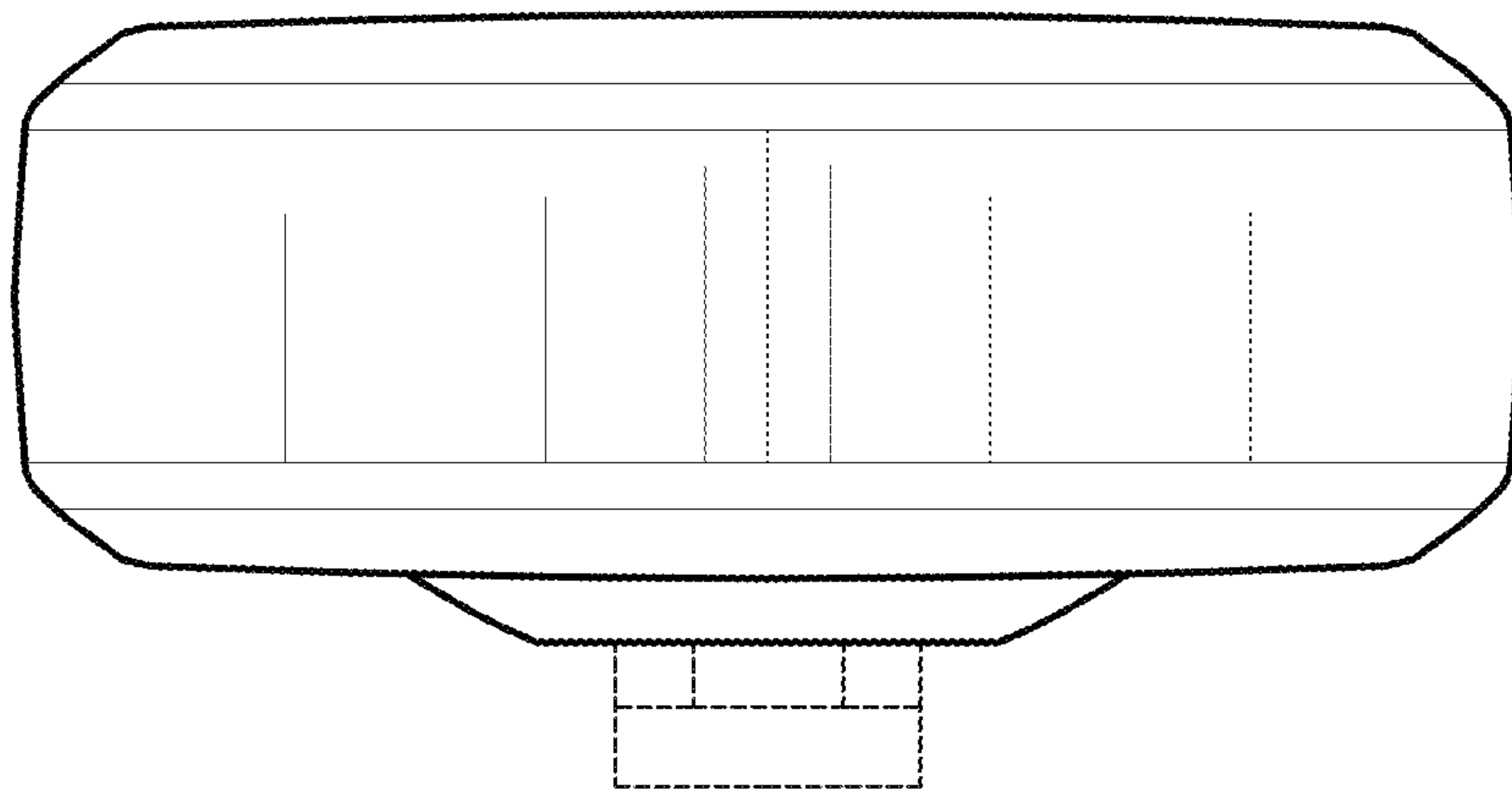


FIG. 7

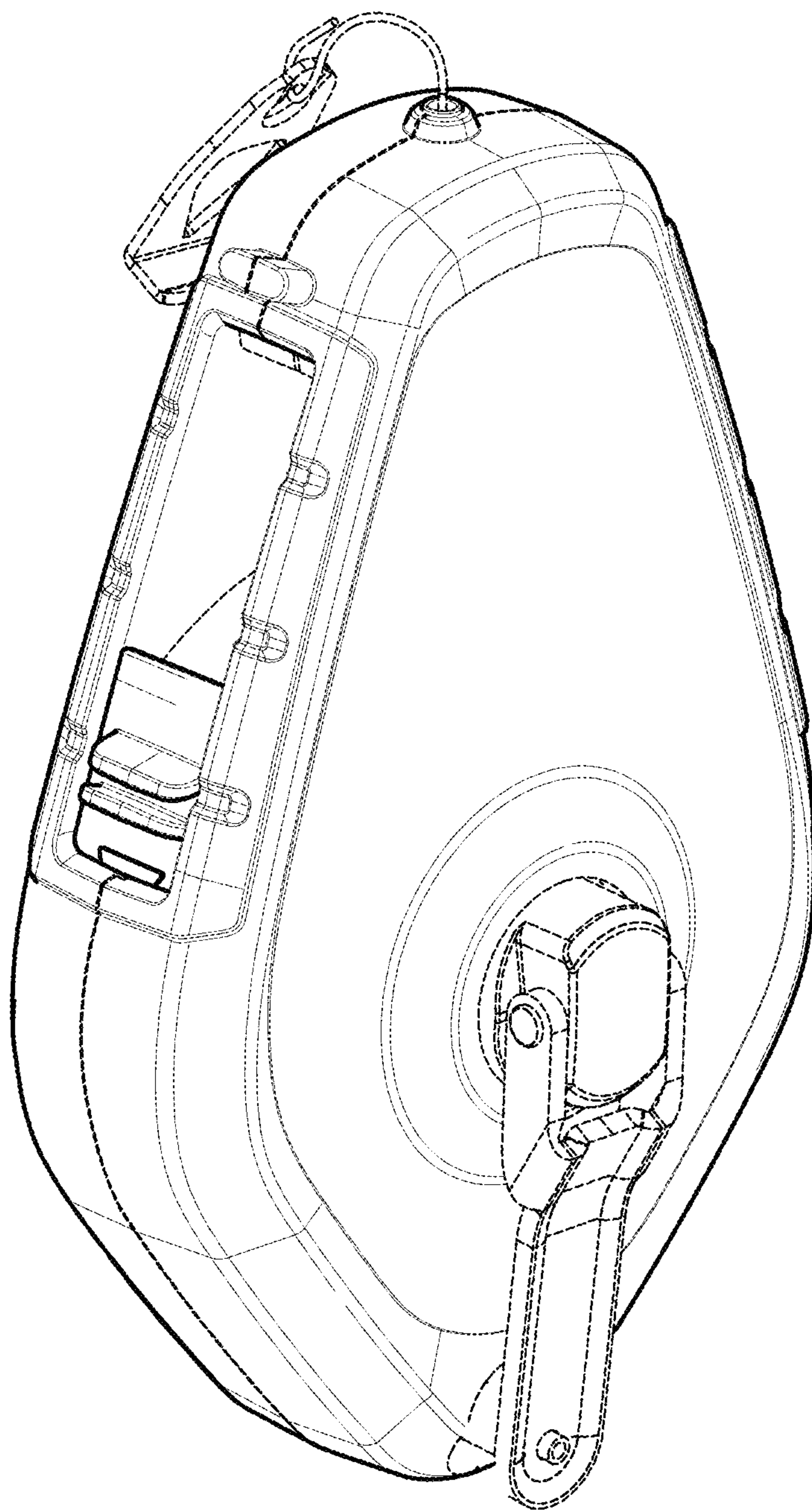


FIG. 8