



US00D752996S

(12) **United States Design Patent**
Ebersold

(10) **Patent No.:** **US D752,996 S**
(45) **Date of Patent:** **** Apr. 5, 2016**

- (54) **ENERGY HARVESTING WATCH**
- (71) Applicant: **Sean Lawrence Ebersold**, Wellington, FL (US)
- (72) Inventor: **Sean Lawrence Ebersold**, Wellington, FL (US)
- (73) Assignee: **EnergyBionics, LLC**, Royal Palm Beach, FL (US)
- (**) Term: **14 Years**
- (21) Appl. No.: **29/482,340**
- (22) Filed: **Feb. 18, 2014**
- (51) **LOC (10) Cl.** **10-02**
- (52) **U.S. Cl.**
USPC **D10/30; D14/344**
- (58) **Field of Classification Search**
USPC D10/30-39, 1-29, 122-132; D14/344, D14/138 R
CPC G04B 37/00; G04B 37/0008; G04B 9/04; G04C 3/00; G04C 3/001; G04C 3/002; G04G 9/00; G04G 9/0017; G04G 9/0058; G04G 9/06; G04G 9/107; G04G 17/00; G04G 17/005; G05G 17/08
See application file for complete search history.

- (56) **References Cited**
U.S. PATENT DOCUMENTS
D304,305 S * 10/1989 Morishima D10/38
D526,215 S * 8/2006 Calvani D10/38

D565,970 S *	4/2008	Ratajski et al.	D10/39
D568,181 S *	5/2008	Rabassa	D10/39
D584,170 S *	1/2009	Morrison	D10/32
D611,844 S *	3/2010	Furetta	D10/39
D639,955 S *	6/2011	Riobo Aboy et al.	D24/165
D664,449 S *	7/2012	Rabassa	D10/39
D672,255 S *	12/2012	Zanella et al.	D10/32
D678,785 S *	3/2013	Rochat	D10/39
D688,967 S *	9/2013	Wilson	D10/128
2011/0032105 A1 *	2/2011	Hoffman et al.	340/573.1
2012/0041278 A1 *	2/2012	Sadhu	600/301

* cited by examiner

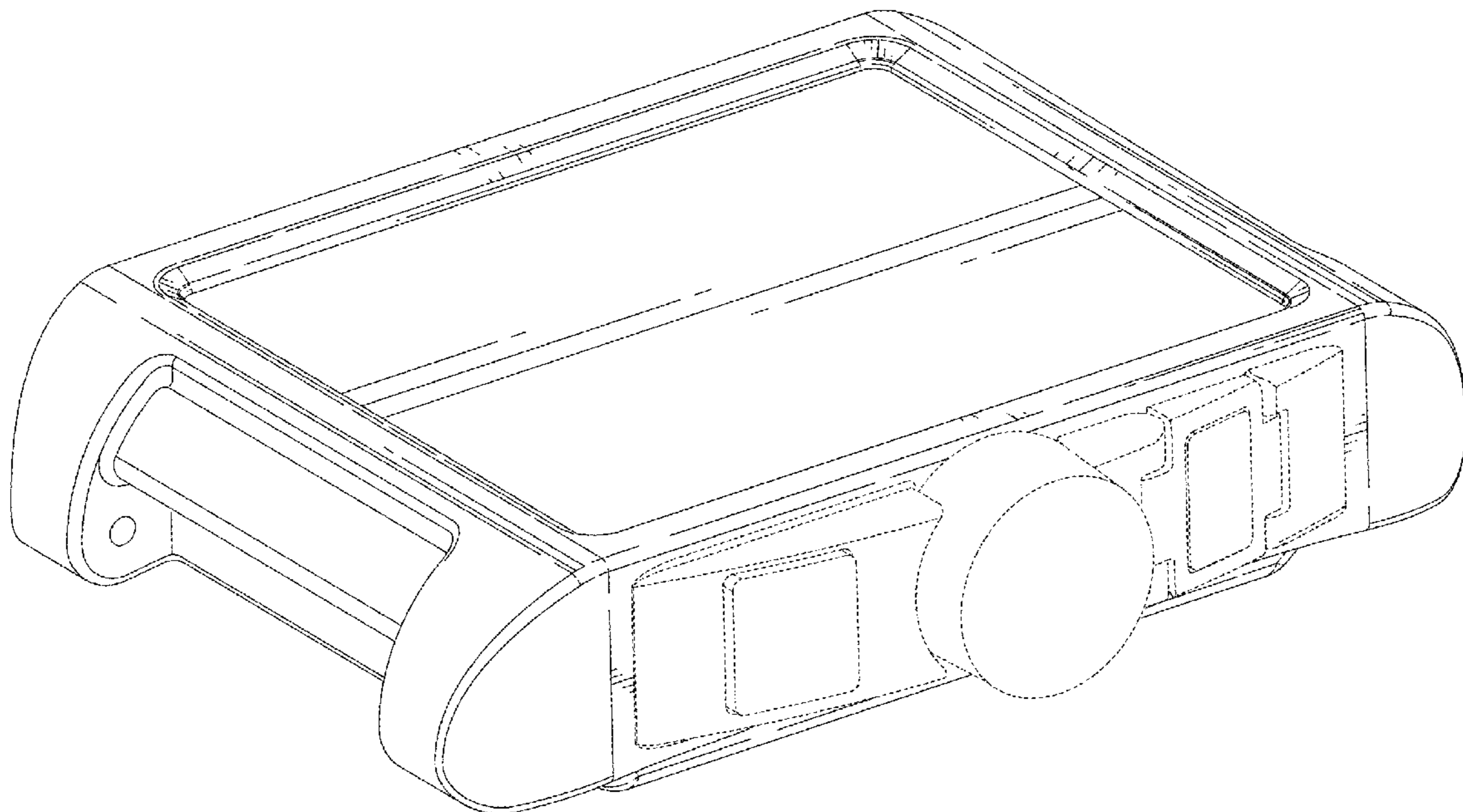
Primary Examiner — Martie K Holtje
(74) *Attorney, Agent, or Firm* — Eliezer IP

(57) **CLAIM**
The ornamental design for an energy harvesting watch, as shown.

DESCRIPTION

FIG. 1 is a top, right front perspective view of an energy harvesting watch showing my new design;
FIG. 2 is bottom, right rear perspective view thereof;
FIG. 3 is a top plan view thereof;
FIG. 4 is a bottom plan view thereof;
FIG. 5 is a first side view thereof;
FIG. 6 is a second side view thereof;
FIG. 7 is a first elevation view thereof; and,
FIG. 8 is a second elevation view thereof.
The structural features depicted by broken lines in the drawings have been shown for the purposes of illustrating portions of the energy harvesting watch that form no part of the claimed design.

1 Claim, 8 Drawing Sheets



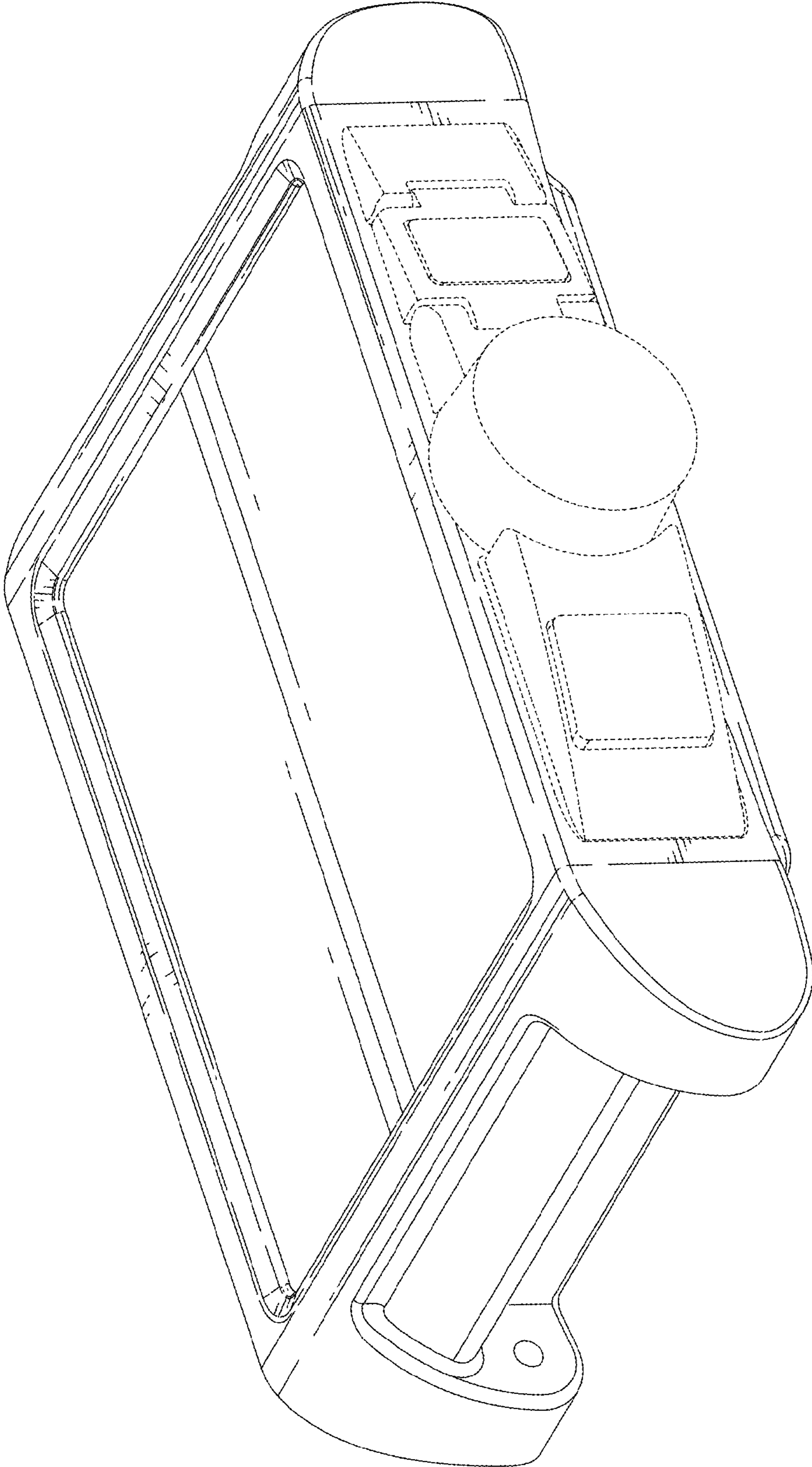
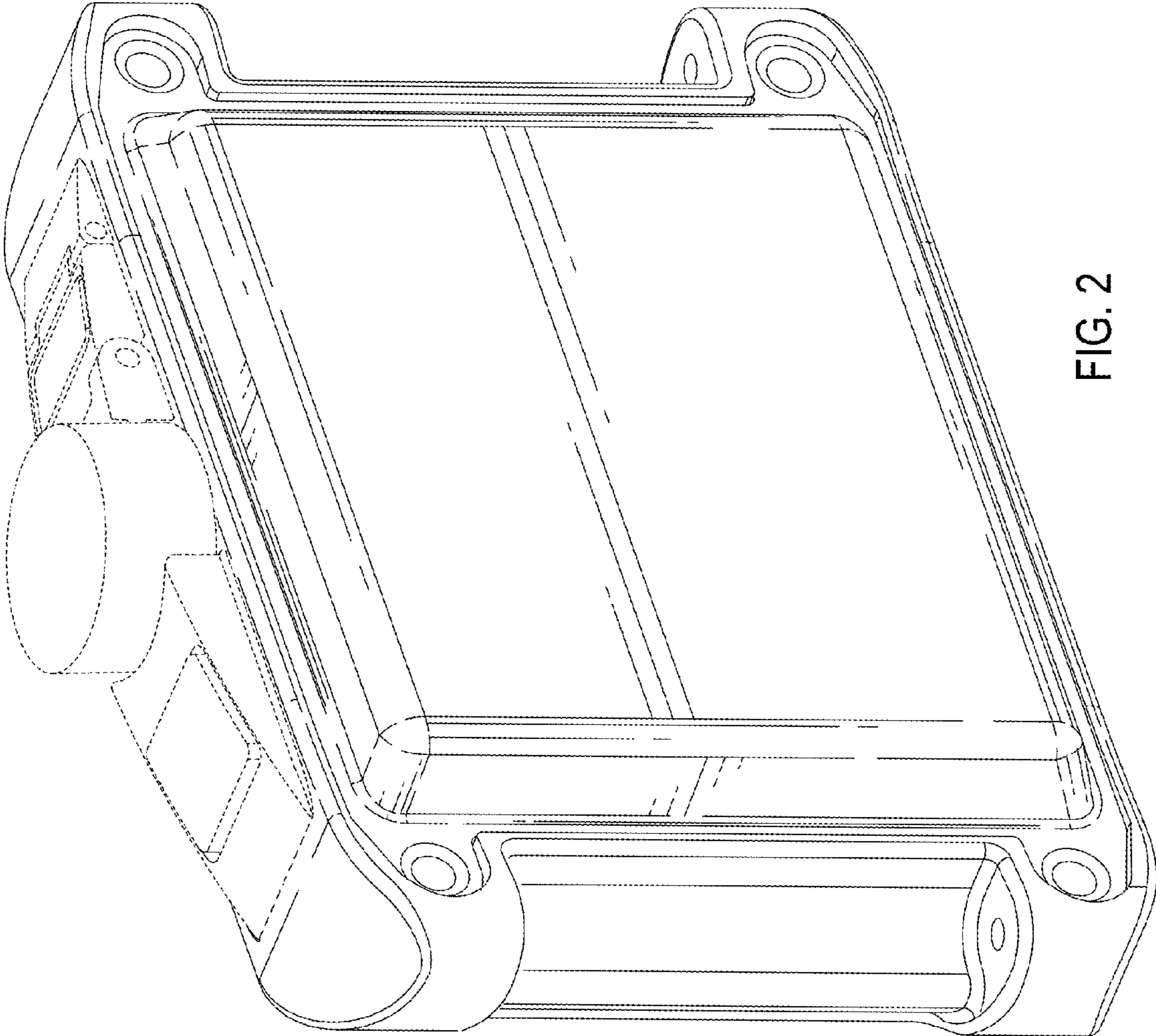


FIG. 1



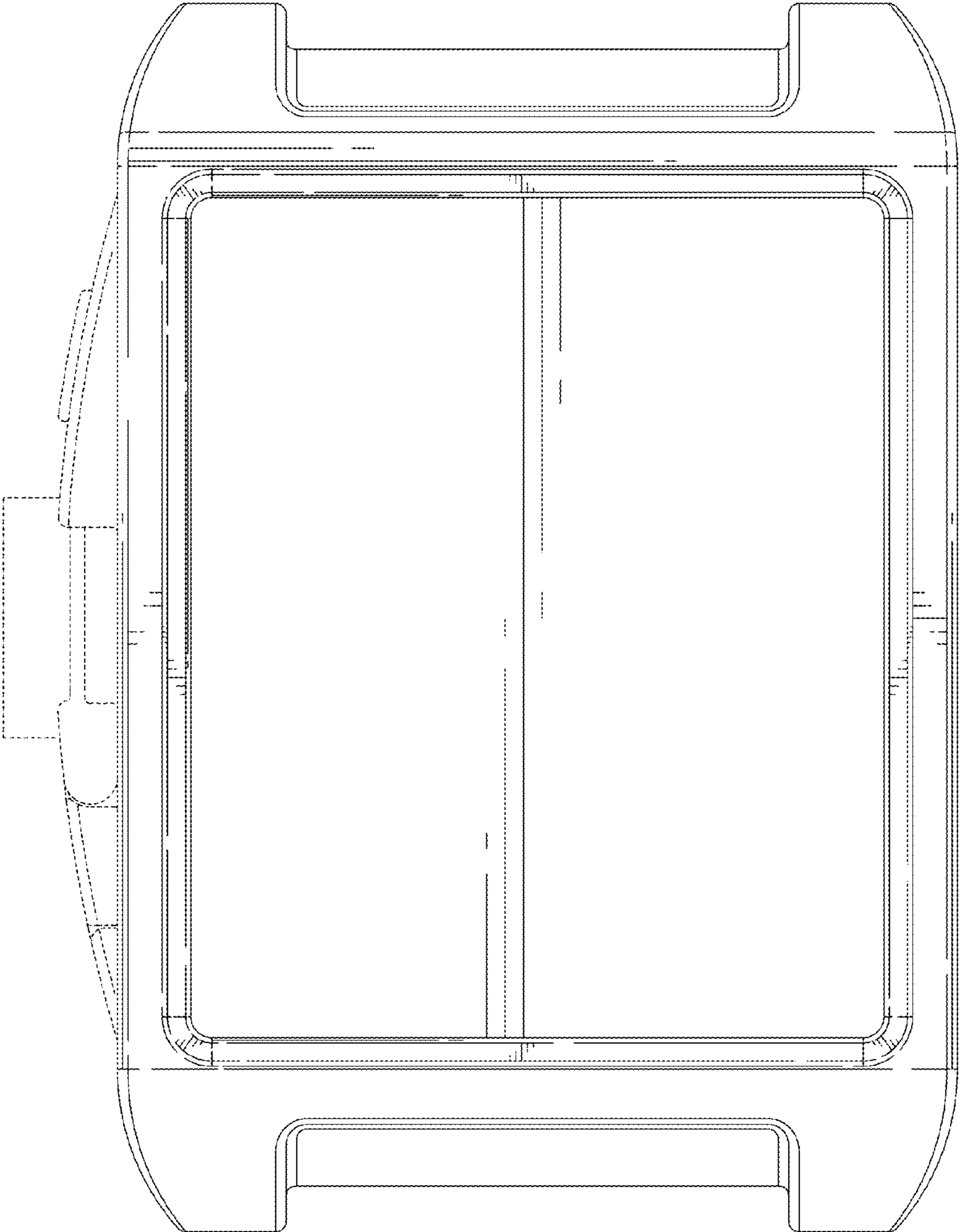


FIG. 3

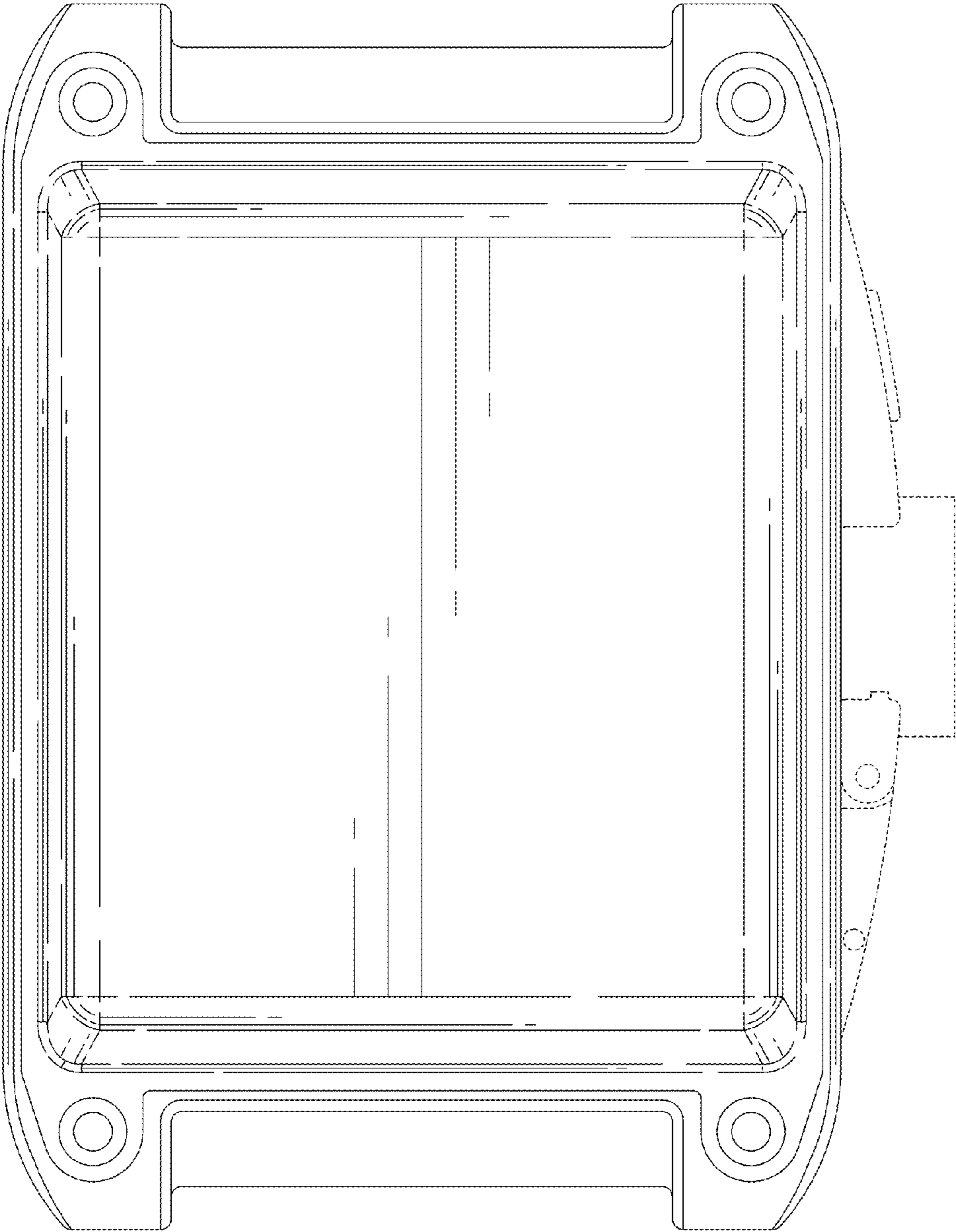


FIG. 4

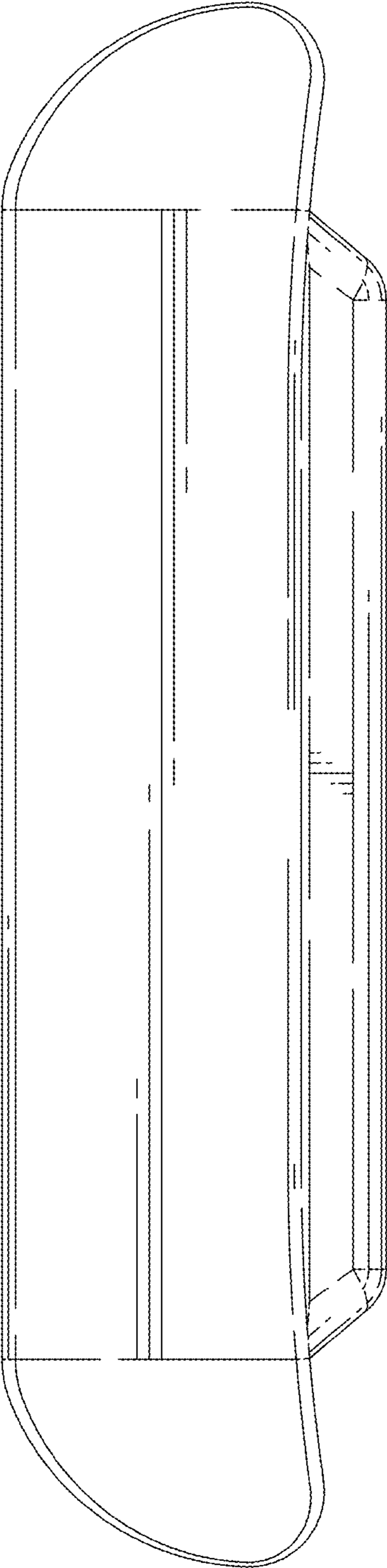


FIG. 5

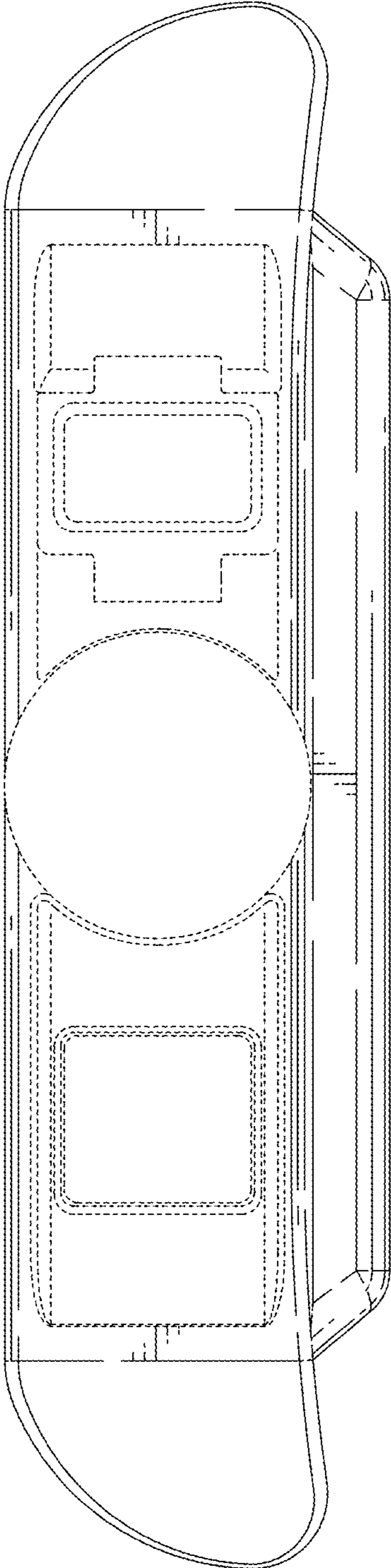


FIG. 6

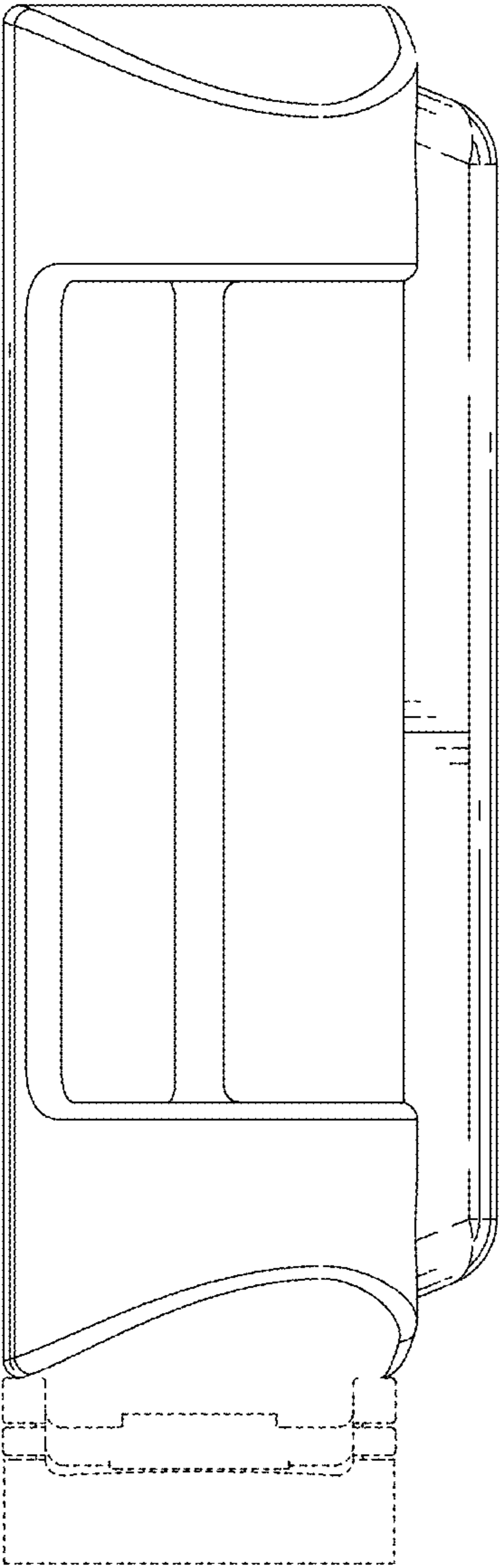


FIG. 7

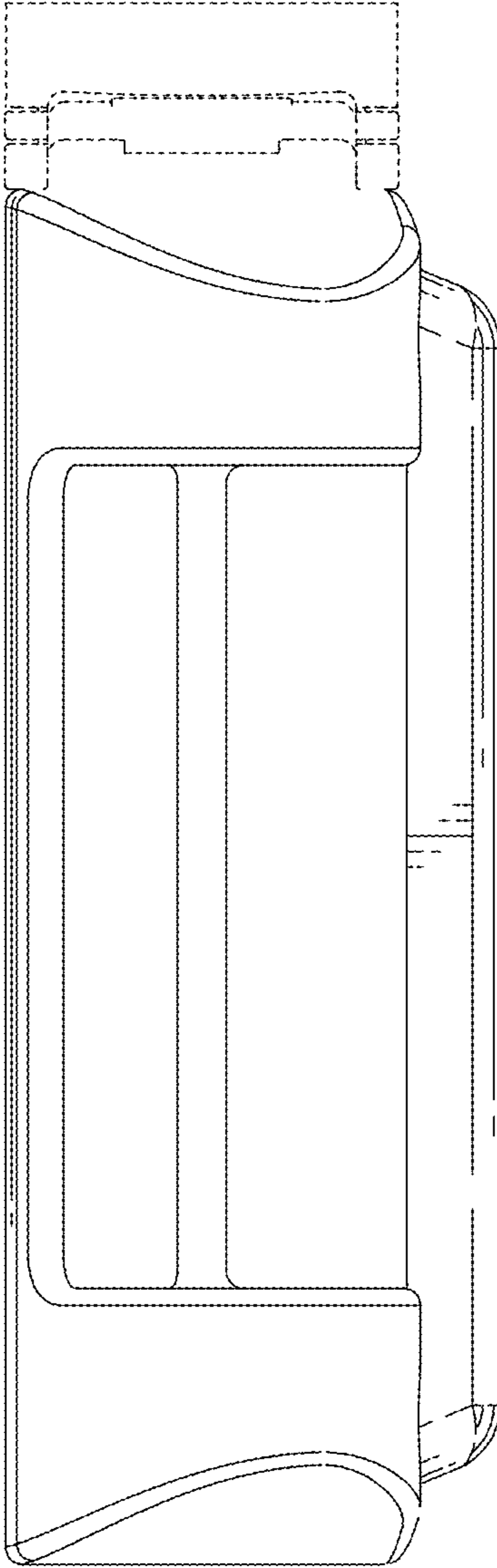


FIG. 8