



US00D752994S

(12) **United States Design Patent**
Fan

(10) **Patent No.:** **US D752,994 S**
(45) **Date of Patent:** **** Apr. 5, 2016**

(54) **PACKAGING BOX WITH BALL**

(71) Applicant: **NIKE, Inc.**, Beaverton, OR (US)

(72) Inventor: **Richard S. Fan**, Portland, OR (US)

(73) Assignee: **NIKE, Inc.**, Beaverton, OR (US)

(**) Term: **14 Years**

(21) Appl. No.: **29/520,765**

(22) Filed: **Mar. 17, 2015**

(51) **LOC (10) Cl.** **09-03**

(52) **U.S. Cl.**
USPC **D9/721**

(58) **Field of Classification Search**
USPC D9/414, 418, 430-432, 711, 715, 721,
D9/737; 206/315.9, 315.91, 592, 775, 777,
206/779, 780; 229/101, 103.2, 103.3, 108,
229/115, 116, 121, 122, 162.1, 162.4,
229/162.5, 162.6
CPC B65D 5/4204; B65D 2571/00728;
B65D 5/029; B65D 5/16; B65D 2571/00716;
B65D 5/008; B65D 2571/00549; B65D
5/5021; B65D 5/2028; B65D 5/0254; B65D
75/14; B65D 2571/0029; B65D 5/02; B65D
5/5035; B65D 81/113; B65D 5/42; B65D
5/5007; B65D 5/443; B65D 5/5016; B65D
81/133; B65D 5/2033; B65D 25/54; B65D
73/0085; B65D 2571/00283; B65D 5/2042;
B65D 75/50; B65D 81/025; B65D 85/00;
B65D 5/00; B65D 5/5026; B65D 5/48048;
B65D 75/522; B65D 15/22; B65D 77/02;
B65D 85/1036; B65D 71/22; B65D 75/28;
B65D 5/2061; B65D 77/003; B65D
2519/00019; Y10S 224/919; Y10S 229/939;
Y10S 206/822; Y10S 206/804; Y10S 52/10;
Y10S 383/907

See application file for complete search history.

(56) **References Cited**

U.S. PATENT DOCUMENTS

643,420	A *	2/1900	Miyaji	B65D 5/029 229/116
1,292,188	A *	1/1919	Wheeler	A63H 33/16 229/108
3,122,298	A	2/1964	Seger, Jr.	
3,123,204	A	3/1964	Baker et al.	
3,359,657	A	12/1967	Hedberg	
3,815,735	A	6/1974	Cucuo	
D241,419	S *	9/1976	Wilson et al.	D9/418
3,987,893	A	10/1976	Hanson	
D245,229	S	8/1977	Hanson	

(Continued)

OTHER PUBLICATIONS

Addidas Soccer Ball Packaging by Point of Purchase Production Blog [online]. [retrieved May 7, 2015]. 10 pages, Retrieved from the Internet <URL:http://pop-online.com/adidas-soccer-ball-packaging/>.

(Continued)

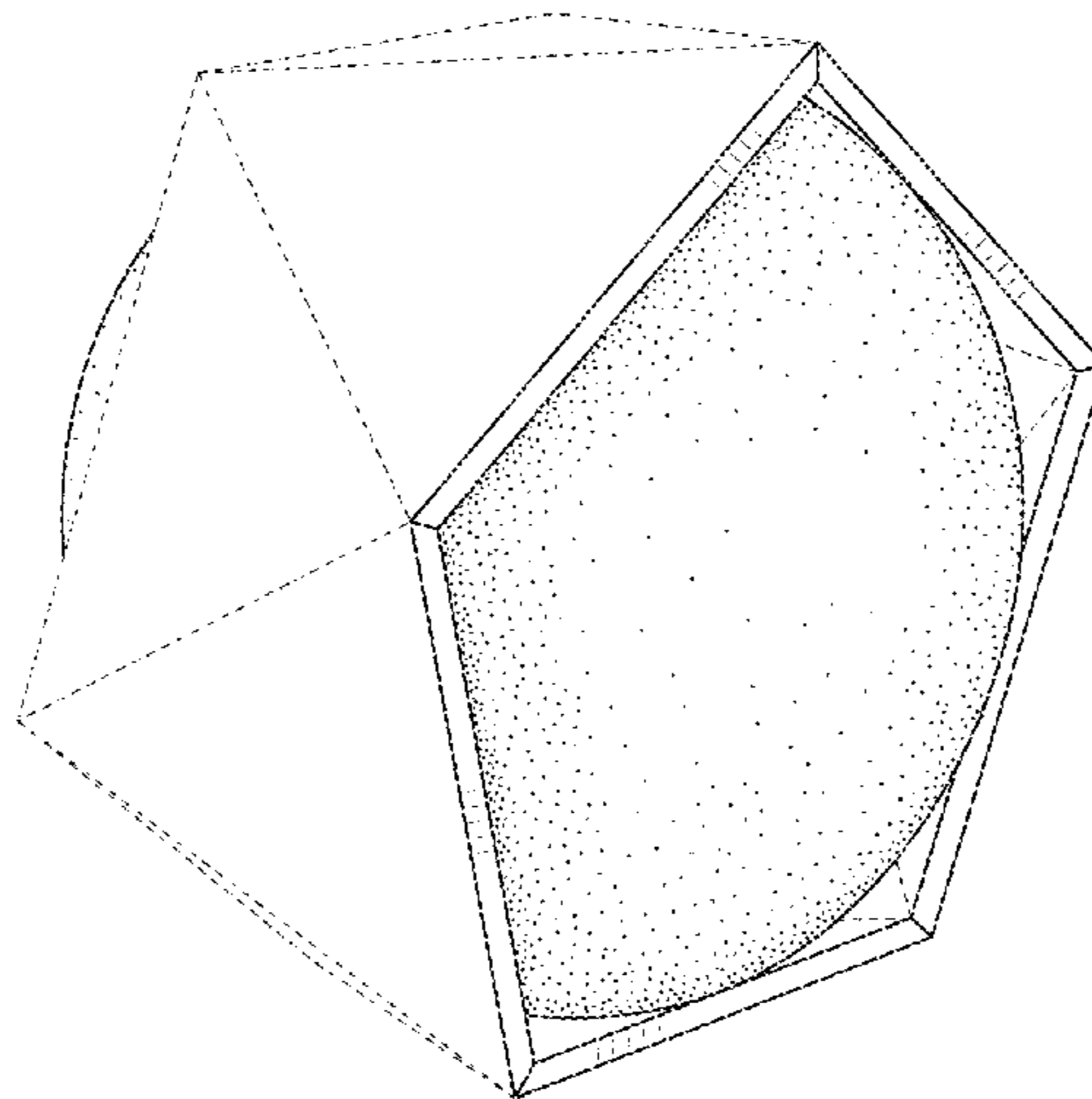
Primary Examiner — Derrick Holland
Assistant Examiner — Lauren Calve
(74) *Attorney, Agent, or Firm* — Banner & Witcoff, Ltd.

(57) **CLAIM**
The ornamental design for a packaging box with ball, as shown and described.

DESCRIPTION

FIG. 1 is a front perspective view of a packaging box with ball showing my new design;
FIG. 2 is a front elevational view thereof;
FIG. 3 is a rear elevational view thereof;
FIG. 4 is a right side elevational view thereof;
FIG. 5 is a left side elevational view thereof;
FIG. 6 is a top view thereof;
FIG. 7 is a bottom view thereof; and,
FIG. 8 is a rear perspective view thereof.
The broken lines shown represent unclaimed subject matter and form no part of the claimed design.

1 Claim, 5 Drawing Sheets



(56)

References Cited

U.S. PATENT DOCUMENTS

D246,440 S 11/1977 Hanson
 4,172,549 A * 10/1979 Yoshida B65D 5/02
 206/315.9
 4,177,917 A 12/1979 Webinger
 4,295,446 A * 10/1981 Voss A01K 1/033
 119/499
 4,452,355 A 6/1984 Benham
 D278,125 S 3/1985 Benham
 D278,126 S 3/1985 Benham
 4,629,069 A * 12/1986 Pugh B65D 5/5002
 206/426
 D295,958 S * 5/1988 Pugh D9/711
 4,779,726 A 10/1988 Pratt
 5,011,070 A 4/1991 Plunkett
 5,156,276 A 10/1992 Lebowitz
 5,195,633 A 3/1993 Kaminski
 5,253,799 A 10/1993 Sebesta
 5,322,210 A 6/1994 Chila et al.
 D357,181 S 4/1995 Baker
 D361,302 S * 8/1995 Shryock D11/143
 D361,306 S * 8/1995 Shryock D11/143
 D361,718 S 8/1995 Baker
 5,597,112 A 1/1997 Knapp
 D386,533 S 11/1997 Kvoka
 5,695,056 A 12/1997 Bender et al.
 5,881,885 A 3/1999 Grimm
 6,036,010 A 3/2000 Seyffert et al.
 6,199,692 B1 3/2001 Van Ness et al.
 6,199,804 B1 3/2001 Donofrio, Jr.
 6,220,443 B1 4/2001 Damaskos
 6,568,528 B2 5/2003 Murray
 D477,219 S 7/2003 Waterhouse et al.

D482,273 S 11/2003 Humphrey
 6,644,473 B2 11/2003 Kohler
 6,743,490 B2 6/2004 Fushihara et al.
 D525,878 S 8/2006 Wijerama
 D529,399 S * 10/2006 Wijerama D9/721
 D530,196 S 10/2006 Wijerama
 D532,686 S 11/2006 Wijerama
 D535,193 S 1/2007 Rutledge
 7,513,369 B1 4/2009 Lee
 7,571,805 B2 8/2009 Cunningham
 7,806,313 B2 10/2010 Philips
 7,938,259 B2 5/2011 Conklin et al.
 D640,128 S * 6/2011 Harshman D9/418
 D645,341 S * 9/2011 Bhattacharya D9/430
 8,162,205 B2 4/2012 Stephens
 D661,161 S 6/2012 Craft et al.
 D663,198 S 7/2012 White et al.
 D672,202 S 12/2012 Craft et al.
 8,365,920 B2 2/2013 House et al.
 D700,068 S * 2/2014 Krankkala D9/715
 D701,455 S 3/2014 Shepherd et al.
 8,770,401 B2 7/2014 Fitchett
 D717,163 S * 11/2014 Paulsen D9/431
 2003/0121809 A1 7/2003 Gourd et al.
 2007/0125897 A1 6/2007 Wijerama
 2008/0047858 A1 * 2/2008 Conklin B65D 5/10
 206/315.9

OTHER PUBLICATIONS

Fast Co Designs, What If Nike Sold Oranges and Apple Sold iMilk [online]. [retrieved Jan. 12, 2015]. 7 pages, Retrieved from the Internet <URL:http://www.fastcodesign.com/3040466/what-if-nike-sold-oranges-and-apple-sold-imilk>.

* cited by examiner

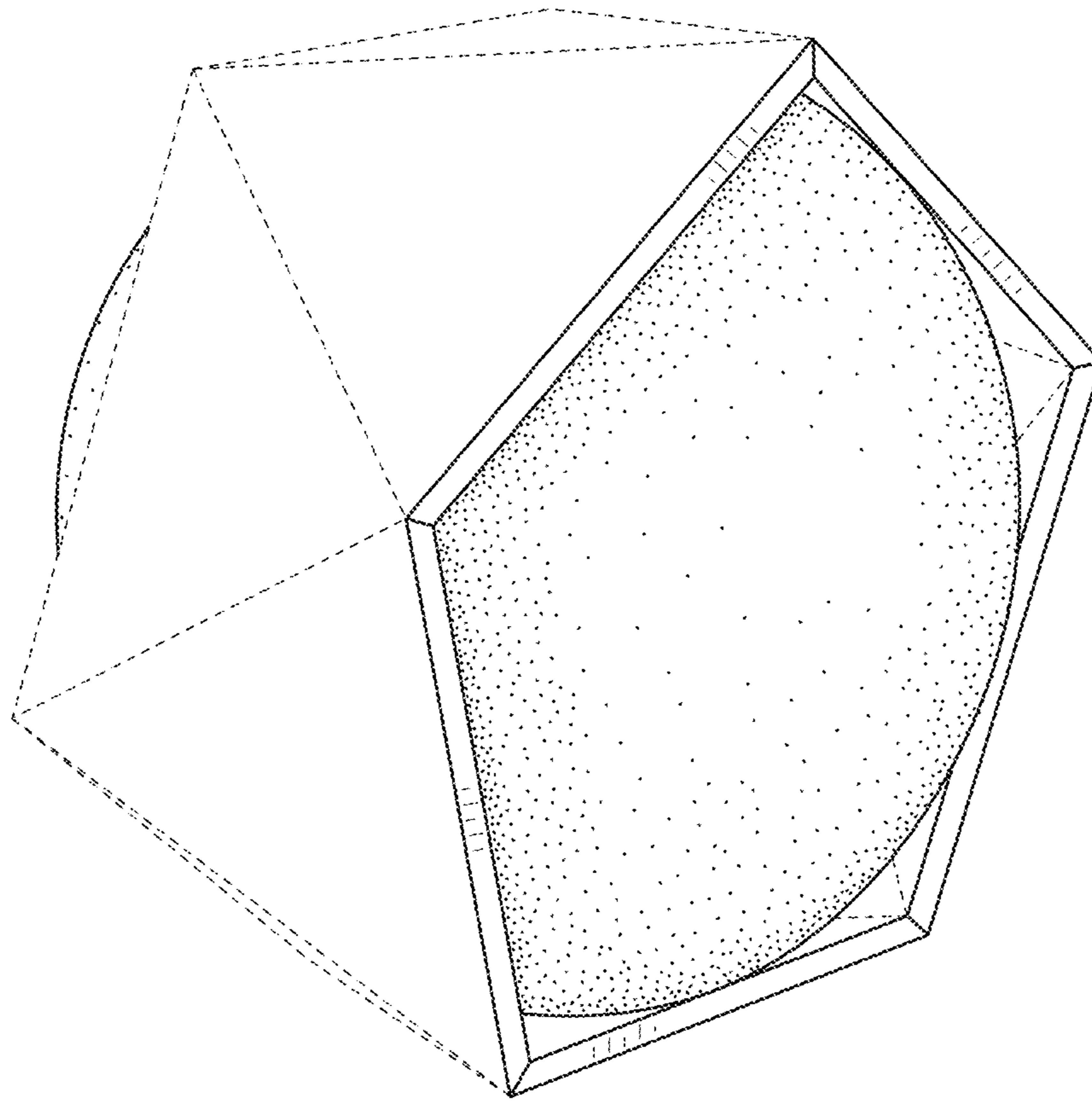


FIG. 1

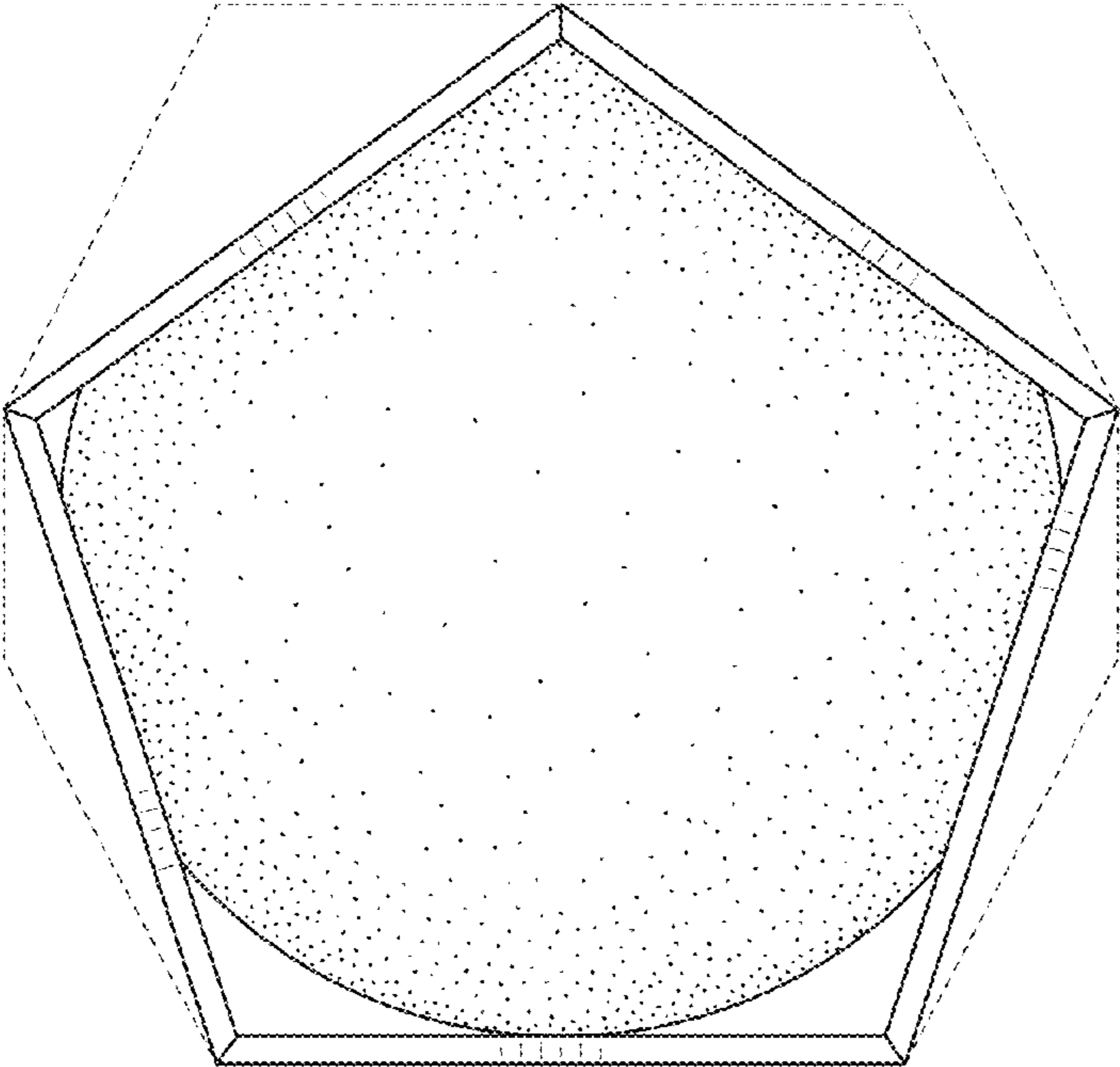


FIG. 2

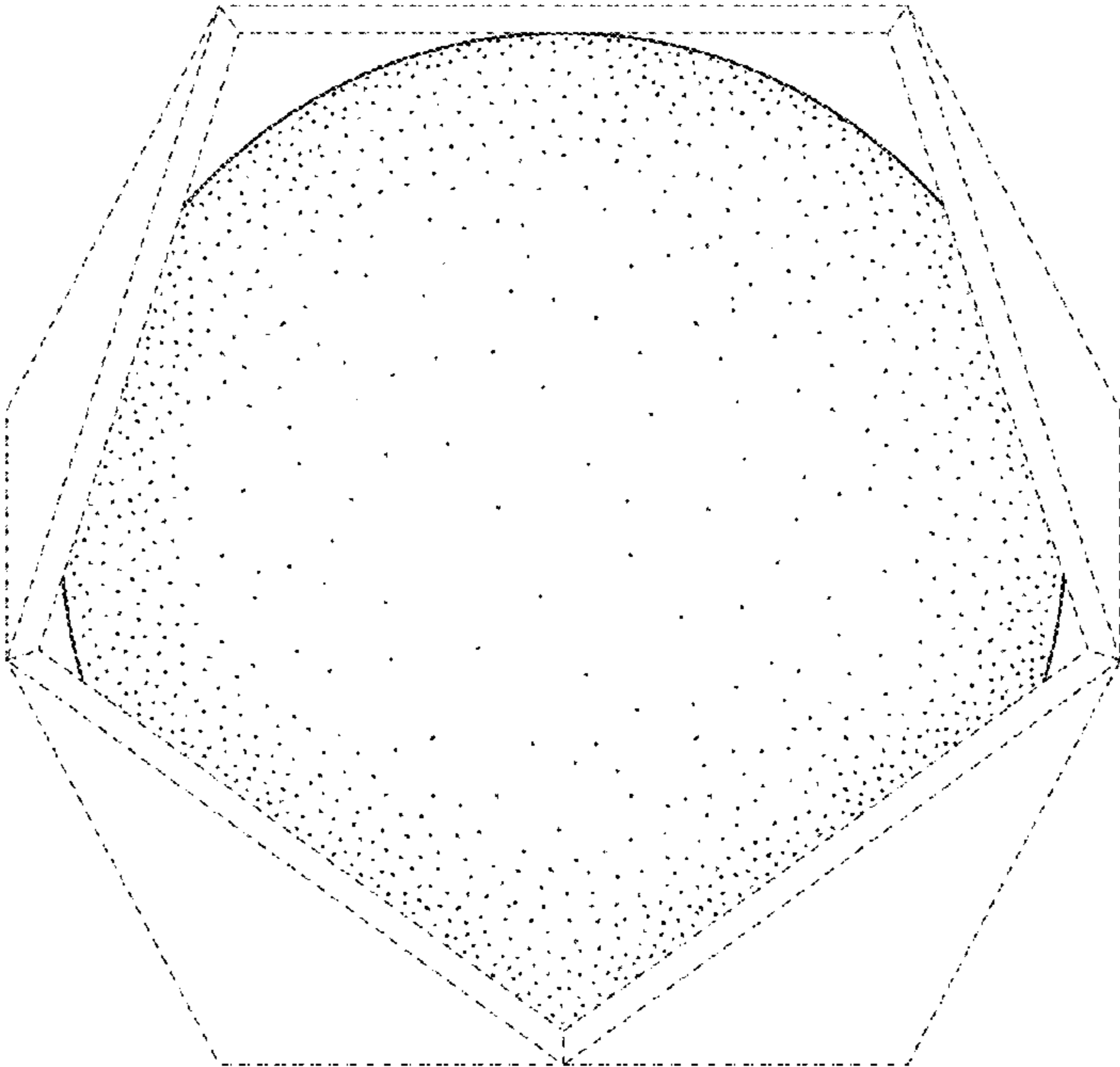


FIG. 3

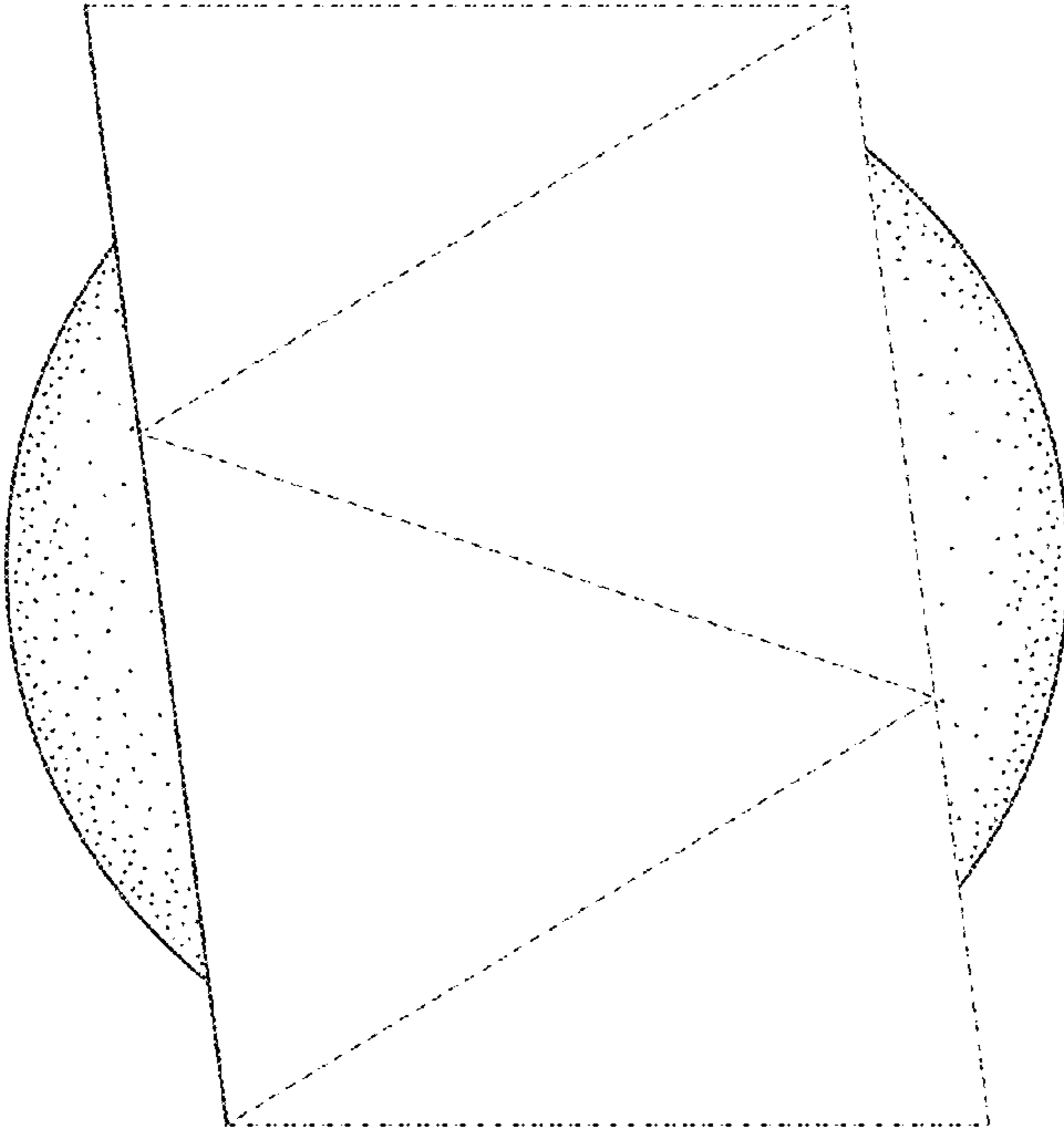


FIG. 4

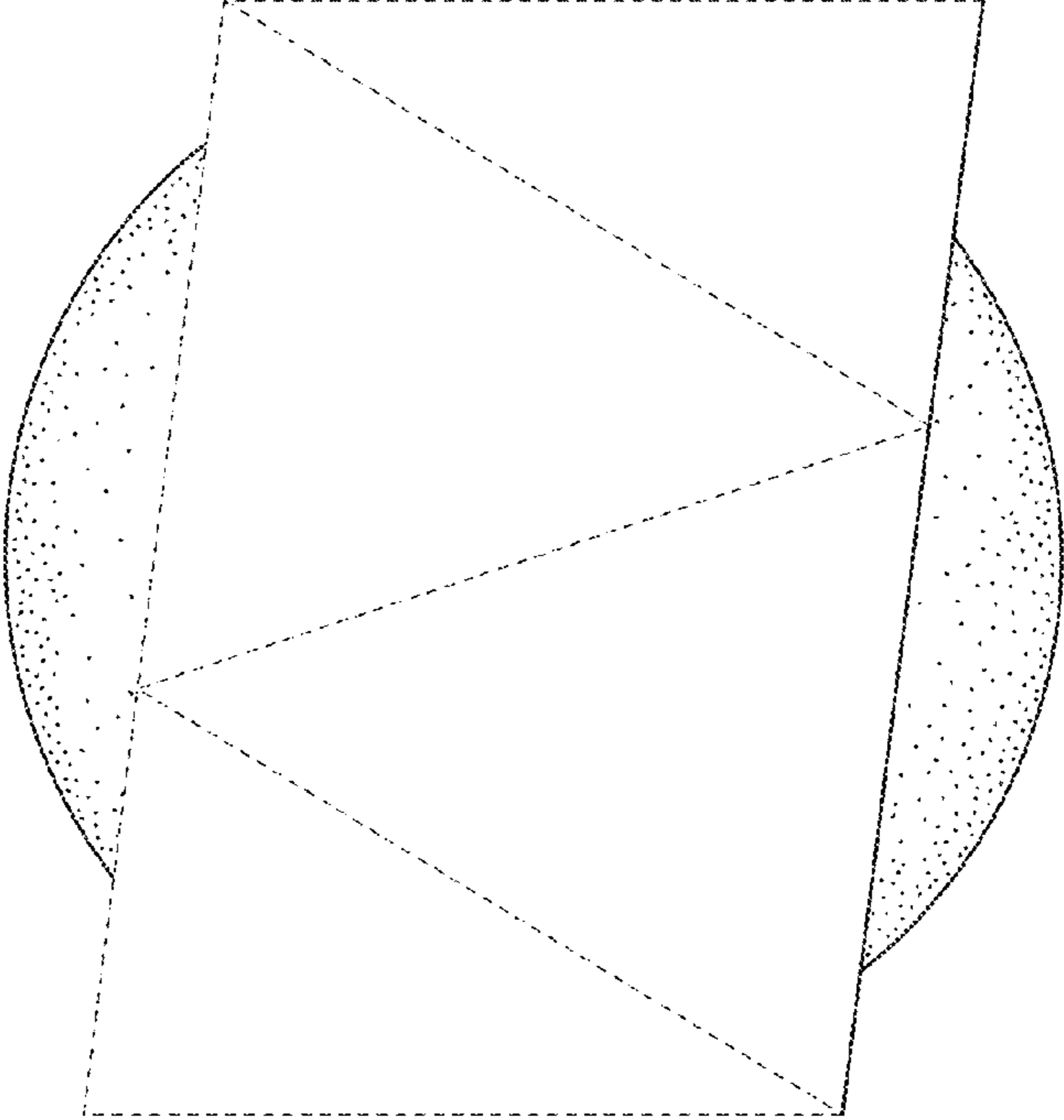


FIG. 5

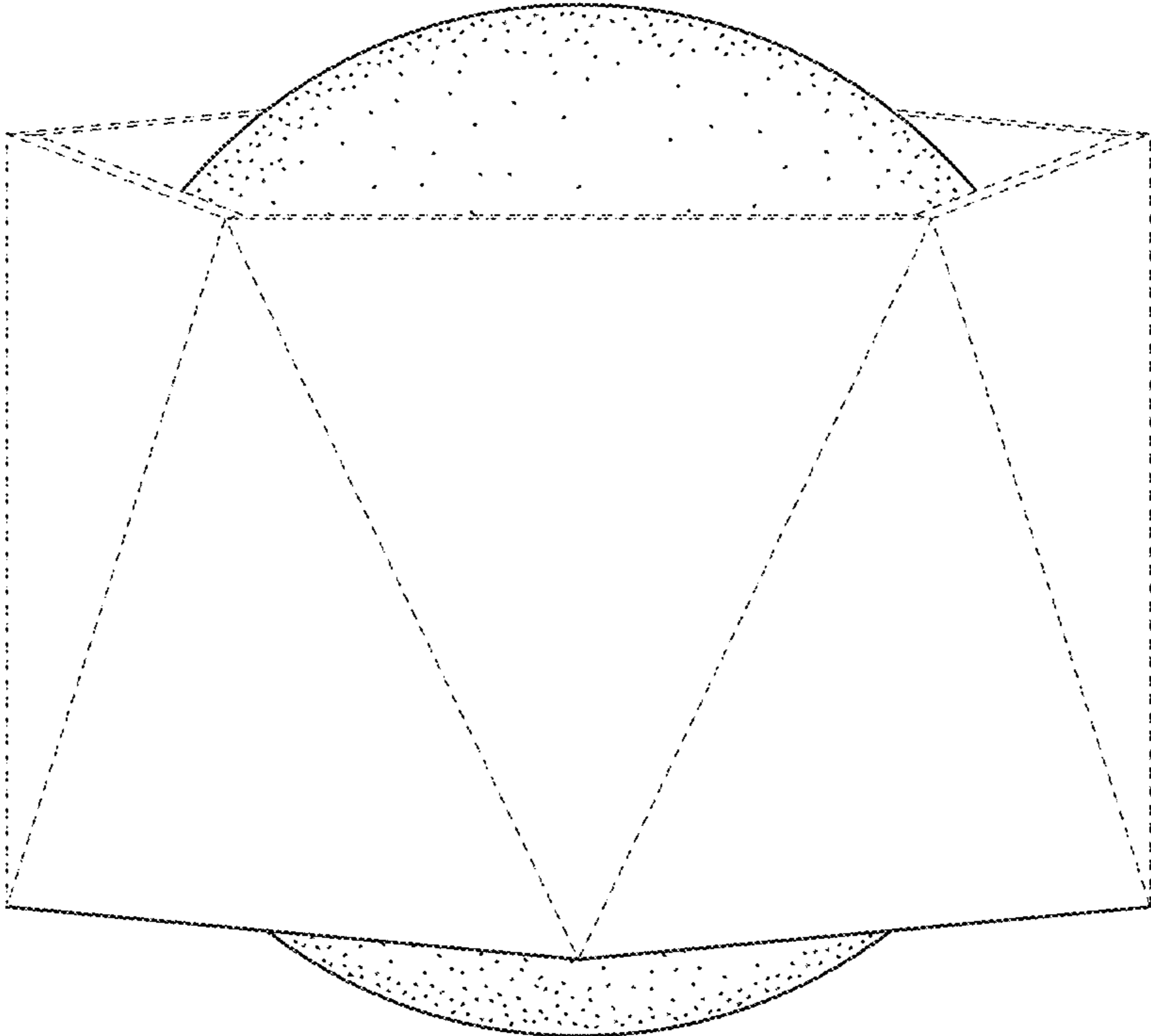


FIG. 6

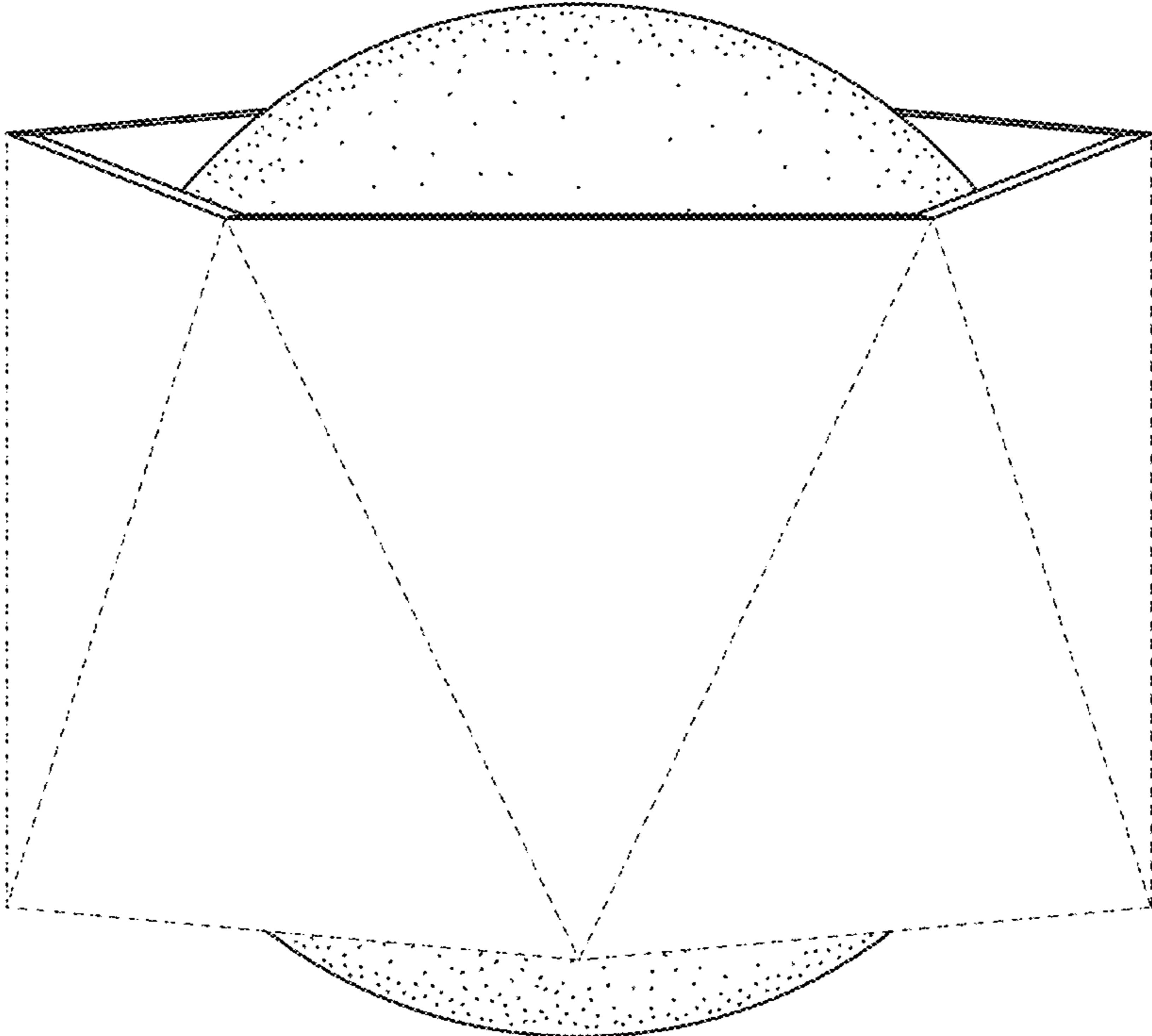


FIG. 7

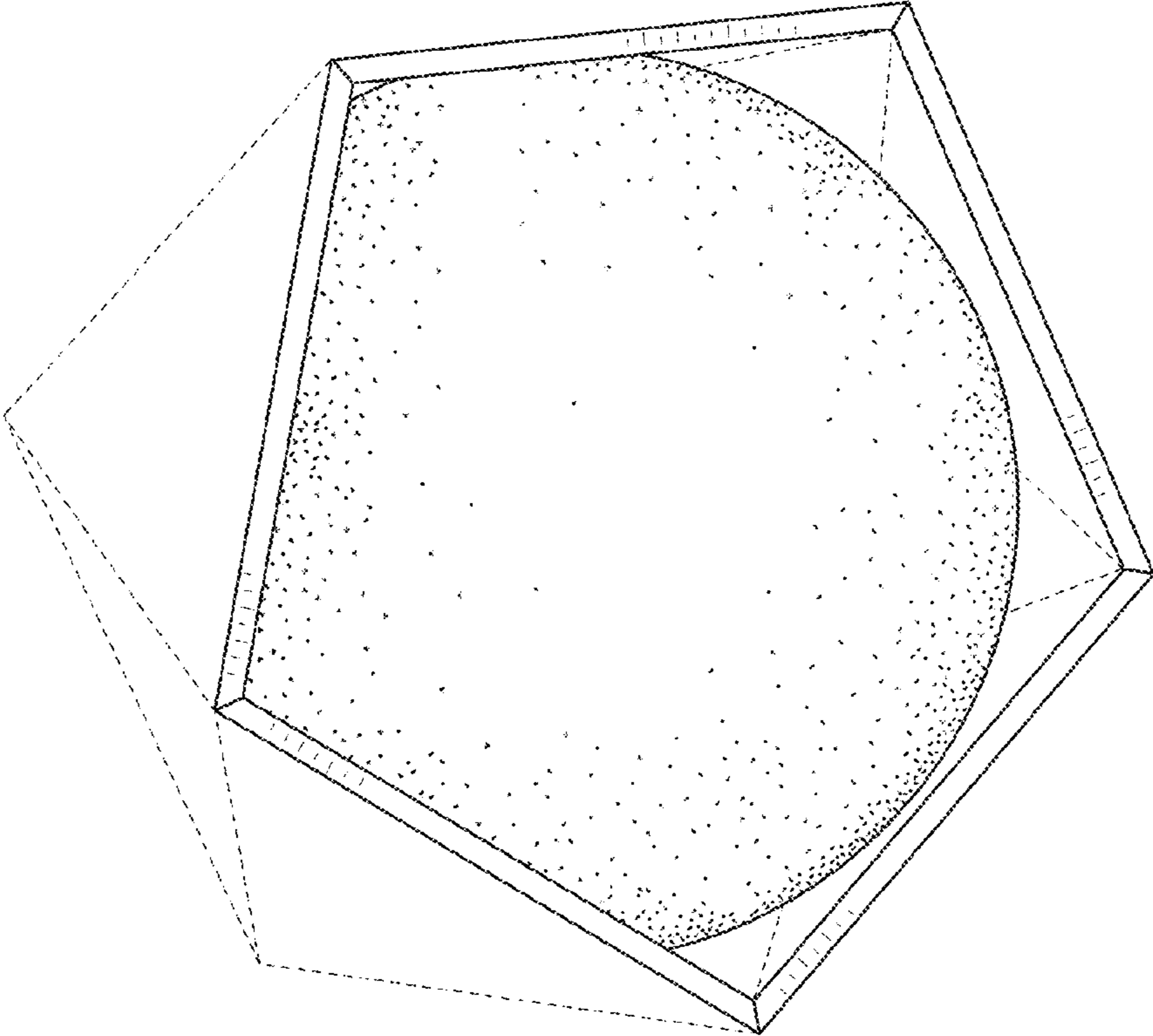


FIG. 8