



US00D752990S

(12) **United States Design Patent**  
**Dalton**

(10) **Patent No.:** **US D752,990 S**

(45) **Date of Patent:** **\*\* Apr. 5, 2016**

(54) **PERFUME BOTTLE**

(71) Applicant: **Prada S.A.**, Luxembourg (LU)

(72) Inventor: **Suzanne Dalton**, Paris (FR)

(73) Assignee: **Prada S.A.**, Luxembourg (LU)

(\*\*) Term: **14 Years**

(21) Appl. No.: **29/514,756**

(22) Filed: **Jan. 15, 2015**

(51) **LOC (10) Cl.** ..... **09-01**

(52) **U.S. Cl.**

USPC ..... **D9/682**

(58) **Field of Classification Search**

USPC ..... D9/682-694, 500-505, 718, 719,  
D9/723-729, 516, 517, 520, 521, 523, 526,  
D9/529, 537-546, 549-558, 559-562,  
D9/563-575, 418, 434-436, 439, 440, 443,  
D9/445, 447, 448

CPC ..... B65D 1/02; B65D 1/0207; B65D 1/0223;  
B65D 1/0261; B65D 1/0276; B65D 1/40;  
B65D 1/44; B65D 13/02; B65D 23/00;  
B65D 83/14; B65D 83/20; B65D 83/22;  
B65D 83/38; B65D 83/384; B65D 83/40;  
B65D 2203/00; B65D 2501/0009; B65D  
2501/0018; B65D 2501/0081; B65D 41/62;  
B65D 39/0047

See application file for complete search history.

(56) **References Cited**

**U.S. PATENT DOCUMENTS**

D24,580 S \* 8/1895 Lowrey ..... D9/544  
D29,126 S \* 8/1898 Barrie ..... D9/544

(Continued)

**FOREIGN PATENT DOCUMENTS**

CN 302627889 \* 11/2013  
CN 302639511 \* 11/2013

(Continued)

*Primary Examiner* — Catherine Tuttle

(74) *Attorney, Agent, or Firm* — Fross Zelnick Lehrman and Zissu P.C.; Charles T. Weigell

(57) **CLAIM**

The ornamental design for a perfume bottle, as shown and described.

**DESCRIPTION**

The patent or application file contains at least one drawing executed in color. Copies of this patent or patent application publication with color drawing(s) will be provided by the Office upon request and payment of the necessary fee.

FIG. 1 is a front perspective view of a perfume bottle showing my new design;

FIG. 2 is a front view of the perfume bottle shown in FIG. 1 (with the back view being a mirror image thereof);

FIG. 3 is a side view of the perfume bottle shown in FIG. 1 (with the other side view being a mirror image thereof);

FIG. 4 is a top view of the perfume bottle shown in FIG. 1;

FIG. 5 is a top view shown with the cap removed for a clear disclosure of the underlying parts;

FIG. 6 is an exploded perspective view of the perfume bottle in the preceding figures;

FIG. 7 is a front perspective view of the perfume bottle shown in FIG. 1, shown with cap removed;

FIG. 8 is a front perspective view of an alternative embodiment of the perfume bottle shown in FIG. 1;

FIG. 9 is a front view thereof (with the back view being a mirror image thereof);

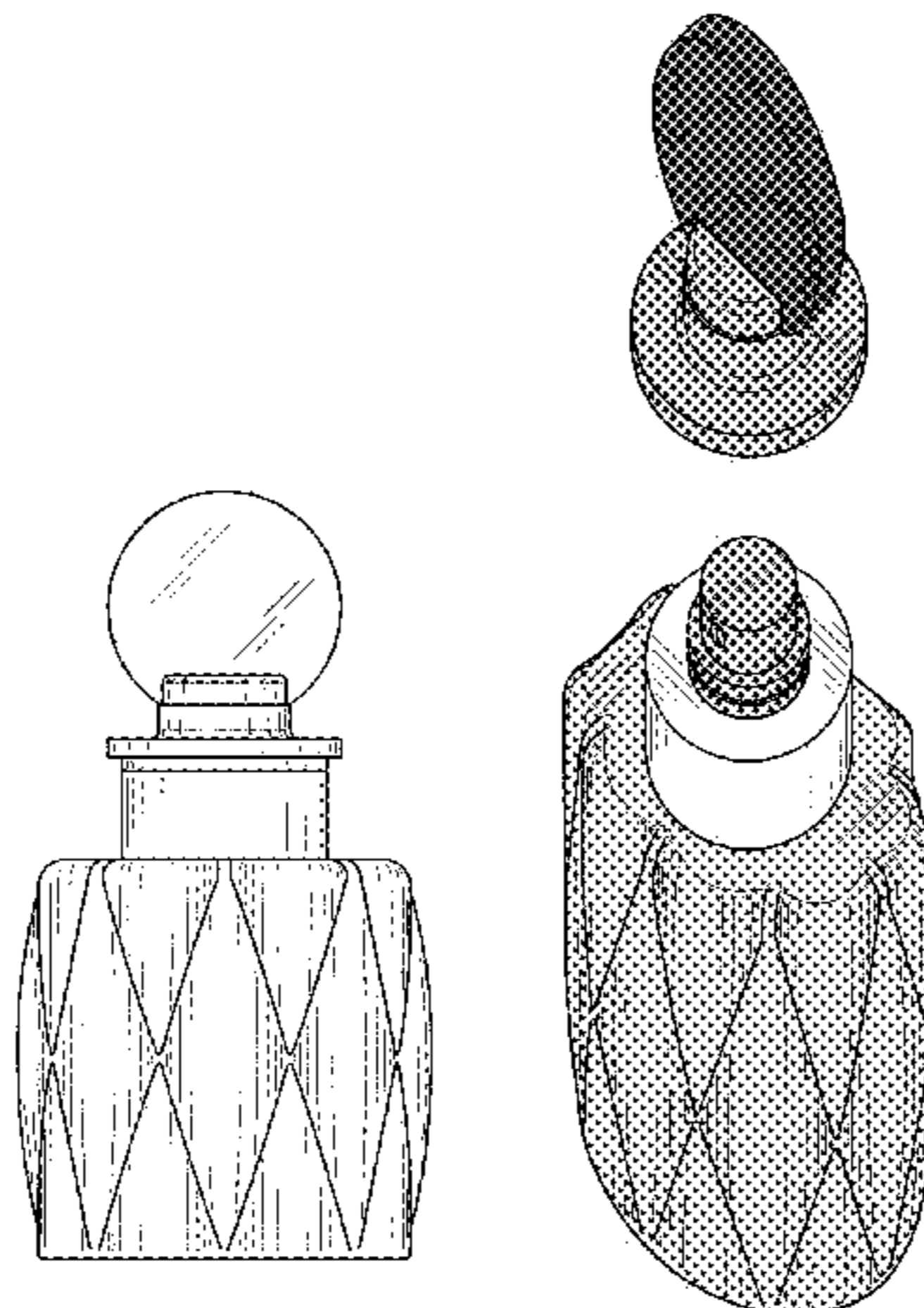
FIG. 10 is a side view thereof (with the other side view being a mirror image thereof);

FIG. 11 is a top view thereof;

FIG. 12 is a top view of the alternate embodiment shown with the cap removed for a clear disclosure of the underlying parts; and,

FIG. 13 is an exploded perspective view of the perfume bottle in the preceding figures of the alternate embodiment.

**1 Claim, 11 Drawing Sheets**  
**(5 of 11 Drawing Sheet(s) Filed in Color)**



(56)

**References Cited**

U.S. PATENT DOCUMENTS

D70,310 S \* 6/1926 Becker ..... D9/544  
 D76,405 S \* 9/1928 Lavault ..... D9/546  
 D84,531 S \* 6/1931 Maddaford ..... D9/546  
 D85,247 S \* 9/1931 Knepper ..... D9/560  
 D90,047 S \* 5/1933 Popp ..... D9/566  
 D95,682 S \* 5/1935 Harris ..... D9/665  
 D100,929 S \* 8/1936 Stein ..... D9/563  
 D155,562 S \* 10/1949 Werner ..... D19/66  
 D169,266 S \* 4/1953 Lehmann ..... D19/194  
 D182,107 S \* 2/1958 Colonna de Giovellina .. D9/526  
 D187,560 S \* 3/1960 Winter ..... D9/545  
 D187,886 S \* 5/1960 Hurlstone ..... D9/566

D200,268 S \* 2/1965 Lorenzen ..... D9/574  
 D245,314 S \* 8/1977 Mitchell ..... D9/538  
 D369,554 S \* 5/1996 Heinz ..... D9/544  
 D382,486 S \* 8/1997 Heinz ..... D9/439  
 D394,803 S \* 6/1998 Desgrippes ..... D9/443  
 D413,521 S \* 9/1999 Gager ..... D9/556  
 D427,516 S \* 7/2000 Legros ..... D9/546  
 D443,505 S \* 6/2001 Finocchiaro ..... D24/104

FOREIGN PATENT DOCUMENTS

CN 302972302 \* 10/2014  
 FR 992174-002 \* 9/1999  
 GB 2079138 \* 3/1991

\* cited by examiner

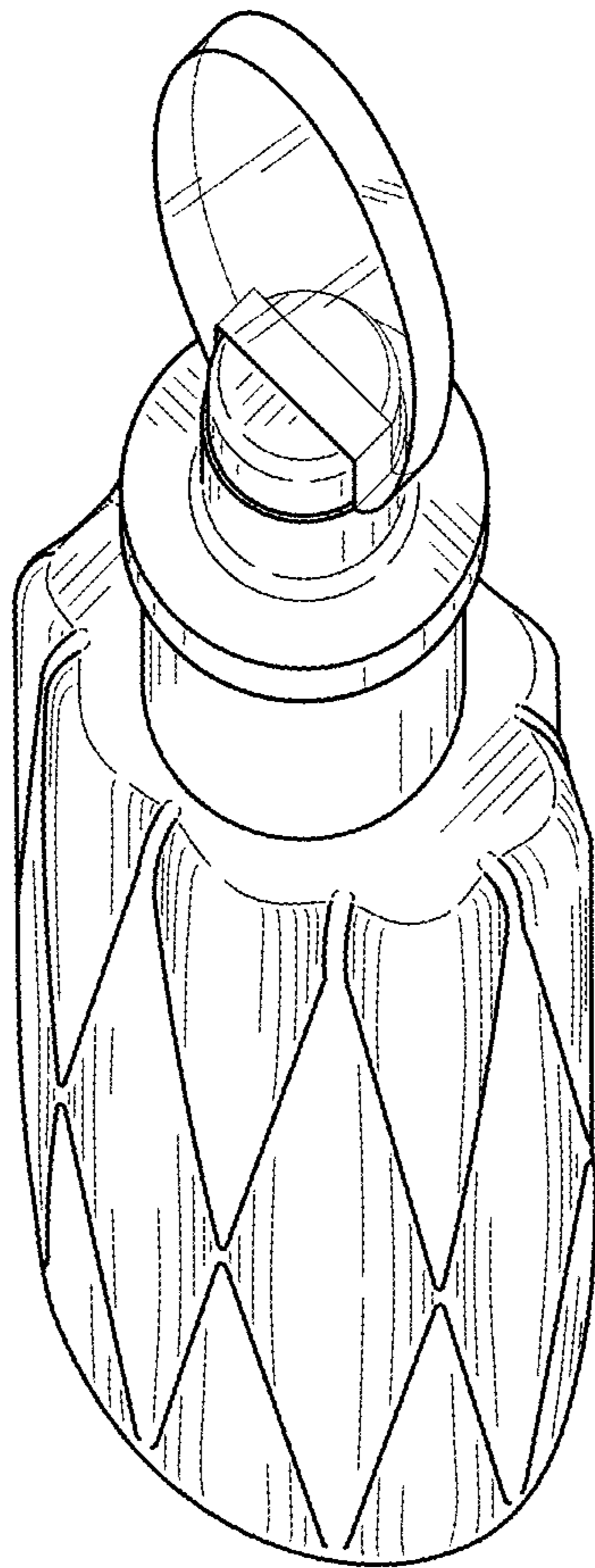


FIG. 1

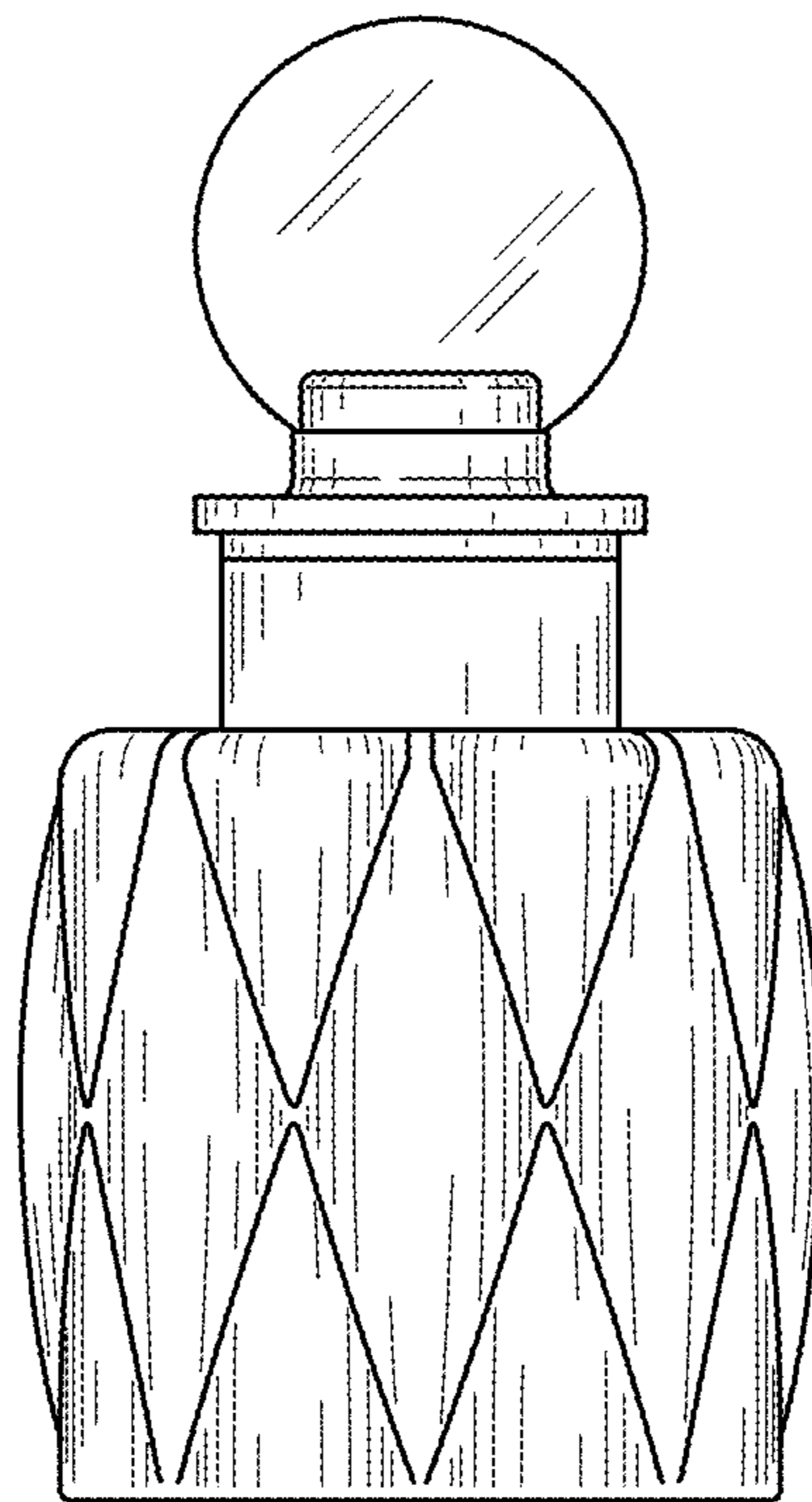


FIG. 2

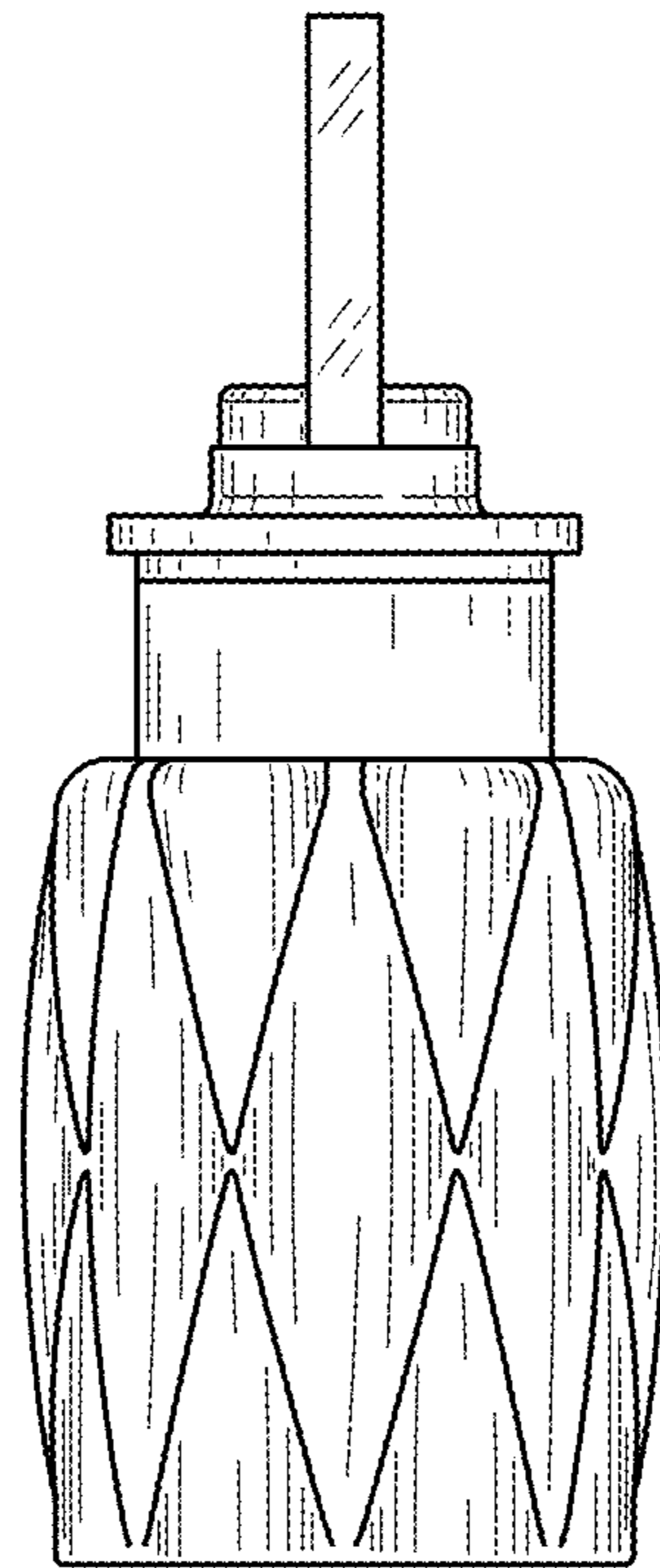


FIG. 3

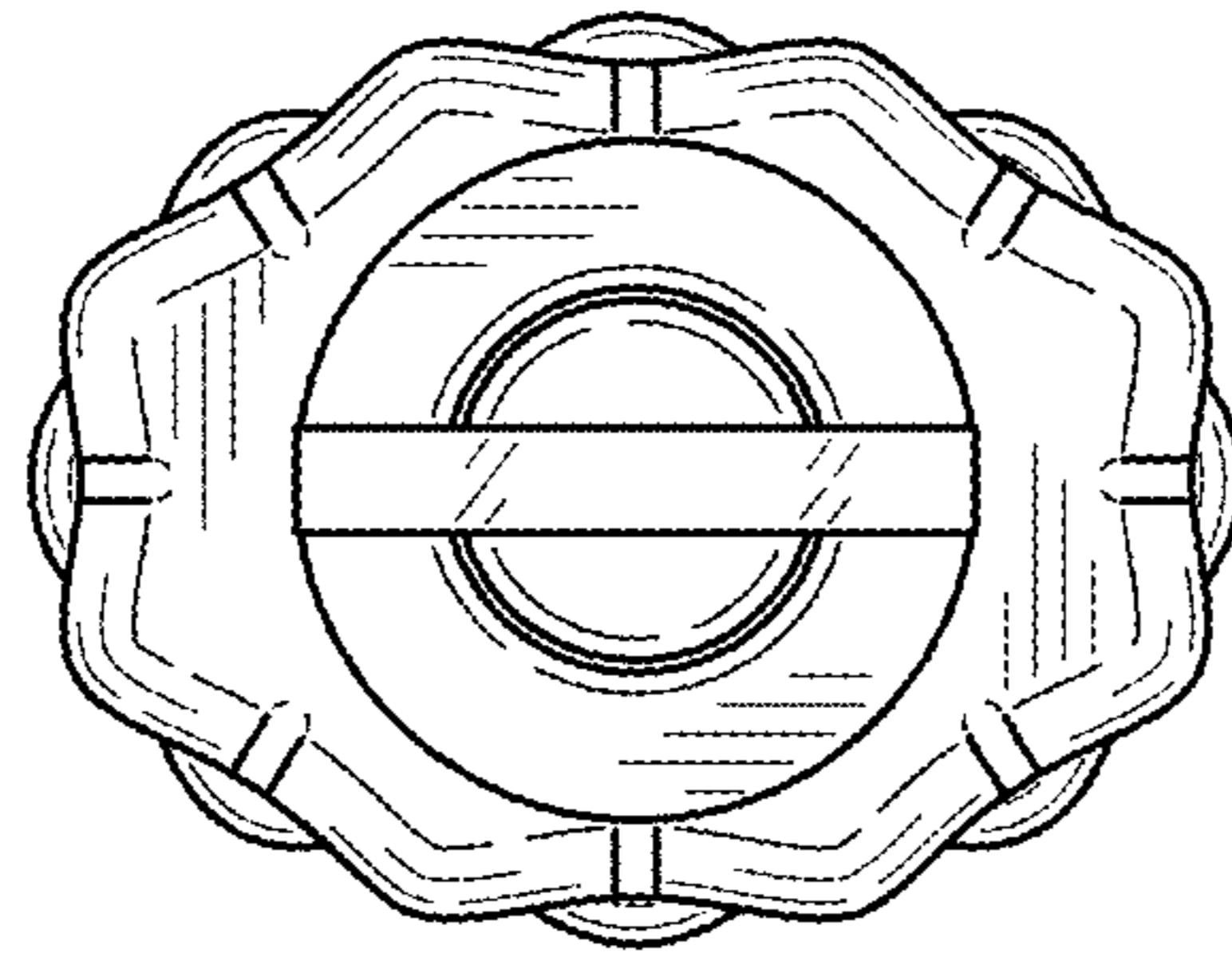


FIG. 4

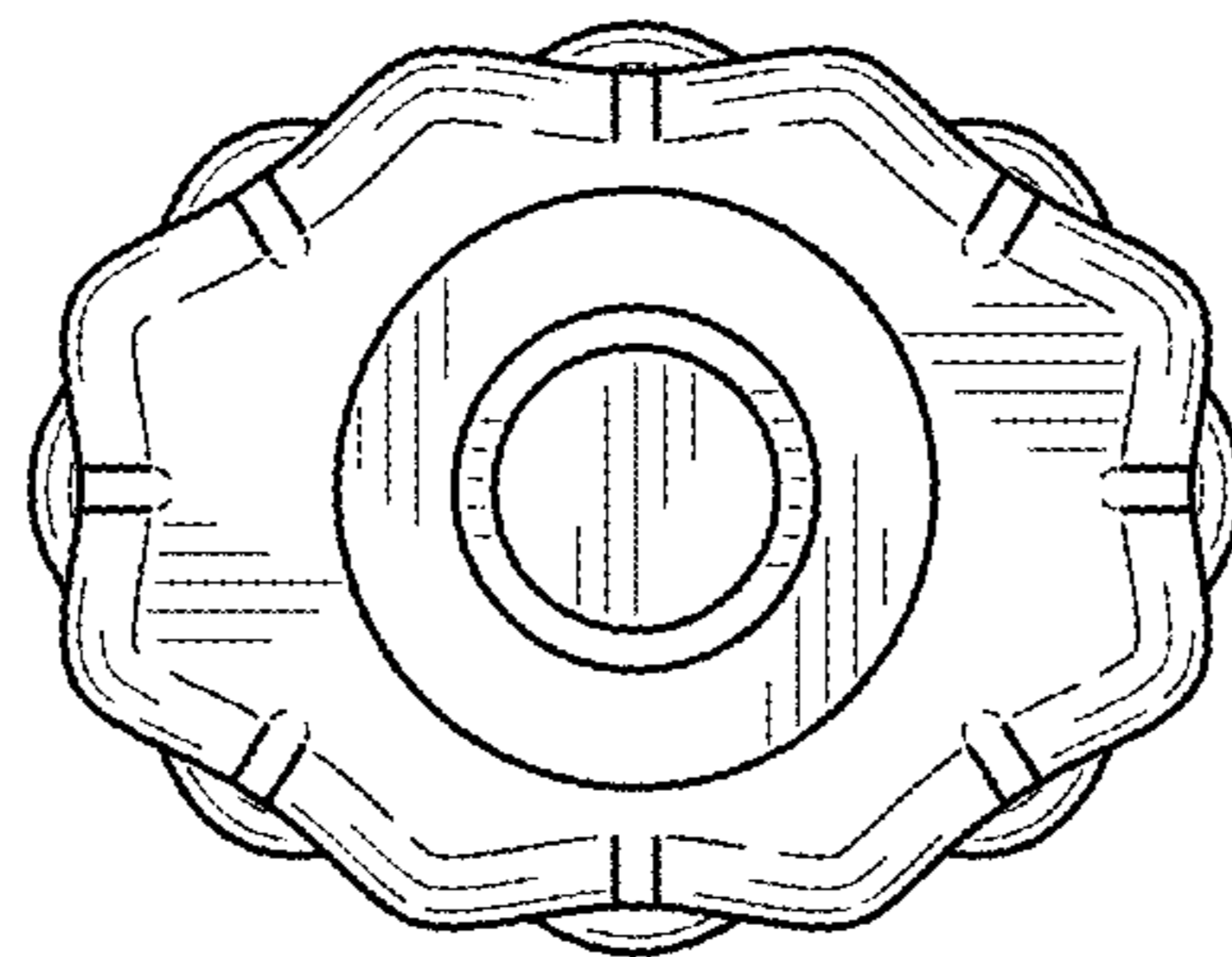
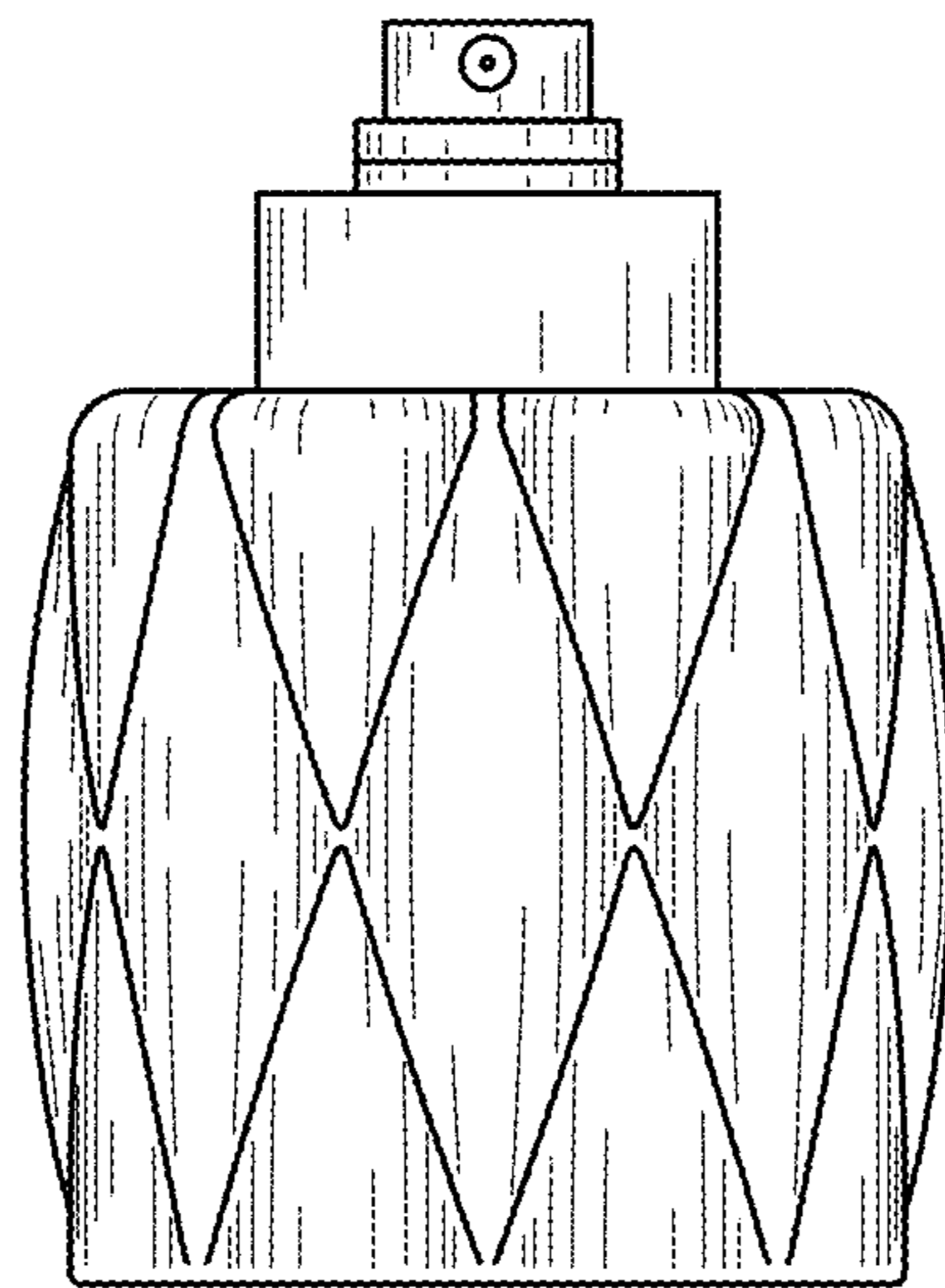
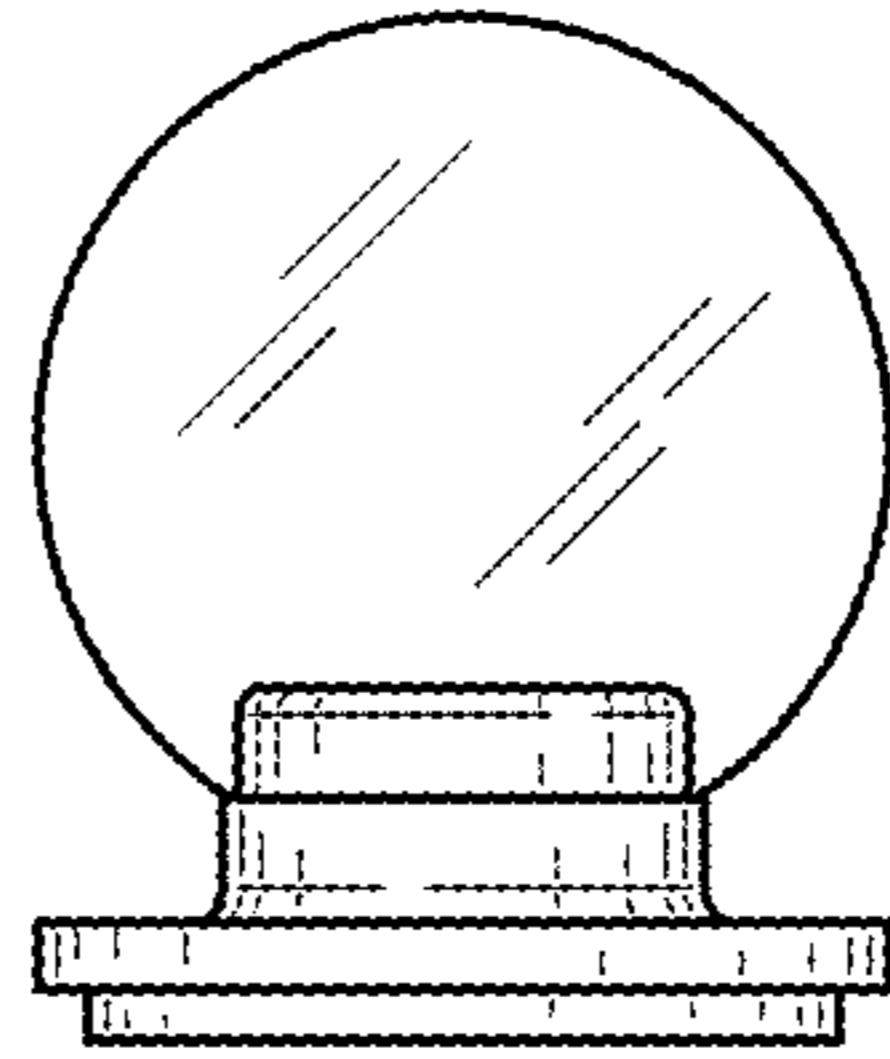


FIG. 5



**FIG. 6**

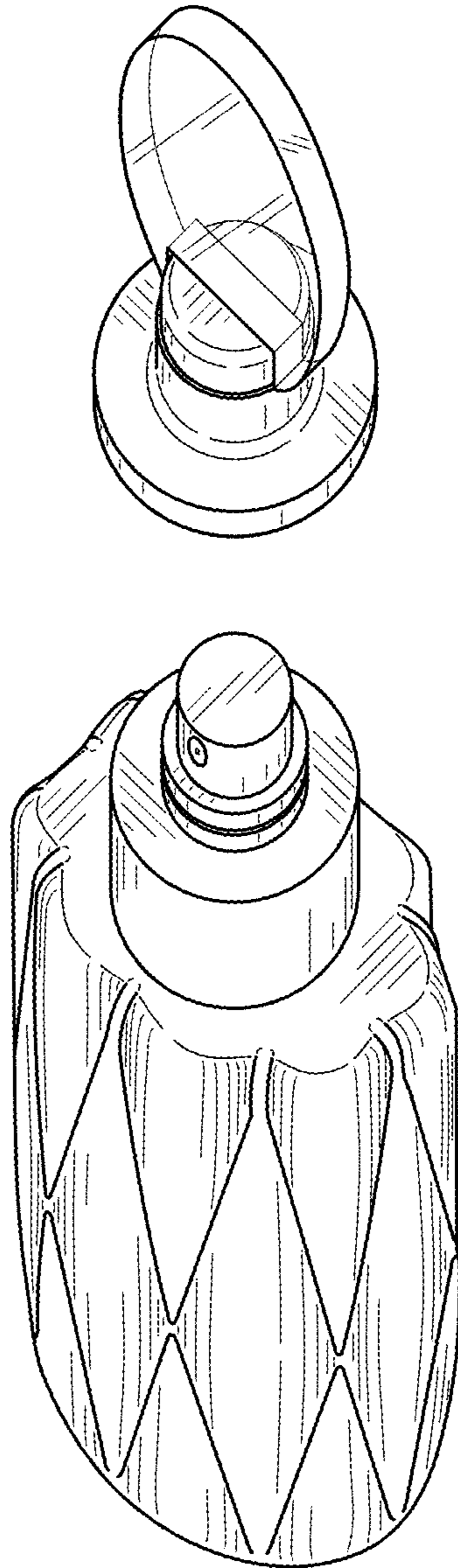


FIG. 7



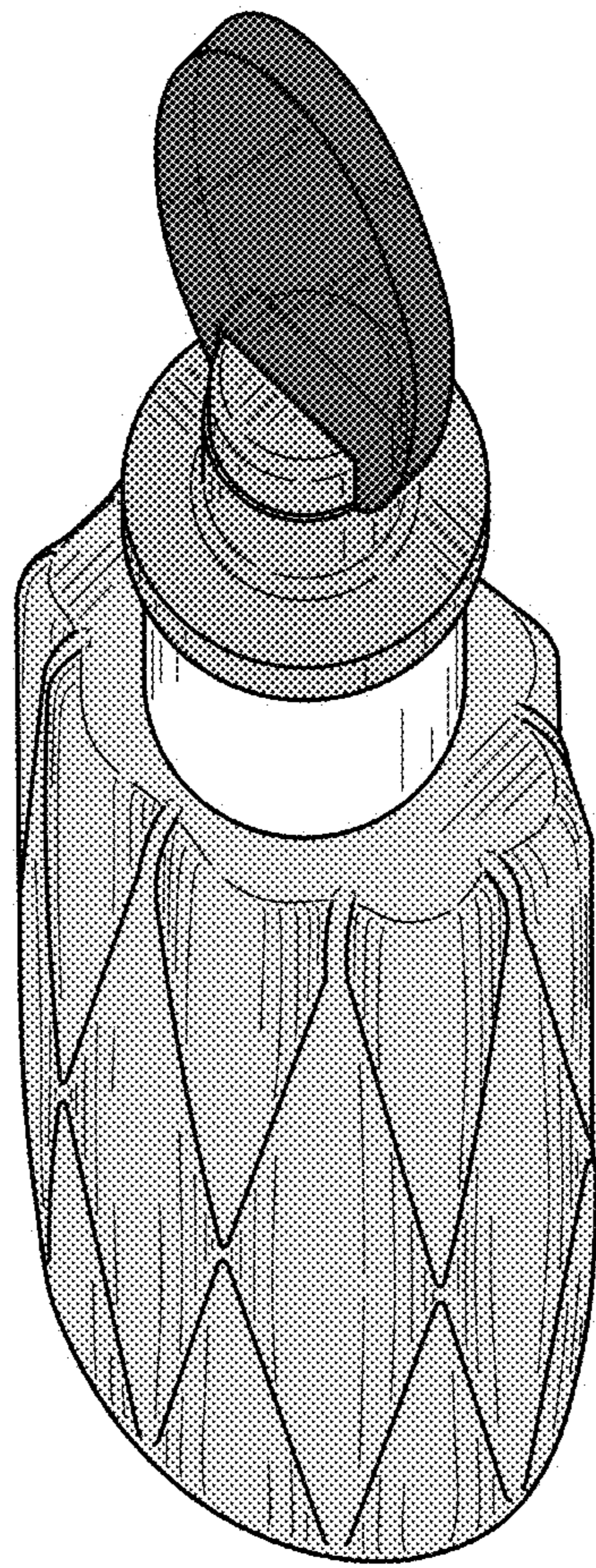


FIG. 8

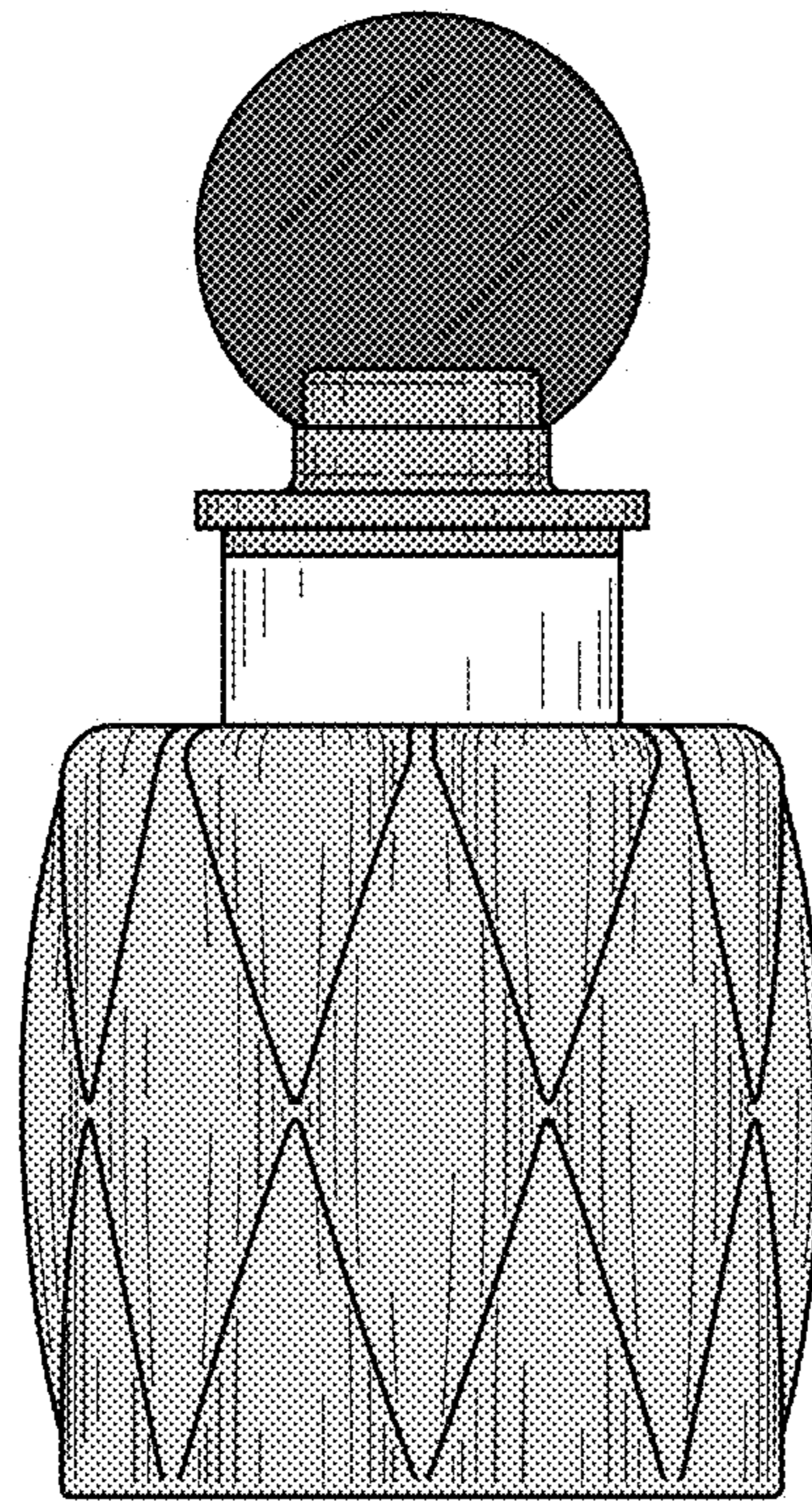


FIG. 9

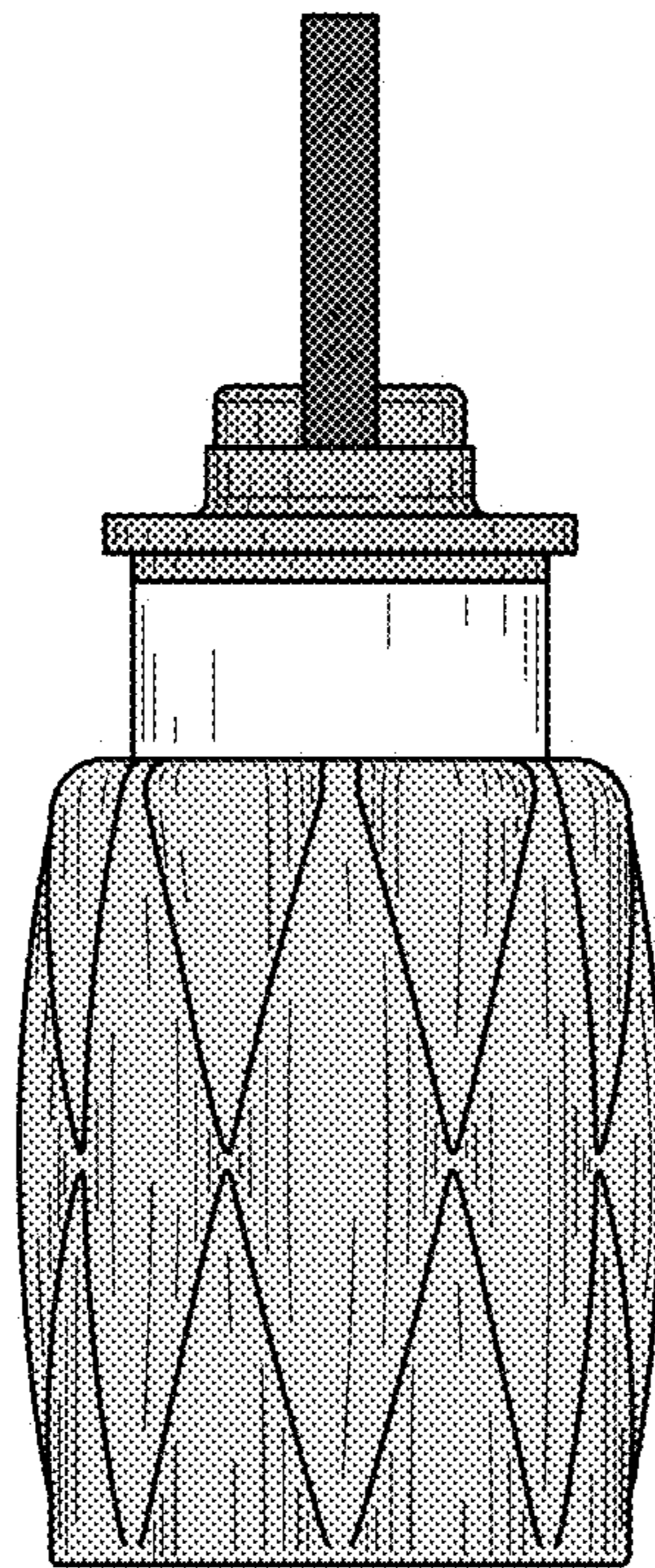


FIG. 10

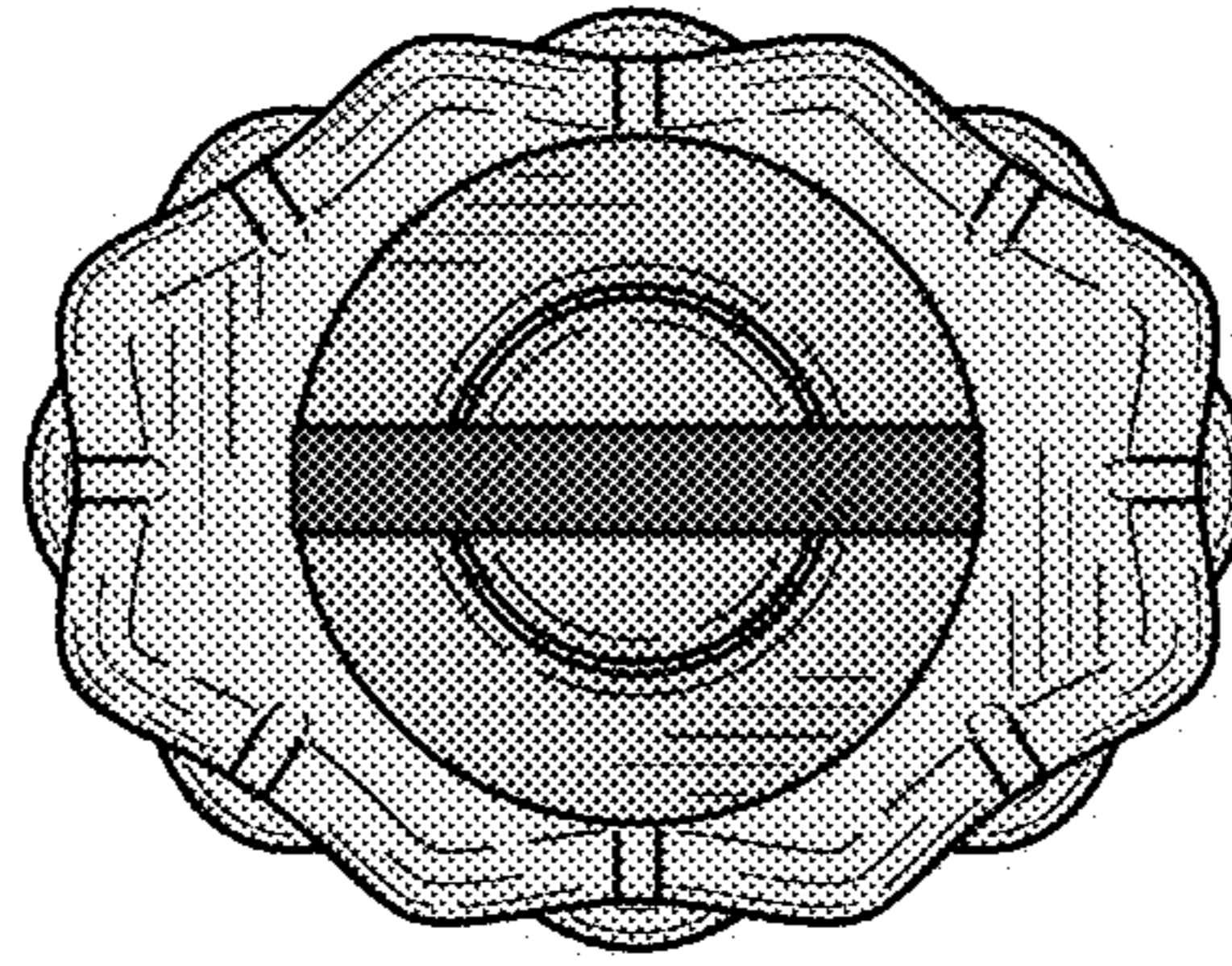


FIG. 11

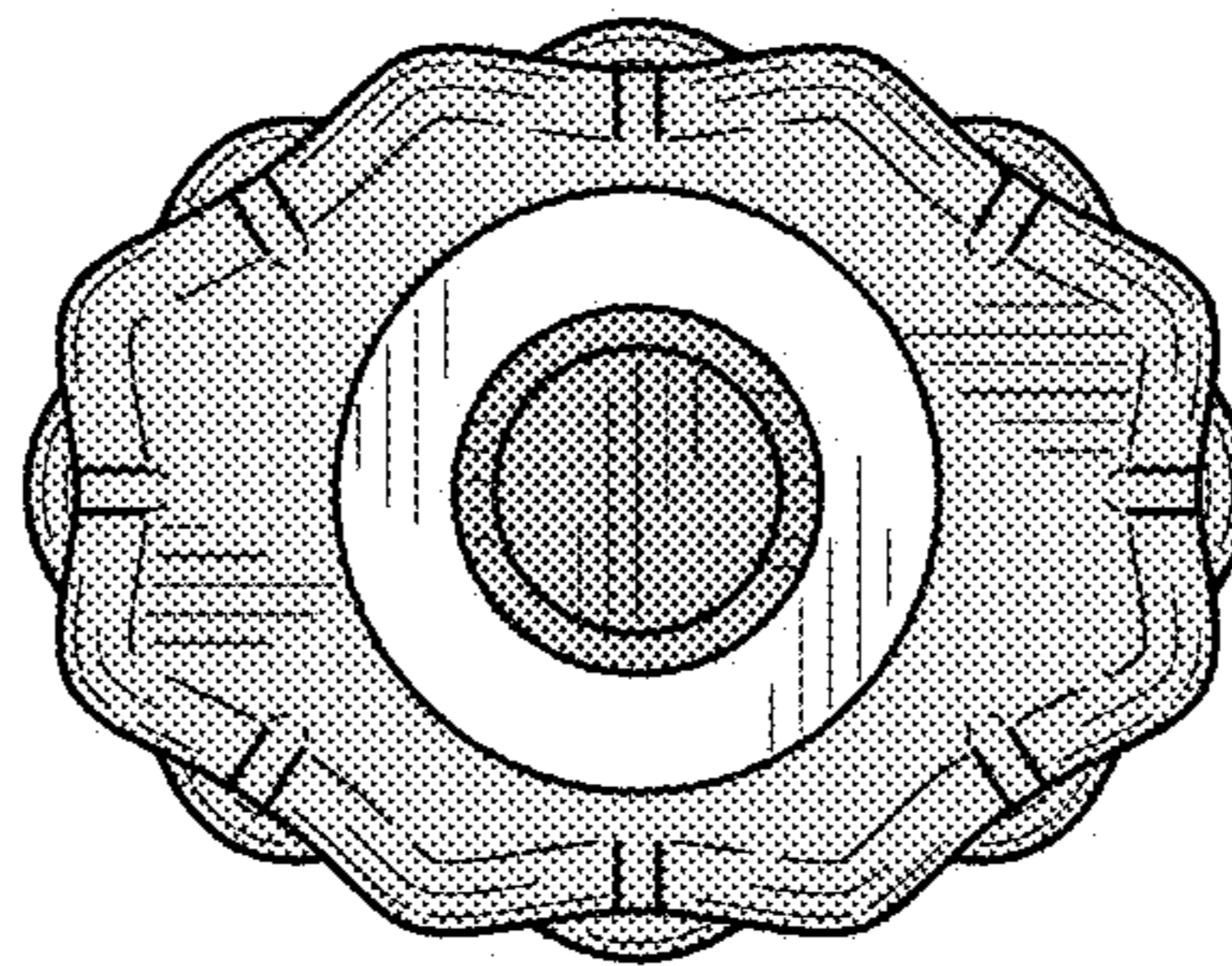


FIG. 12

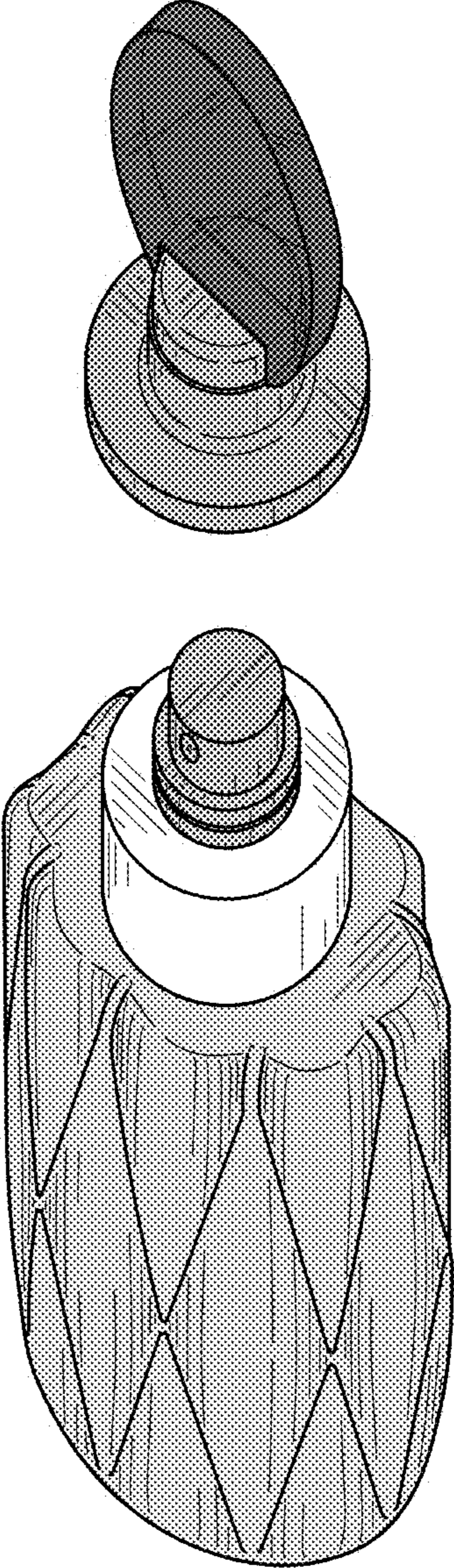


FIG. 13