



US00D752989S

(12) **United States Design Patent**
Shawishian et al.

(10) **Patent No.:** **US D752,989 S**

(45) **Date of Patent:** **** Apr. 5, 2016**

- (54) **GRENADE-SHAPED CONTAINER**
- (71) Applicants: **Elie Shawishian**, Escondido, CA (US);
Karim Elamrani, San Diego, CA (US)
- (72) Inventors: **Elie Shawishian**, Escondido, CA (US);
Karim Elamrani, San Diego, CA (US)
- (73) Assignees: **FLAVORBOM TOBACCO, INC.**, San Diego, CA (US); **LIT DISTRIBUTION, LLC**, Escondido, CA (US)
- (**) Term: **14 Years**
- (21) Appl. No.: **29/517,696**
- (22) Filed: **Feb. 16, 2015**
- (51) **LOC (10) Cl.** **09-01**
- (52) **U.S. Cl.**
USPC **D9/680**
- (58) **Field of Classification Search**
USPC D9/600, 680; 206/457, 494, 459.5, 527,
206/540; 229/116.1; D22/112;
215/381-384, 400; D7/514-516, 539,
D7/544, 571, 579, 604, 613, 619.2,
D7/628-630, 391-392.1; D3/270-271.2
CPC B65D 67/00; B65D 81/36; B65D 81/60;
B65D 81/368; B65D 2203/00; B65D 2203/02;
A63H 33/16
See application file for complete search history.

- D616,718 S * 6/2010 van der Lande D3/210
- D660,177 S * 5/2012 Ferenc D22/112
- D662,425 S * 6/2012 Barratt D22/112
- D683,235 S * 5/2013 Albert D22/112
- D708,071 S * 7/2014 Auth D9/680

* cited by examiner

Primary Examiner — Sandra Morris

(57) **CLAIM**
The ornamental design for a grenade-shaped container, as shown and described.

DESCRIPTION

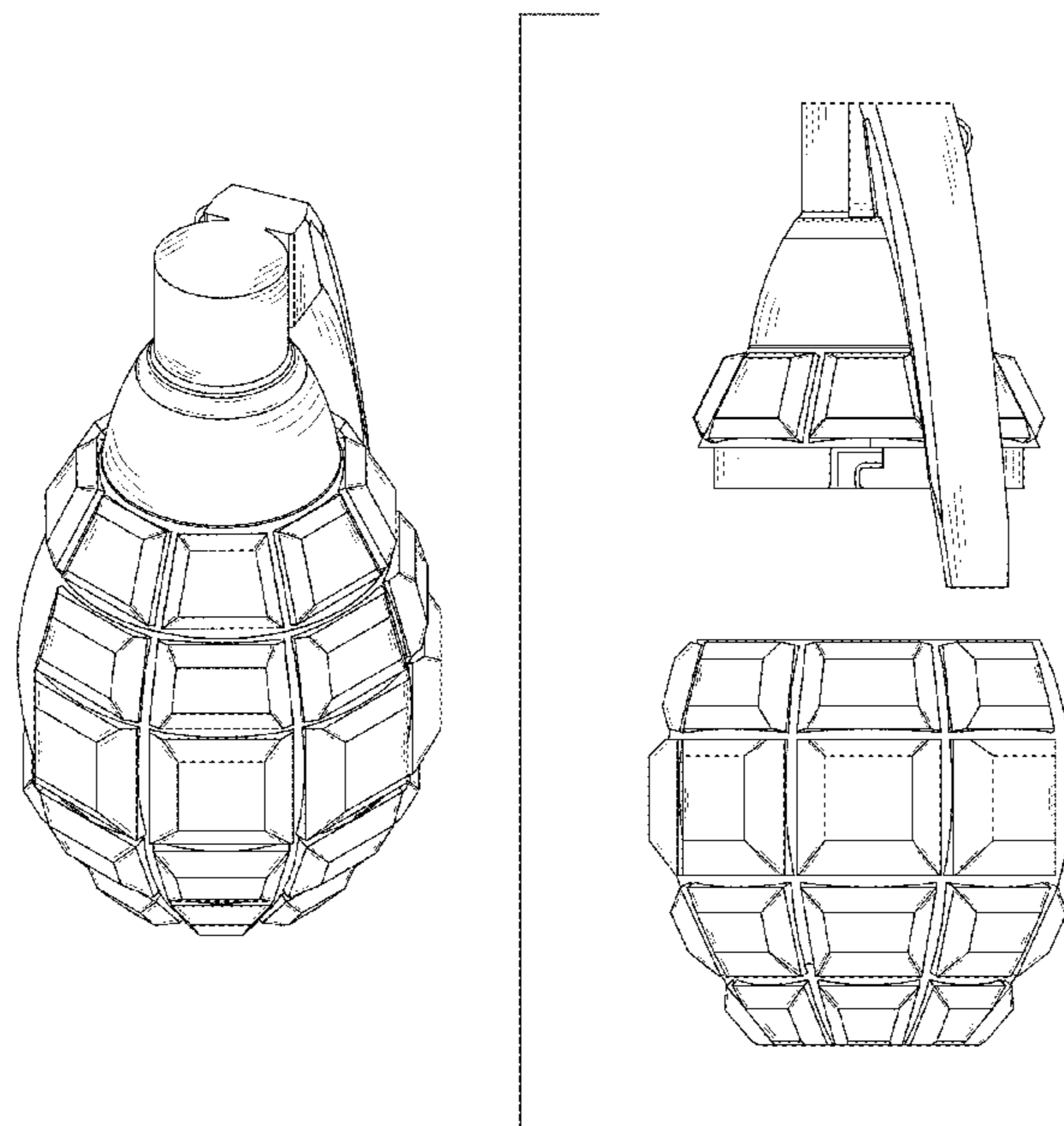
FIG. 1 is a perspective view of a grenade-shaped container showing our new design;
 FIG. 2 is a front elevational view thereof;
 FIG. 3 is a rear elevational view thereof;
 FIG. 4 is a right-side elevational view thereof;
 FIG. 5 is a left-side elevational view thereof;
 FIG. 6 is a top plan view thereof;
 FIG. 7 is a bottom plan view thereof;
 FIG. 8 is a bottom perspective view thereof;
 FIG. 9 is an exploded perspective view thereof;
 FIG. 10 is an exploded rear elevational view thereof;
 FIG. 11 is front view thereof, showing the plane upon which a cross-sectional view is taken and shown in FIG. 12;
 FIG. 12 is a perspective cross-sectional view taken along line 12-12 of FIG. 11;
 FIG. 13 is a perspective view showing a bottom piece of the grenade-shaped container, shown broken away for ease of illustration;
 FIG. 14 is a rear perspective view thereof;
 FIG. 15 is a bottom perspective view showing a top piece of the grenade-shaped container, shown broken away for ease of illustration; and,
 FIG. 16 is a rear bottom perspective view thereof.

(56) **References Cited**

U.S. PATENT DOCUMENTS

- 4,328,755 A * 5/1982 Frost F42B 12/20
102/486
- D434,332 S * 11/2000 Sir D9/680
- D472,800 S * 4/2003 Levanen D22/112

1 Claim, 16 Drawing Sheets



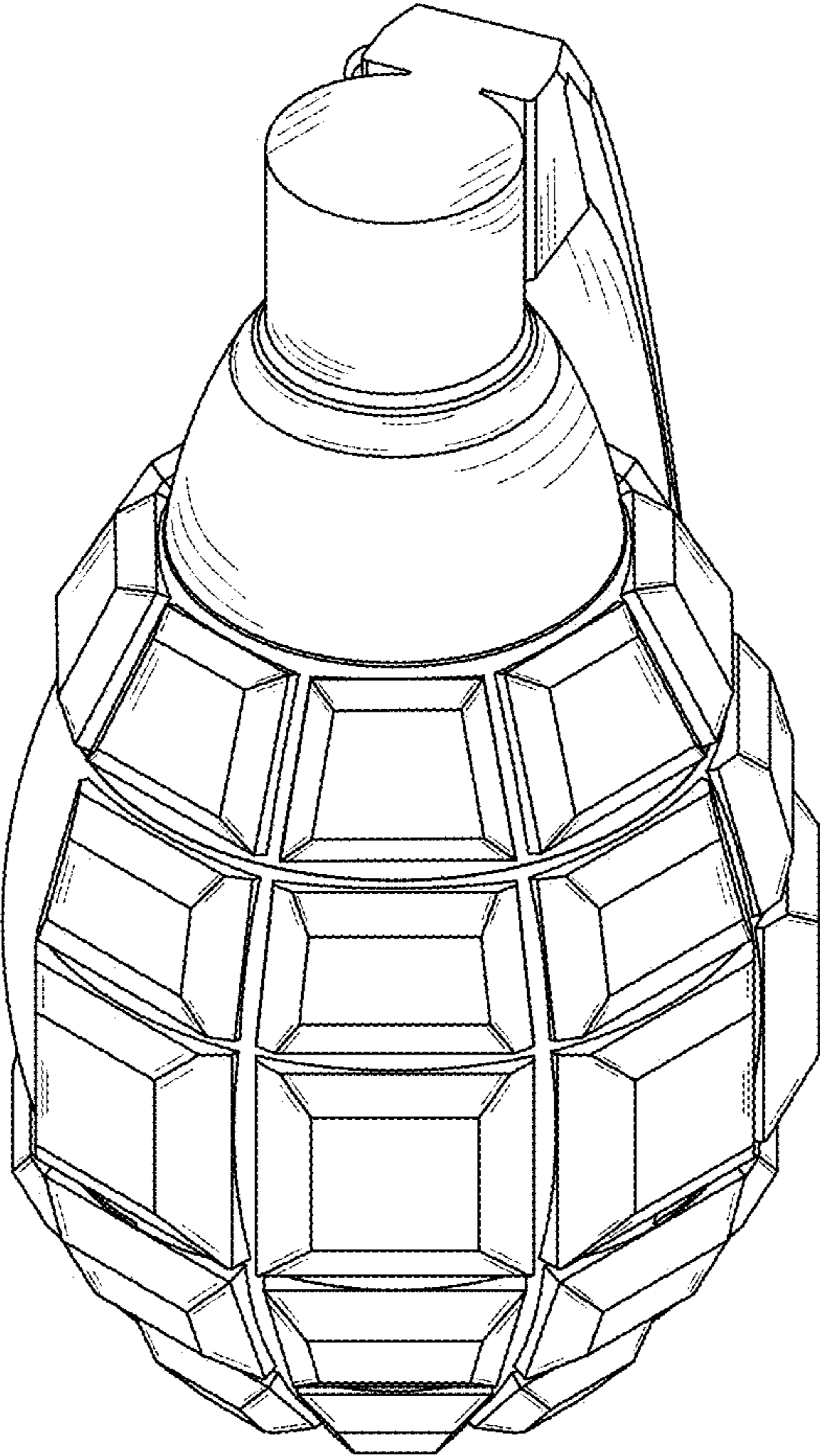


FIG. 1

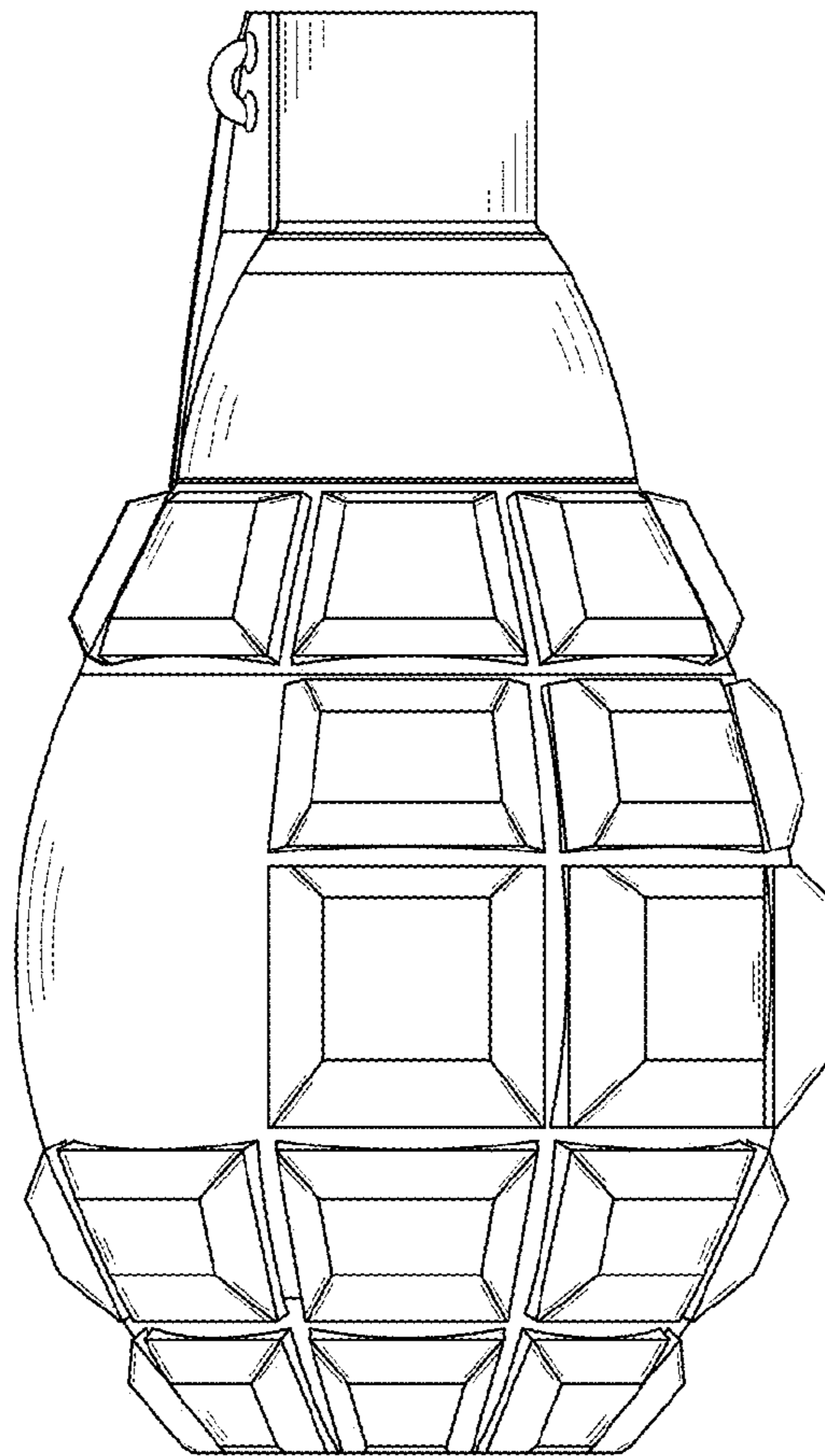


FIG. 2

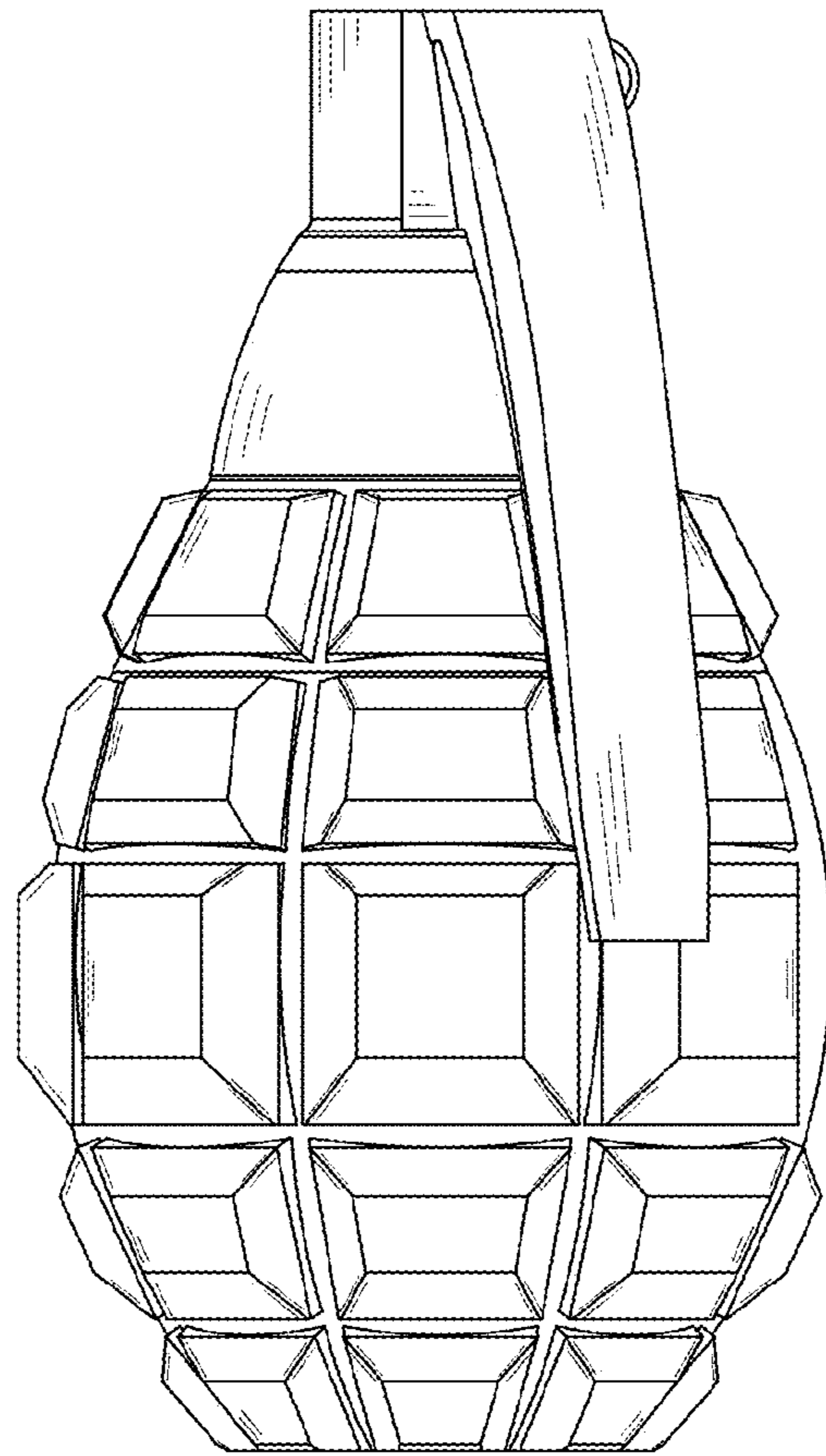


FIG. 3

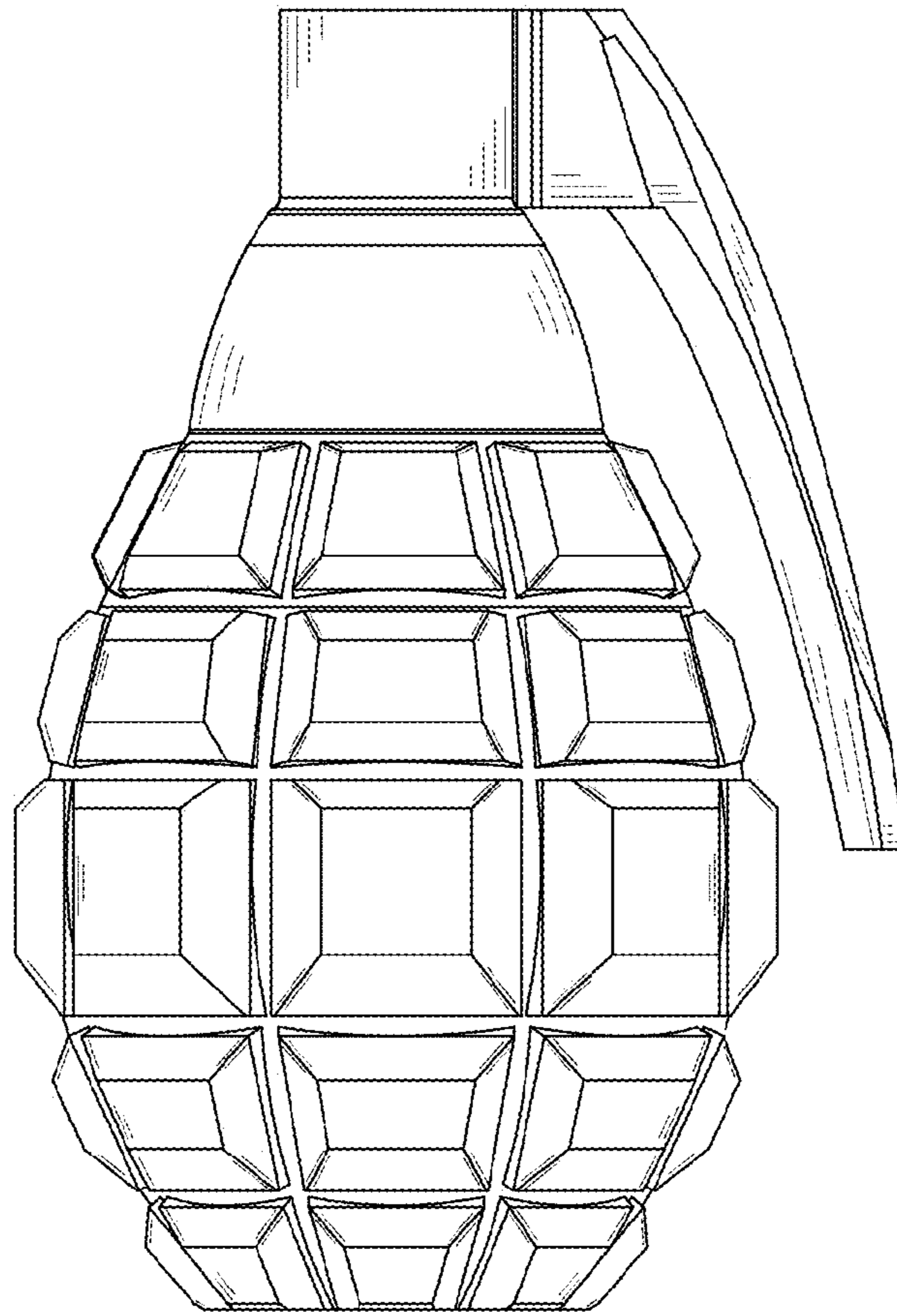


FIG. 4

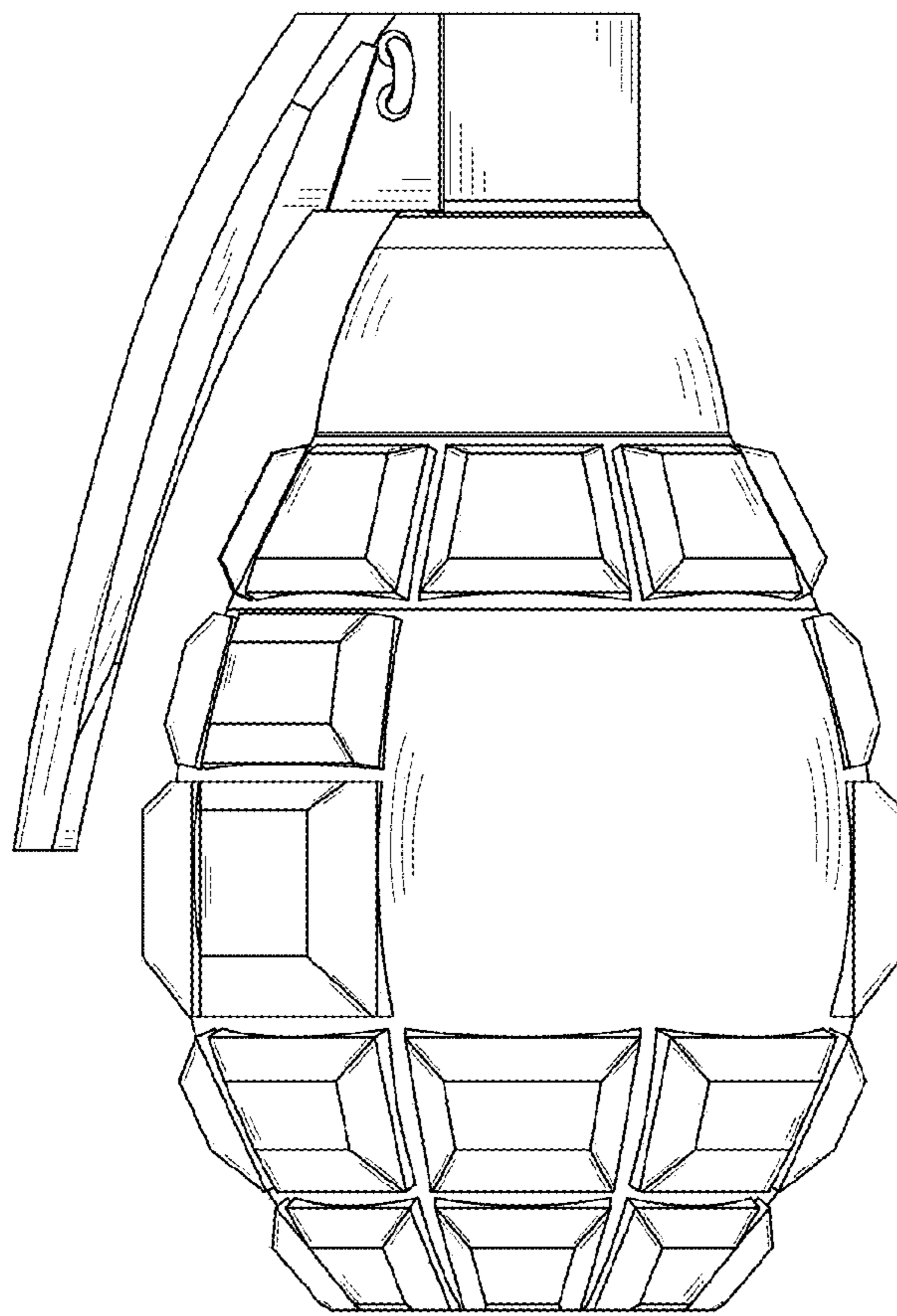


FIG. 5

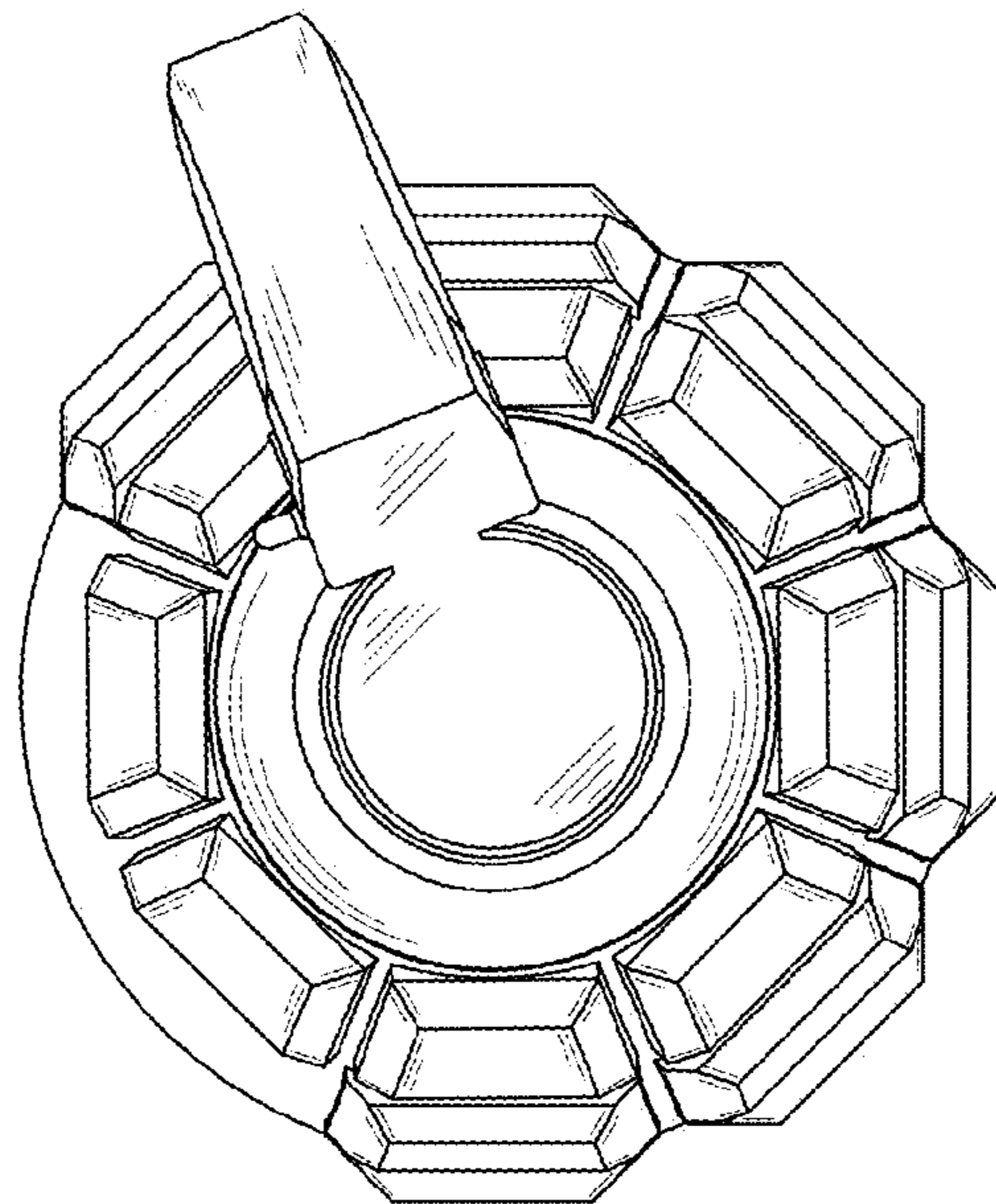


FIG. 6

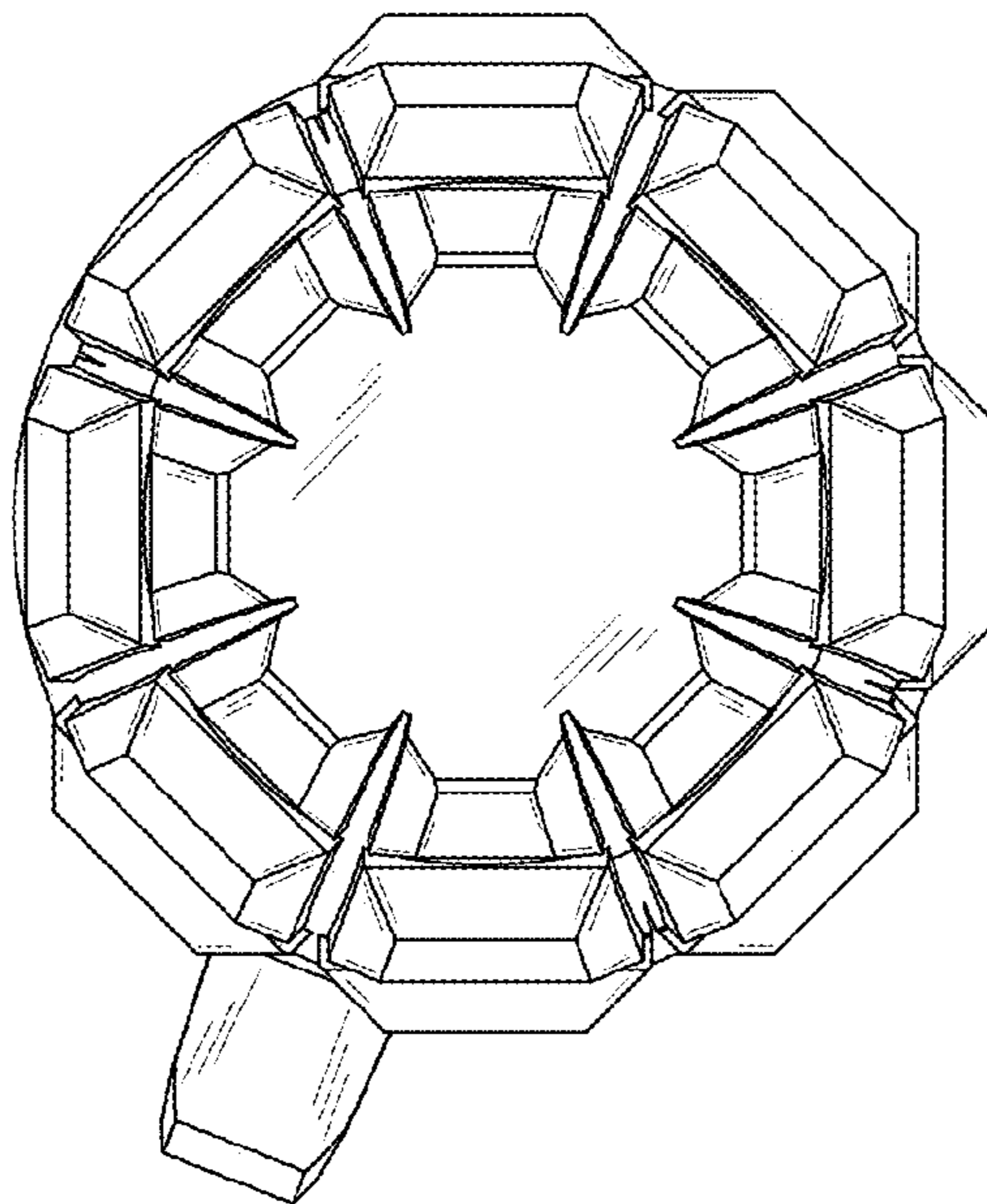


FIG. 7

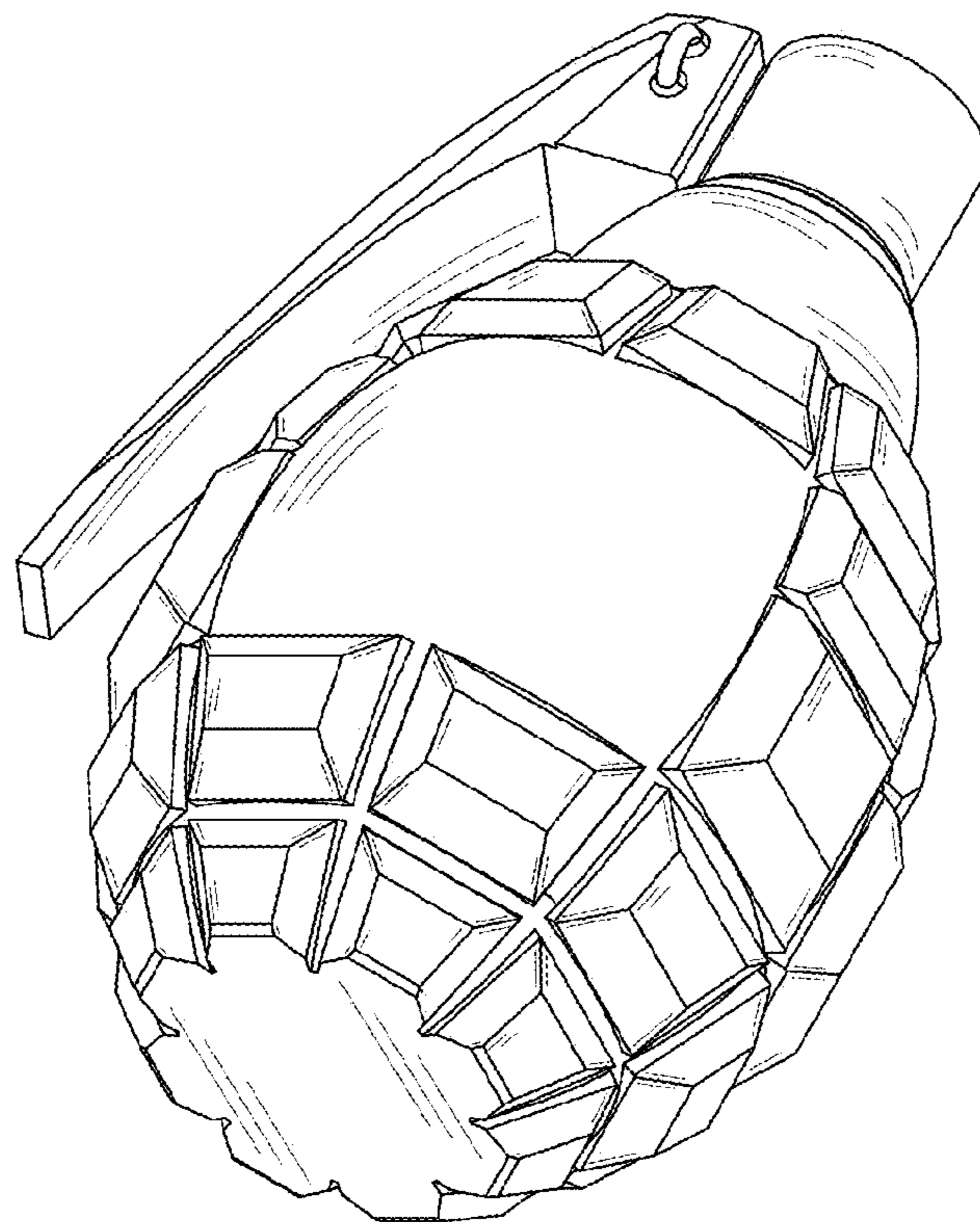


FIG. 8

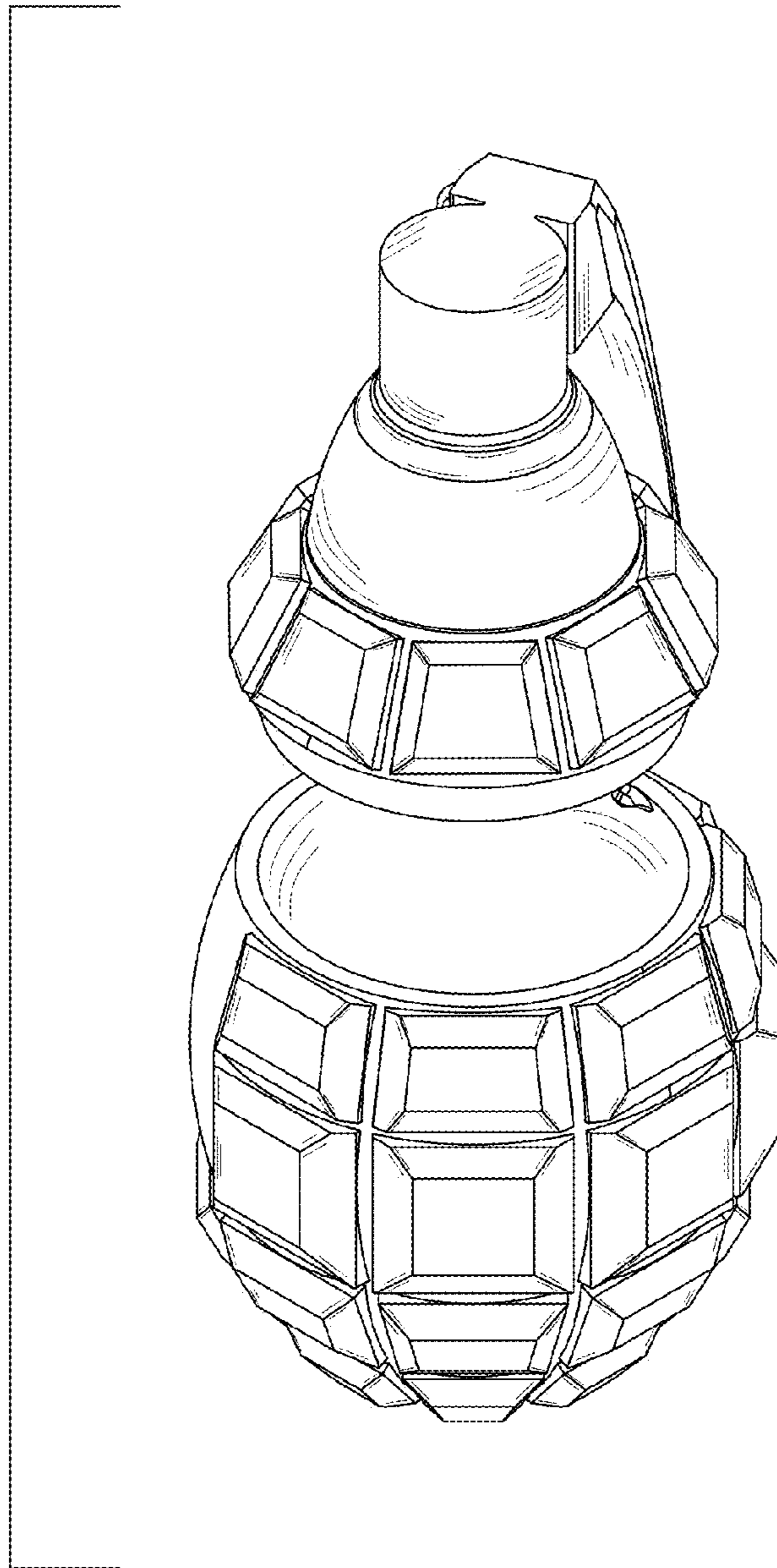


FIG. 9

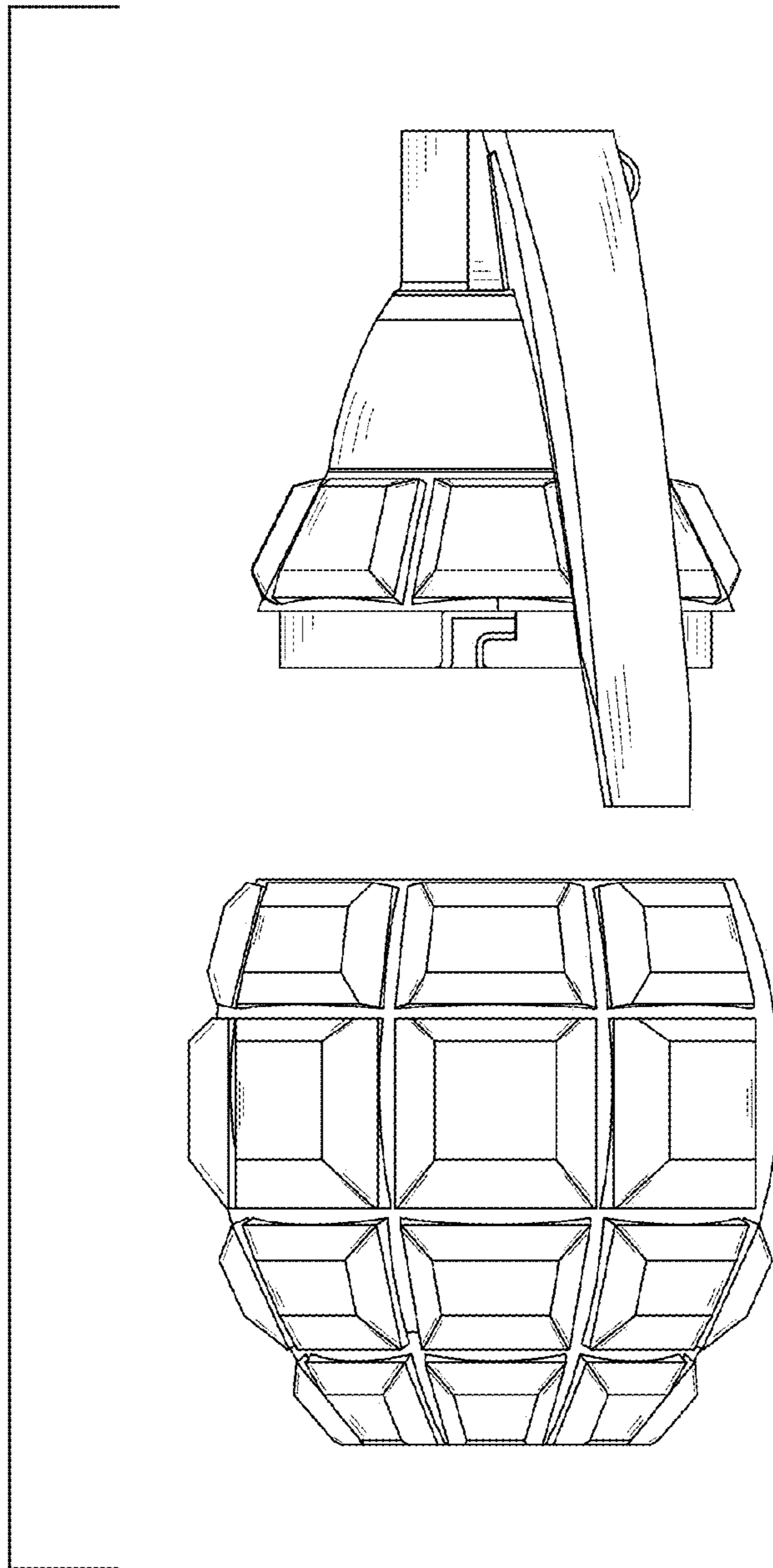


FIG. 10

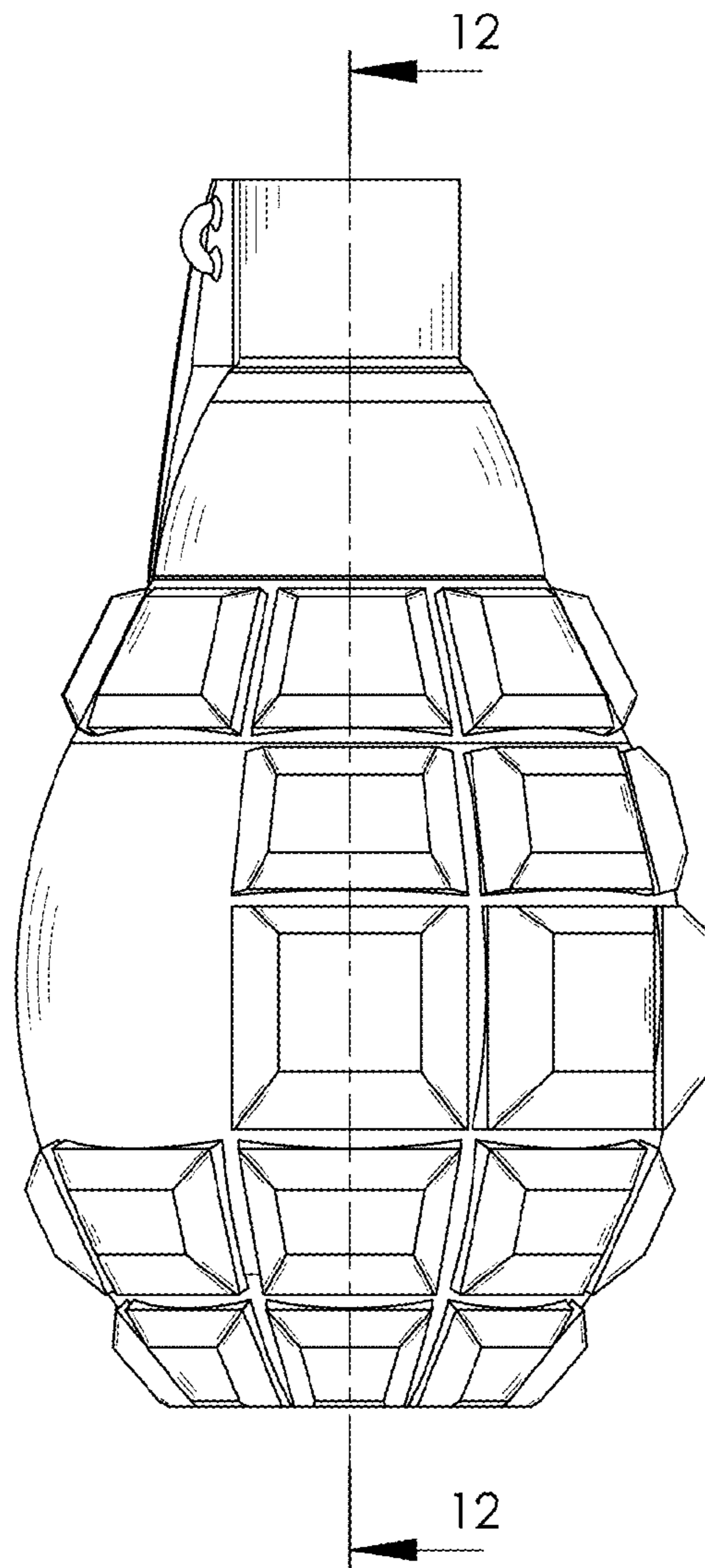


FIG. 11

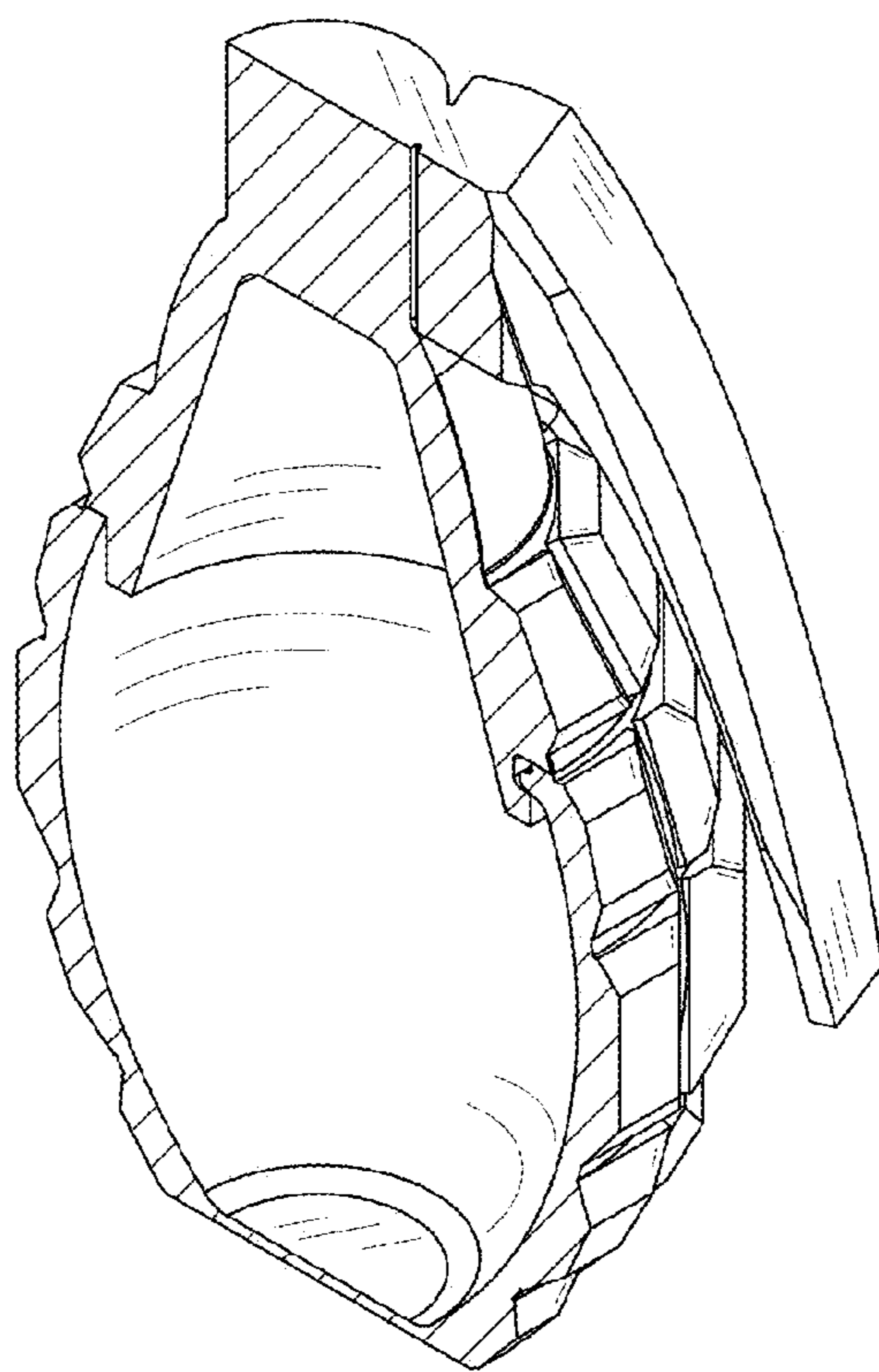


FIG. 12

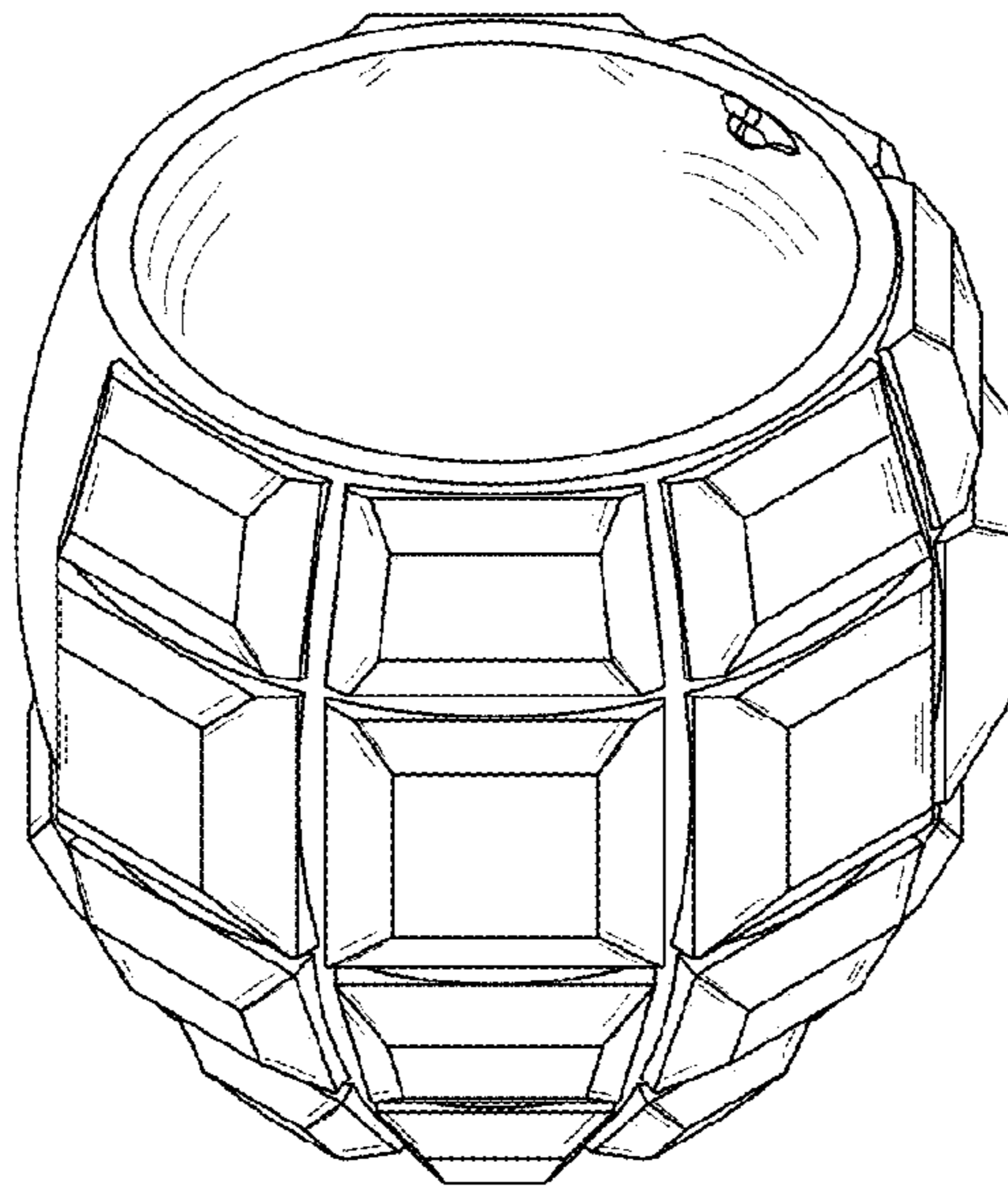


FIG. 13

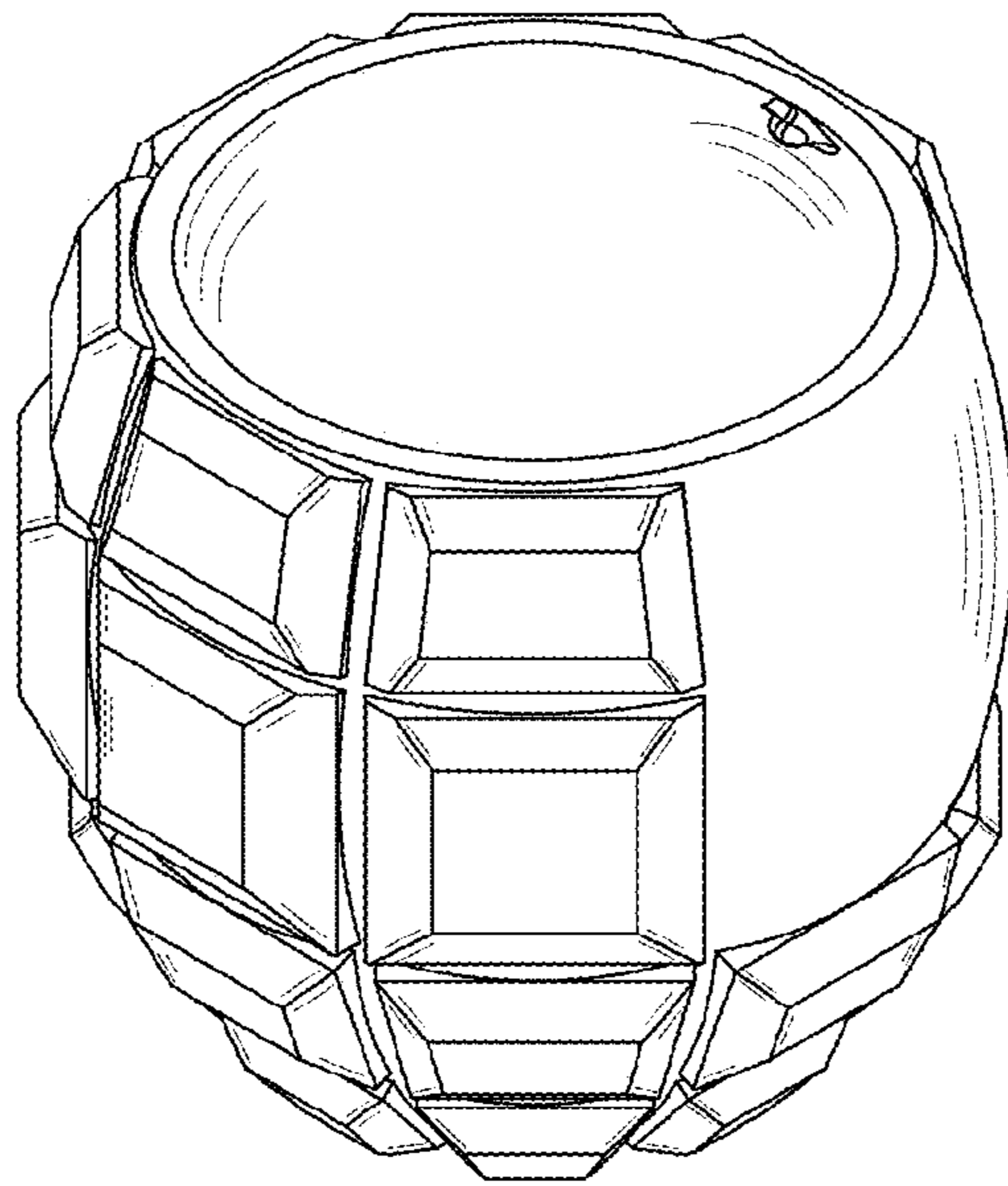


FIG. 14

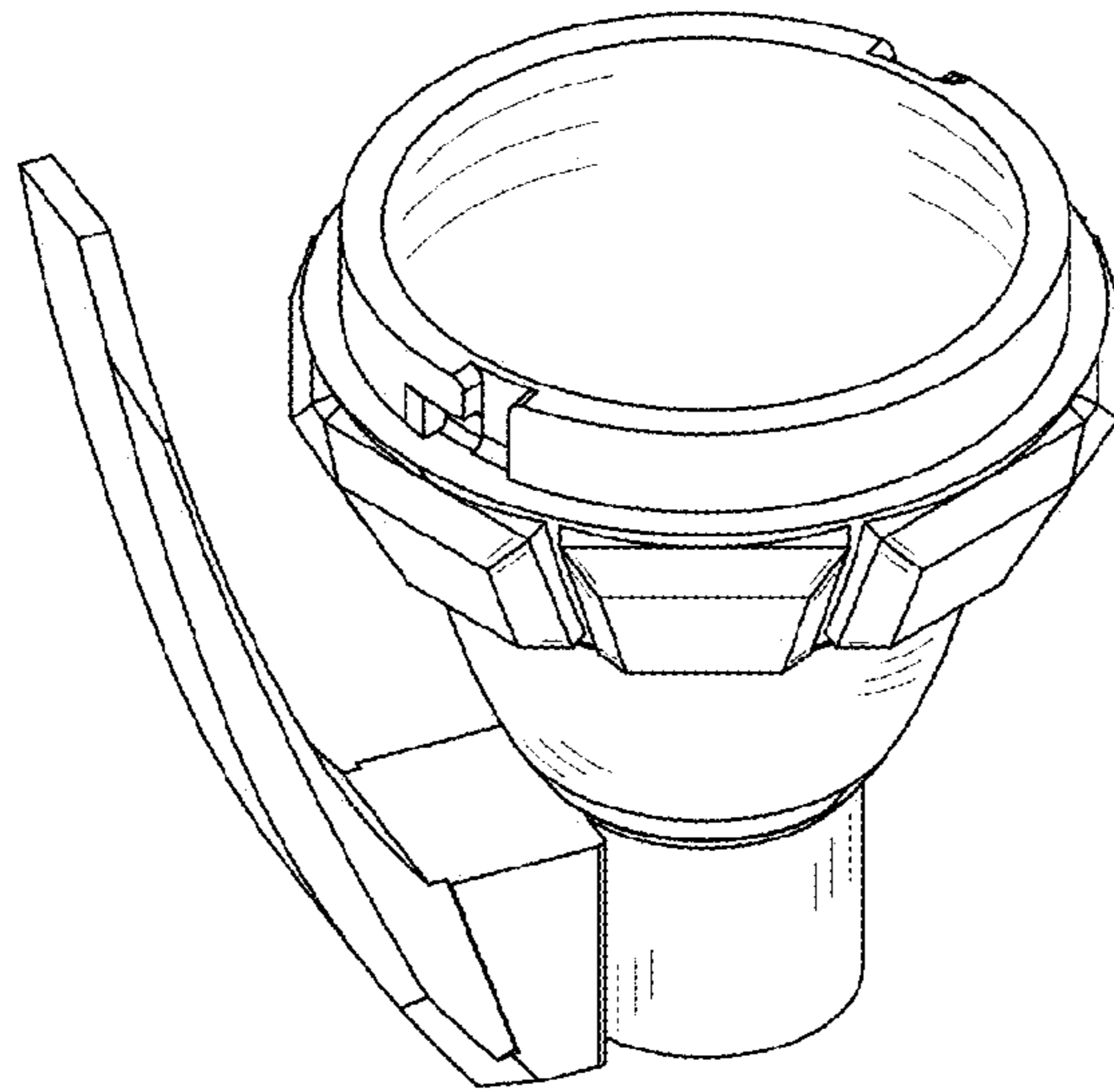


FIG. 15

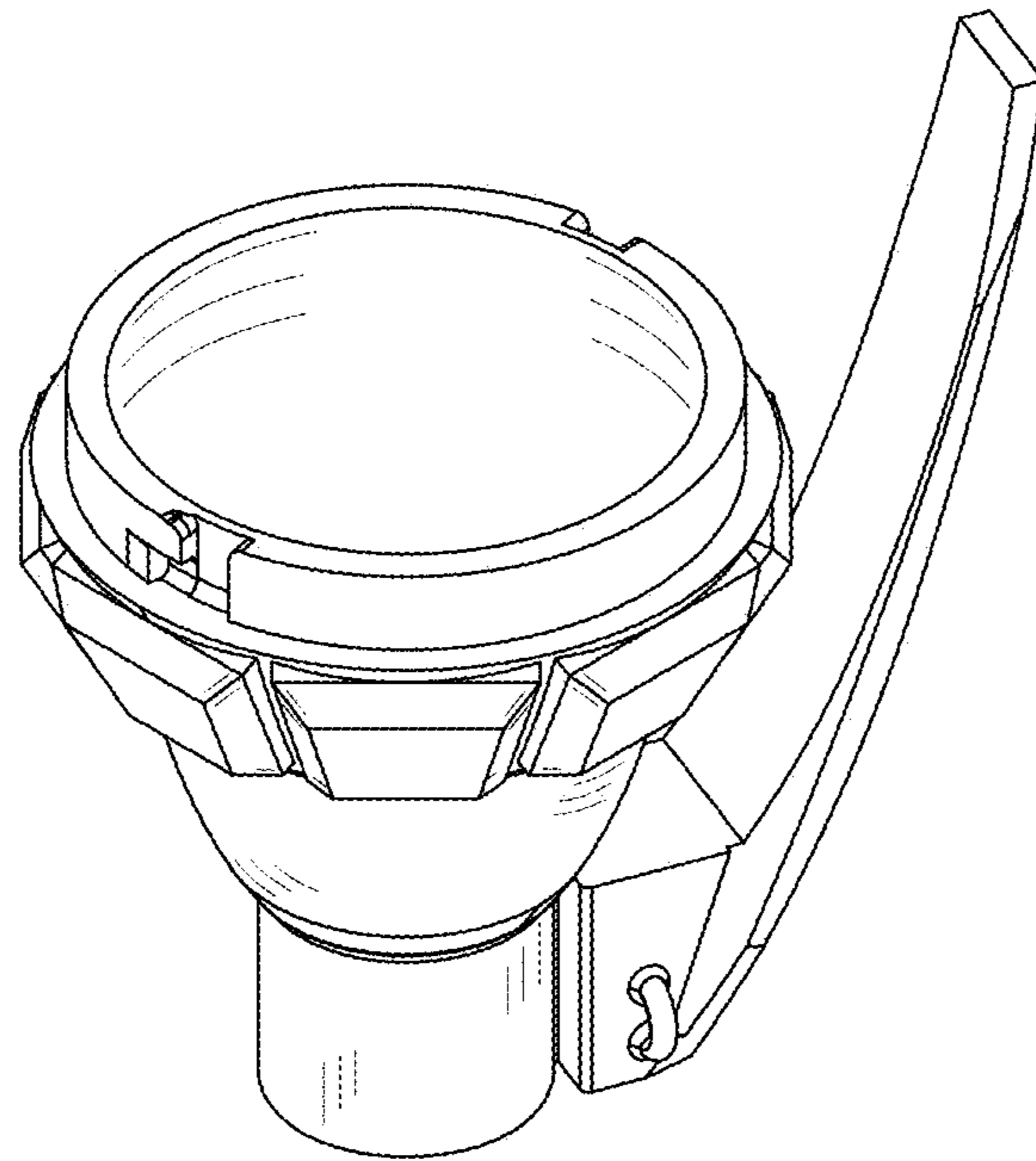


FIG. 16