



US00D752987S

(12) **United States Design Patent**  
**Dyer et al.**

(10) **Patent No.:** **US D752,987 S**  
(45) **Date of Patent:** **\*\* Apr. 5, 2016**

(54) **COMBINED TOTTLE BOTTLE AND CAP**

(71) Applicant: **EUROPEAN SUGAR HOLDINGS S.A.R.L.**, Capellen (LU)

(72) Inventors: **William Richard Dyer**, Boynton Beach, FL (US); **Mark Humphreys**, Hockley (GB); **Tamas Fuzer**, Chipstead (GB)

(73) Assignee: **EUROPEAN SUGAR HOLDINGS S.A.R.L.**, Capellen (LU)

(\*\*) Term: **14 Years**

(21) Appl. No.: **29/479,655**

(22) Filed: **Jan. 17, 2014**

(51) **LOC (10) Cl.** ..... **09-01**

(52) **U.S. Cl.**  
USPC ..... **D9/563; D9/520; D9/521; D9/529; D9/550; D9/571**

(58) **Field of Classification Search**  
USPC ..... D3/202, 203.2, 901; D4/116; D7/300.1, D7/313, 401.1, 590-612, 619.1, 769; D9/519, 520, 521, 522, 523, 529, 530, D9/558, 559, 560, 563, 569, 571, 574, 682, D9/686-689, 719; D19/93; D21/684; D23/211.1-211.2, 366; D24/121, 124, D24/197, 224; D28/4, 7, 20, 66, 73, 76, 82, D28/85, 88, 91.1; 215/329; D29/9  
CPC ..... A61J 1/03; A61J 1/05; A47G 19/22; A47G 19/2205; A47G 19/2266; B65D 1/02; B65D 1/0223; B65D 1/08; B65D 1/10  
See application file for complete search history.

(56) **References Cited**

**U.S. PATENT DOCUMENTS**

2,981,431 A \* 4/1961 Schluttig ..... 215/329  
D280,386 S \* 9/1985 Dinand ..... D9/574

(Continued)

**OTHER PUBLICATIONS**

Non-Final Office Action issued May 8, 2015 for U.S. Appl. No. 29/479,658, filed Jan. 17, 2014 (Inventor—Dyer et al.; Applicant—European Sugar Holdings; (14 pages).

(Continued)

*Primary Examiner* — Sheryl Lane  
*Assistant Examiner* — Catherine Posthauer

(74) *Attorney, Agent, or Firm* — Ballard Spahr LLP

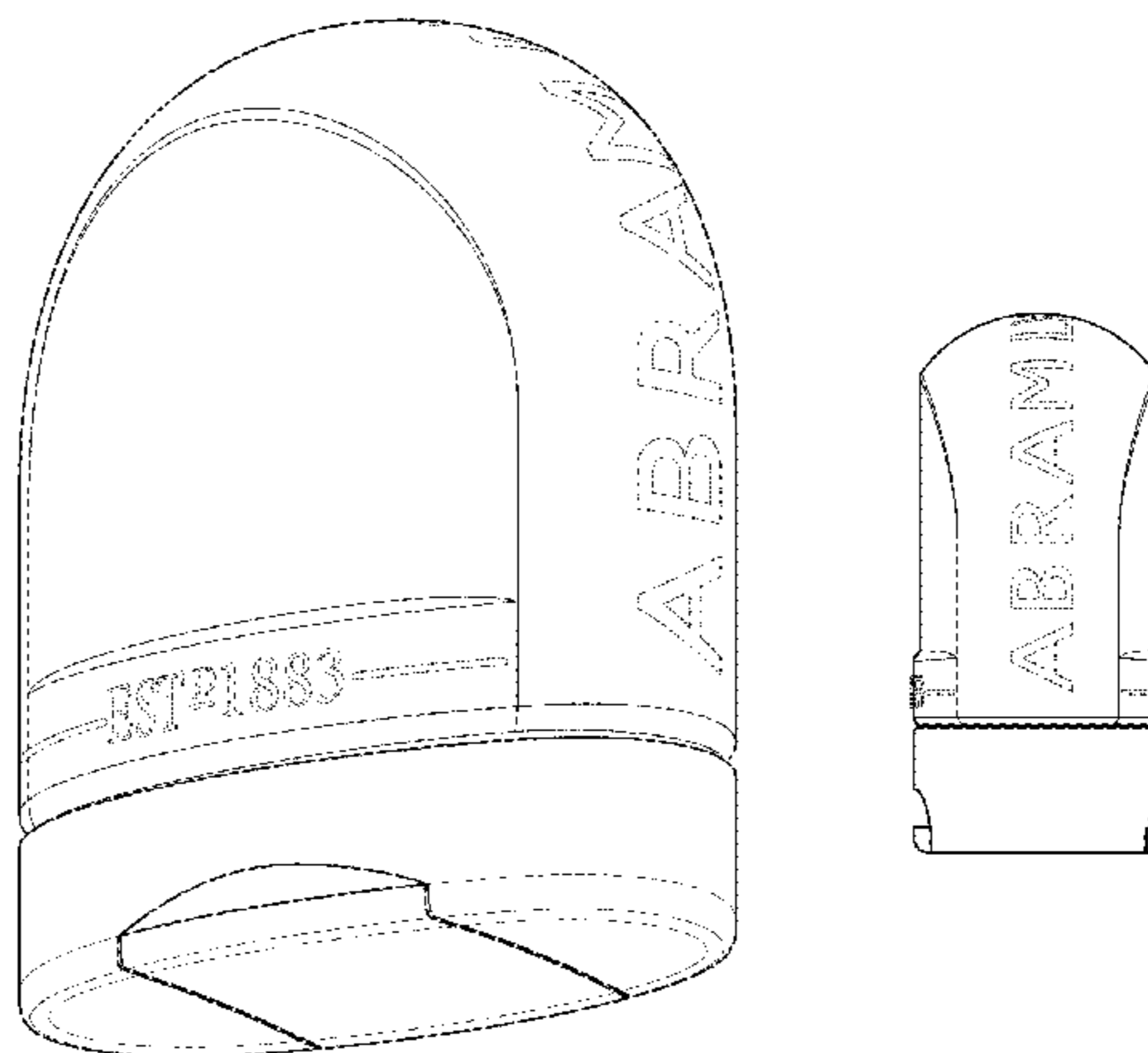
(57) **CLAIM**

The ornamental design for a combined tottle bottle and cap, as shown and described.

**DESCRIPTION**

FIG. 1 is a perspective view of the combined tottle bottle and cap showing our new design;  
FIG. 2 is a bottom side elevational view of a first embodiment of the combined tottle bottle and cap of FIG. 1;  
FIG. 3 is a top side elevational view of the first embodiment of the combined tottle bottle and cap of FIG. 1;  
FIG. 4 is a front elevational view of the first embodiment of the combined tottle bottle and cap of FIG. 1;  
FIG. 5 is a back elevational view of the first embodiment of the combined tottle bottle and cap of FIG. 1;  
FIG. 6 is a right side elevational view of the first embodiment of the combined tottle bottle and cap of FIG. 1;  
FIG. 7 is a left side elevational view of the first embodiment of the combined tottle bottle and cap of FIG. 1;  
FIG. 8 is a back elevational view of a second embodiment of the combined tottle bottle and cap of FIG. 1;  
FIG. 9 is a top side elevational view of the second embodiment of the combined tottle bottle and cap of FIG. 1;  
FIG. 10 is a bottom side elevational view of the second embodiment of the combined tottle bottle and cap of FIG. 1;  
FIG. 11 is a right side elevational view of the second embodiment of the combined tottle bottle and cap of FIG. 1; and,  
FIG. 12 is a left side elevational view of the second embodiment of the combined tottle bottle and cap of FIG. 1.  
The broken lines shown in the drawings are for the purpose of illustrating portions of the combined tottle bottle and Cap and form no part of the claimed design.

**1 Claim, 4 Drawing Sheets**



(56)

**References Cited**

U.S. PATENT DOCUMENTS

5,201,440 A 4/1993 Gross  
 D363,222 S 10/1995 Lay  
 D380,355 S \* 7/1997 Husted ..... D7/679  
 D403,965 S \* 1/1999 Bright et al. .... D9/503  
 D419,890 S \* 2/2000 Nosella ..... D9/571  
 D438,459 S \* 3/2001 Holthaus ..... D9/728  
 6,321,923 B1 11/2001 Wood  
 D459,232 S 6/2002 Crawford et al.  
 D480,003 S 9/2003 Blades  
 D493,576 S \* 7/2004 Ward ..... D28/66  
 D536,253 S \* 2/2007 Howes ..... D9/529  
 D538,668 S \* 3/2007 Campbell et al. .... D9/529  
 D541,923 S \* 5/2007 Castillo Higareda ..... D23/366  
 D545,210 S \* 6/2007 Armstrong et al. .... D9/563

D566,451 S \* 4/2008 Wang ..... D7/300.1  
 D582,580 S \* 12/2008 Spangler et al. .... D26/9  
 D587,591 S \* 3/2009 Crawford ..... D9/563  
 D625,189 S 10/2010 Dias  
 D637,647 S \* 5/2011 Allison et al. .... D19/73  
 D641,627 S 7/2011 Rosenauer  
 D672,654 S 12/2012 Jackel  
 D711,231 S 8/2014 Pun  
 D716,548 S \* 11/2014 Seehoff et al. .... D3/264  
 D720,096 S \* 12/2014 McDougall ..... D28/66

OTHER PUBLICATIONS

Notice of Allowance issued Jun. 29, 2015 for U.S. Application No. 29/479,662, filed Jan. 17, 2014 (Inventor—Dyer et al.; Applicant—European Sugar Holdings; (8 pages).

\* cited by examiner

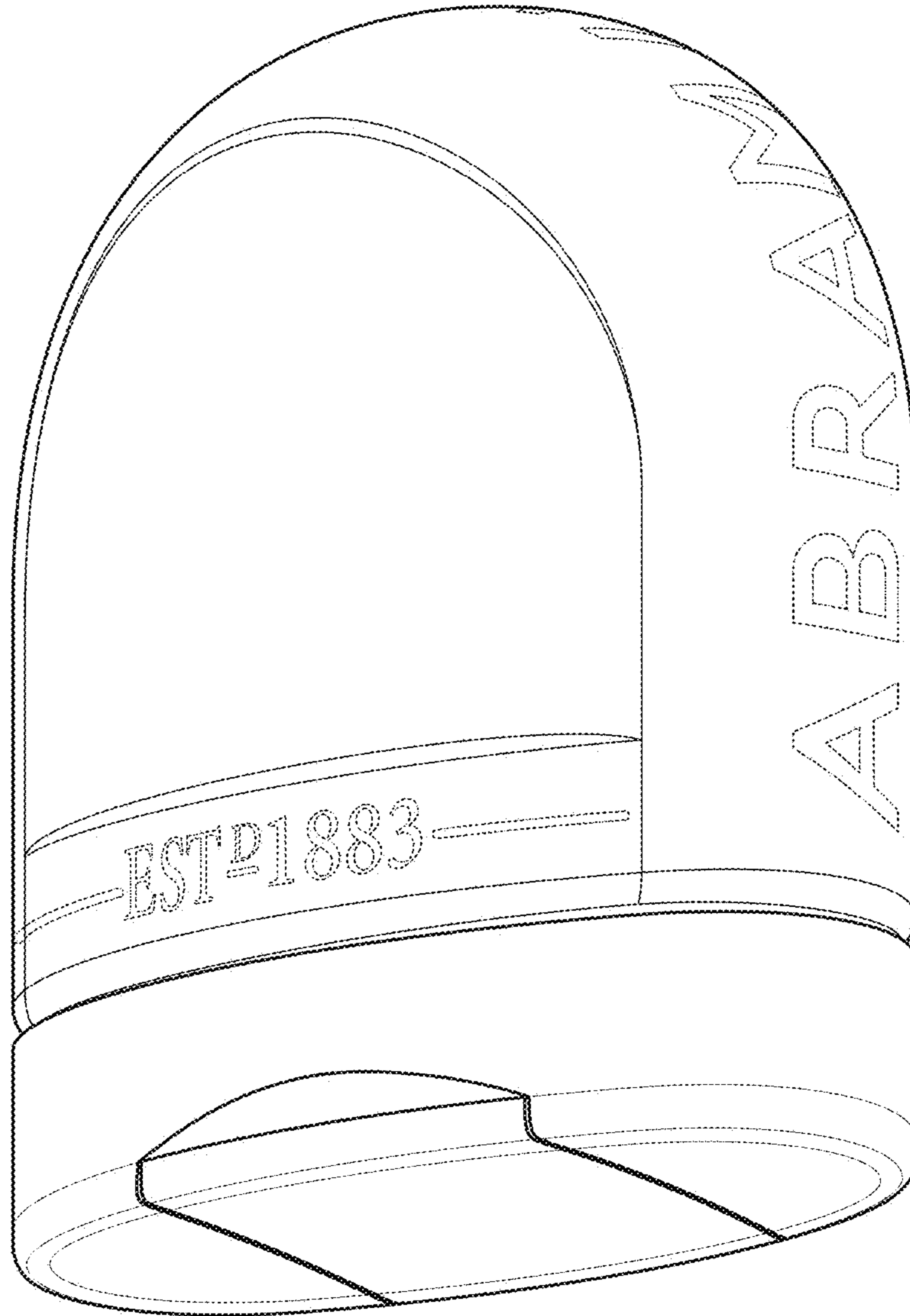


FIG. 1

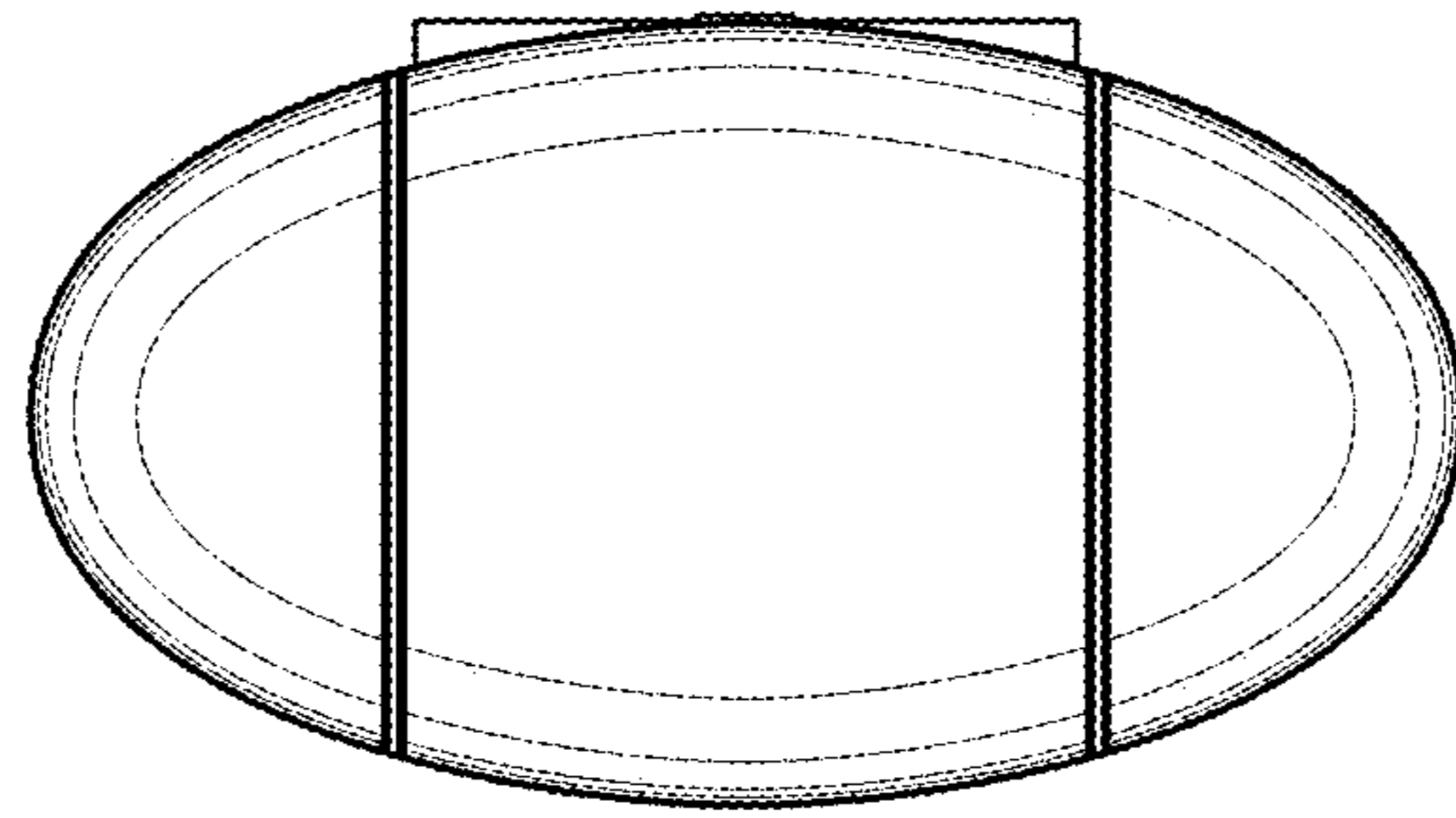


FIG. 2

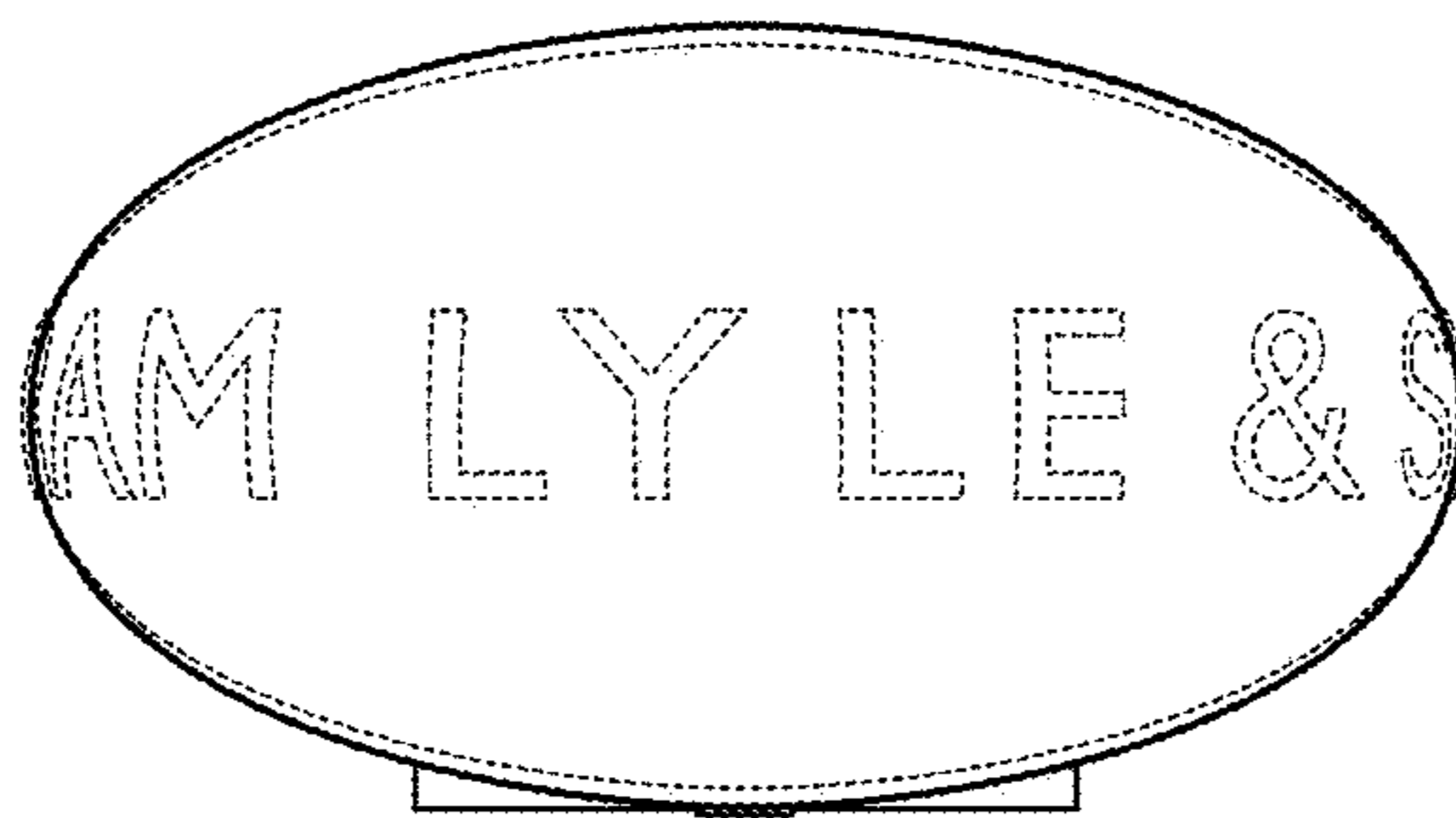


FIG. 3

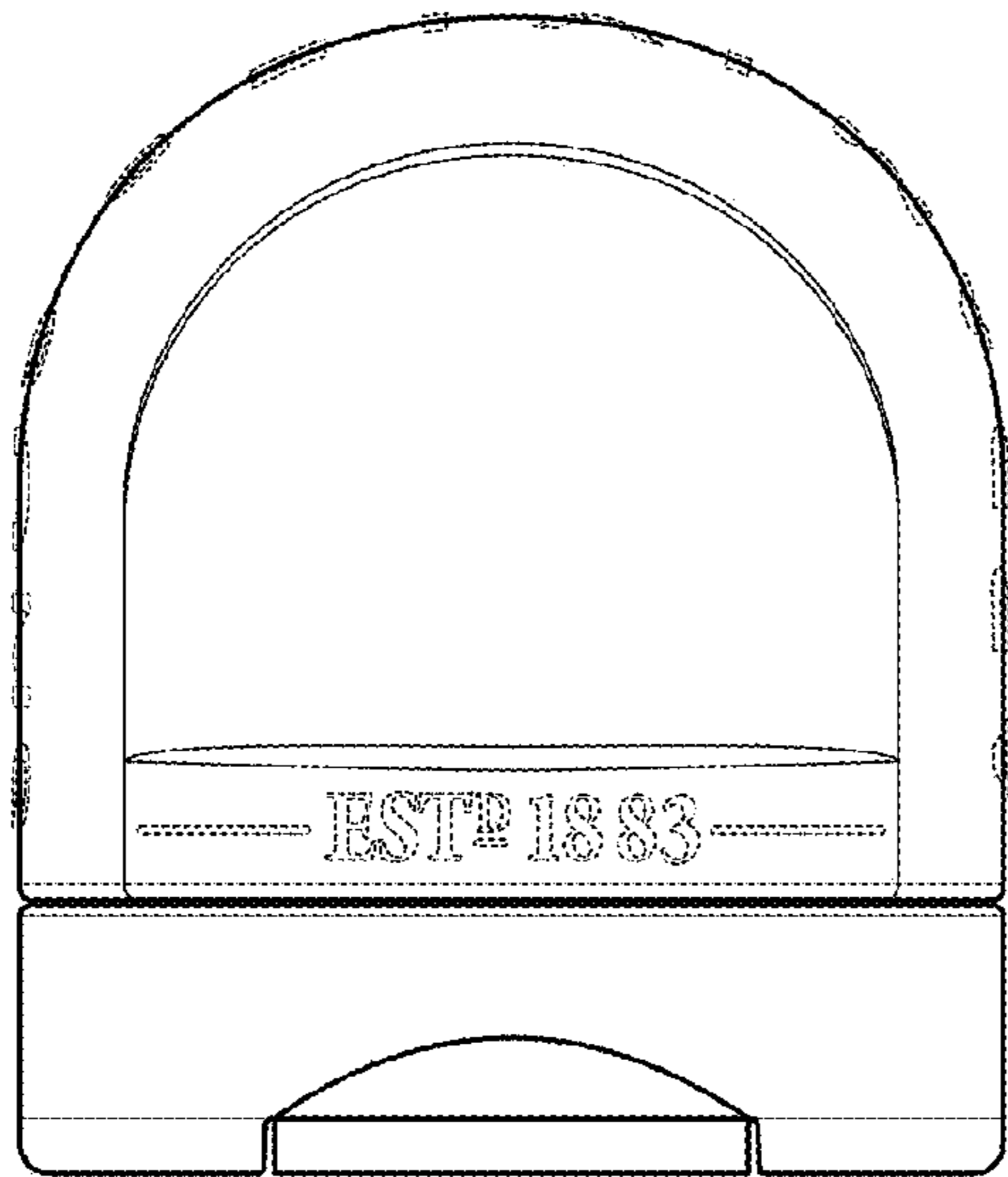


FIG. 4

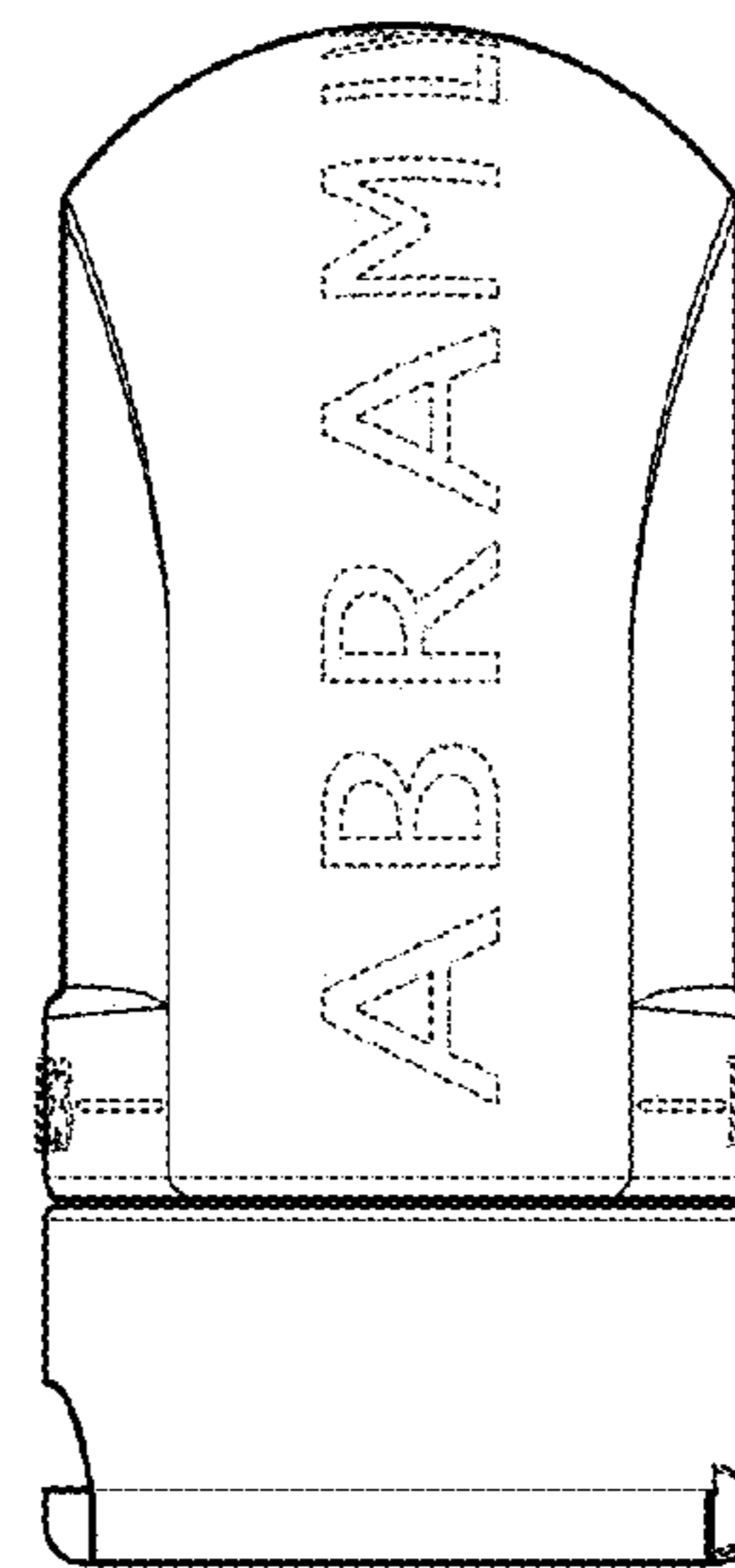


FIG. 6

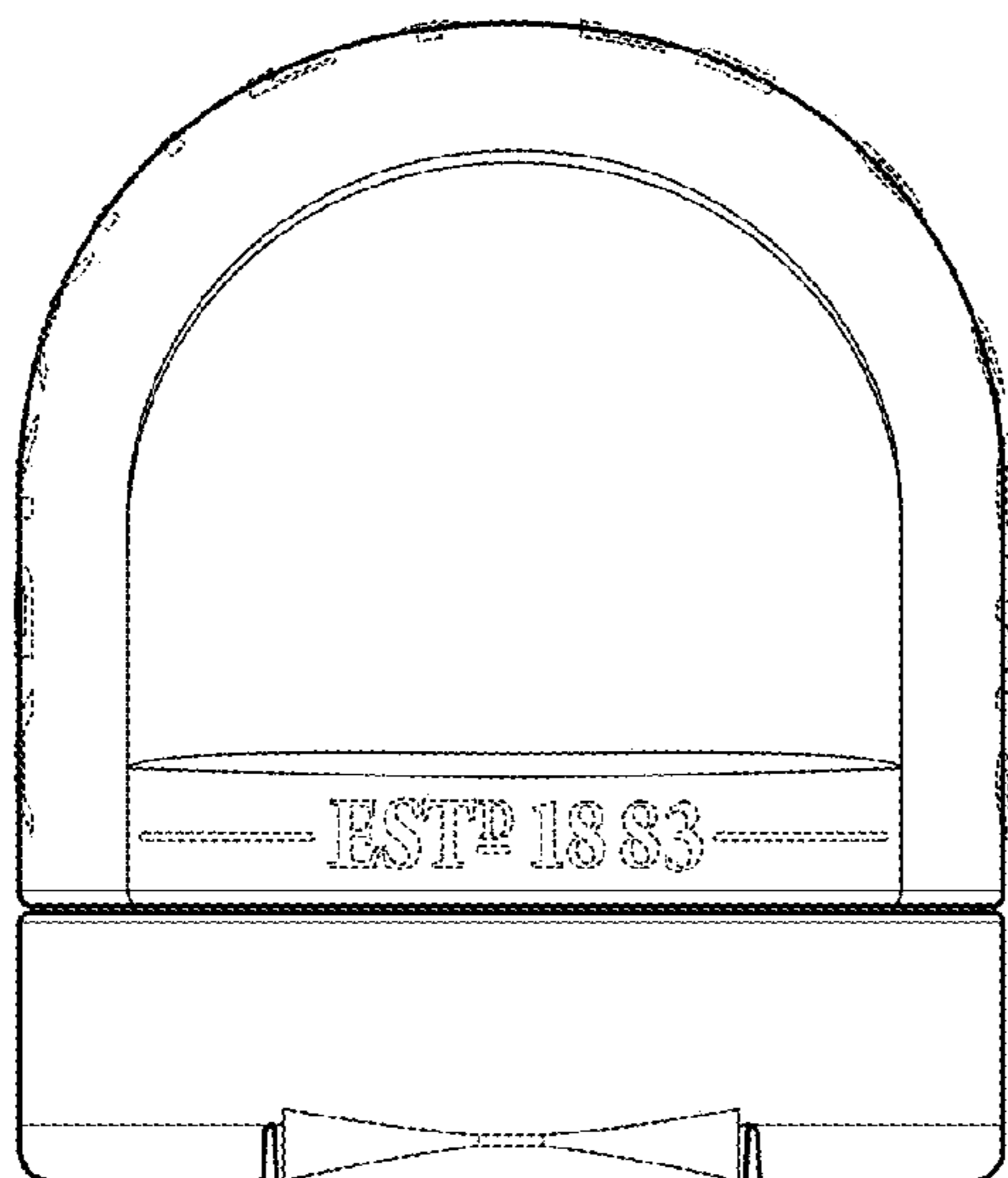


FIG. 5

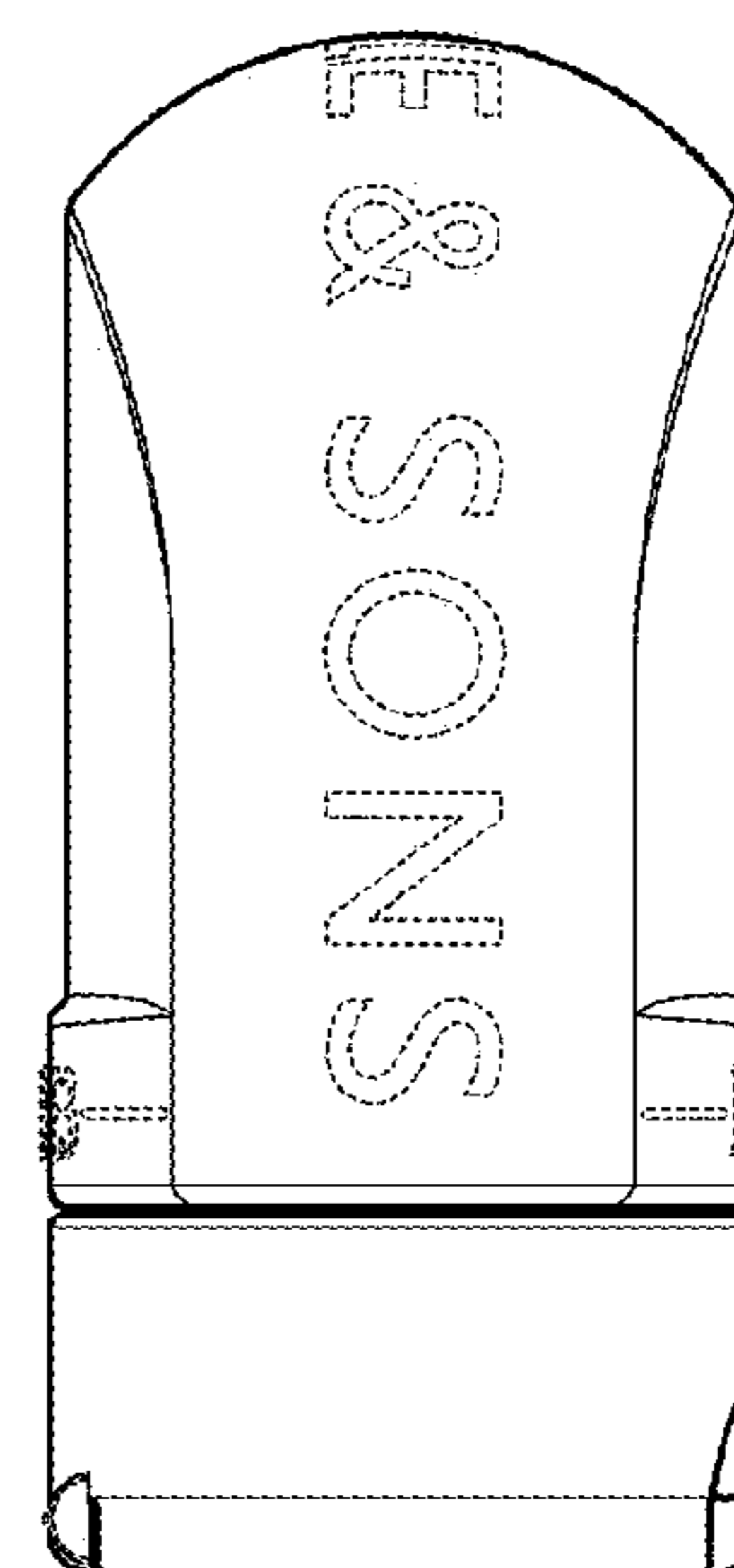


FIG. 7

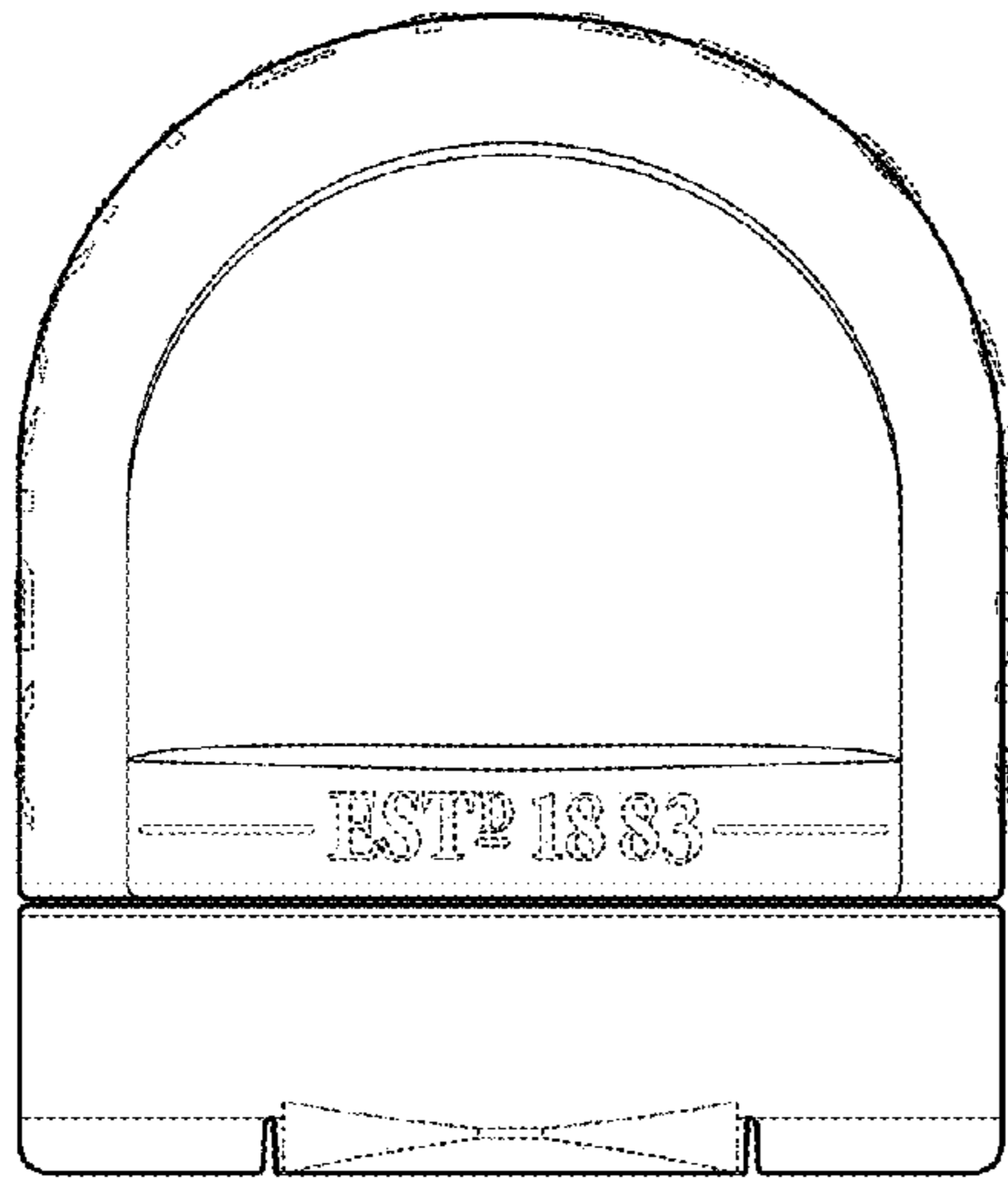


FIG. 8

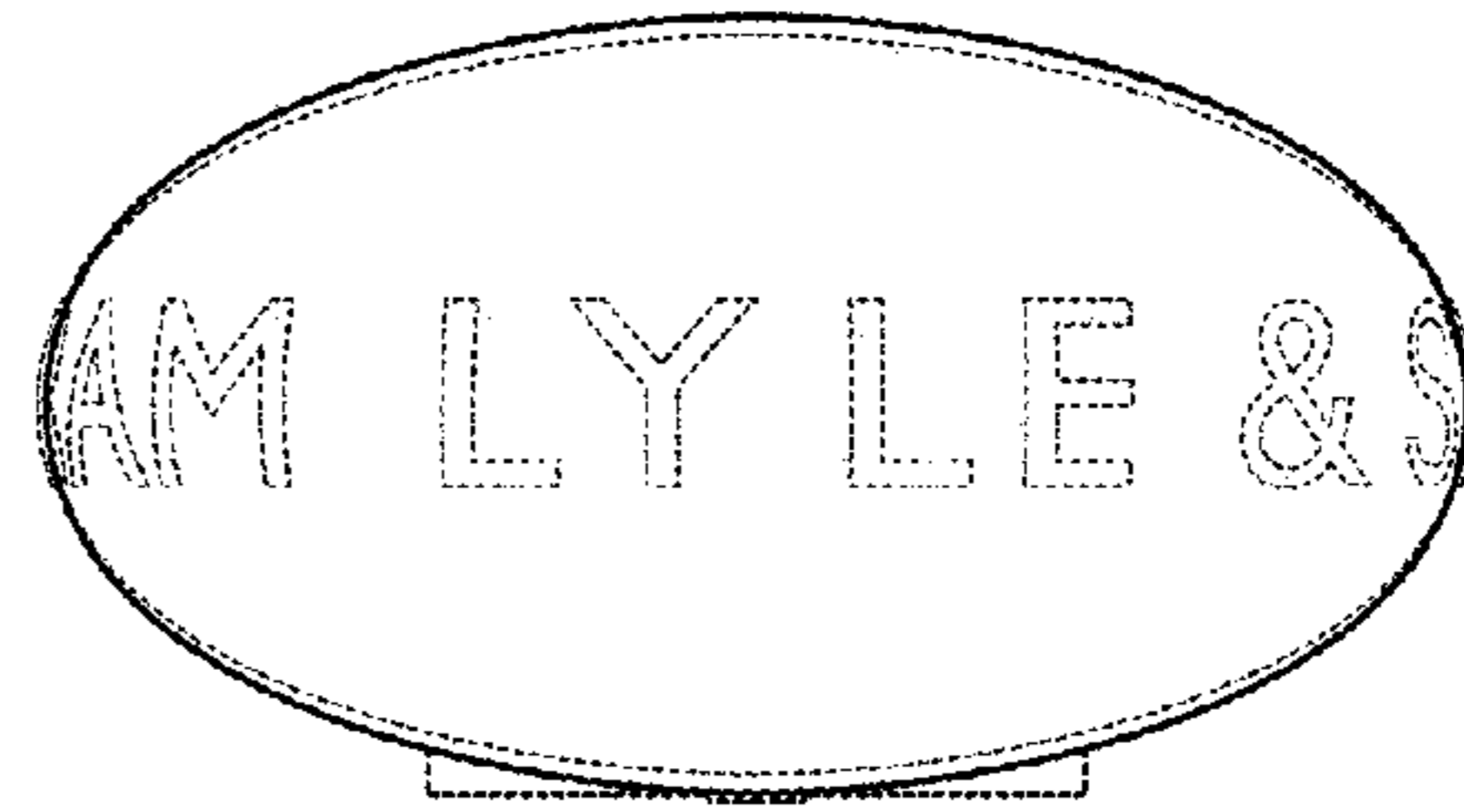


FIG. 9

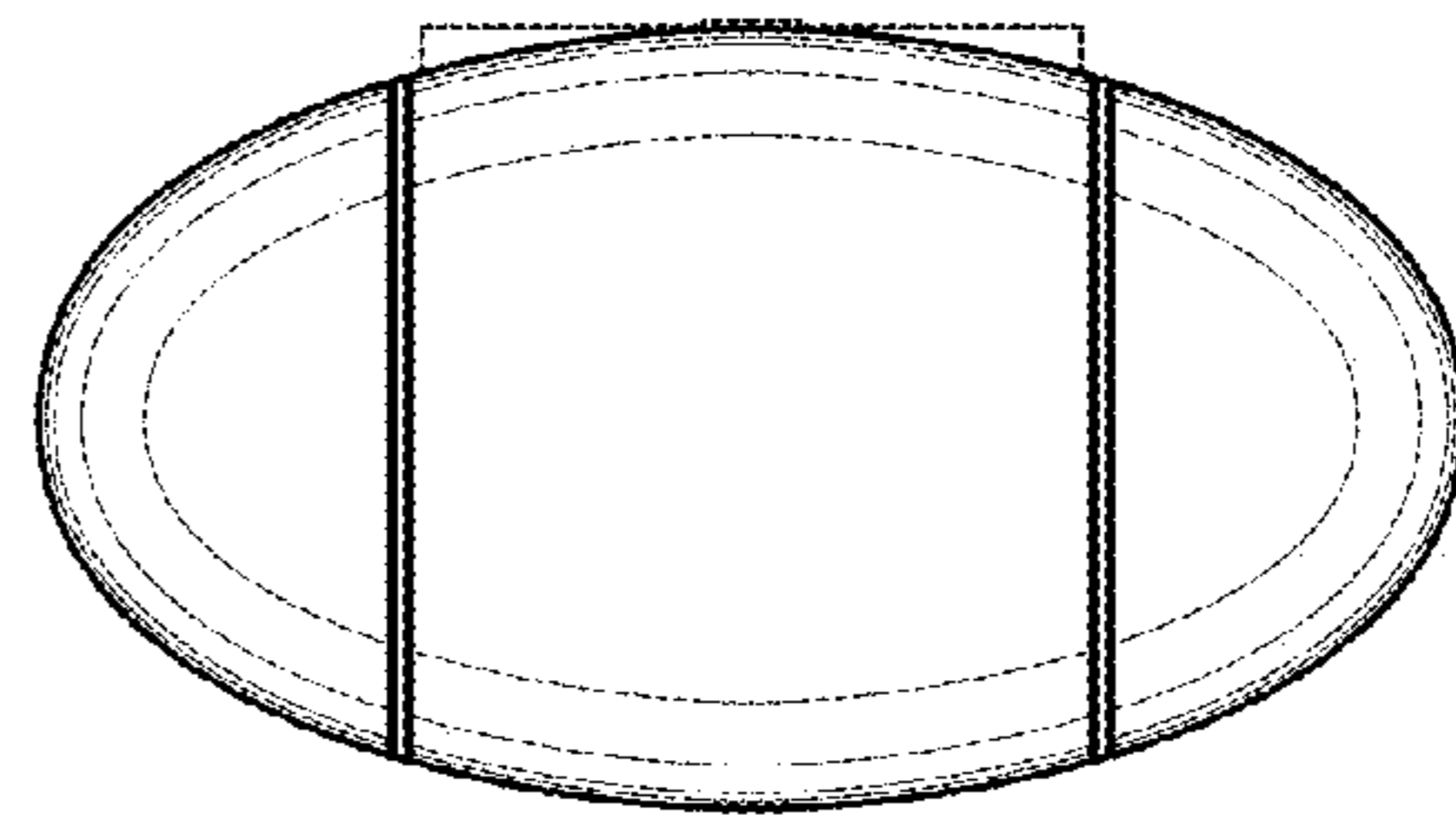


FIG. 10

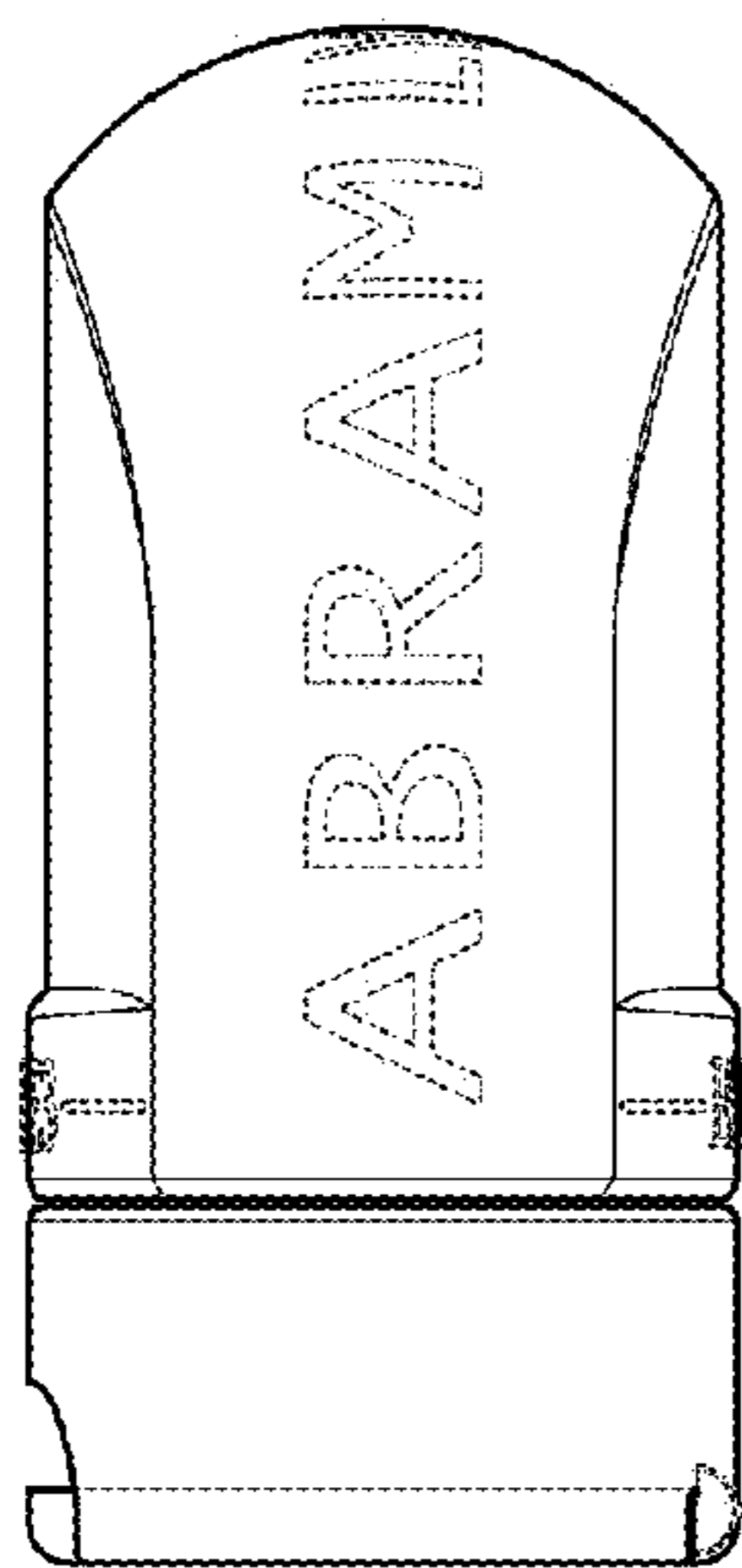


FIG. 11

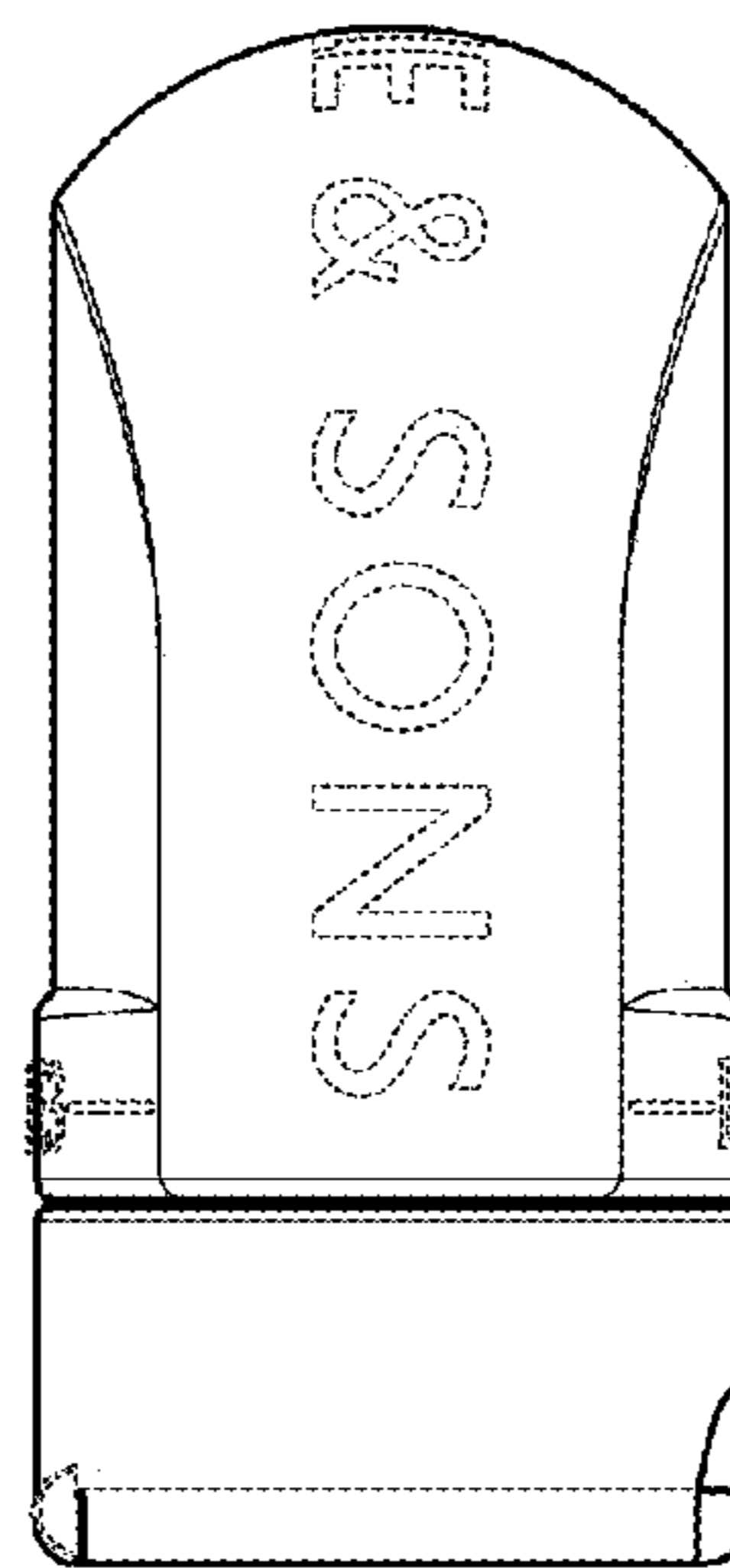


FIG. 12