



US00D752985S

(12) **United States Design Patent**
Komai

(10) **Patent No.:** **US D752,985 S**
(45) **Date of Patent:** **** Apr. 5, 2016**

- (54) **BOTTLE**
- (71) Applicant: **Mao Komai**, Tokyo (JP)
- (72) Inventor: **Mao Komai**, Tokyo (JP)
- (73) Assignee: **SHISEIDO CO., LTD.**, Tokyo (JP)
- (**) Term: **14 Years**
- (21) Appl. No.: **29/495,162**
- (22) Filed: **Jun. 27, 2014**
- (51) **LOC (10) Cl.** **09-01**
- (52) **U.S. Cl.**
USPC **D9/529**
- (58) **Field of Classification Search**
USPC D3/201, 202; D9/414, 435, 499, 516,
D9/529, 530, 542, 543, 549, 574, 571, 575,
D9/688-691, 772, 773, 776; D28/4, 7, 9,
D28/73, 76, 85; 215/379, 381-385;
220/660, 669, 675
CPC B65D 3/00; B65D 3/04; B65D 35/22;
B65D 81/3227; B65D 81/3283
See application file for complete search history.

- D425,258 S * 5/2000 Lang D28/89
- D463,271 S * 9/2002 Miranda D9/549
- D552,476 S * 10/2007 Yelland D9/538
- D662,824 S * 7/2012 Perez D9/516
- D673,057 S * 12/2012 van Haasteren D9/723

* cited by examiner

Primary Examiner — Derrick Holland
Assistant Examiner — Janice Lim
(74) *Attorney, Agent, or Firm* — Manabu Kanesaka

(57) **CLAIM**
The ornamental design for a bottle, as shown and described.

DESCRIPTION

FIG. 1 is a perspective view of a bottle showing my new design;
FIG. 2 is a front view thereof;
FIG. 3 is a rear view thereof;
FIG. 4 is a top plan view thereof;
FIG. 5 is a bottom plan view thereof;
FIG. 6 is a right side view thereof;
FIG. 7 is a left side view thereof; and,
FIG. 8 is a cross-sectional view thereof, taken along the line 8-8 in FIG. 2.
The broken line portions of FIG. 8 are included to show unclaimed subject matter only and form no part of the claimed design.

(56) **References Cited**
U.S. PATENT DOCUMENTS

- D224,643 S * 8/1972 Mascia D9/551
- D349,176 S * 7/1994 Litton D28/76

1 Claim, 5 Drawing Sheets

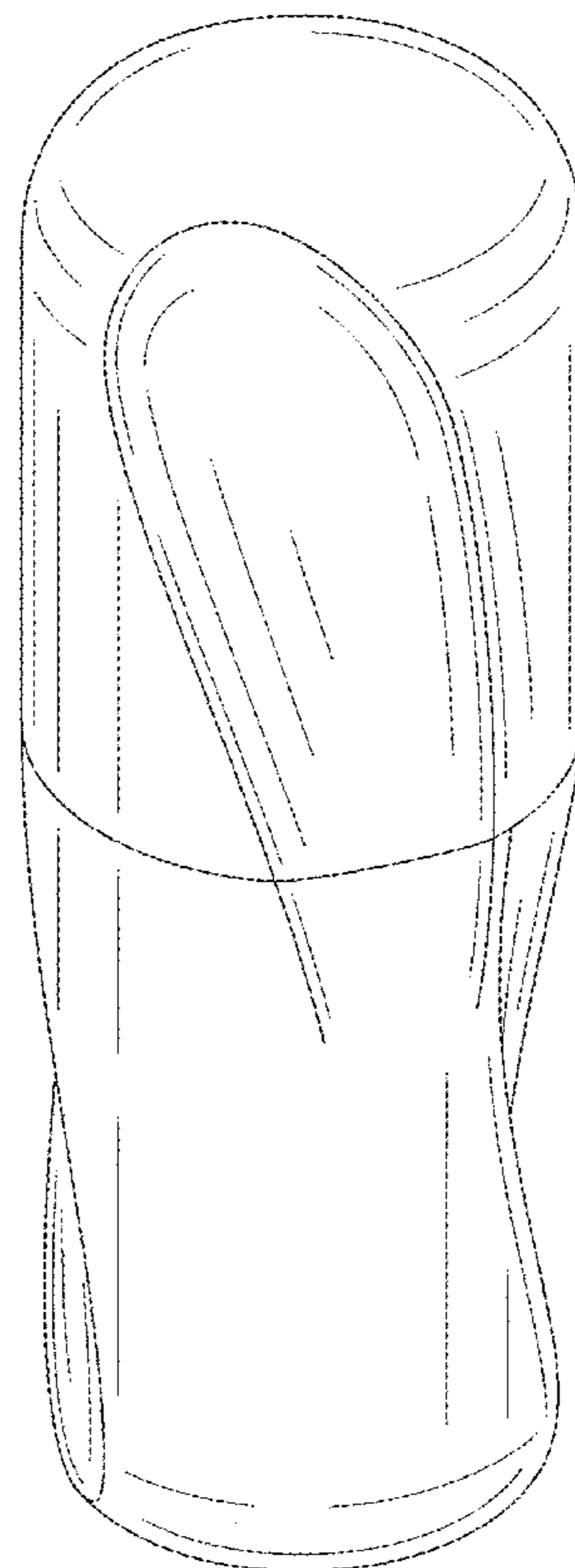


Fig. 1

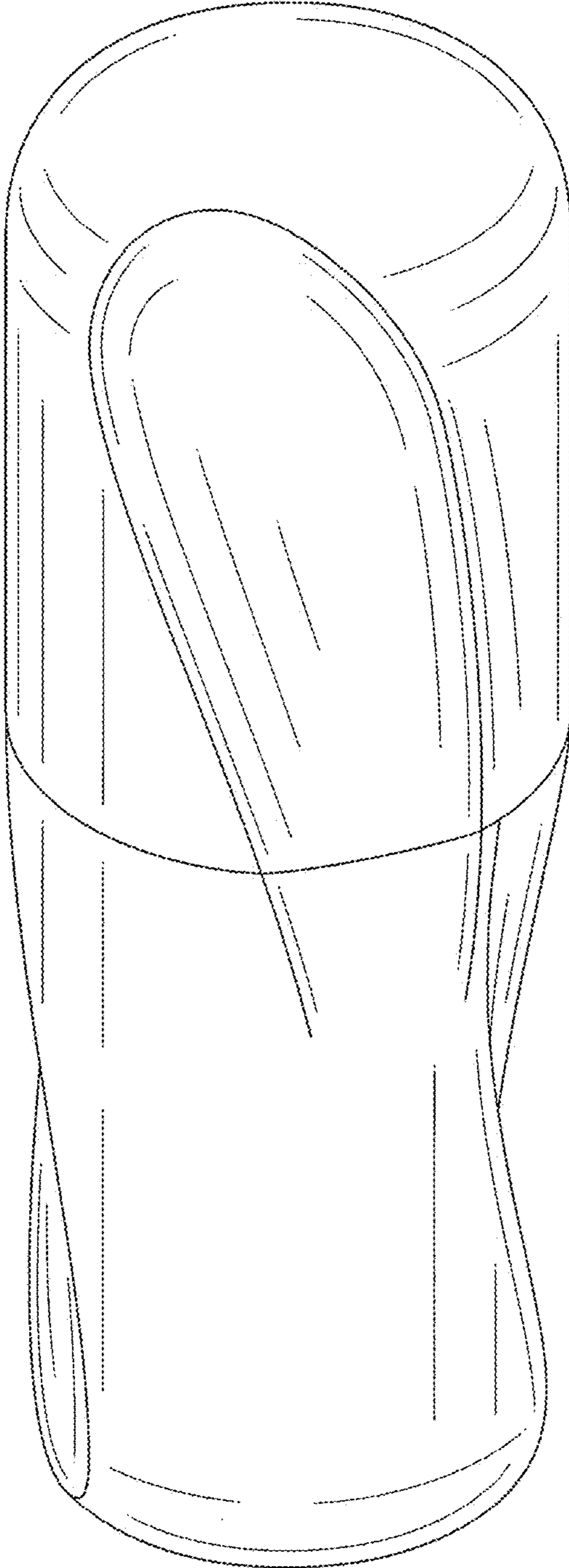


Fig. 2

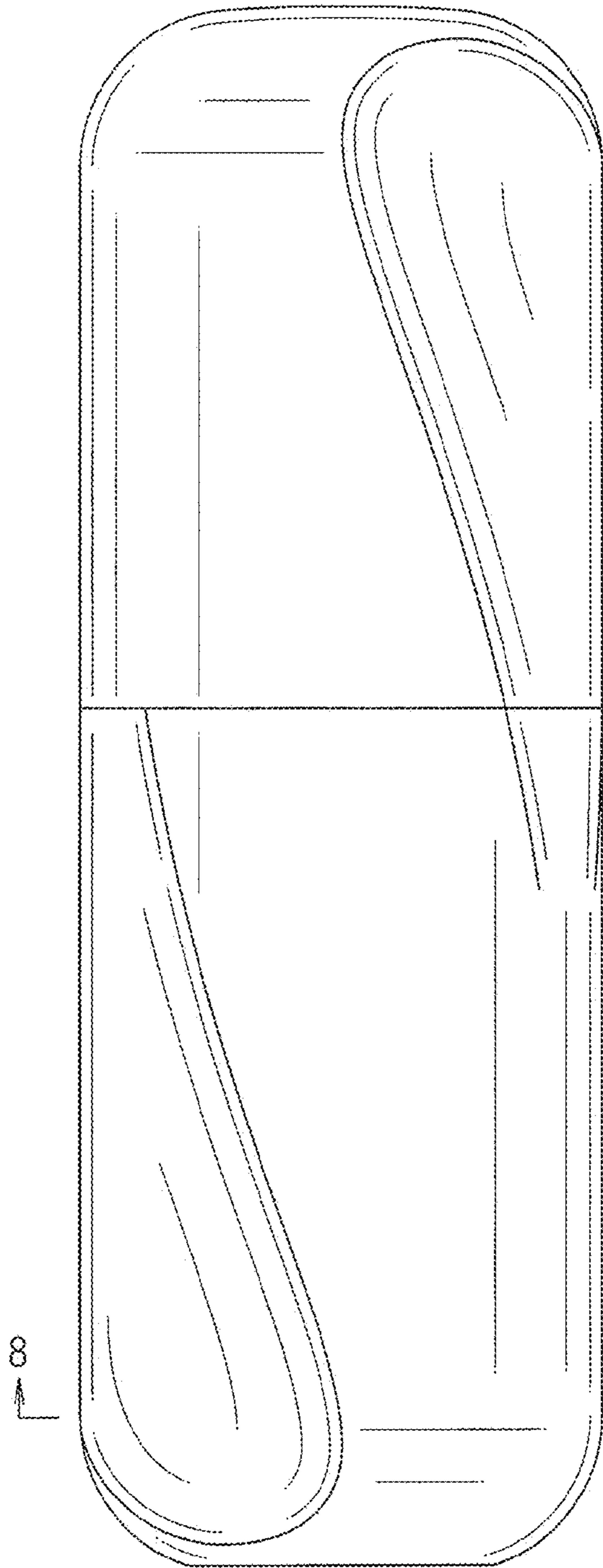


Fig. 3

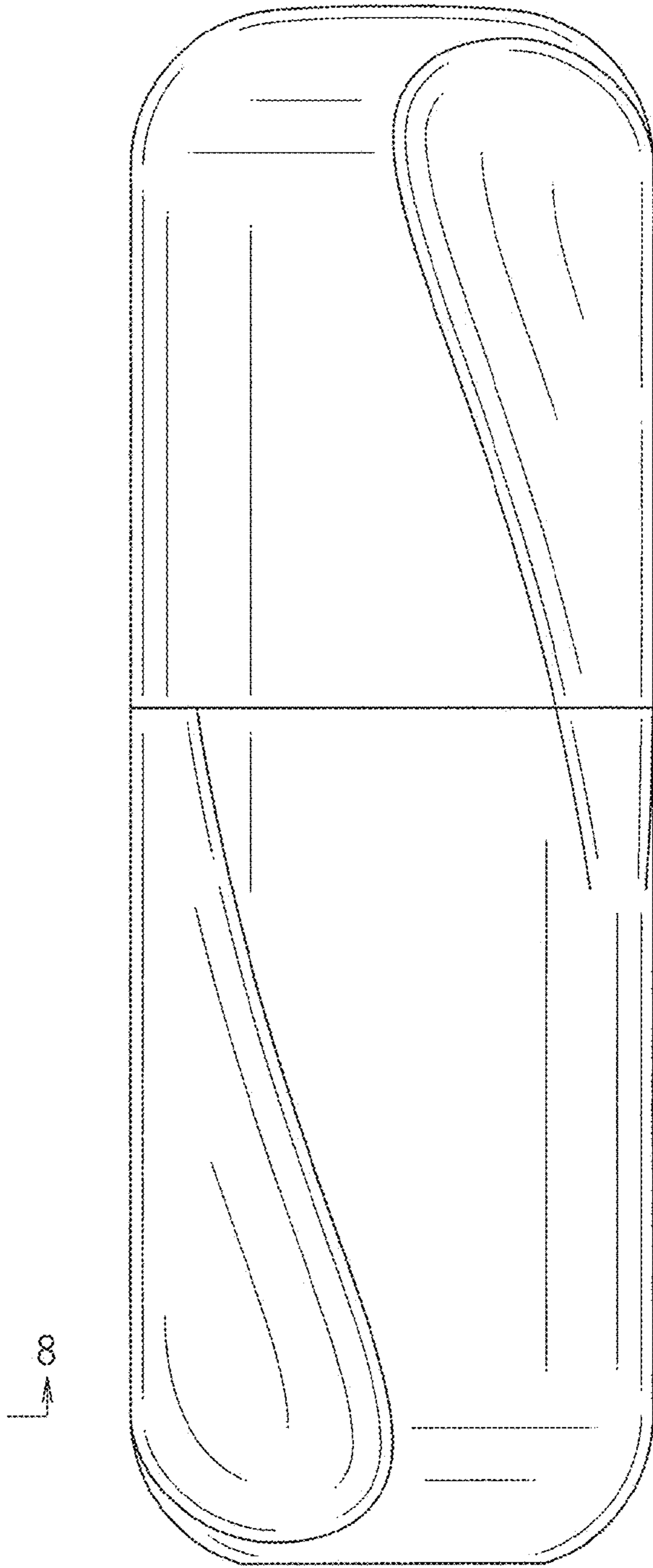


Fig. 4

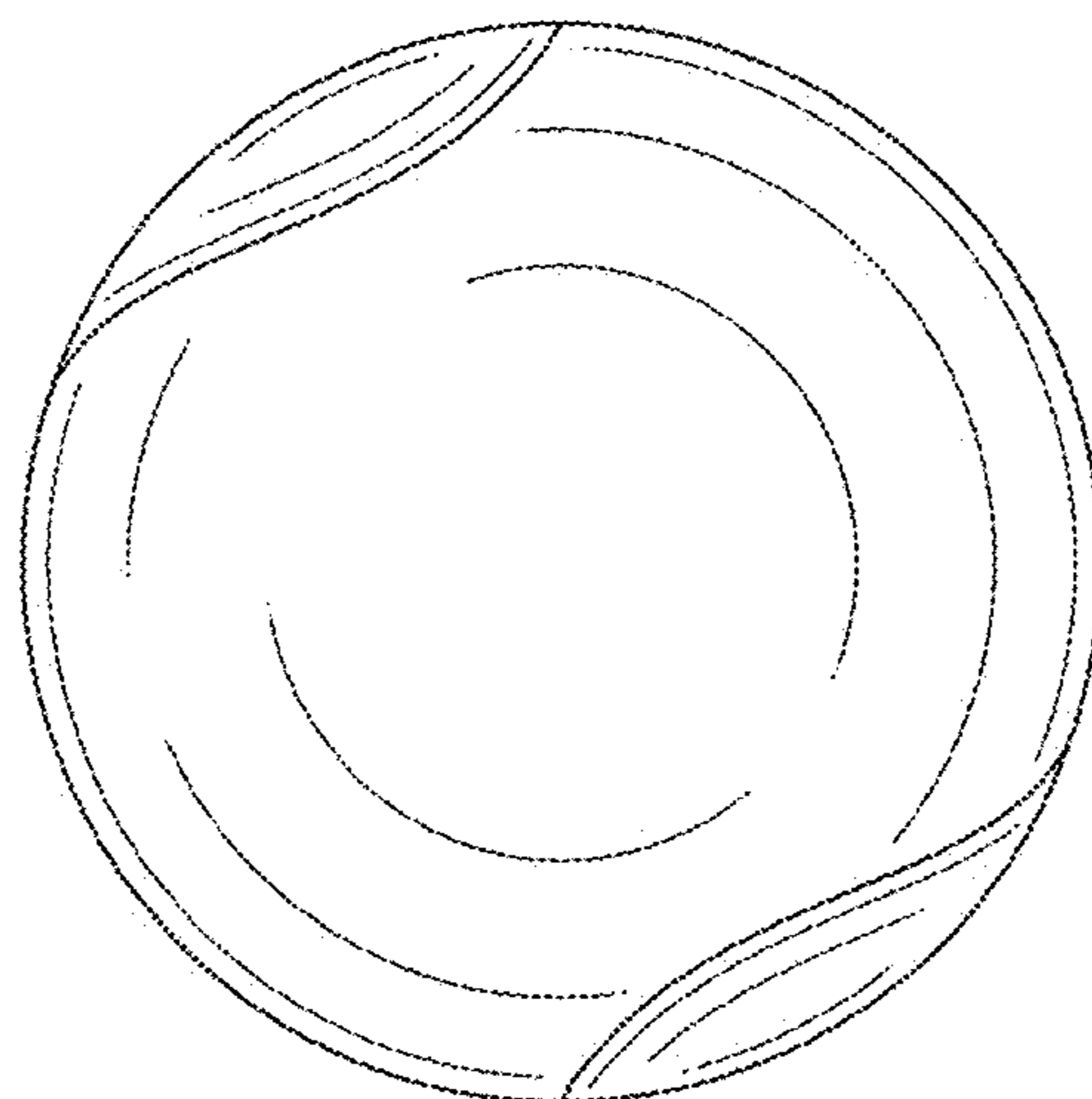


Fig. 5

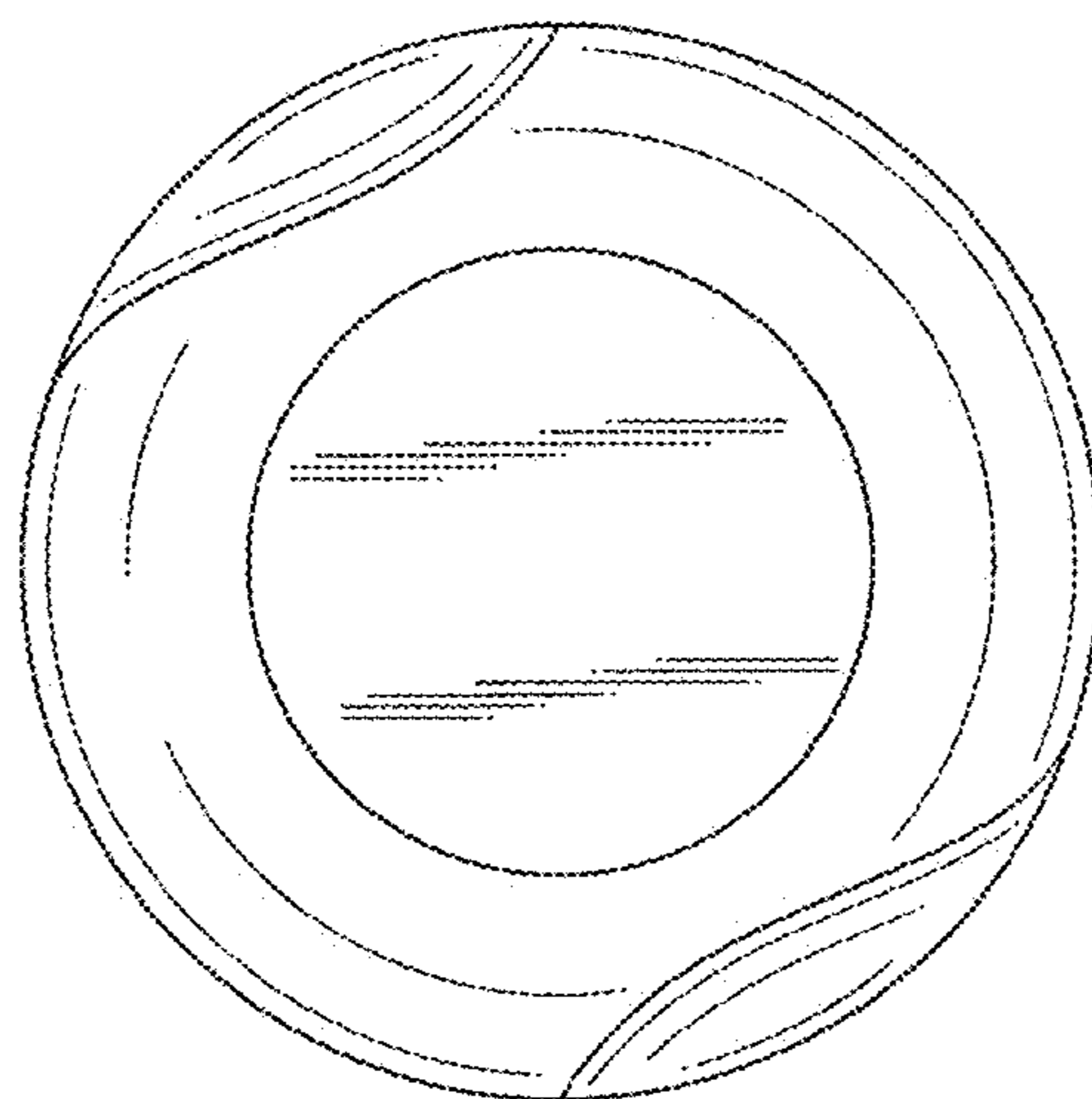


Fig. 6

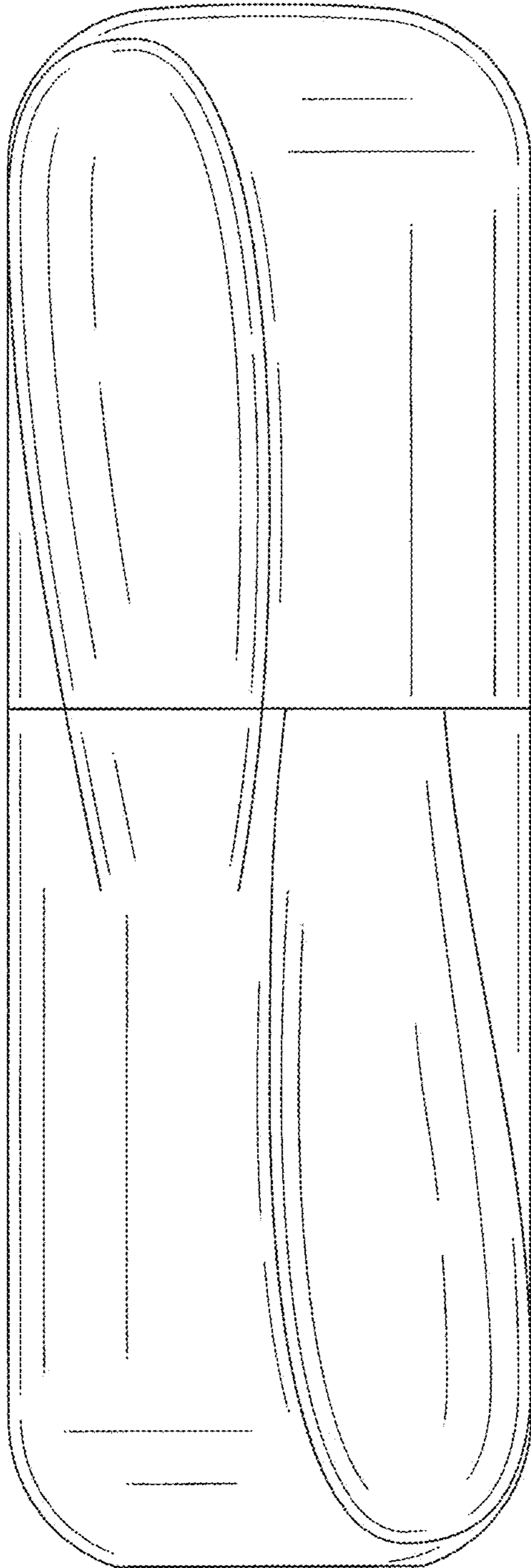


Fig. 7

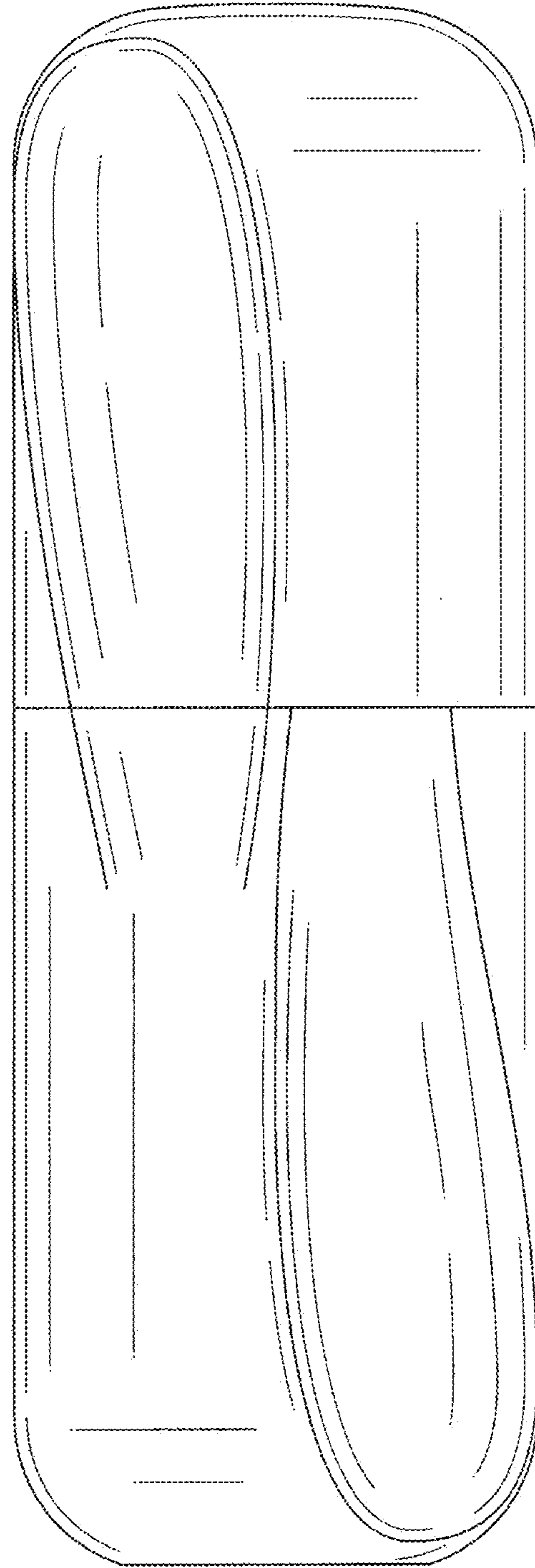


Fig. 8

