



US00D752982S

(12) **United States Design Patent**  
**Sawicki**

(10) **Patent No.:** **US D752,982 S**  
(45) **Date of Patent:** **\*\* Apr. 5, 2016**

(54) **APPLICATOR**

(71) Applicant: **TricorBraun Inc.**, St. Louis, MO (US)

(72) Inventor: **Craig R. Sawicki**, Roselle, IL (US)

(73) Assignee: **TricorBraun Inc.**, St. Louis, MO (US)

(\*\*) Term: **14 Years**

(21) Appl. No.: **29/482,638**

(22) Filed: **Feb. 20, 2014**

(51) **LOC (10) Cl.** ..... **09-01**

(52) **U.S. Cl.**  
USPC ..... **D9/516**; D9/434; D9/425; D9/447;  
D24/119

(58) **Field of Classification Search**

USPC ..... D9/434–436, 447, 454, 503–505, 516,  
D9/530, 537, 539, 542, 549, 558, 715, 719,  
D9/723, 725, 728; D7/669–670; D19/66,  
D19/71, 162; D24/107, 119–120; D28/7  
CPC ..... B65D 23/00; B65D 81/00; B65D 83/00;  
B65D 83/06; B65D 2501/00; B65D 2547/04;  
A61M 35/00; A61M 35/003; A45D 33/00;  
A45D 33/02; A45D 34/00; A45D 34/04;  
A45D 34/041; A45D 34/042

See application file for complete search history.

(56) **References Cited**

U.S. PATENT DOCUMENTS

2,585,264 A \* 2/1952 Mock ..... 604/301  
3,192,923 A \* 7/1965 Ackerman ..... 601/154  
3,565,294 A \* 2/1971 Schwartzman ..... 222/107  
D271,215 S \* 11/1983 Hinkle ..... D19/66  
D306,563 S \* 3/1990 Johnson ..... D9/434  
D309,108 S \* 7/1990 Tomasello ..... D9/434  
D404,300 S \* 1/1999 Skobla ..... D9/614  
D481,164 S \* 10/2003 Angeletta ..... D28/7

D481,165 S \* 10/2003 Angeletta ..... D28/7  
D513,384 S \* 1/2006 Perry ..... D9/447  
D523,335 S \* 6/2006 Nelson et al. .... D9/447  
D531,052 S \* 10/2006 Lee ..... D9/723  
D536,481 S \* 2/2007 Angeletta ..... D28/7  
D537,722 S \* 3/2007 Jaichandra et al. .... D9/517  
D543,658 S \* 5/2007 Angeletta ..... D28/7  
D550,842 S \* 9/2007 Koch et al. .... D24/146  
D566,330 S \* 4/2008 Angeletta ..... D28/7  
D571,166 S \* 6/2008 Ben Shlomo et al. .... D7/670  
D587,584 S \* 3/2009 Jaichandra et al. .... D9/517  
D588,691 S \* 3/2009 Perrin et al. .... D24/120  
D595,410 S \* 6/2009 Luzon ..... D24/146  
D671,412 S \* 11/2012 Thurin et al. .... D9/526  
D693,919 S \* 11/2013 Miu ..... D24/107  
D698,078 S \* 1/2014 Purizhansky et al. .... D28/7  
D717,664 S \* 11/2014 Van Handel et al. .... D9/682  
2008/0170904 A1 \* 7/2008 Bayly et al. .... 401/265

\* cited by examiner

*Primary Examiner* — Dana L Meyrow

(74) *Attorney, Agent, or Firm* — Husch Blackwell LLP

(57) **CLAIM**

I claim the ornamental design for an applicator, as shown and described.

**DESCRIPTION**

FIG. 1 is a top perspective view of an applicator according to my new design;

FIG. 2 is a front elevation view thereof, the rear elevation view being identical;

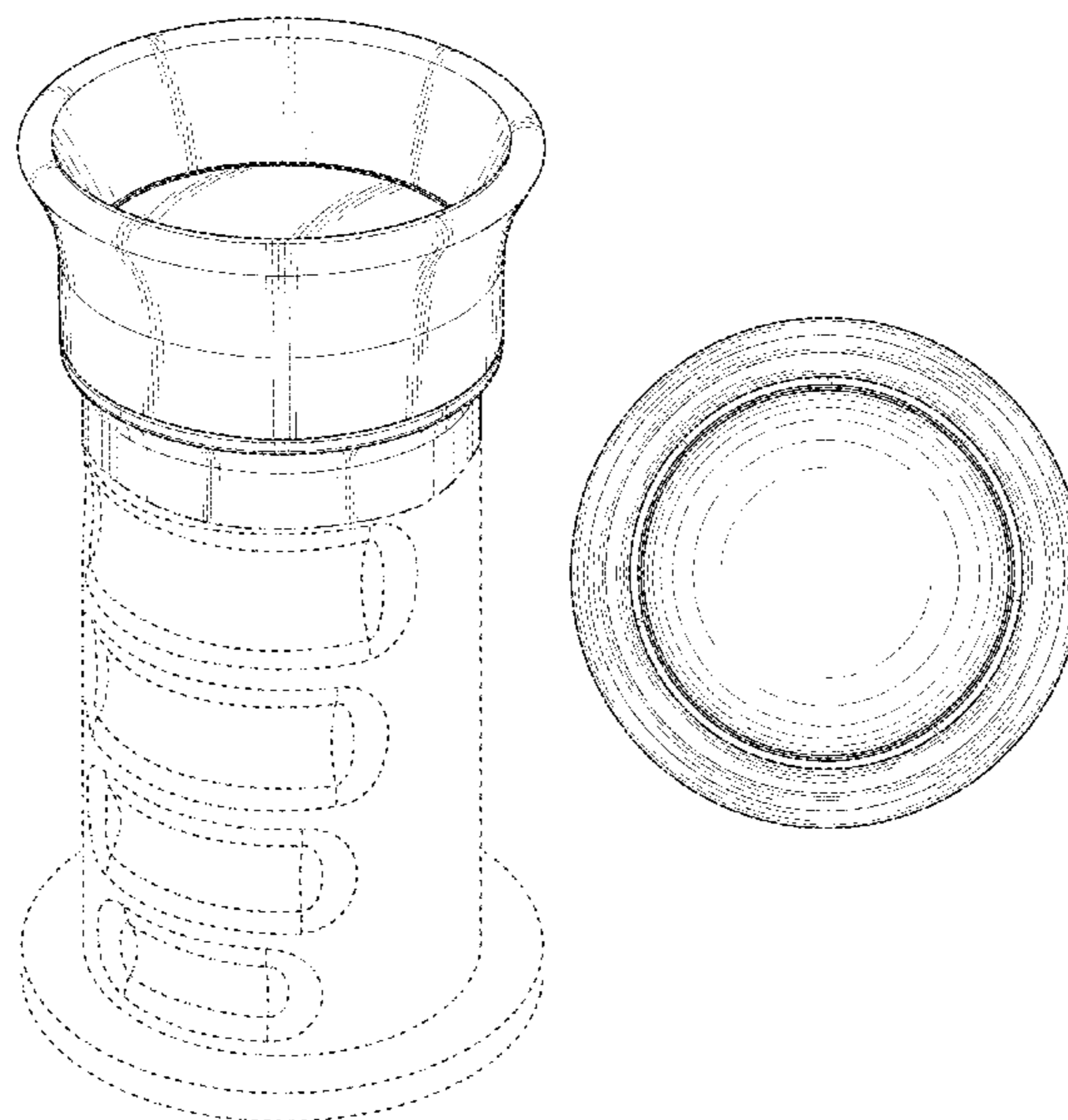
FIG. 3 is a left side elevation view thereof, the right side elevation view being identical; and,

FIG. 4 is a top plan view thereof.

The evenly-dashed broken lines shown in the drawings illustrate the portions of the design that form no part of the claim.

The dot-dash broken lines in the drawings define the bounds of the claim and form no part thereof.

**1 Claim, 4 Drawing Sheets**



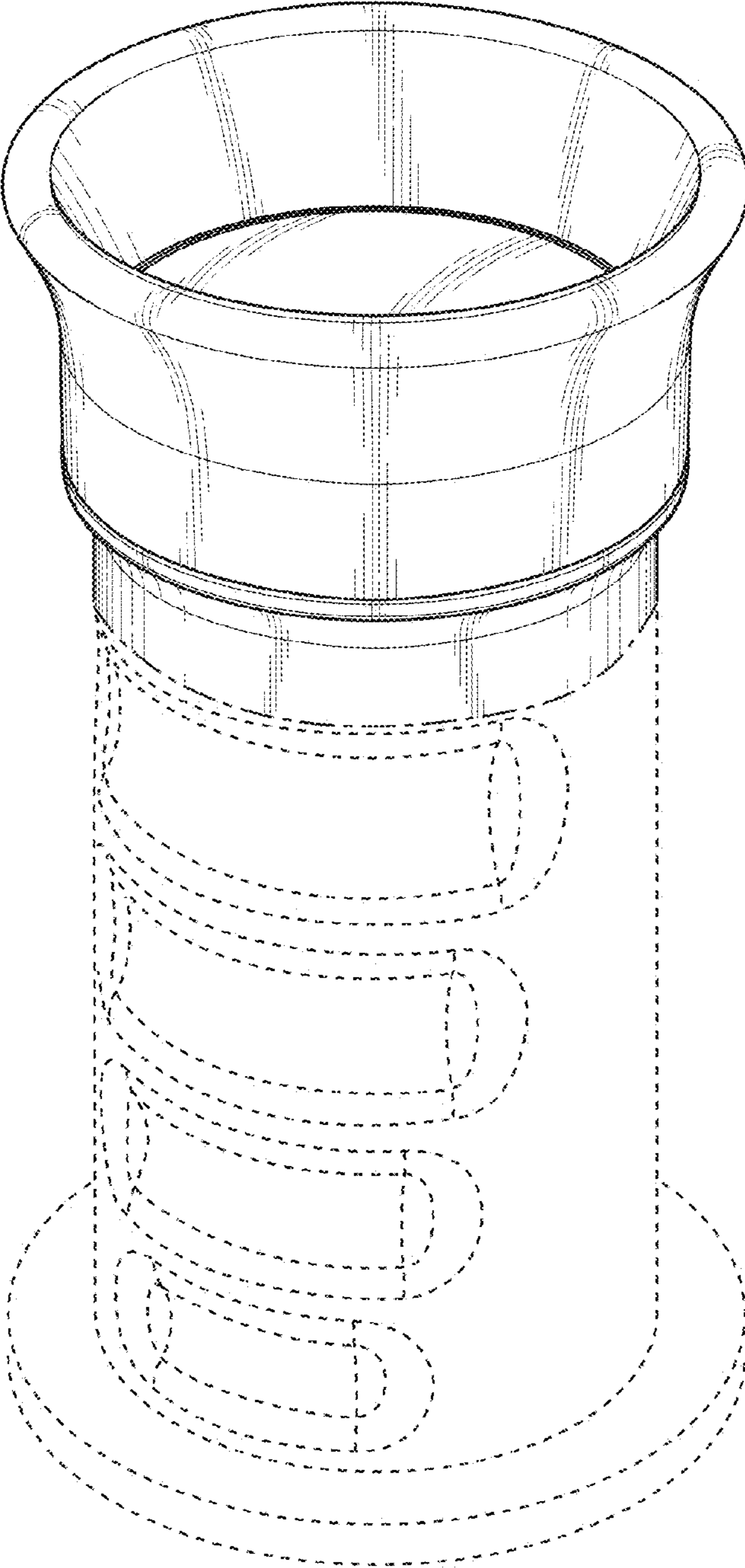


FIG. 1

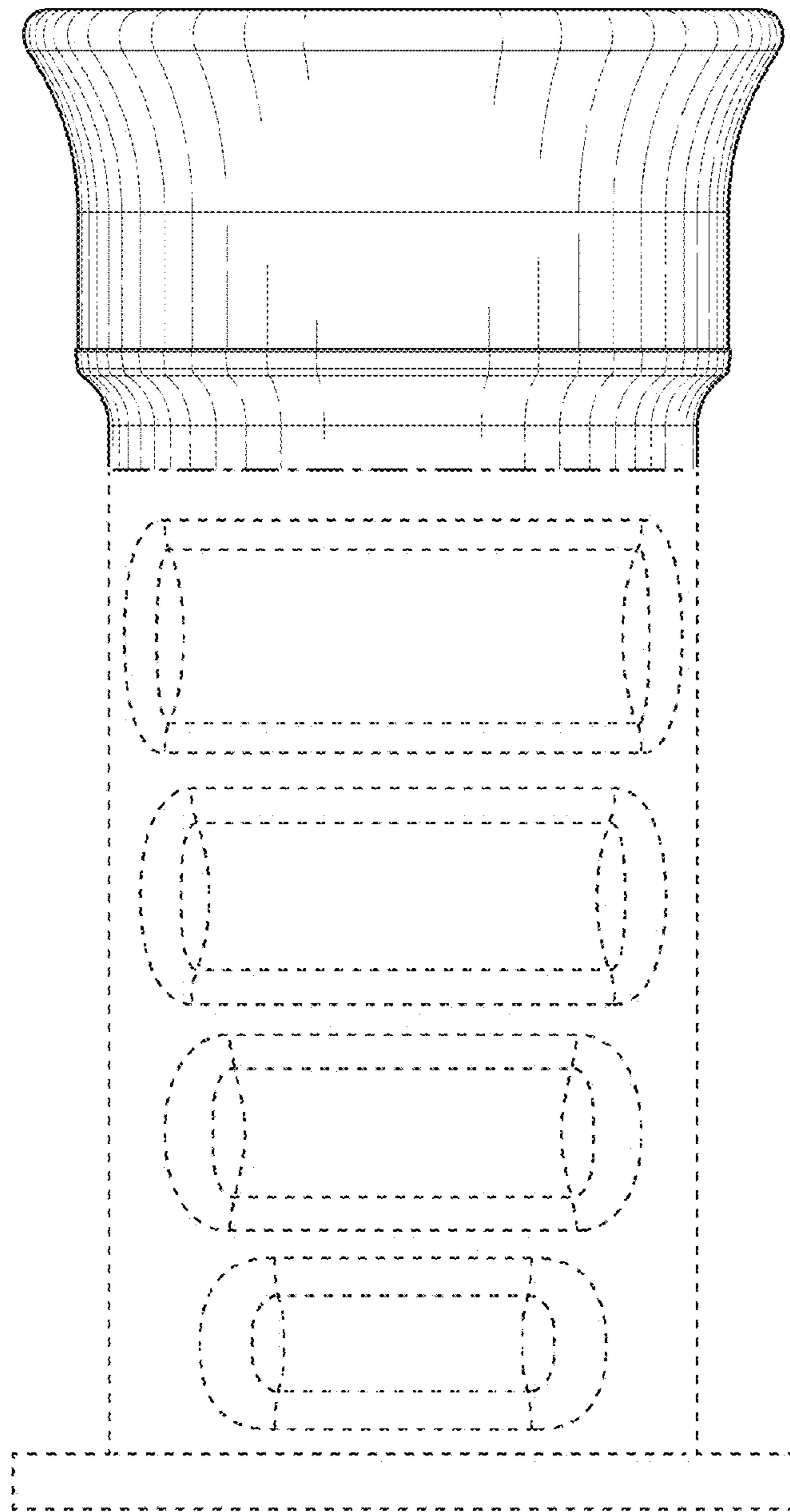


FIG. 2

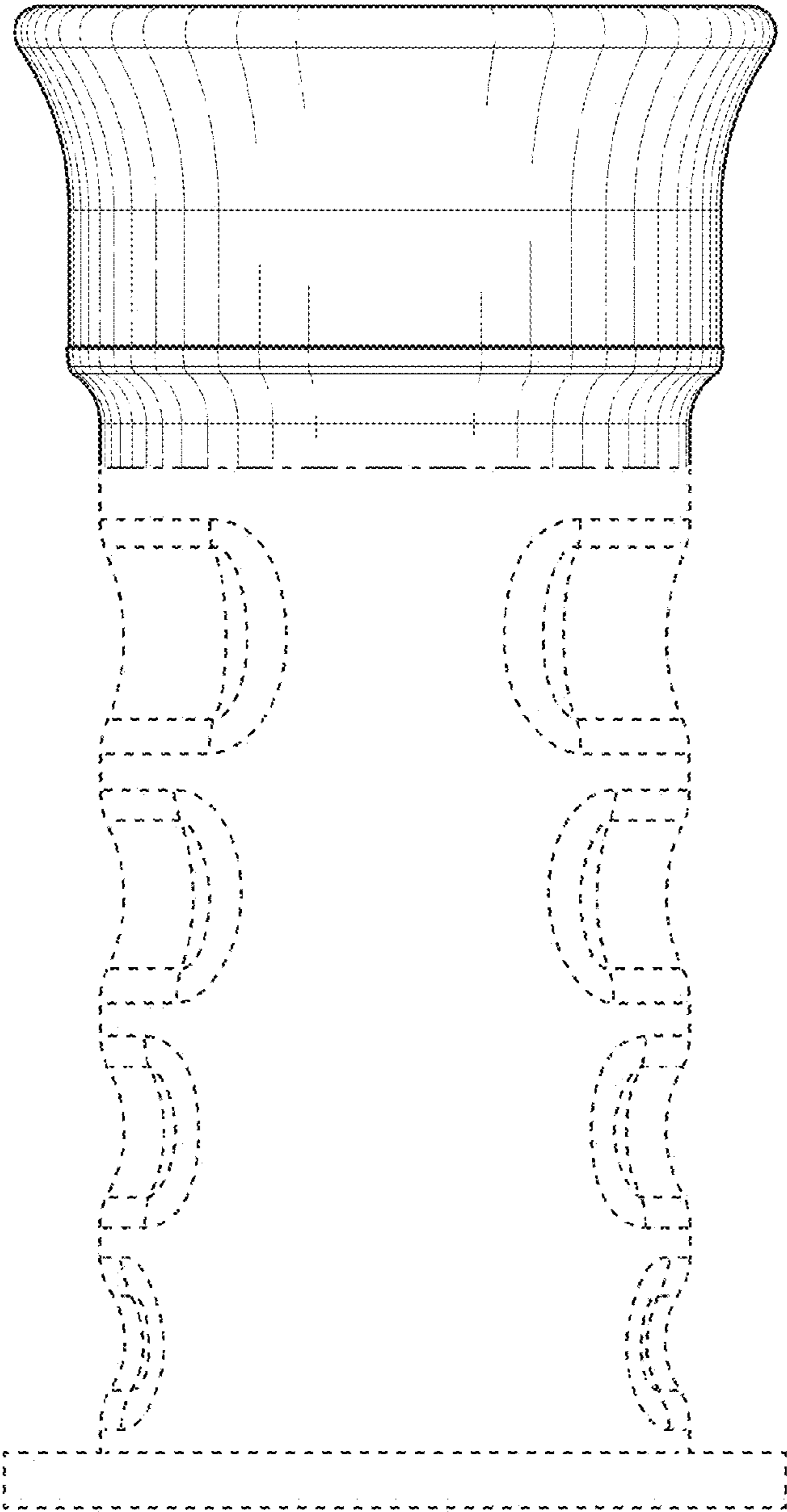


FIG. 3

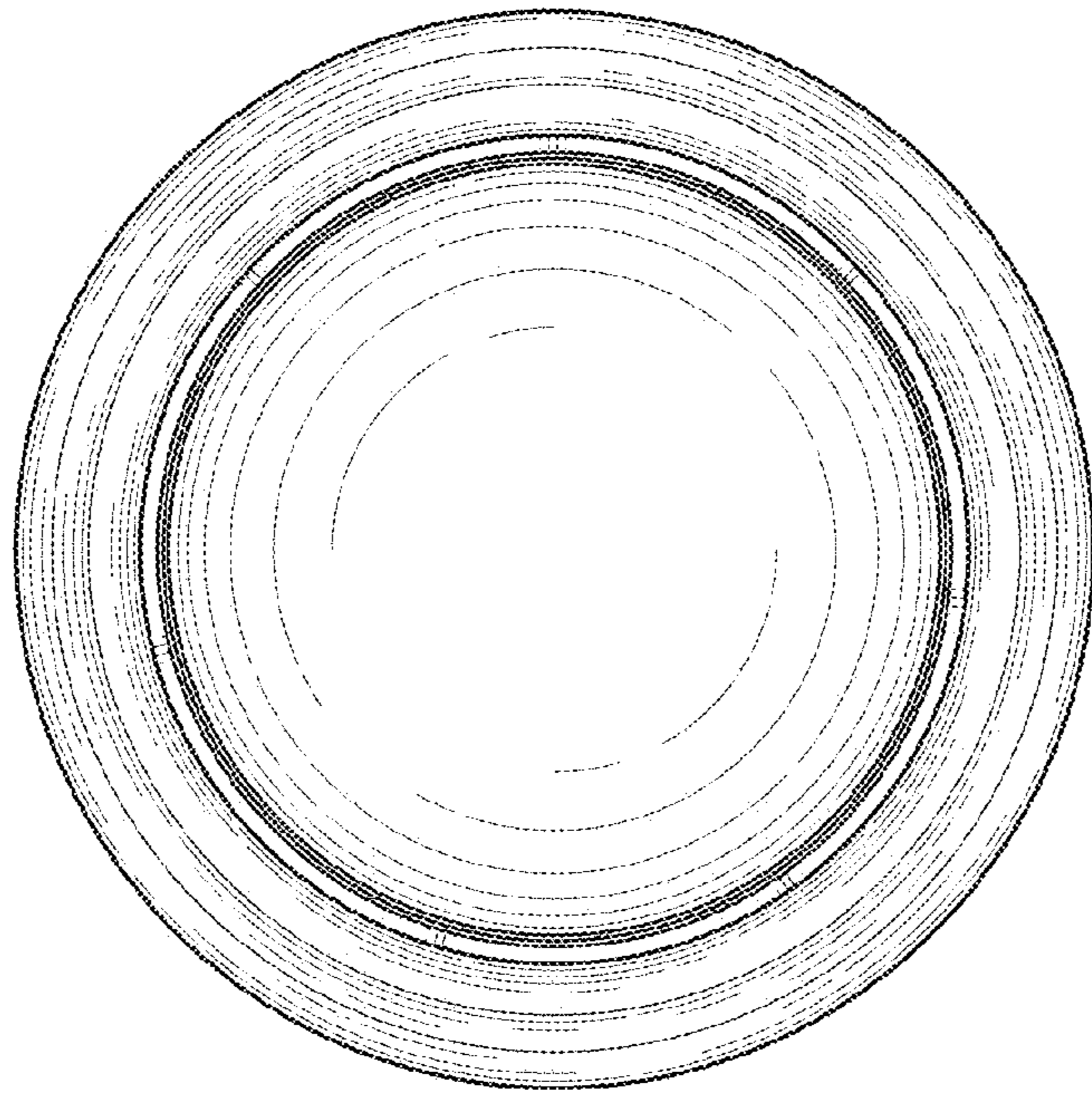


FIG. 4