



US00D752979S

(12) **United States Design Patent**  
**Schulz et al.**

(10) **Patent No.:** **US D752,979 S**  
(45) **Date of Patent:** **\*\* Apr. 5, 2016**

- (54) **END CAP FOR A CONTAINER**
- (71) Applicant: **3M INNOVATIVE PROPERTIES COMPANY**, St. Paul, MN (US)
- (72) Inventors: **Mark F. Schulz**, Lake Elmo, MN (US);  
**Scott D. Gullicks**, Woodbury, MN (US)
- (73) Assignee: **3m Innovative Properties Company**,  
St. Paul, MN (US)

6,375,022	B1	4/2002	Zurcher	
6,394,643	B1	5/2002	Bublewitz	
D480,639	S	10/2003	Ciavarella	
D507,742	S *	7/2005	Haggard	D9/434
D526,900	S	8/2006	Shieh	
D701,763	S *	4/2014	Chur	D9/435
D716,143	S *	10/2014	Schulz et al.	D9/454
2003/0085228	A1	5/2003	Oakes	
2004/0035817	A1	2/2004	Lagler	
2008/0144426	A1	6/2008	Janssen	
2010/0133273	A1	6/2010	Thurman	
2013/0256180	A1*	10/2013	Smith et al.	206/509

(\*\*) Term: **14 Years**

**FOREIGN PATENT DOCUMENTS**

(21) Appl. No.: **29/502,676**

CA	1075647	4/1980
WO	WO 2009/117771	10/2009

(22) Filed: **Sep. 18, 2014**

\* cited by examiner

**Related U.S. Application Data**

(62) Division of application No. 29/407,016, filed on Nov. 22, 2011, now Pat. No. Des. 716,143.

*Primary Examiner* — Robert M Spear

(74) *Attorney, Agent, or Firm* — Philip P. Soo

(51) **LOC (10) Cl.** ..... **09-07**

(57) **CLAIM**

(52) **U.S. Cl.**  
USPC ..... **D9/454**

The ornamental design for an end cap for a container, as shown and described.

(58) **Field of Classification Search**  
USPC ..... D9/452, 435, 434; D13/122  
CPC ..... B65D 59/06  
See application file for complete search history.

**DESCRIPTION**

(56) **References Cited**

**U.S. PATENT DOCUMENTS**

732,655	A	6/1903	Saunders
2,826,339	A	3/1958	Maillard
D204,822	S	5/1966	Barker
4,691,834	A	9/1987	Bullock, III
4,801,046	A	1/1989	Miczka
5,027,981	A	7/1991	Magister
5,501,368	A	3/1996	Brandhorst
D418,413	S	1/2000	Stern
6,273,307	B1	8/2001	Gross

FIG. 1 is a perspective view of a new design for an end cap for a container;

FIG. 2 is a front side elevational view thereof;

FIG. 3 is a right side elevational view thereof;

FIG. 4 is a rear side elevational view thereof;

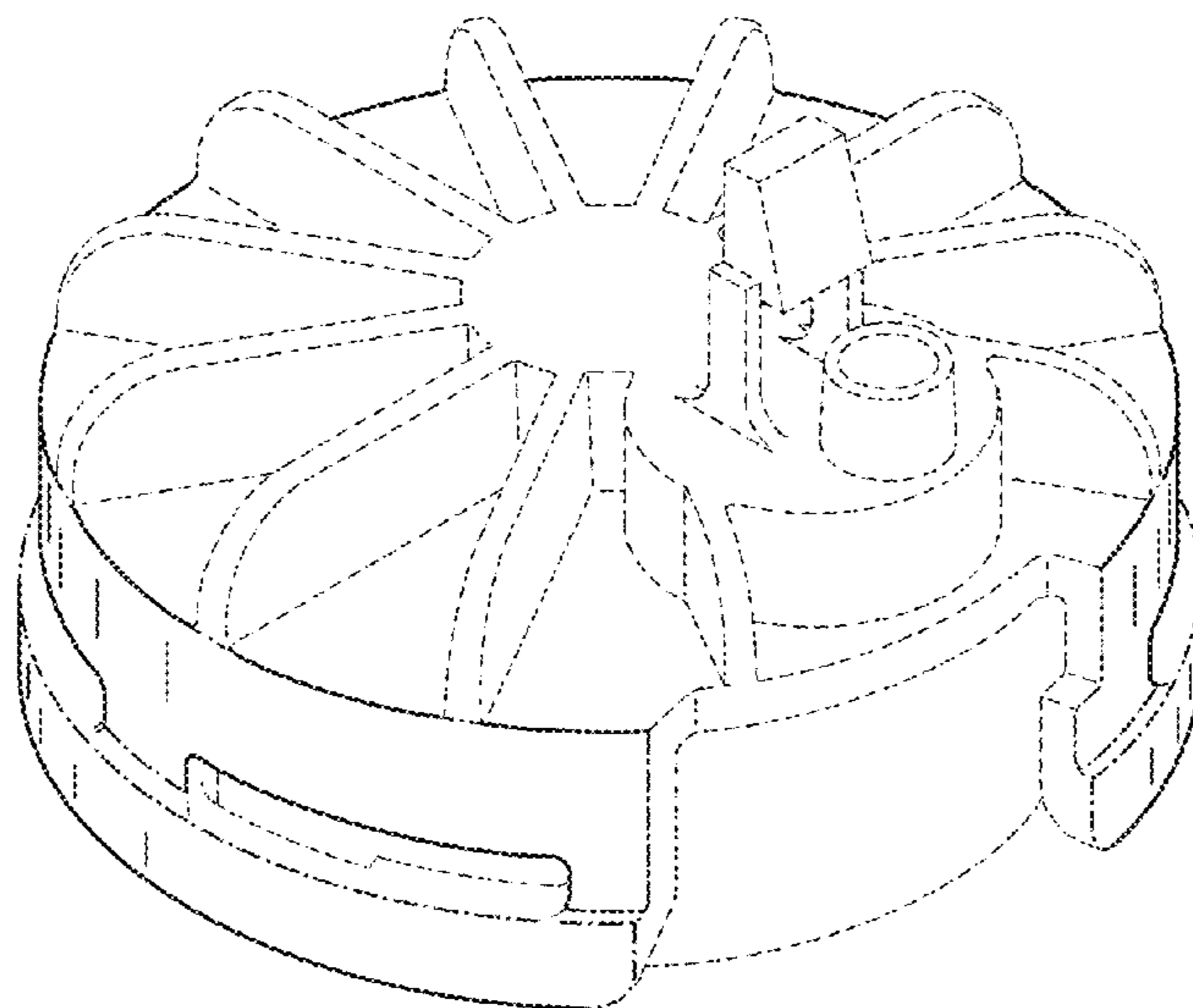
FIG. 5 is a left side elevational view thereof;

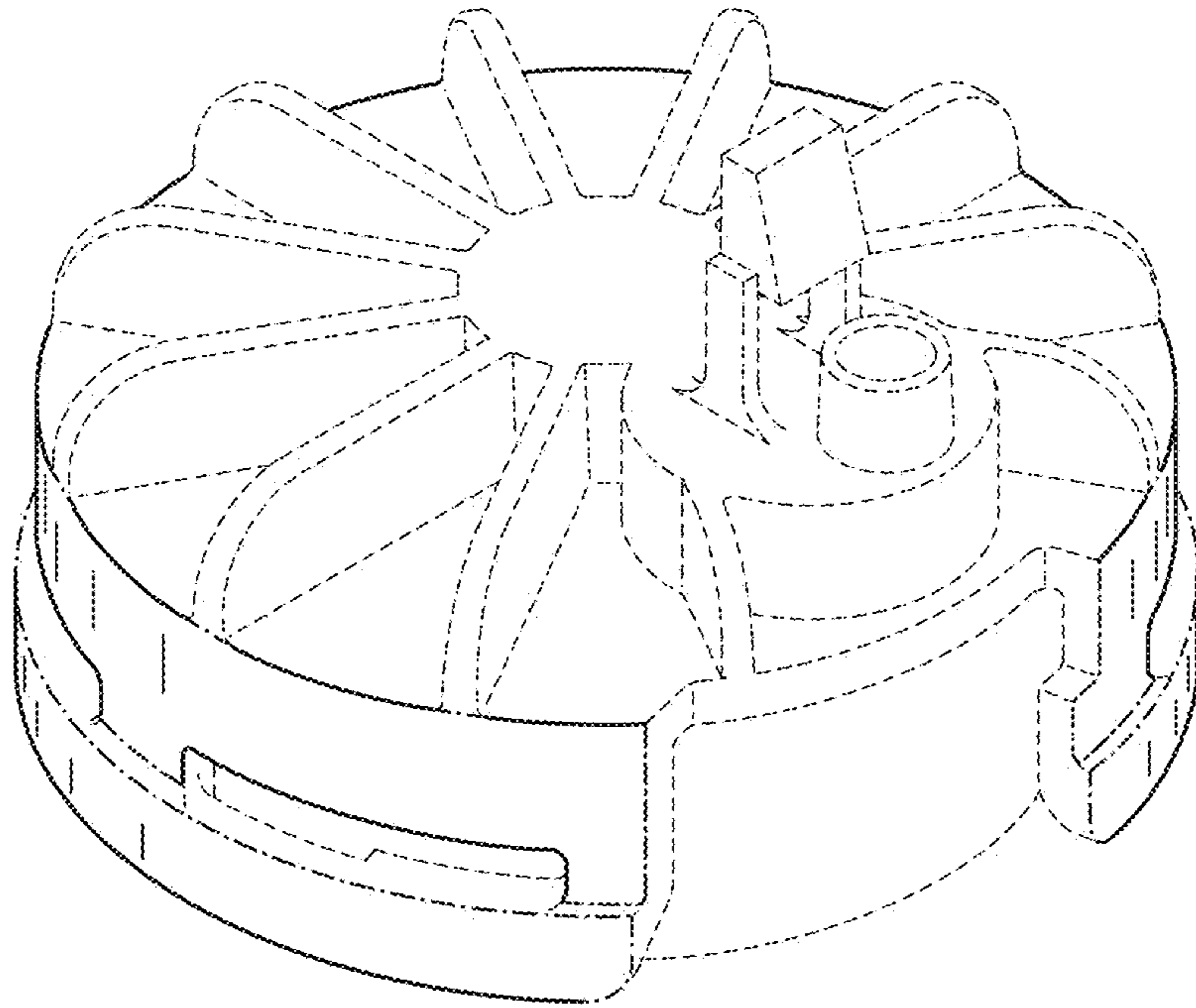
FIG. 6 is a top plan view thereof; and,

FIG. 7 is a bottom plan view thereof.

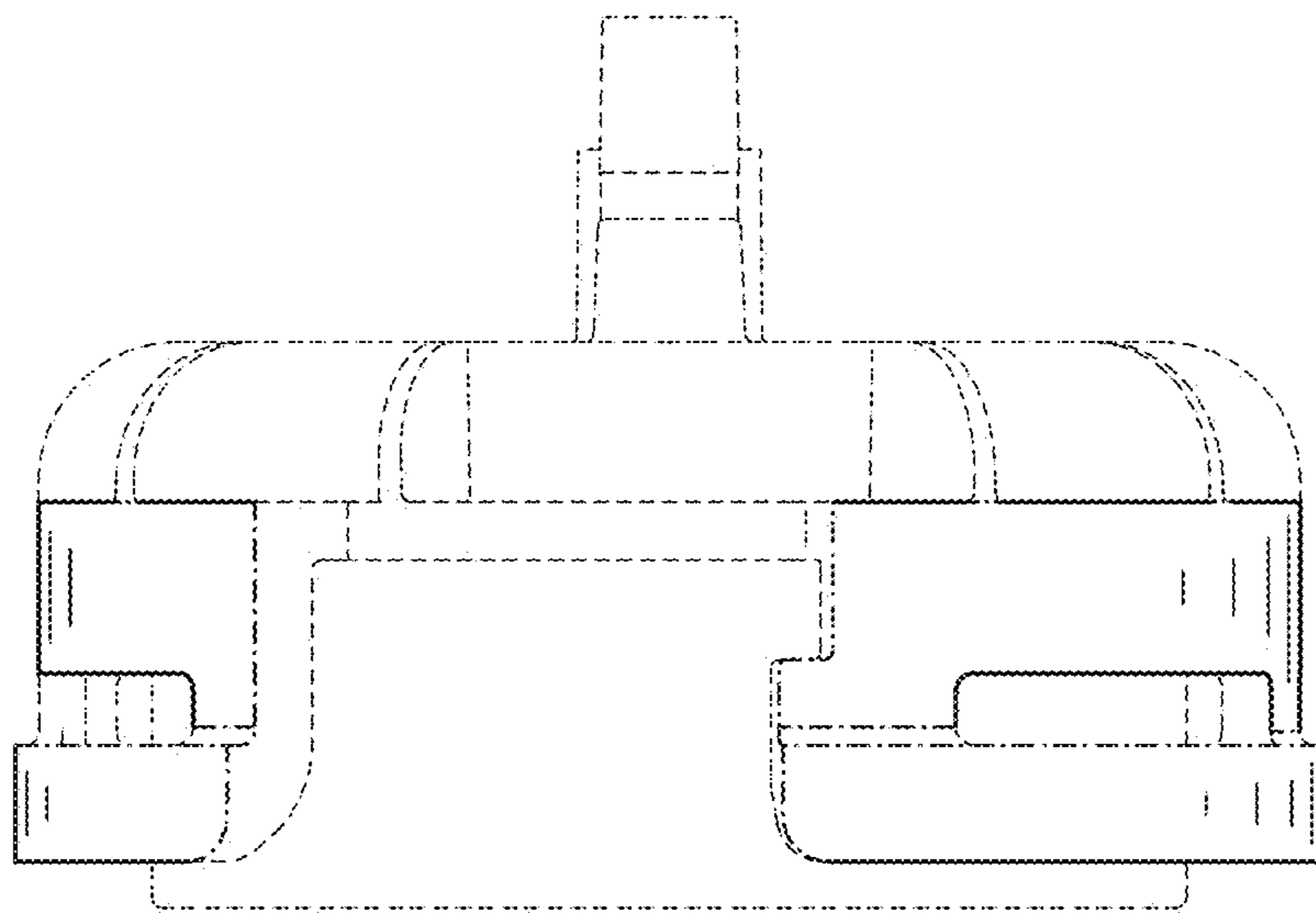
The evenly-spaced broken lines in the drawings represent unclaimed environmental subject matter; the dash-dot-dash lines represent boundaries of the claim.

**1 Claim, 3 Drawing Sheets**

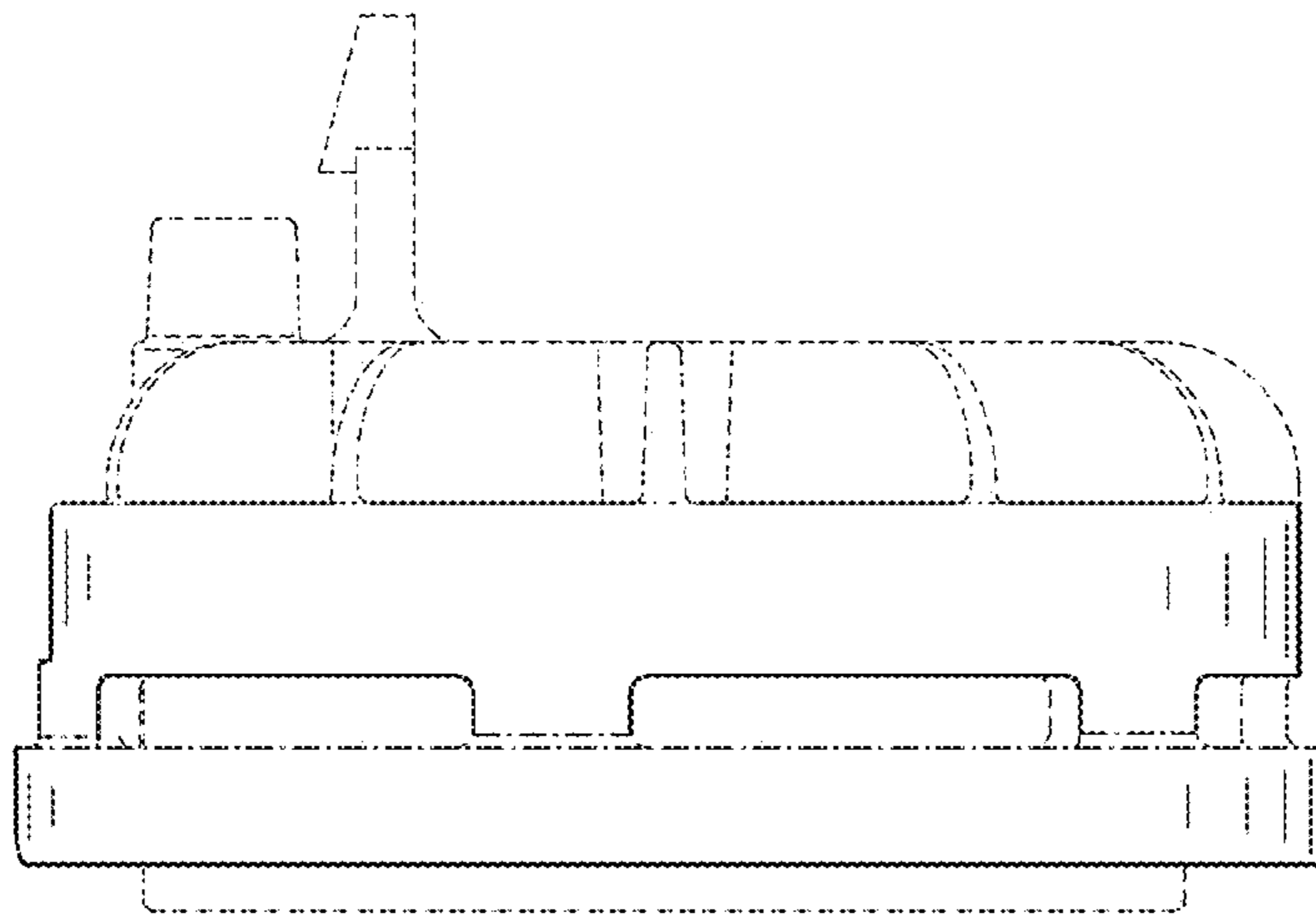




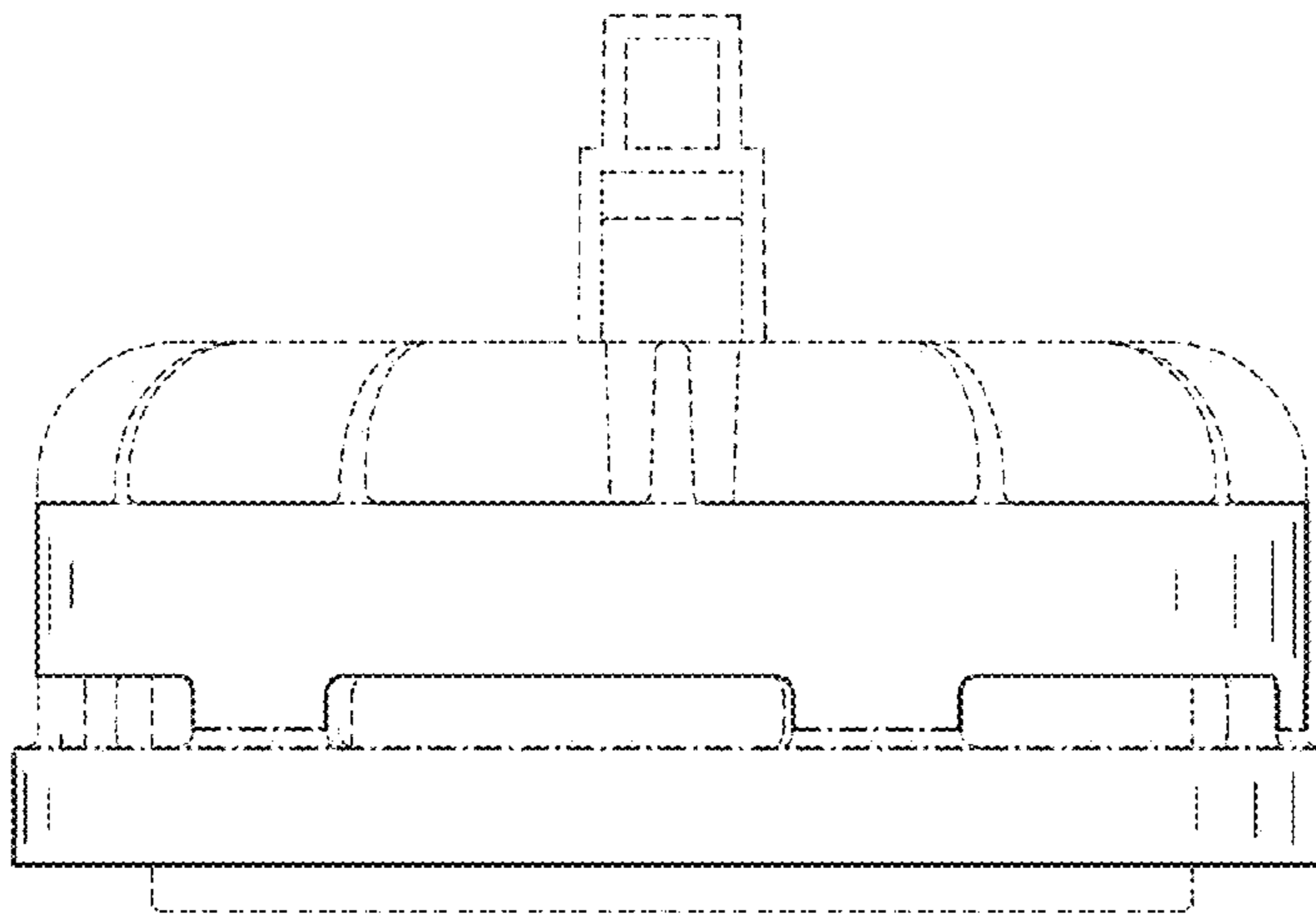
*FIG. 1*



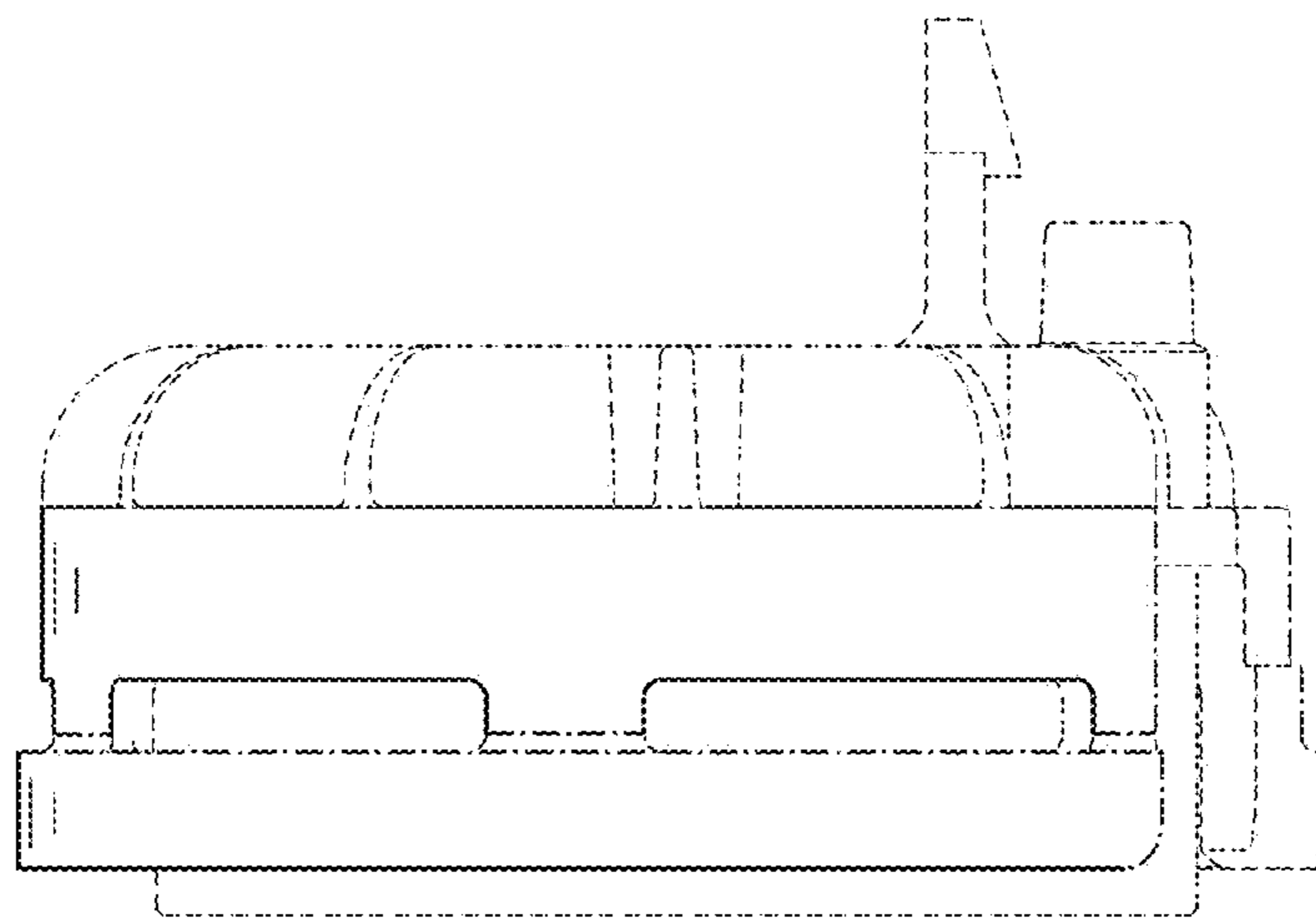
*FIG. 2*



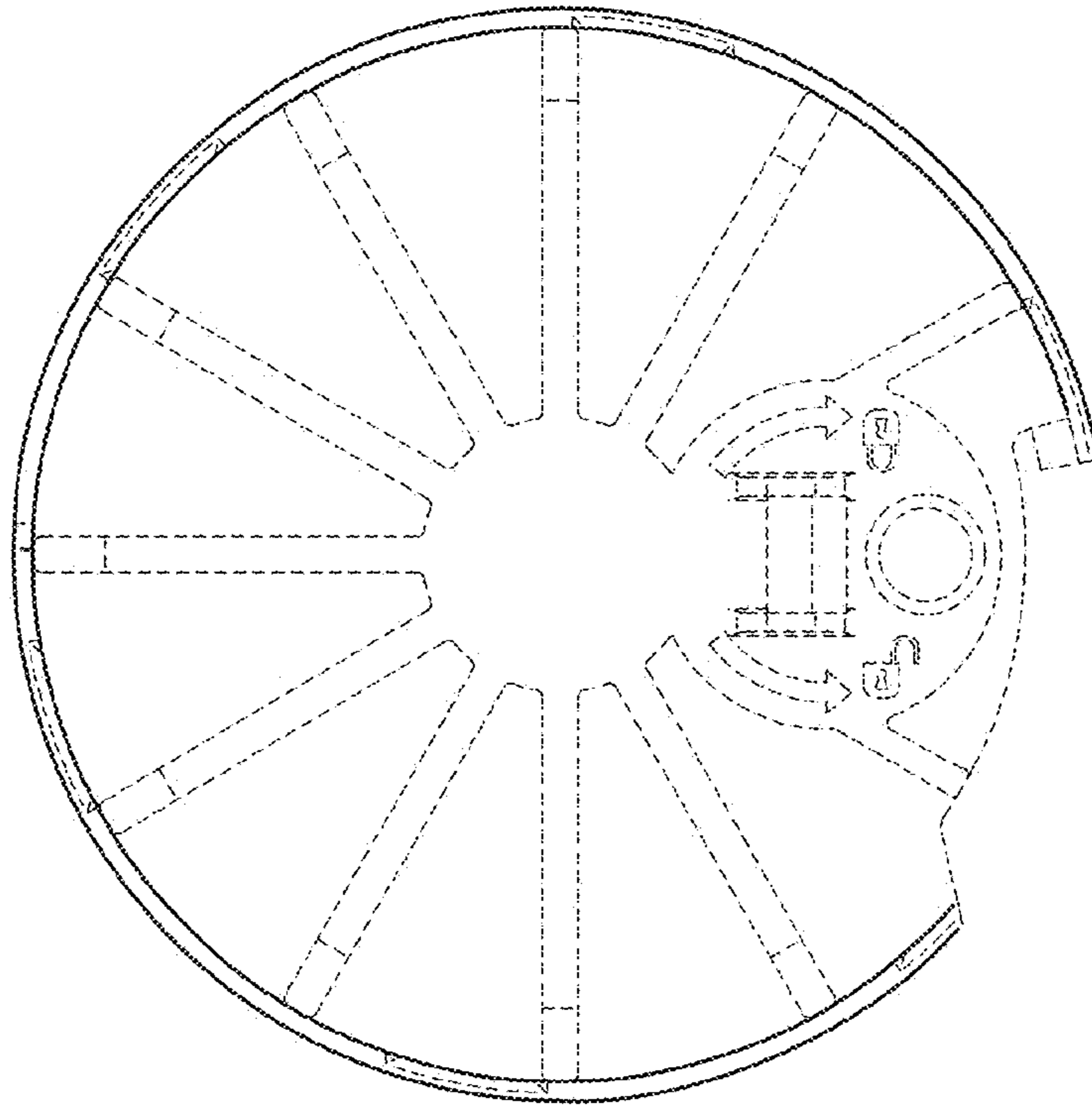
*FIG. 3*



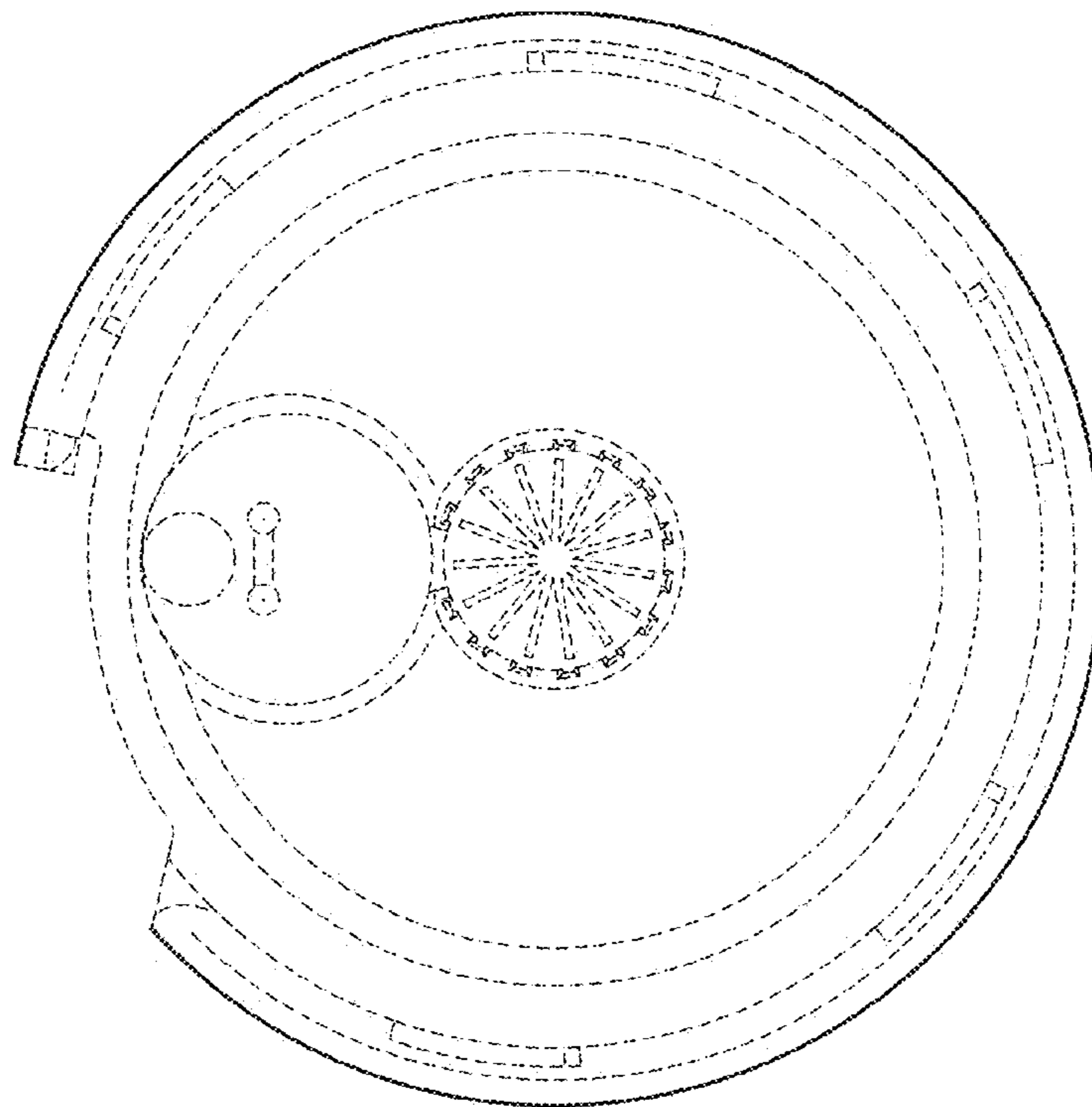
*FIG. 4*



*FIG. 5*



*FIG. 6*



*FIG. 7*