



US00D752978S

(12) **United States Design Patent**
Zabeleta et al.

(10) **Patent No.:** **US D752,978 S**
(45) **Date of Patent:** **** Apr. 5, 2016**

(54) **BEVERAGE CAN LID**

(71) Applicants: **Daniel A. Zabeleta**, Cooper City, FL (US); **Sam D. Hackett**, Fort Lauderdale, FL (US); **Joseph D. Bulso**, Canton, OH (US); **Daniel Edward Livezey**, Festerville, PA (US); **William Allen Hibbs, Jr.**, Bolivar, OH (US)

(72) Inventors: **Daniel A. Zabeleta**, Cooper City, FL (US); **Sam D. Hackett**, Fort Lauderdale, FL (US); **Joseph D. Bulso**, Canton, OH (US); **Daniel Edward Livezey**, Festerville, PA (US); **William Allen Hibbs, Jr.**, Bolivar, OH (US)

(**) Term: **14 Years**

(21) Appl. No.: **29/491,268**

(22) Filed: **May 19, 2014**

(51) **LOC (10) Cl.** **09-07**

(52) **U.S. Cl.**
USPC **D9/454**

(58) **Field of Classification Search**

USPC D9/434, 435, 436, 438, 440, 444, 449, D9/454, 499, 903; D7/305, 392.1, 900
CPC B65D 17/16; B65D 17/166; B65D 35/24; B65D 41/32; B65D 51/18; Y10S 22/906
See application file for complete search history.

(56) **References Cited**

U.S. PATENT DOCUMENTS

3,223,279 A * 12/1965 Wheaton B65D 17/16
220/270
4,520,942 A * 6/1985 Dwinell B65D 41/62
215/251
5,425,471 A * 6/1995 Wendt B26D 7/1827
215/388
D436,867 S * 1/2001 Spreitzer D9/435
D536,251 S * 2/2007 Richards D9/438

D556,036 S * 11/2007 Lohrman D9/438
8,770,435 B2 * 7/2014 Weiss B65D 43/06
220/780
8,827,094 B2 * 9/2014 McGeough B65D 47/06
215/232

(Continued)

OTHER PUBLICATIONS

Customized Logo 401# Stretch Tin Can Lids for Food and Wine Paper Tube, curiousexpeditions.org, 2 pages. Found online Nov. 11, 2015 at http://papercanspackaging.sell.curiousexpeditions.org/iz6f9e2df-customised-logo-401-stretch-tin-can-lids-for-food-and-wine-paper-tube-images.*

(Continued)

Primary Examiner — Robert M Spear

(74) *Attorney, Agent, or Firm* — Allen D. Hertz, P.A.; Allen D. Hertz

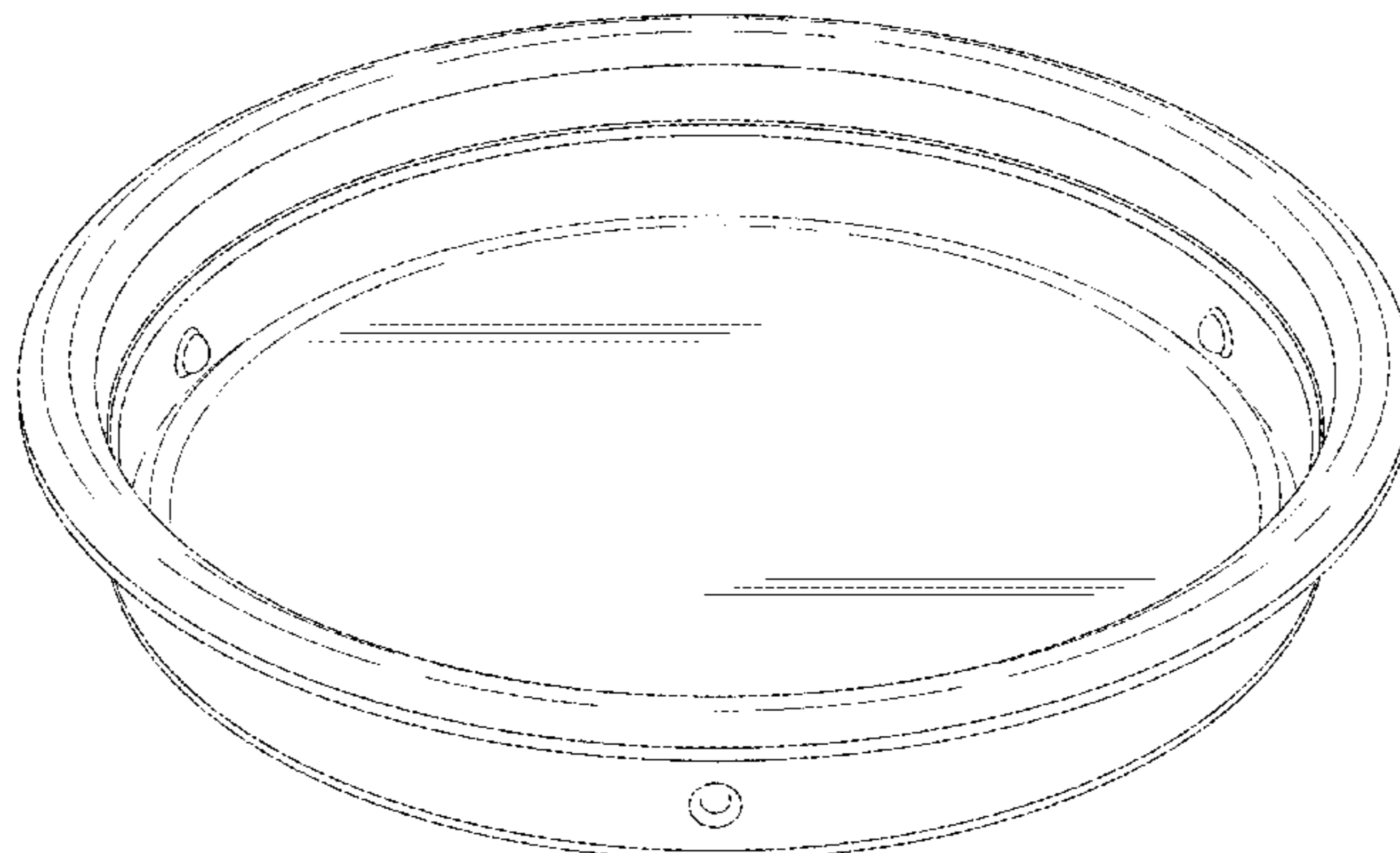
(57) **CLAIM**

I claim the ornamental design for a beverage can lid, as shown and described.

DESCRIPTION

FIG. 1 is an isometric top view of a beverage can lid;
FIG. 2 is an isometric bottom view thereof;
FIG. 3 is a top view thereof;
FIG. 4 is a bottom view thereof;
FIG. 5 is a front view thereof;
FIG. 6 is a right side view thereof;
FIG. 7 is a rear view thereof;
FIG. 8 is a left side view thereof;
FIG. 9 is a sectioned elevation left side view thereof, the section being taken in the direction of section line 9-9 of FIG. 3;
FIG. 10 is a sectioned elevation rear view thereof, the section being taken in the direction of section line 10-10 of FIG. 3;
FIG. 11 is a side elevation view of the beverage can lid as installed on a beverage can; and,
FIG. 12 is a sectioned elevation rear view of the beverage can lid as installed on a beverage can, wherein the section is taken in the direction of section 10-10 of FIG. 3.
The evenly spaced broken lines in the drawings illustrate a beverage can that forms no part of the claim.

1 Claim, 12 Drawing Sheets



(56)

References Cited

U.S. PATENT DOCUMENTS

8,844,761 B2 * 9/2014 Zabaleta B65D 41/32
220/254.8
D728,314 S * 5/2015 Carstensen D7/510
9,162,796 B2 * 10/2015 Bratsch B65D 17/166
2013/0240527 A1 * 9/2013 Philippe B44D 3/12
220/270
2014/0041338 A1 * 2/2014 Zabaleta B65D 41/32
53/412

OTHER PUBLICATIONS

Gold Candle Jars Timplite 307# Stretch Metal Can Lids,
curiousexpeditions.org, 2 pages. Found online Nov. 11, 2015 at
[http://papercanspackaging.sell.curiosexpeditions.org/iz6f9e2dc-
gold-candle-jars-tinplate-307-images.*](http://papercanspackaging.sell.curiosexpeditions.org/iz6f9e2dc-gold-candle-jars-tinplate-307-images.*)

* cited by examiner

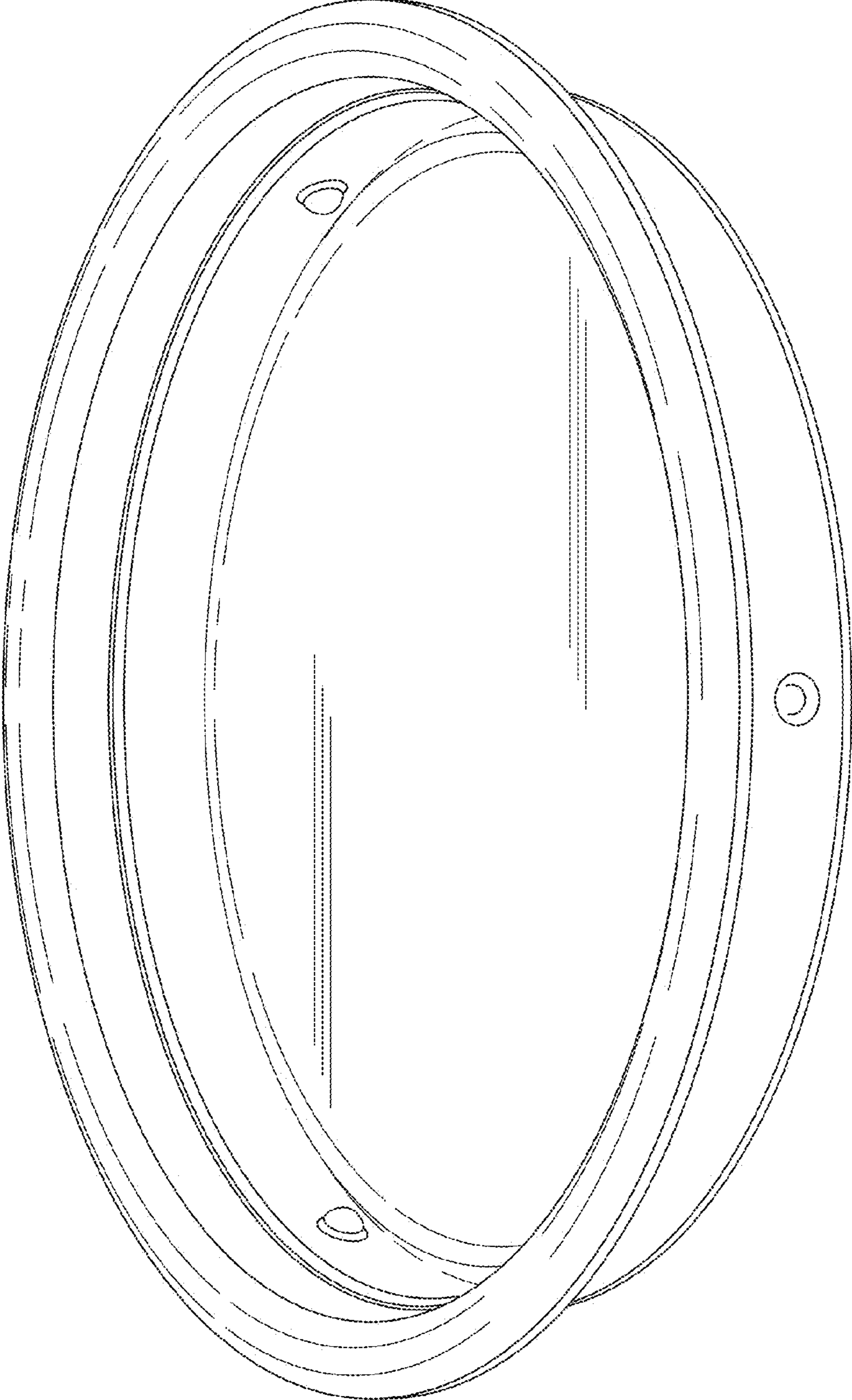


FIG. 1

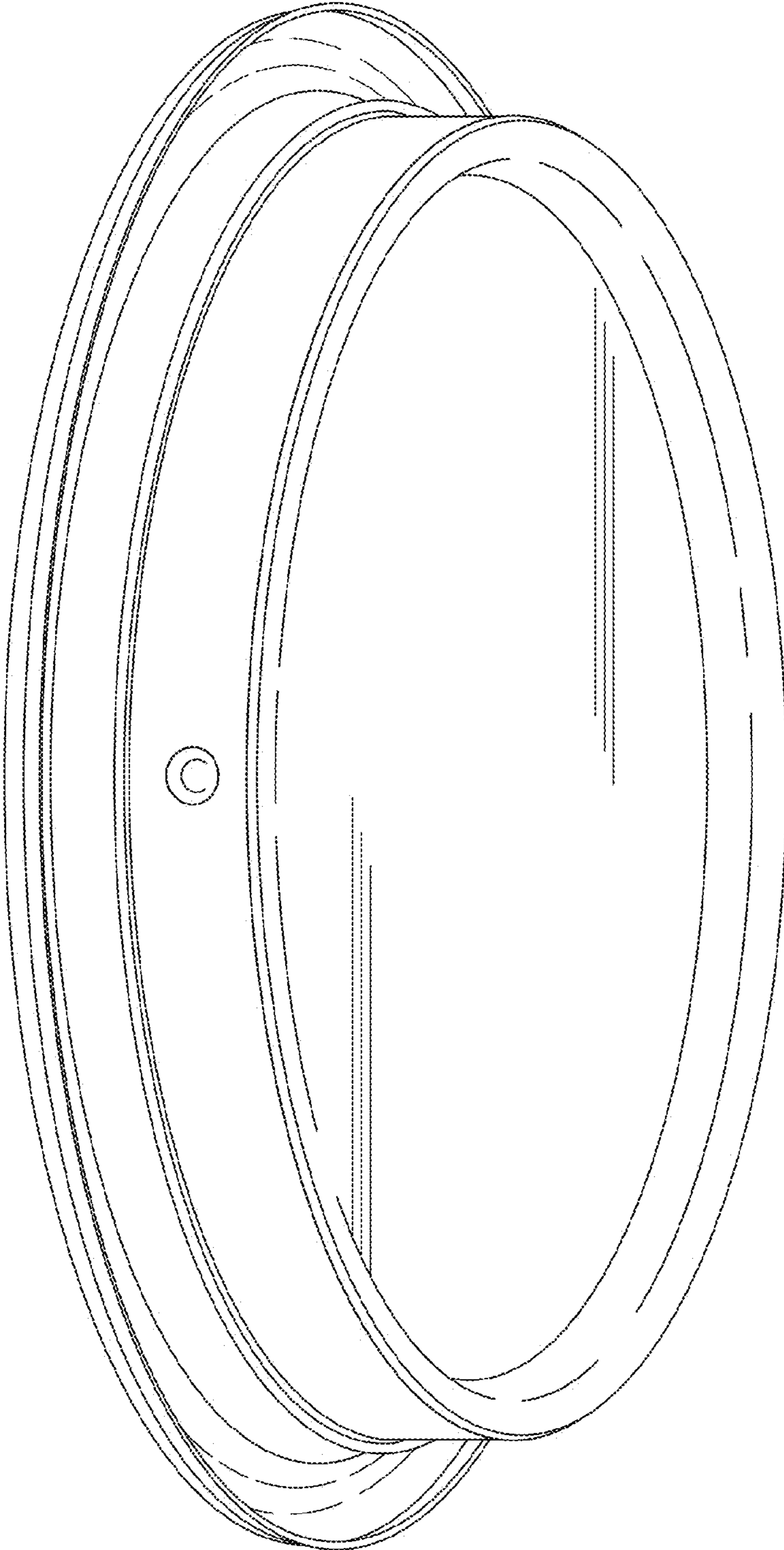
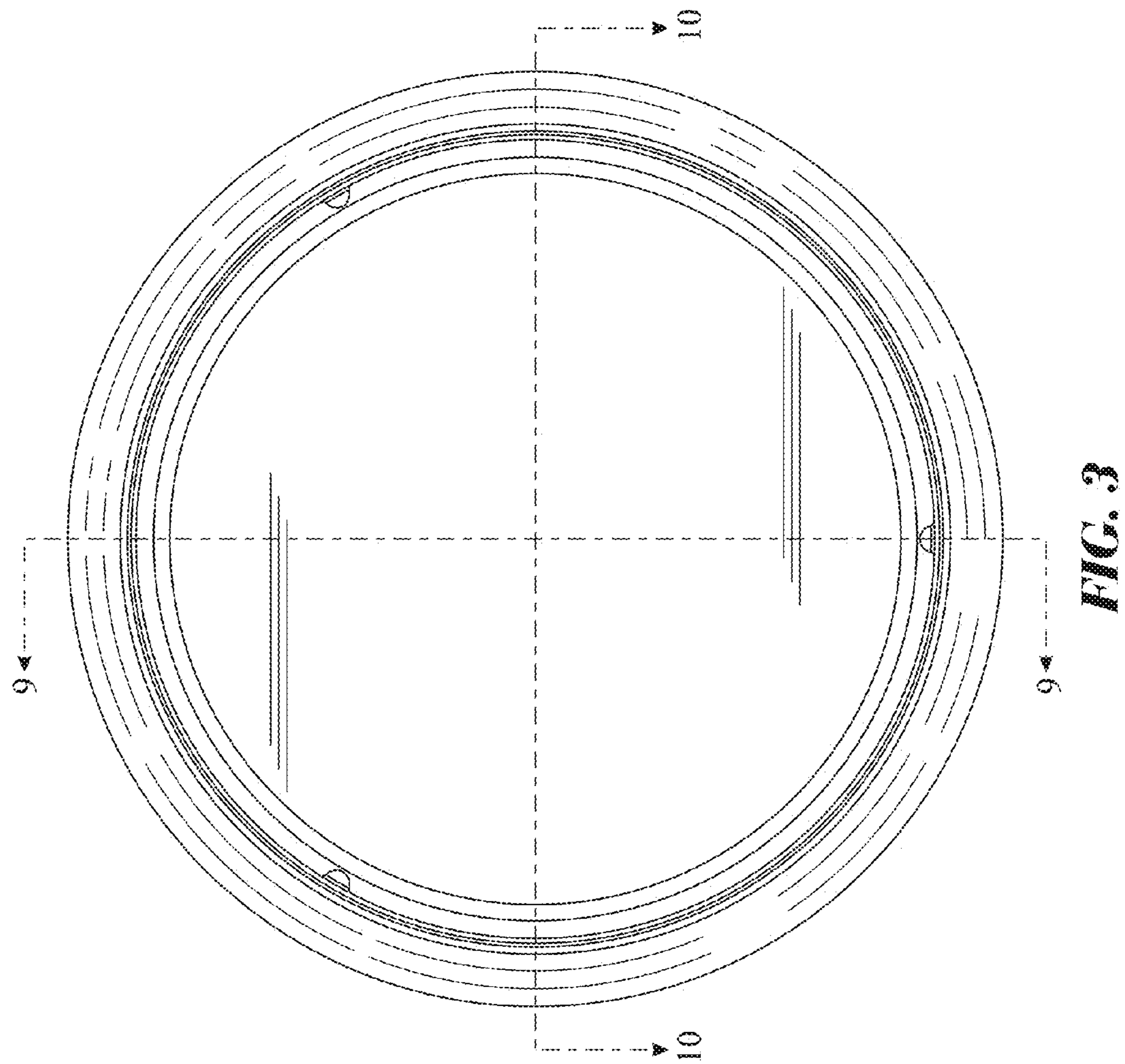


FIG. 2



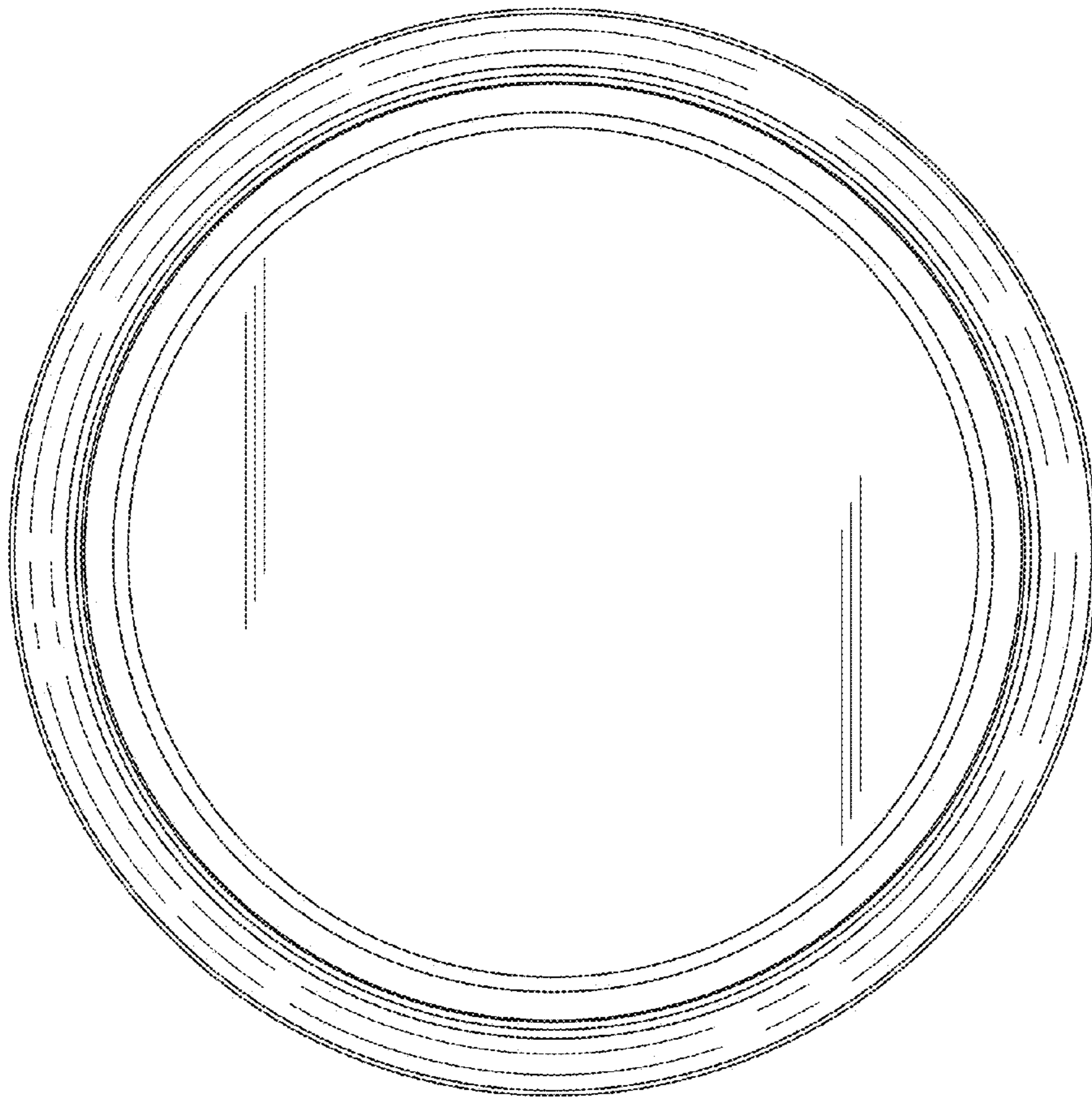


FIG. 4

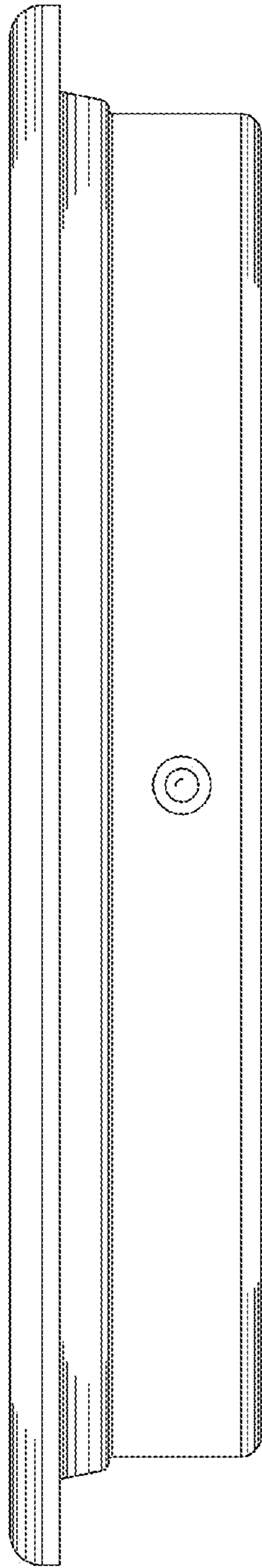


FIG. 5

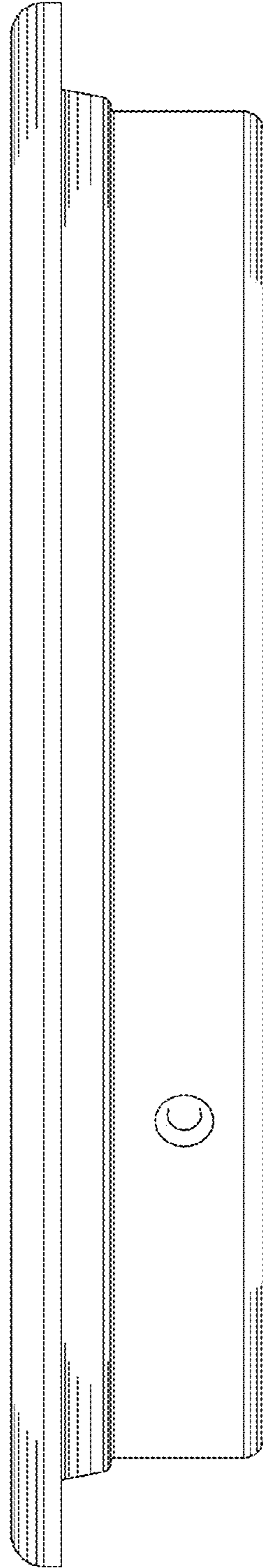


FIG. 6

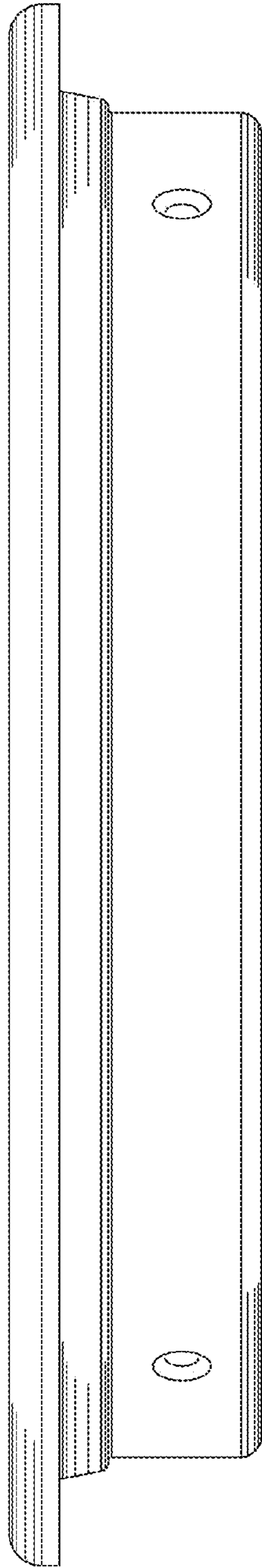


FIG. 7

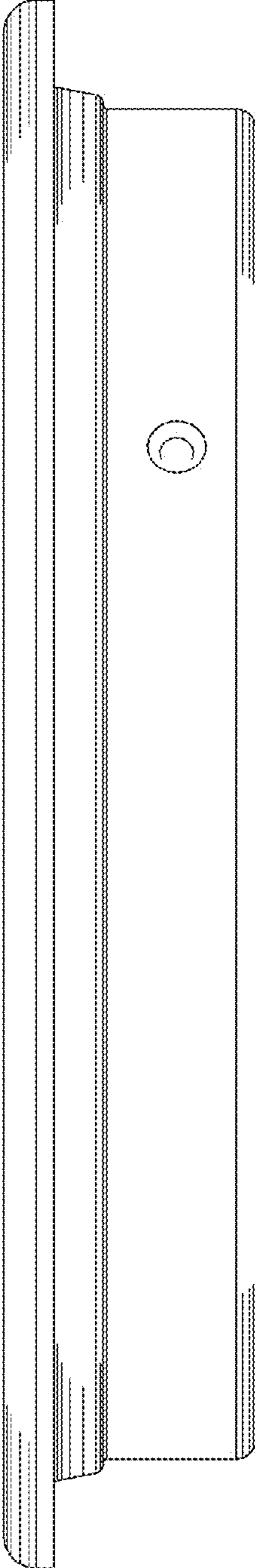


FIG. 8

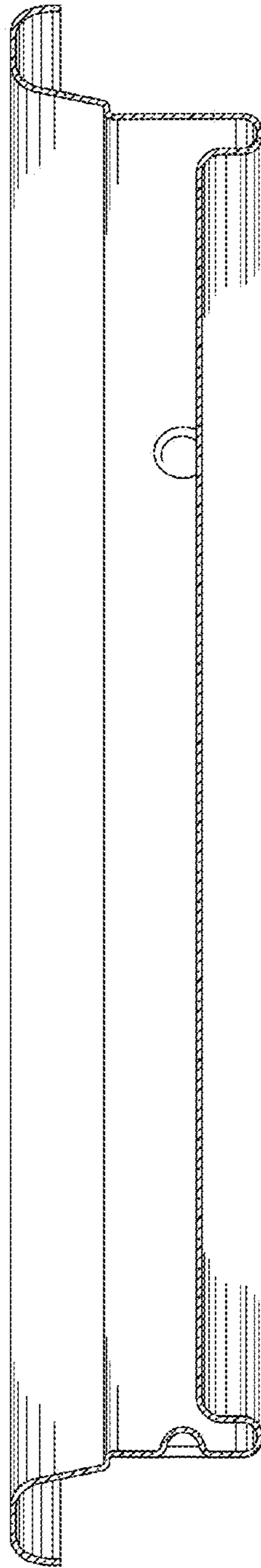


FIG. 9

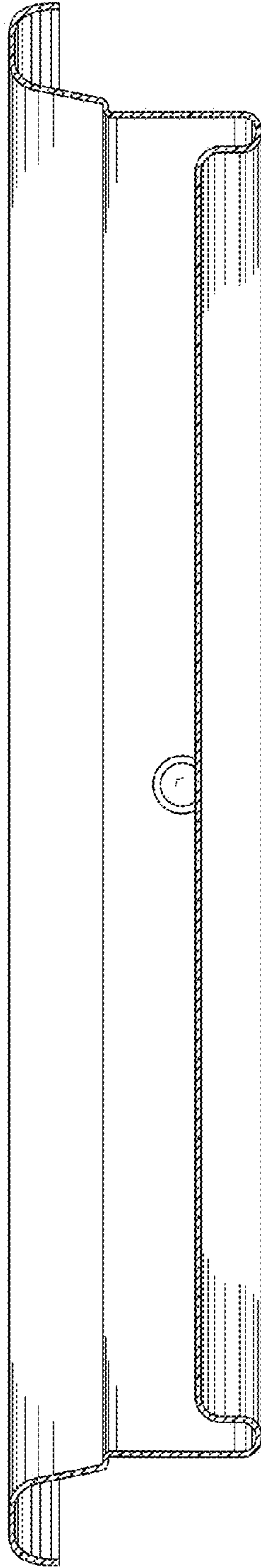


FIG. 10

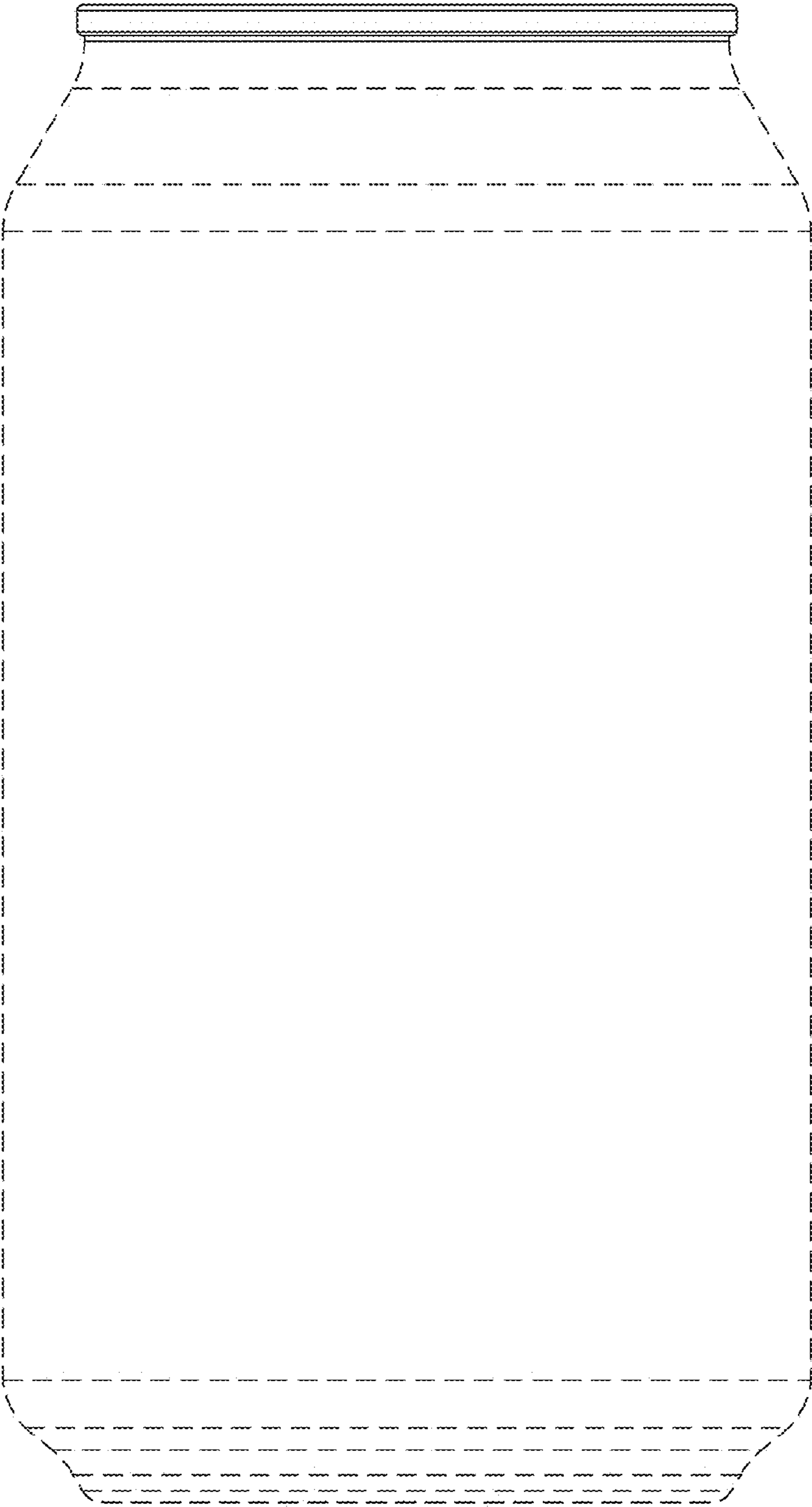


FIG. 11

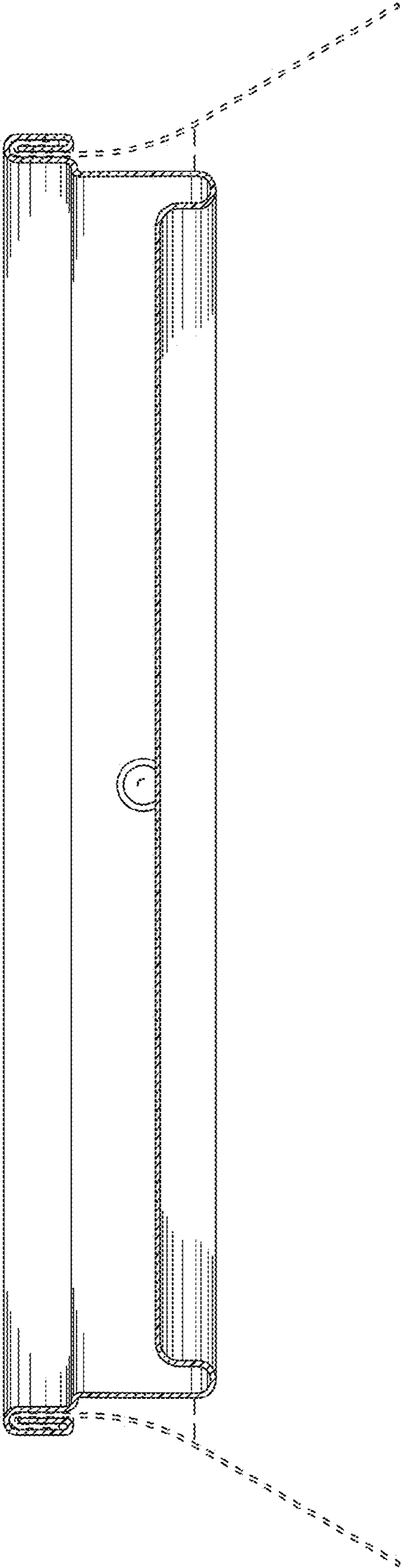


FIG. 12