



US00D752976S

(12) **United States Design Patent**
Koffel et al.

(10) **Patent No.:** **US D752,976 S**
(45) **Date of Patent:** **** Apr. 5, 2016**

(54) **POUR SPOUT**

(71) Applicant: **Windy Hill Spirits, Inc.**, Nashville, TN
(US)

(72) Inventors: **Sean Michael Koffel**, Nashville, TN
(US); **Patrick Martin Dillingham**,
Nashville, TN (US)

(**) Term: **14 Years**

(21) Appl. No.: **29/515,135**

(22) Filed: **Jan. 20, 2015**

Related U.S. Application Data

(63) Continuation of application No. 29/459,702, filed on
Jul. 2, 2013.

(51) **LOC (10) Cl.** **09-07**

(52) **U.S. Cl.**
USPC **D9/447**

(58) **Field of Classification Search**
USPC D6/524-545; D7/300, 321, 392.1,
D7/396.2, 500, 507, 509, 510, 511, 900;
D9/434-448, 452-455, 682, 685, 694;
215/200, 235, 236, 252, 254, 329,
215/355-364; 220/203.04-203.07, 220,
220/254.1, 254.4, 556, 703, 704, 705
CPC A47G 19/26; A47G 19/2266; A47G
19/2211; B65D 47/0814; B65D 41/3428;
B65D 41/42; B65D 41/0428; B65D 39/00;
B65D 39/08; B65D 39/12; B65D 39/02;
B65D 39/16; B65D 88/34; B65D 2543/00092;
B65D 17/166; B65D 1/36; A23G 3/50;
A47J 27/09; F01P 11/0238

See application file for complete search history.

(56) **References Cited**

U.S. PATENT DOCUMENTS

115,754 A *	6/1871	Mason	B65D 55/0845 215/274
155,754 A	6/1871	Mason	
D30,764 S	5/1899	Ross	
2,173,570 A	9/1939	Jesnig	
D160,485 S	10/1950	Detzel	
2,543,470 A	2/1951	Ryan	
D170,712 S	10/1953	Painter	
2,679,337 A	5/1954	Leach	
2,826,345 A	3/1958	Thomsen	
4,006,557 A	2/1977	Sawyer	
4,225,052 A	9/1980	Tector et al.	
4,700,861 A	10/1987	Neward	
D324,173 S *	2/1992	Lynd	D9/746
D325,497 S	4/1992	Albertson	
D336,855 S	6/1993	Tacconelli	
D407,632 S	4/1999	Kunesh	
D590,255 S *	4/2009	Maxwell	D9/447
D608,900 S	1/2010	Giraud et al.	
D630,094 S	1/2011	Maxwell	

(Continued)

Primary Examiner — Robert M Spear

Assistant Examiner — Marissa J Cash

(74) *Attorney, Agent, or Firm* — Bass, Berry & Sims PLC

(57) **CLAIM**

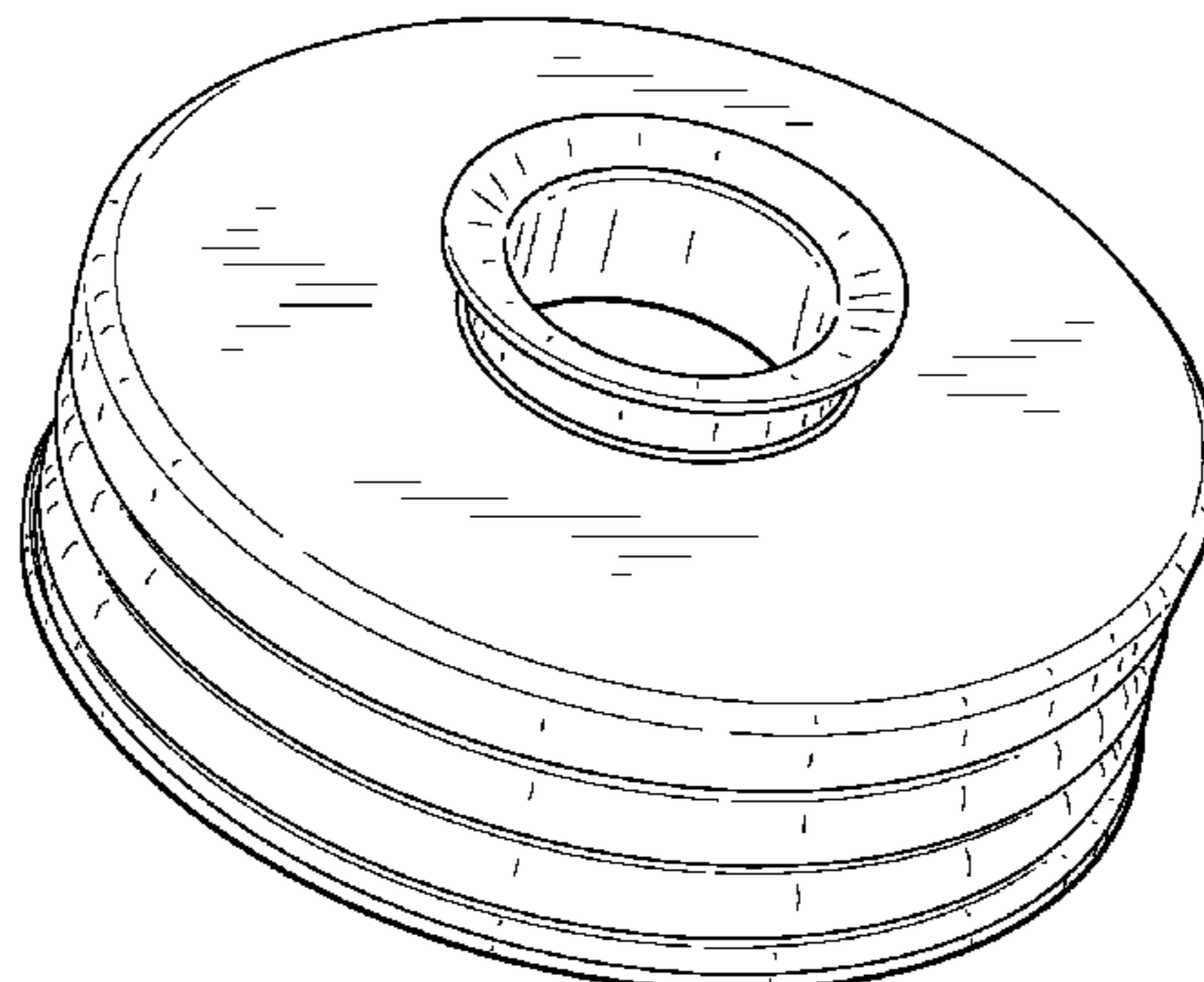
The ornamental design for a pour spout, as shown and described.

DESCRIPTION

FIG. 1 is a top perspective view of a pour spout showing our new design;
FIG. 2 is a side perspective view thereof;
FIG. 3 is a top plan view thereof;
FIG. 4 is a bottom plan view thereof;
FIG. 5 is a side view thereof; and,
FIG. 6 is a cutaway side view thereof taken through plane A-A in FIG. 4.

The broken lines shown in the drawings are included for the purpose of illustrating environmental structure and form no part of the claimed design.

1 Claim, 3 Drawing Sheets



(56)

References Cited

U.S. PATENT DOCUMENTS

D658,478 S 5/2012 Wall
D682,612 S 5/2013 Rzepecki
D694,625 S 12/2013 Maxwell

D719,826 S * 12/2014 Burnside D9/447
D723,917 S * 3/2015 Koffel D9/447
2011/0259846 A1 10/2011 Diegel et al.
2012/0181307 A1 7/2012 Grosser

* cited by examiner

FIG. 1

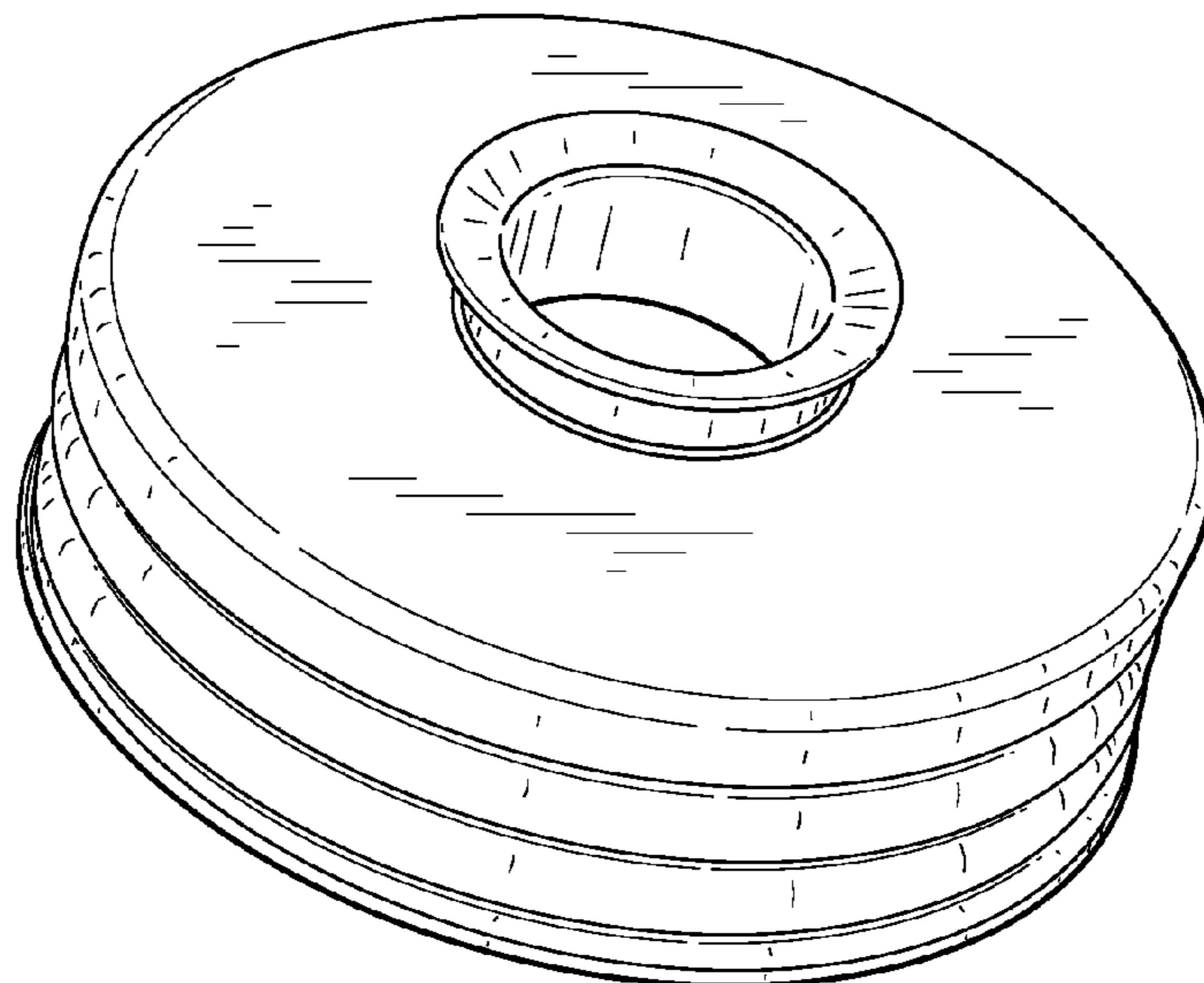


FIG. 2

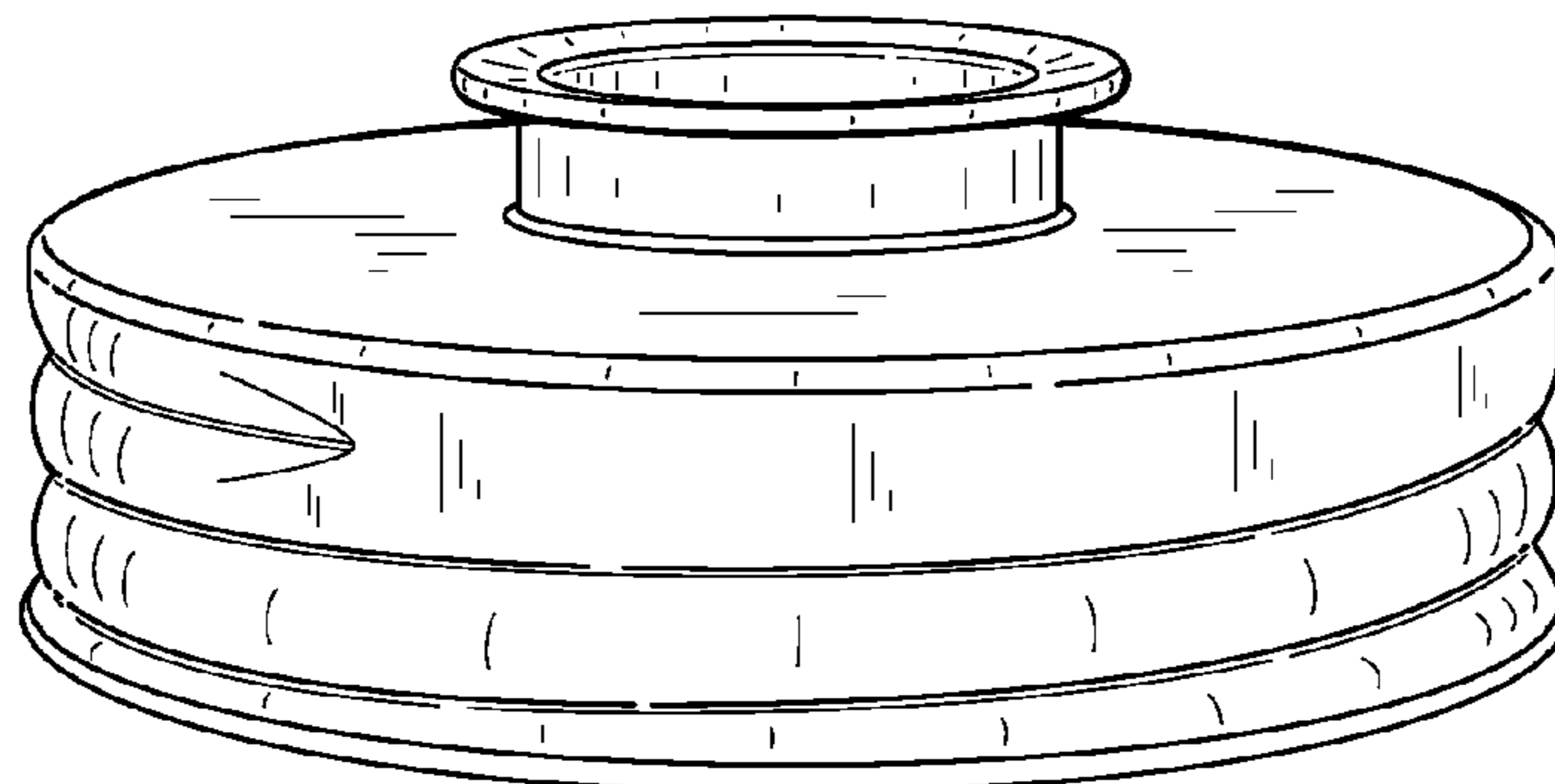


FIG. 3

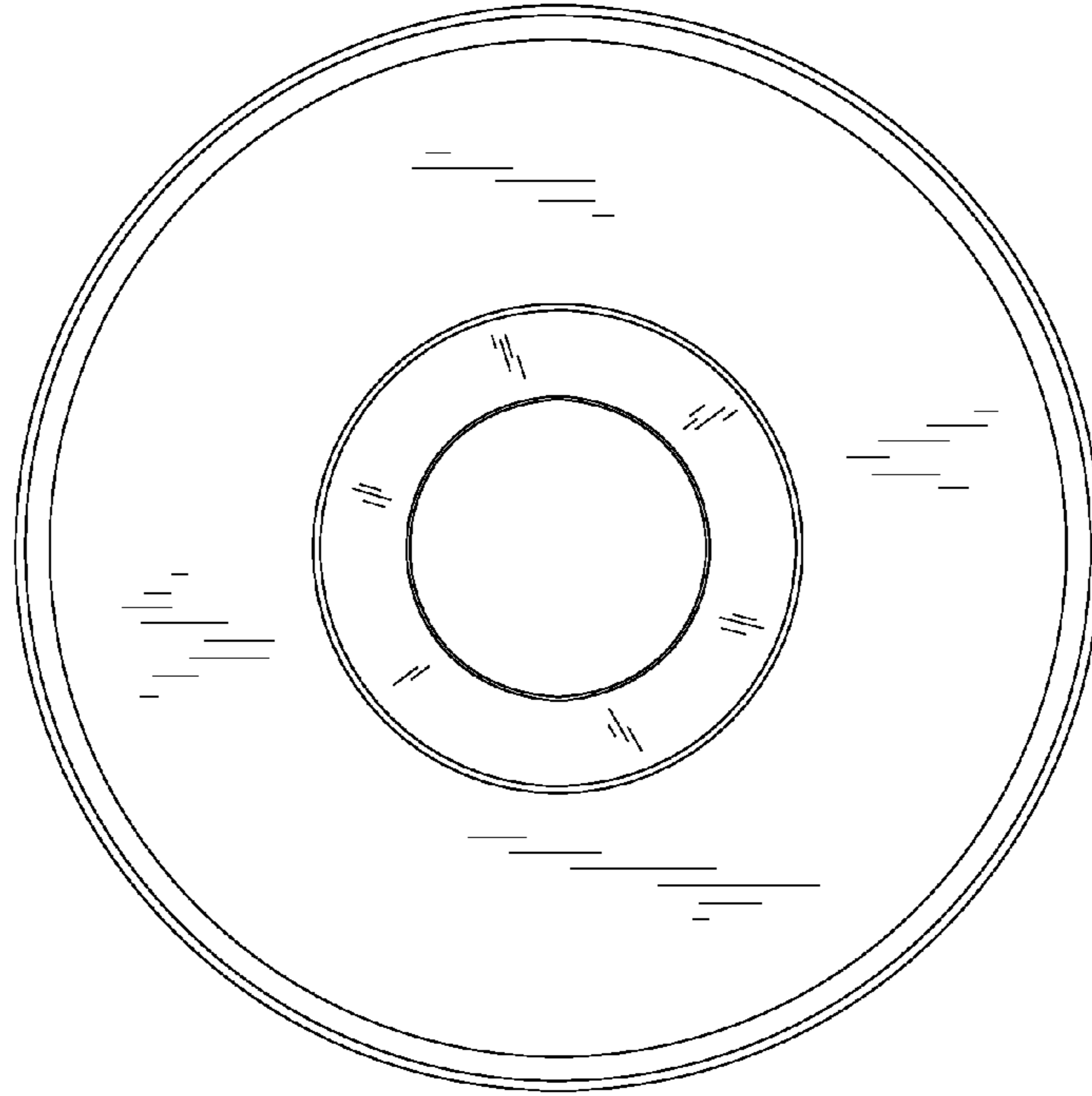


FIG. 4

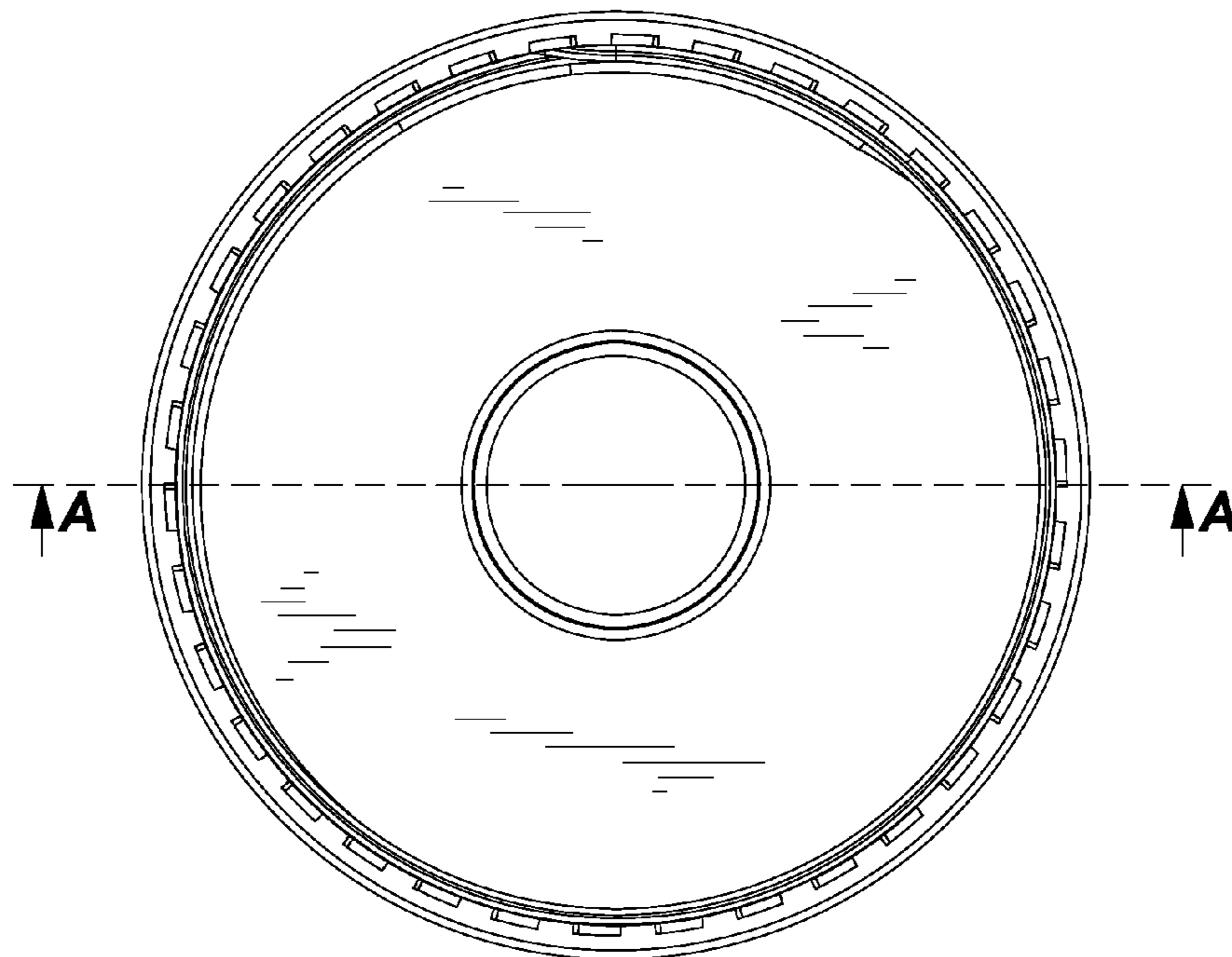


FIG. 5

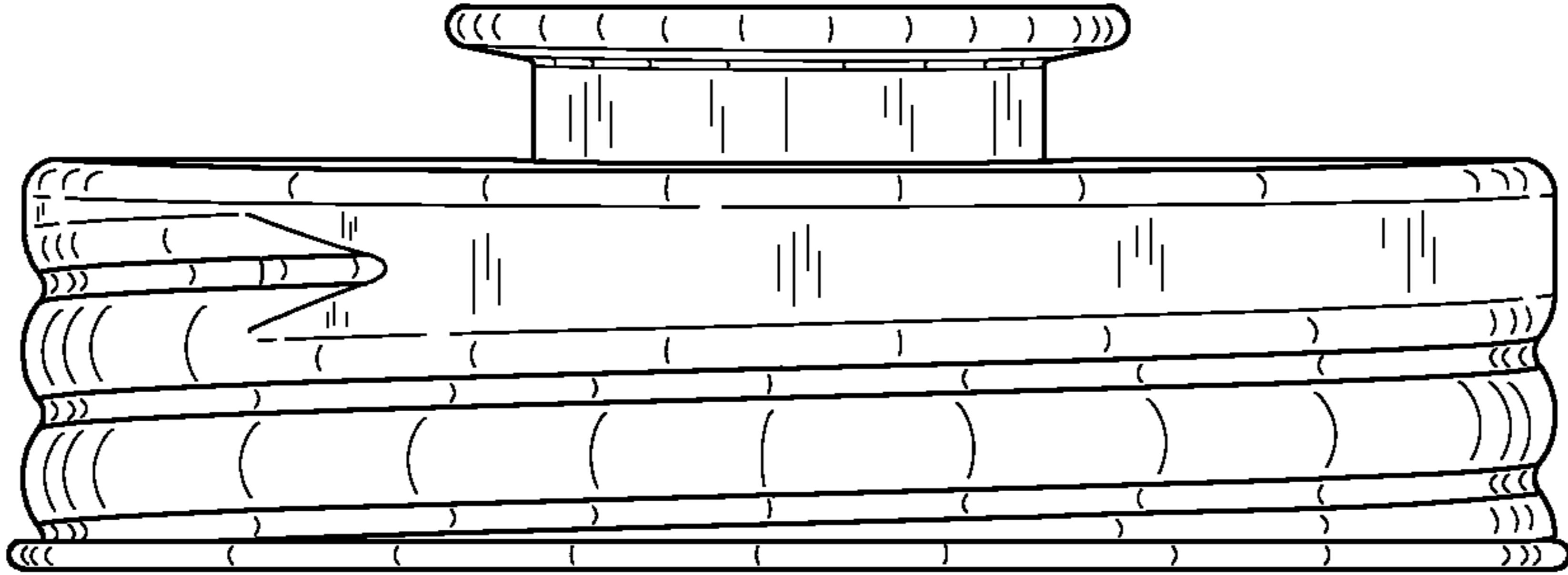


FIG. 6

