



US00D752975S

(12) **United States Design Patent**
Gatto

(10) **Patent No.:** **US D752,975 S**

(45) **Date of Patent:** **** *Apr. 5, 2016**

(54) **CONTAINER**

(75) Inventor: **Daniel Gatto**, Brooklyn, NY (US)

(73) Assignee: **ALFAY DESIGN, INC.**, Brooklyn, NY (US)

(*) Notice: This patent is subject to a terminal disclaimer.

(**) Term: **14 Years**

(21) Appl. No.: **29/346,673**

(22) Filed: **Nov. 4, 2009**

(51) **LOC (10) Cl.** **09-07**

(52) **U.S. Cl.**
USPC **D9/434**

(58) **Field of Classification Search**
USPC D9/780, 778, 772, 763, 756, 556, 529, D9/518, 504, 503, 454, 450, 449, 447, 440, D9/438, 435, 434, 428, 425, 424; D7/584, D7/392.1, 509, 549, 557, 601, 630, 396.2; 229/123.1; 220/906, 806, 716, 713, 220/711, 359.3, 359.1, 285, 273, 265, 220/259.2-259.4, 258.2, 257.1, 254.4; 206/256, 249, 232, 216

See application file for complete search history.

(56) **References Cited**

U.S. PATENT DOCUMENTS

3,409,168	A	*	11/1968	Chmielowiec	220/614
D296,425	S	*	6/1988	Carlson	D11/152
D346,135	S	*	4/1994	Carlson	D11/153
D352,479	S	*	11/1994	Carlson	D11/153
D359,708	S	*	6/1995	Boscato	D11/152

D360,850	S	*	8/1995	Grosfillex	D11/152
D363,897	S	*	11/1995	Carlson	D11/152
D364,358	S	*	11/1995	Bransky et al.	D11/152
D379,588	S	*	6/1997	Pledger et al.	D9/434
D490,341	S	*	5/2004	Harbaugh	D11/149
D524,691	S	*	7/2006	Caruso	D11/152
D569,764	S	*	5/2008	Schmidt	D11/152
D578,929	S	*	10/2008	White	D11/155

* cited by examiner

Primary Examiner — Ian Simmons

Assistant Examiner — Rashida C McCoy

(74) *Attorney, Agent, or Firm* — Mark M. Friedman

(57) **CLAIM**

I claim the ornamental design for a container, as shown and described.

DESCRIPTION

This patent application claims priority from U.S. patent application Ser. No. 29/314,712 previously filed by Applicant and Inventor Dan Gatto on Apr. 21, 2009 which was abandoned, and this application is a continuation in part thereof.

FIG. 1 is a perspective view of container showing my design;

FIG. 2 is a top view thereof;

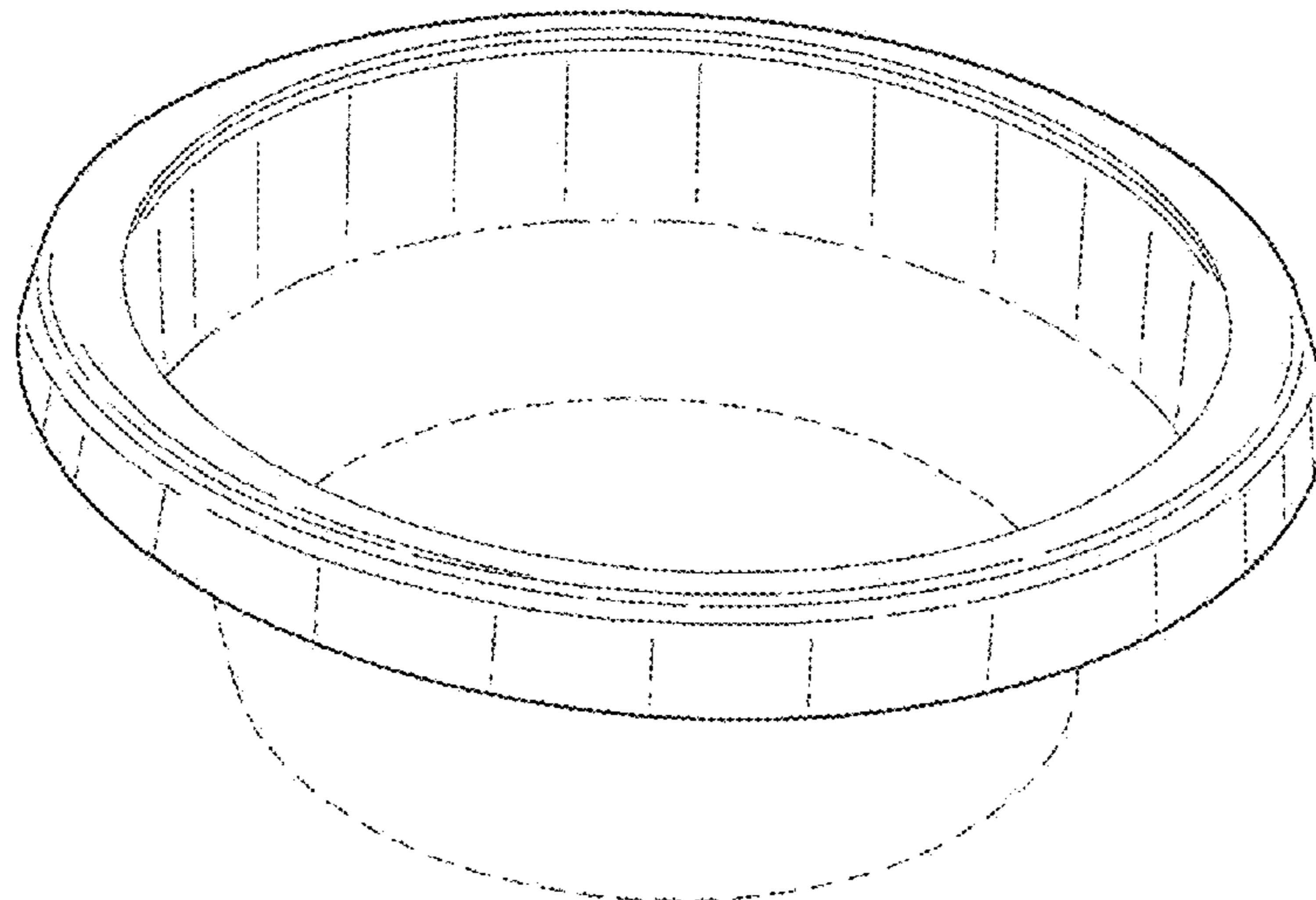
FIG. 3 is a bottom view thereof;

FIG. 4 is a side view thereof from the front, the other sides being identical; and,

FIG. 5 is a cross sectional view taken along line 5-5 of FIG. 2.

The dash-dot-dot-dash broken lines depict the lower boundary of the claimed design; the evenly spaced broken lines depict unclaimed environment. The broken lines form no part of the claim.

1 Claim, 5 Drawing Sheets



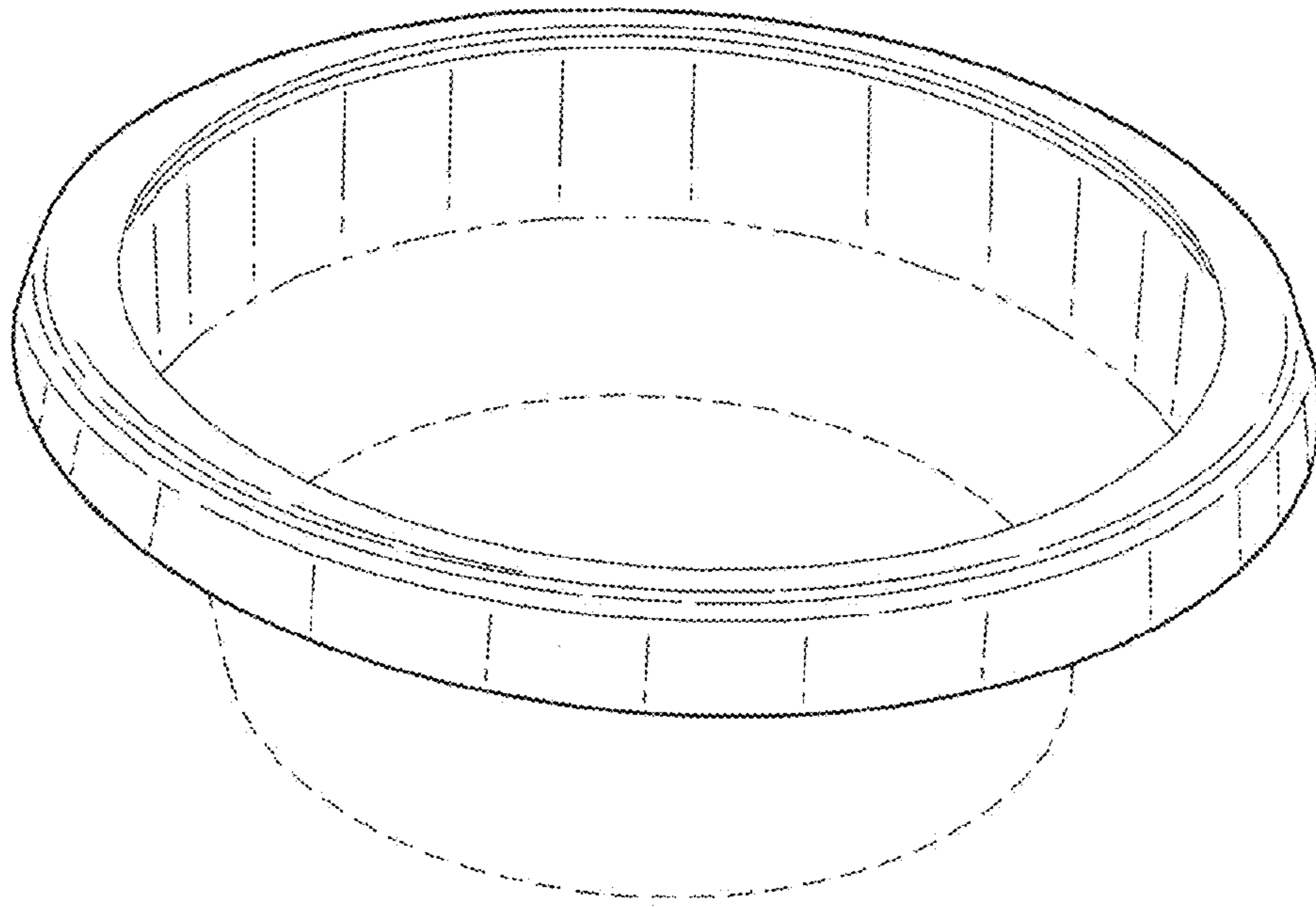


FIG. 1

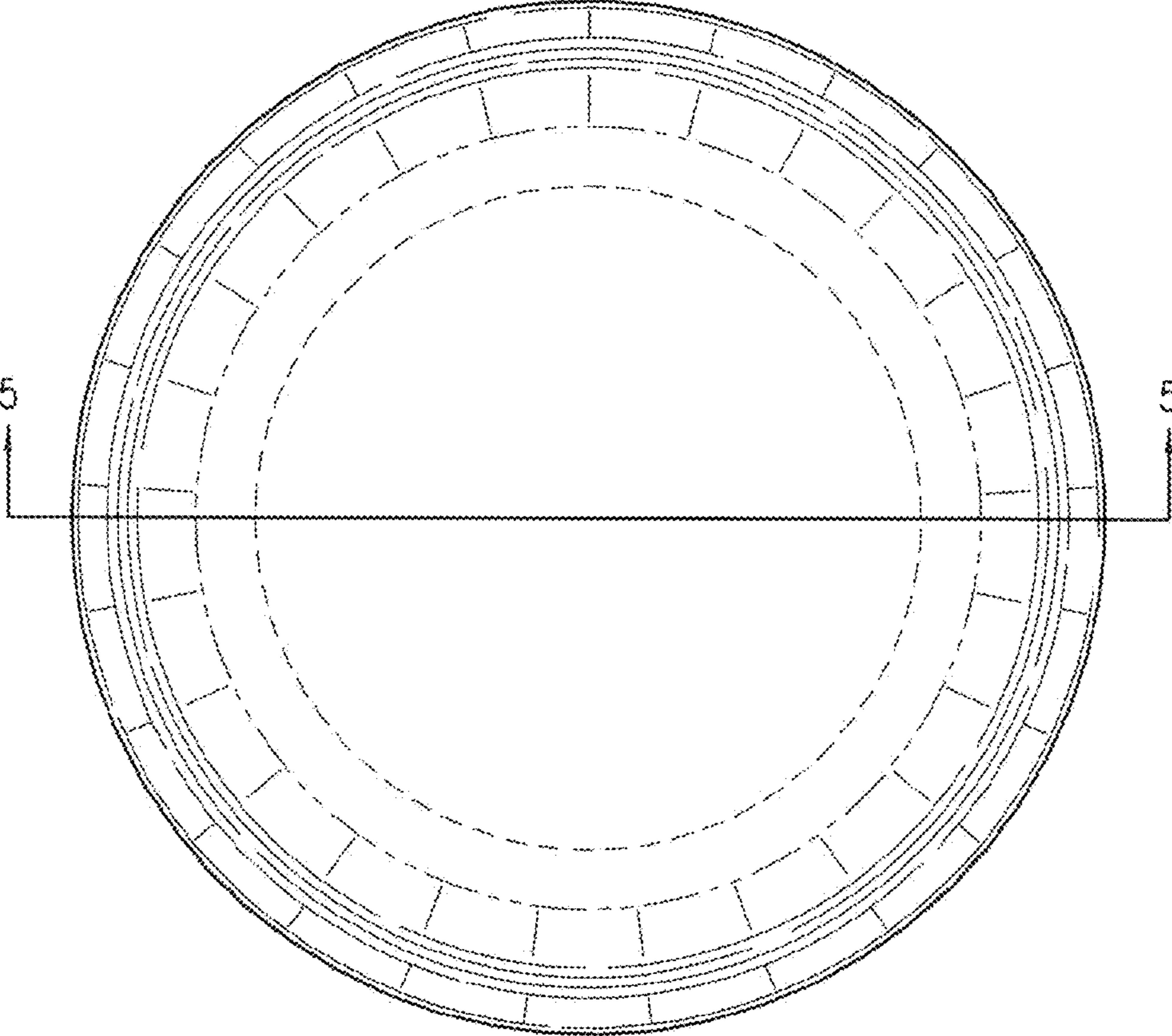


FIG. 2

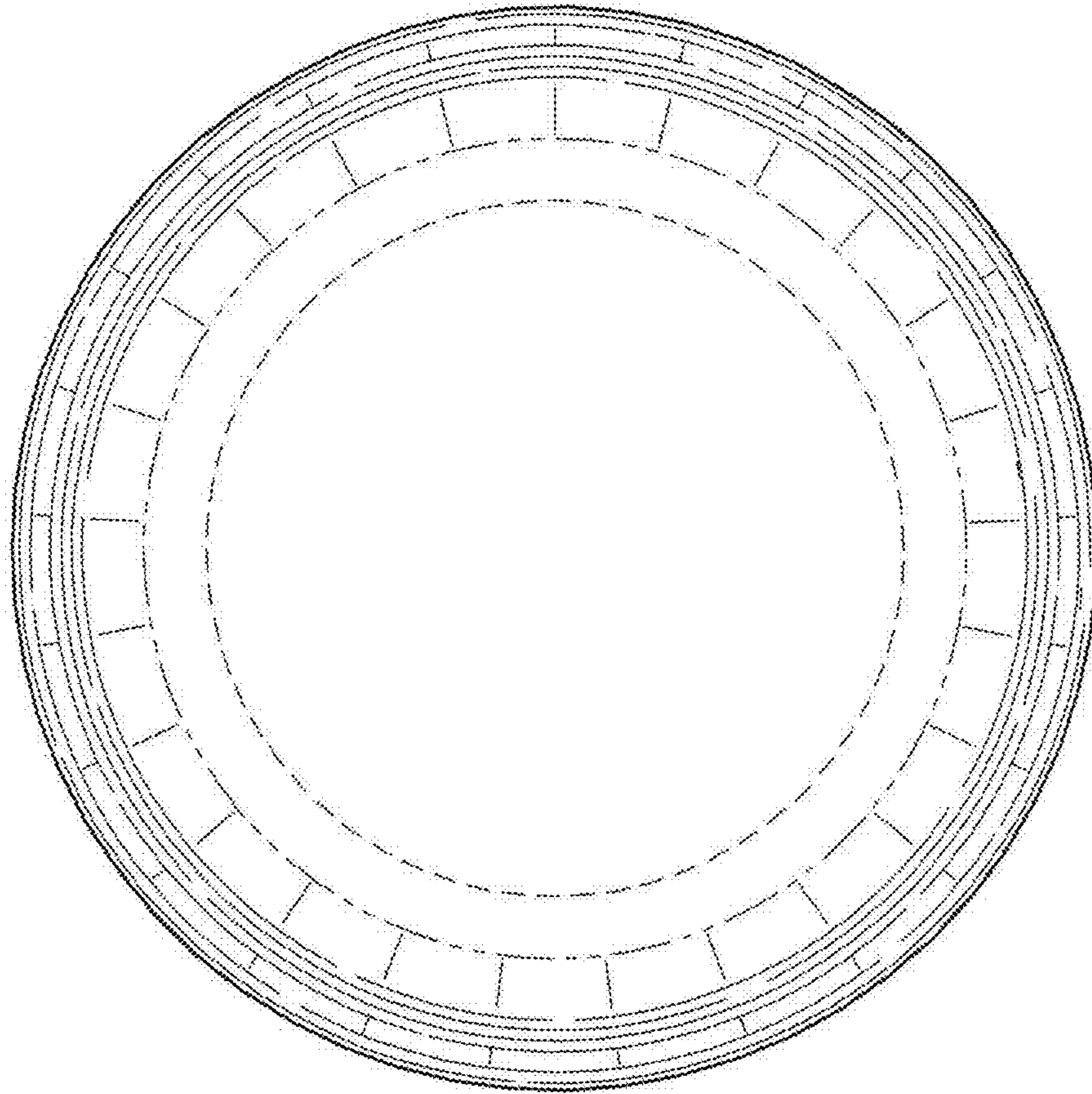


FIG. 3

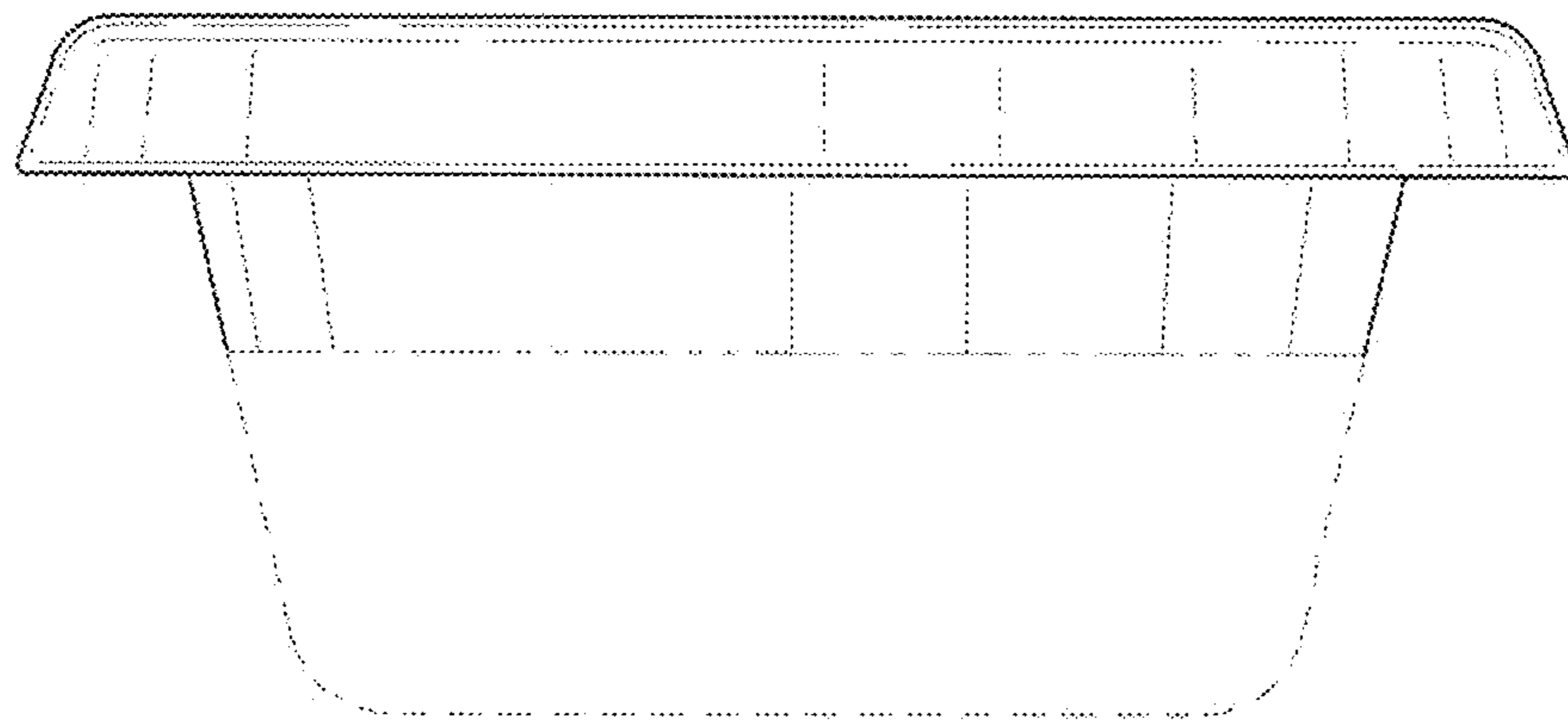


FIG. 4

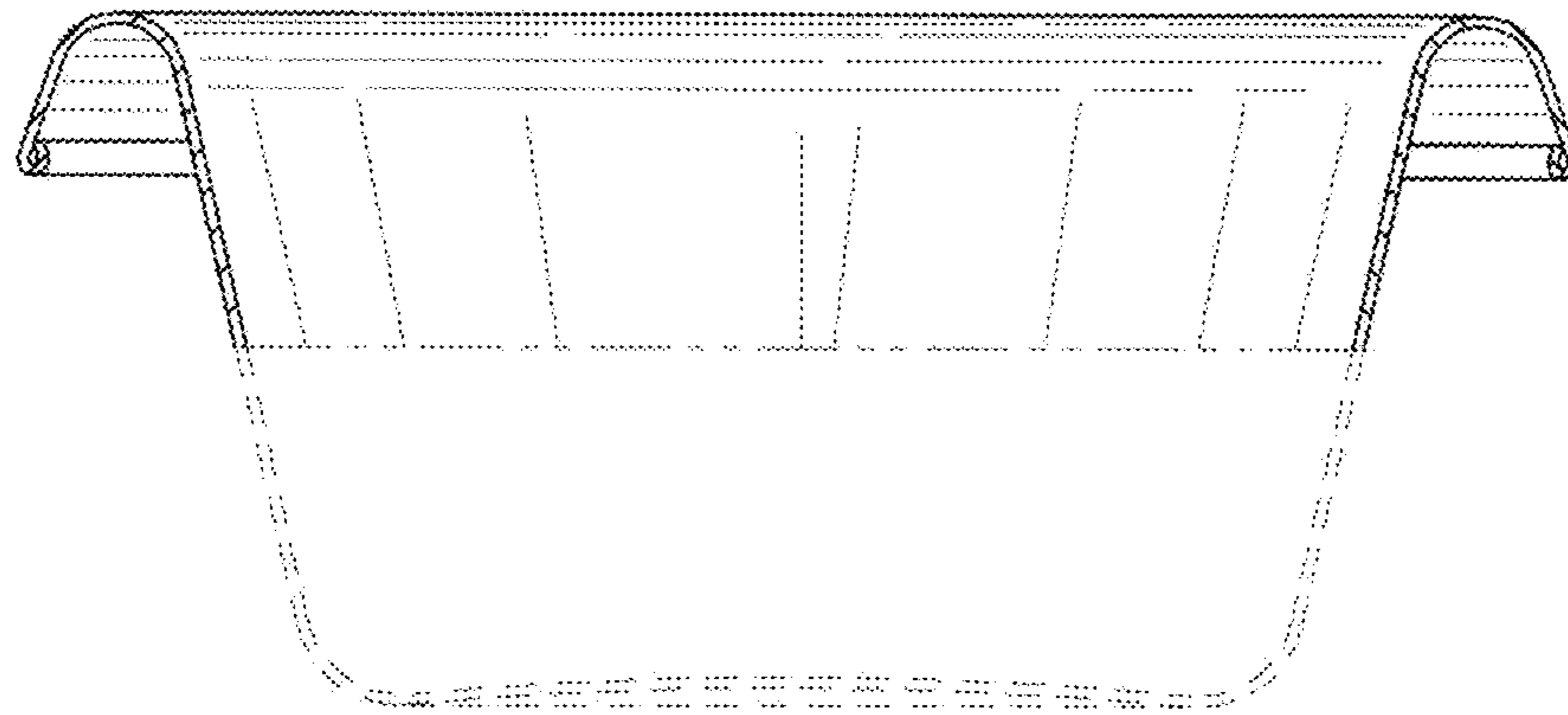


FIG. 5