



US00D752972S

(12) **United States Design Patent**  
**Goldstein et al.**

(10) **Patent No.:** **US D752,972 S**  
(45) **Date of Patent:** **\*\* Apr. 5, 2016**

(54) **SINGLE SERVING CUP**

(71) Applicants: **David Goldstein**, Briarcliff Manor, NY (US); **Shay Zohar**, Elmsford, NY (US)

(72) Inventors: **David Goldstein**, Briarcliff Manor, NY (US); **Shay Zohar**, Elmsford, NY (US)

(73) Assignee: **Barrie House Coffee Co., Inc.**, Elmsford, NY (US)

(\*\*) Term: **14 Years**

(21) Appl. No.: **29/525,883**

(22) Filed: **May 4, 2015**

(51) **LOC (10) Cl.** ..... **09-03**

(52) **U.S. Cl.**  
USPC ..... **D9/429**

(58) **Field of Classification Search**  
USPC ..... D9/414, 416, 418, 424, 425, 427-429, D9/434, 435, 438, 440, 453, 454, 456, D9/500-505, 529-531, 538; D7/601, 602, D7/619, 619.1, 629, 378, 397, 399, 400, D7/412-415, 584, 603, 538-549, 555-559, D7/672, 677, 675; D11/152, 153; D3/202; 229/400-406, 932; 220/656-659, 220/669-675, 912, 306, 307, 337, 339, 220/342; 206/553, 557, 541, 775, 776; 99/295; 210/426; 426/77, 80, 86, 115, 426/141  
CPC ..... B65D 3/06; B65D 2543/00092; B65D 2543/00296; B65D 2543/00351; B65D 2543/00731; B65D 2543/00796; B65D 47/0847; B65D 85/8043; A23F 3/18; A23F 5/262; A47J 31/407; A47J 31/3676; A47J 31/3623; A47J 31/22; A47J 31/0689

See application file for complete search history.

(56) **References Cited**

U.S. PATENT DOCUMENTS

1,117,848	A *	11/1914	House .....	B65D 3/06 229/104
1,229,751	A *	6/1917	House .....	B65D 3/06 123/73 C
D75,303	S *	5/1928	Von Elm .....	D7/677
D198,721	S *	7/1964	Eicholtz .....	D9/429
D202,507	S *	10/1965	Shelby .....	215/10
3,215,325	A *	11/1965	Shappell .....	B65D 3/12 229/400
D221,625	S *	8/1971	Kinney .....	D9/428
D235,909	S *	7/1975	Insalaco .....	D11/152
D241,228	S *	8/1976	Boduck .....	D7/523
D248,358	S *	7/1978	Thomas .....	D7/531

(Continued)

OTHER PUBLICATIONS

HIC Ribbed Custard Cup, available Jan. 18, 2012, [online], [site visited Dec. 11, 2015]. Available from internet, <URL: <http://www.amazon.com/HIC-5-ounce-Porcelain-Ribbed-Custard/dp/B0006BB2KA>>.\*

(Continued)

*Primary Examiner* — Cathron Brooks  
*Assistant Examiner* — Teddy Falloway

(74) *Attorney, Agent, or Firm* — Peter D. Aufrichtig; McCarthy Fingar LLP

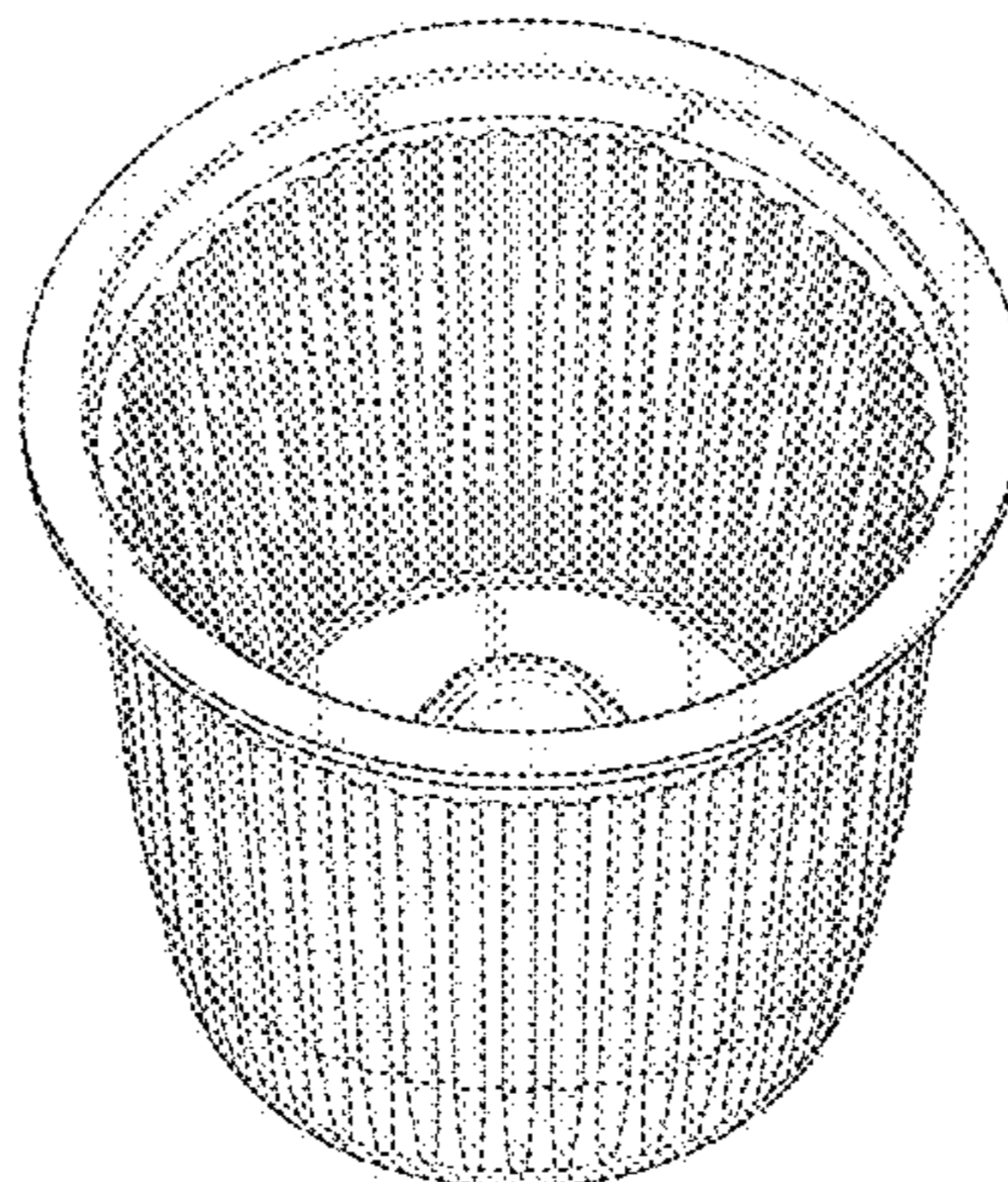
(57) **CLAIM**

The ornamental design for single serving cup, as shown and described.

**DESCRIPTION**

FIG. 1 is a perspective view of the design of a single serving cup in accordance with the invention;  
FIG. 2 is a side elevational view of the design of the single serving cup shown in FIG. 1;  
FIG. 3 is a top elevational view of the design of the single serving cup shown in FIG. 1;  
FIG. 4 is a bottom elevational view of the design of the single serving cup shown in FIG. 1; and,  
FIG. 5 is a cross-sectional view of the design of the single serving cup shown in FIG. 1 taken along line 5-5 of FIG. 2.

**1 Claim, 5 Drawing Sheets**



(56)

References Cited

U.S. PATENT DOCUMENTS

D248,916 S \* 8/1978 Reynolds ..... 229/400  
 D250,397 S \* 11/1978 Christian ..... D9/778  
 D250,929 S \* 1/1979 Gerstman ..... D7/565  
 D256,762 S \* 9/1980 Scott ..... D7/360  
 D265,462 S \* 7/1982 Andrulionis ..... D9/429  
 D325,181 S \* 4/1992 Lee ..... D11/152  
 D367,996 S \* 3/1996 Rausch ..... D7/602  
 6,053,352 A \* 4/2000 Cai ..... A47G 23/0216  
 220/671  
 D426,427 S \* 6/2000 Rubbright ..... D7/565  
 D427,070 S \* 6/2000 Brozell ..... D9/453  
 D438,794 S \* 3/2001 Miles ..... D9/425  
 D442,090 S \* 5/2001 Jackson ..... D9/453  
 D474,110 S \* 5/2003 Sweeney ..... D9/425  
 D515,970 S \* 2/2006 Hensen ..... D11/153  
 D519,030 S \* 4/2006 Matsuda ..... D9/453  
 D519,831 S \* 5/2006 de Cleir ..... D9/428  
 D546,672 S \* 7/2007 Chou ..... D9/429  
 D564,355 S \* 3/2008 Berman ..... D9/453  
 D570,650 S \* 6/2008 Vovan ..... D7/629  
 D573,060 S \* 7/2008 White ..... D11/152  
 7,699,216 B2 \* 4/2010 Smith ..... B65D 81/3874  
 206/515  
 D638,290 S \* 5/2011 Cimmerer ..... D9/429  
 D652,266 S \* 1/2012 Smyers ..... D7/630  
 D674,275 S \* 1/2013 Bouveret ..... D9/428  
 D681,448 S \* 5/2013 O'Malley ..... D9/429  
 D684,044 S \* 6/2013 Stowe ..... D9/424

D684,459 S \* 6/2013 Stowe ..... D9/428  
 D684,856 S \* 6/2013 Hodge ..... D9/429  
 D697,797 S \* 1/2014 Hansen ..... D9/429  
 D710,686 S \* 8/2014 Gowens ..... D9/429  
 D725,438 S \* 3/2015 Panone ..... D7/602  
 D734,206 S \* 7/2015 Thuma ..... D11/153  
 D743,786 S \* 11/2015 Hansen ..... D9/429  
 2012/0012647 A1 \* 1/2012 Almabekov ..... B65D 81/3876  
 229/400  
 2013/0340626 A1 \* 12/2013 Oh ..... B65D 85/8043  
 99/295  
 2015/0083791 A1 \* 3/2015 Gonzalez ..... B65D 81/3874  
 229/403

OTHER PUBLICATIONS

Barrie House Single Cups, available Jan. 12, 2015, [online], [site visited Dec. 11, 2015]. Available from internet, <URL: <http://www.singleservecoffee.com/archives/046719.php>>.\*  
 The Barrie House Taste (Youtube), available Aug. 14, 2014, [online], [site visited Dec. 11, 2015]. Video available from internet, <URL: <https://www.youtube.com/watch?v=nij3P9Ojv-0>>.\*  
 Barrie House Blend Single Cup, available Jan. 4, 2014, [online], [site visited Dec. 11, 2015]. Video available from internet, <URL: [http://www.amazon.com/Barrie-House-Single-Capsule-Capsules/dp/B00GDLUK9Q/ref=sr\\_1\\_cc\\_3?s=aps&ie=UTF8&qid=1449838357&sr=1-3-catcorr&keywords=barrie+house+blend+extra](http://www.amazon.com/Barrie-House-Single-Capsule-Capsules/dp/B00GDLUK9Q/ref=sr_1_cc_3?s=aps&ie=UTF8&qid=1449838357&sr=1-3-catcorr&keywords=barrie+house+blend+extra)>.\*

\* cited by examiner

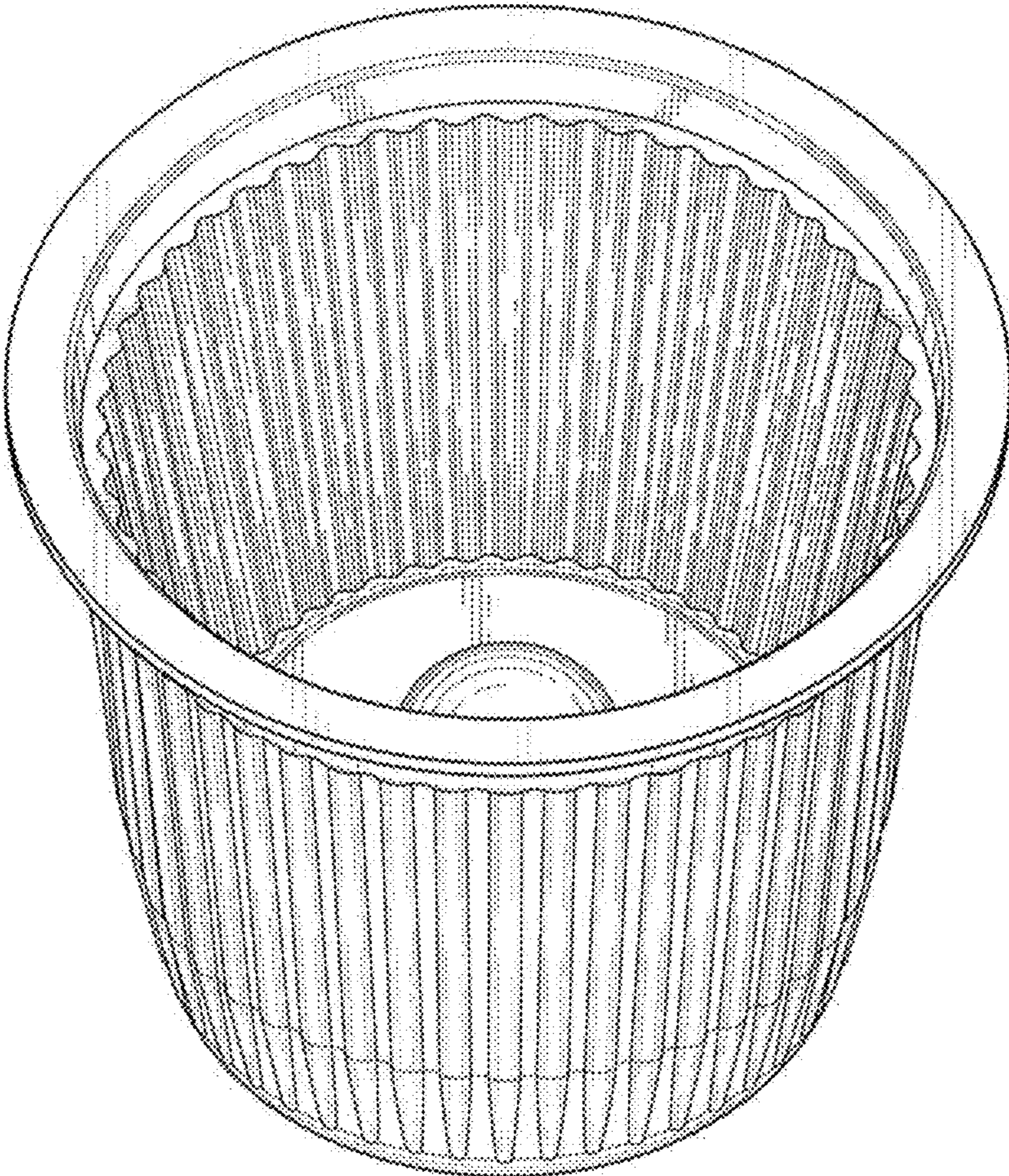


FIG. 1

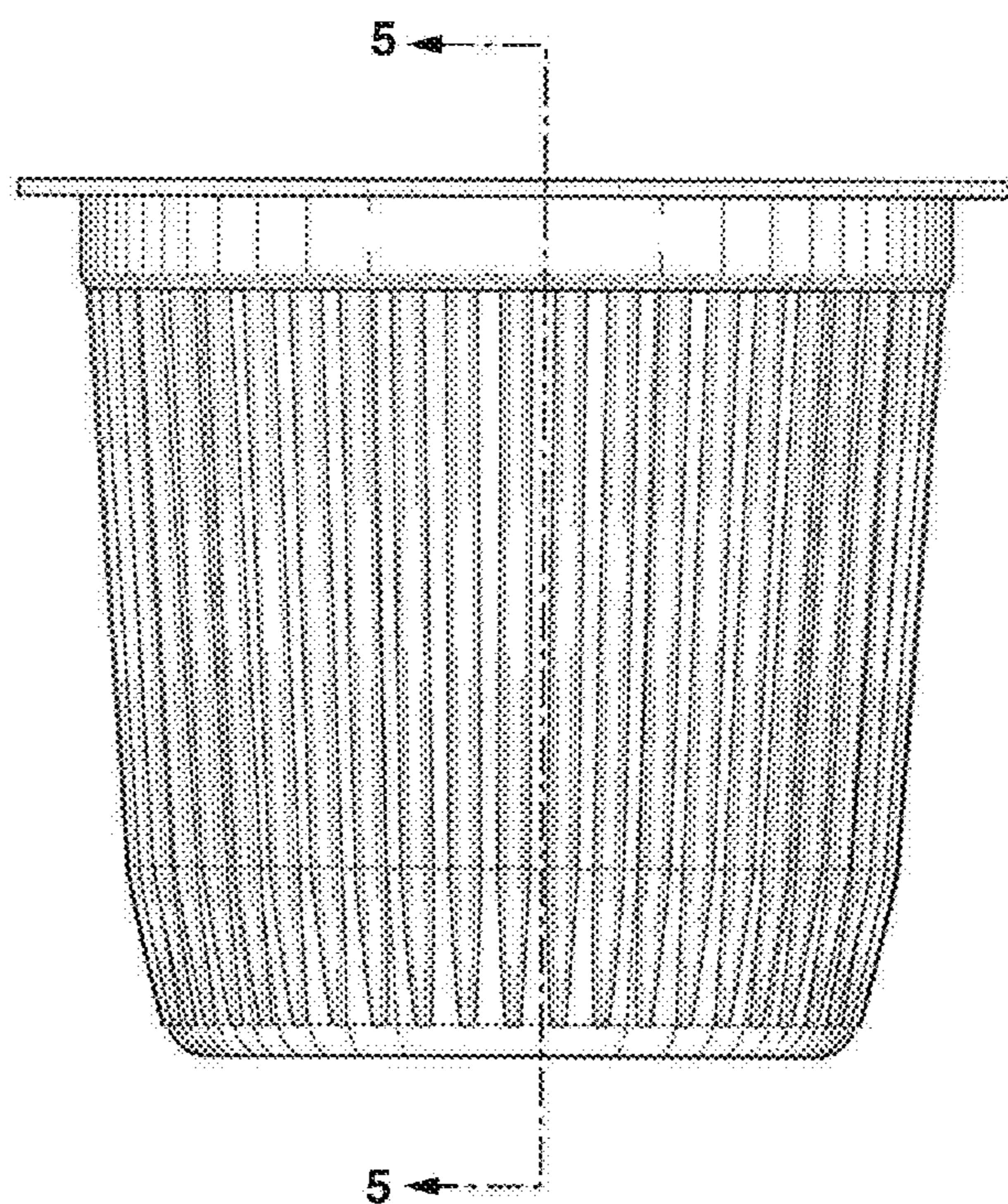


FIG. 2

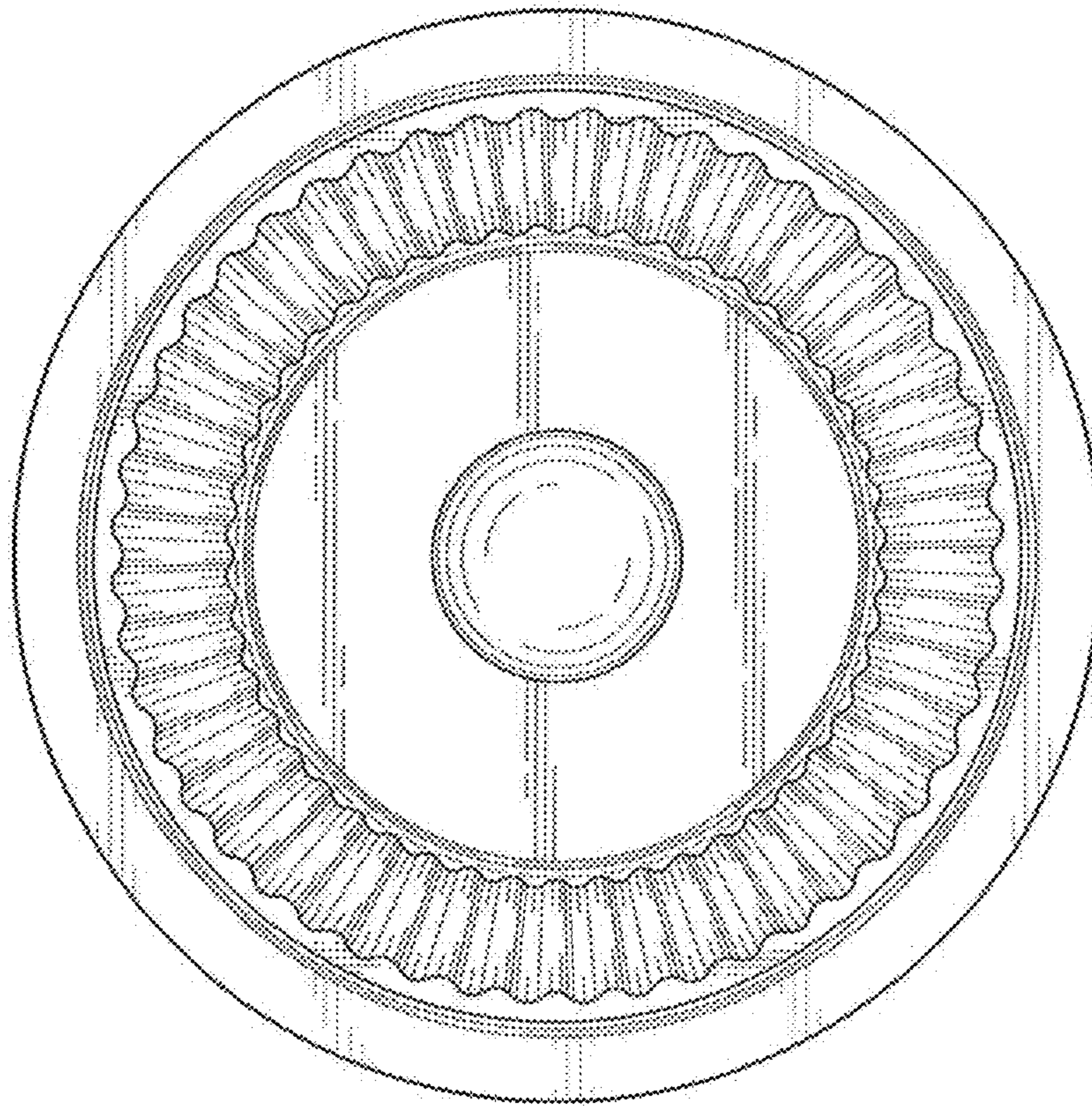


FIG. 3

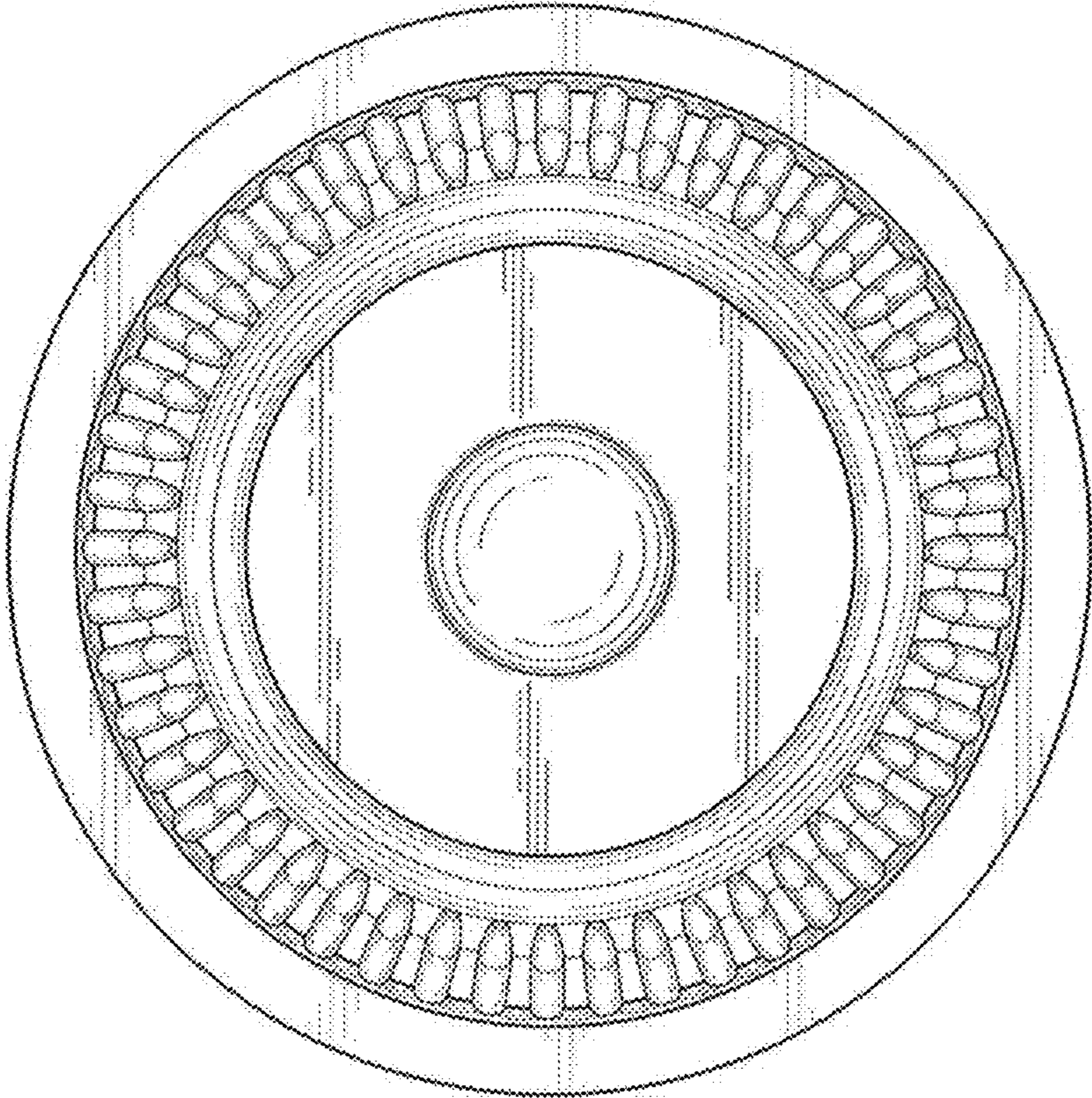


FIG. 4

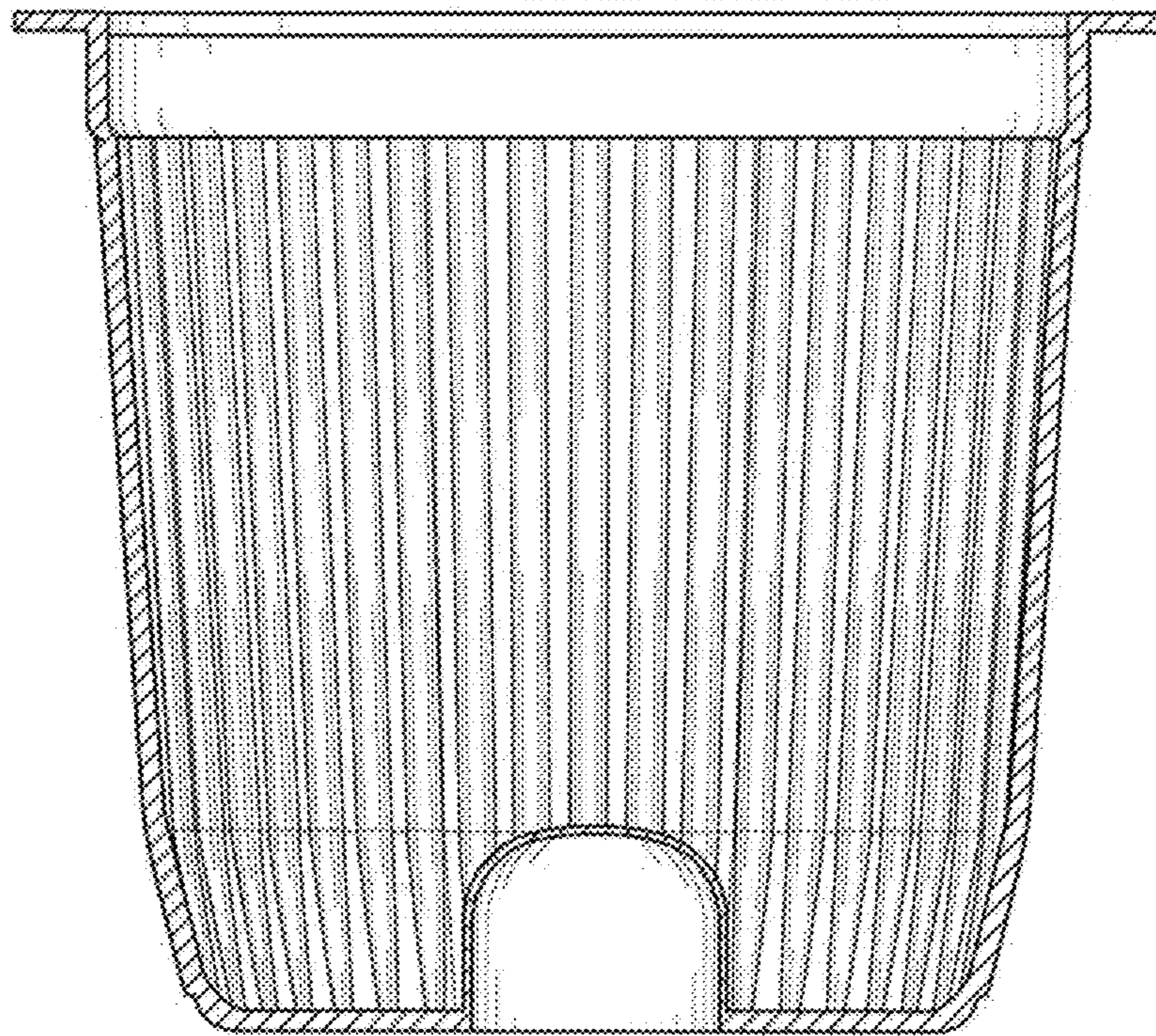


FIG. 5