

US00D752969S

(12) **United States Design Patent**  
LV

(10) **Patent No.:** US D752,969 S

(45) **Date of Patent:** \*\* Apr. 5, 2016

(54) **DISPLAY CONTAINER (FOR TRAVEL GOODS)**

(71) Applicant: **HANGZHOU GEMA SUITCASES & BAGS CO., LTD.**, Zhejiang Province (CN)

(72) Inventor: **Qiang LV**, Zhejiang Province (CN)

(\*\*) Term: **14 Years**

(21) Appl. No.: **29/504,466**

(22) Filed: **Oct. 6, 2014**

(30) **Foreign Application Priority Data**

Aug. 1, 2014 (CN) ..... 2014 3 0267338

(51) **LOC (10) Cl.** ..... **09-03**

(52) **U.S. Cl.**  
USPC ..... **D9/415**

(58) **Field of Classification Search**  
USPC ..... D9/414-418, 711, 431, 722, 420;  
206/470  
CPC ..... B65D 75/366; B65D 75/305  
See application file for complete search history.

(56) **References Cited**

U.S. PATENT DOCUMENTS

D327,013 S *	6/1992	Reighart	.....	D9/415
D357,626 S *	4/1995	Snow et al.	.....	D9/415
D406,756 S *	3/1999	Garganese	.....	D9/418
D462,262 S *	9/2002	Leja	.....	D9/415
7,258,233 B2 *	8/2007	Lee	.....	206/470
D552,486 S *	10/2007	Herring et al.	.....	D9/711
D573,457 S *	7/2008	Park	.....	D9/415
D575,146 S *	8/2008	Lee	.....	D9/415
D658,494 S *	5/2012	Raimer et al.	.....	D9/431
D671,827 S *	12/2012	Raimer et al.	.....	D9/415

8,434,621 B2 *	5/2013	Hun et al.	.....	206/471
D685,260 S *	7/2013	Thielemier	.....	D9/415
D686,912 S *	7/2013	Ehde et al.	.....	D9/415
D695,632 S *	12/2013	Akana et al.	.....	D9/722
D697,790 S *	1/2014	Iwegbu	.....	D9/420
D700,524 S *	3/2014	Ferriter	.....	D9/711
D704,074 S *	5/2014	Tsai et al.	.....	D9/722
D709,362 S *	7/2014	Kim	.....	D9/415
D711,217 S *	8/2014	Jacobs et al.	.....	D9/414
D711,218 S *	8/2014	Jacobs et al.	.....	D9/414
D711,734 S *	8/2014	Kim et al.	.....	D9/415
D714,659 S *	10/2014	Akana et al.	.....	D9/722
D715,142 S *	10/2014	Allen et al.	.....	D9/434
D717,160 S *	11/2014	Kurniawan et al.	.....	D9/415
D731,301 S *	6/2015	Recht et al.	.....	D9/415

\* cited by examiner

*Primary Examiner* — Holly Baynham

*Assistant Examiner* — Rhea Shields

(74) *Attorney, Agent, or Firm* — Prakash Nama; Global IP Services, PLLC

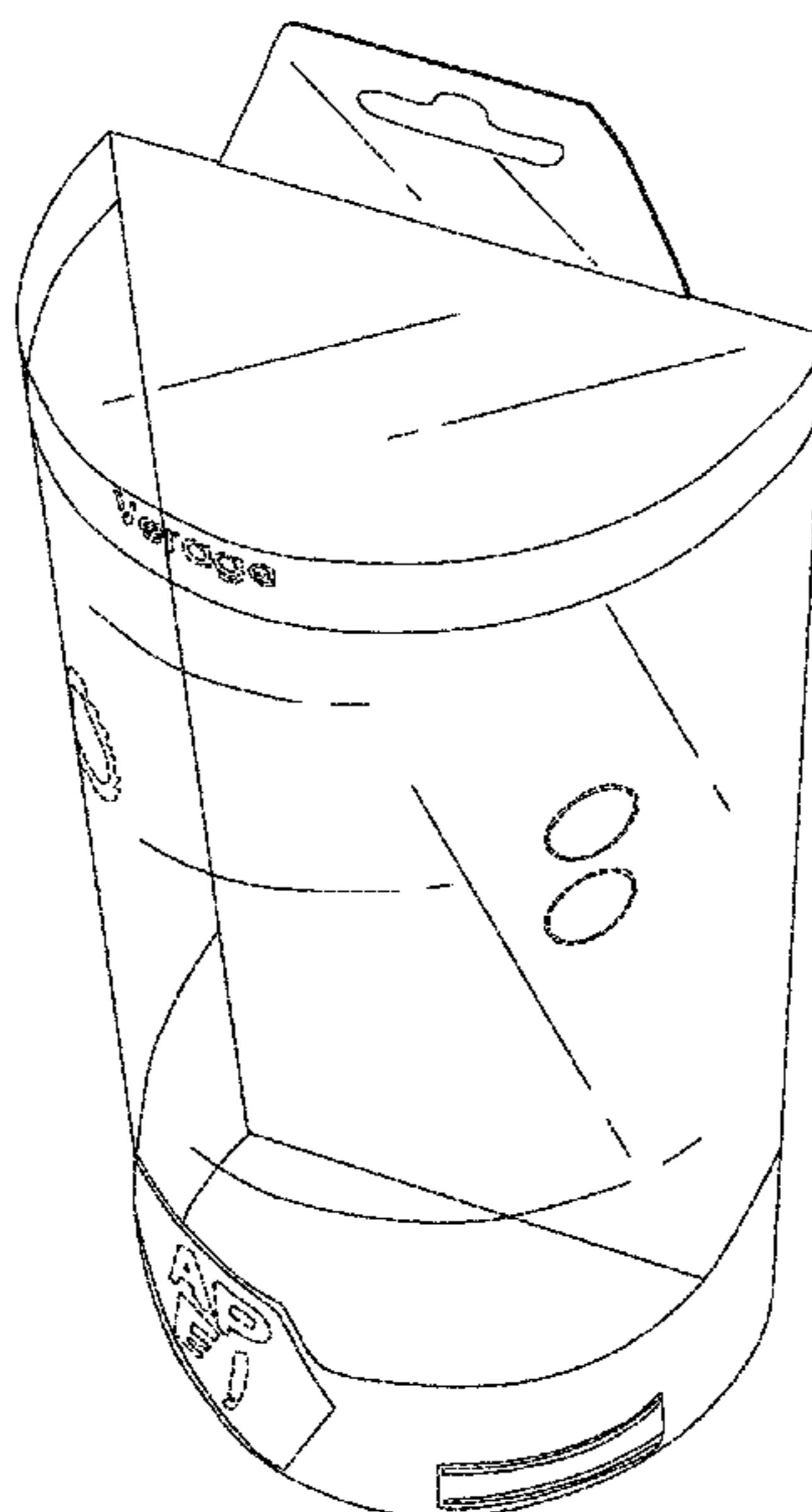
(57) **CLAIM**

The ornamental design for a display container (for travel goods), as shown and described.

**DESCRIPTION**

FIG. 1 is a front elevational view of a display container (for travel goods) showing my new design; FIG. 2 is a rear elevational view thereof; FIG. 3 is a left side view thereof; FIG. 4 is a right side view thereof; FIG. 5 is a top plan view thereof; FIG. 6 is a bottom plan view thereof; and, FIG. 7 is a perspective view thereof. In the drawings, the broken lines are for the purpose of illustrating environment only and form no part of the claimed design.

**1 Claim, 5 Drawing Sheets**



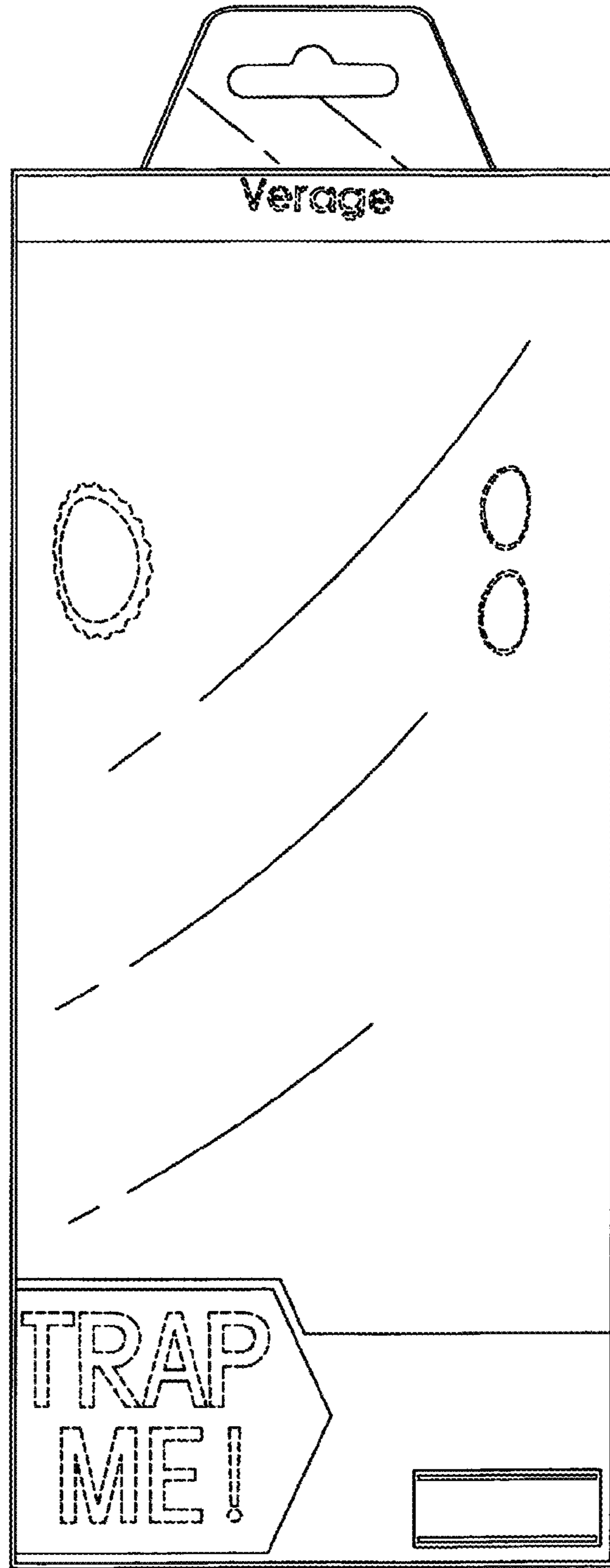


FIG. 1

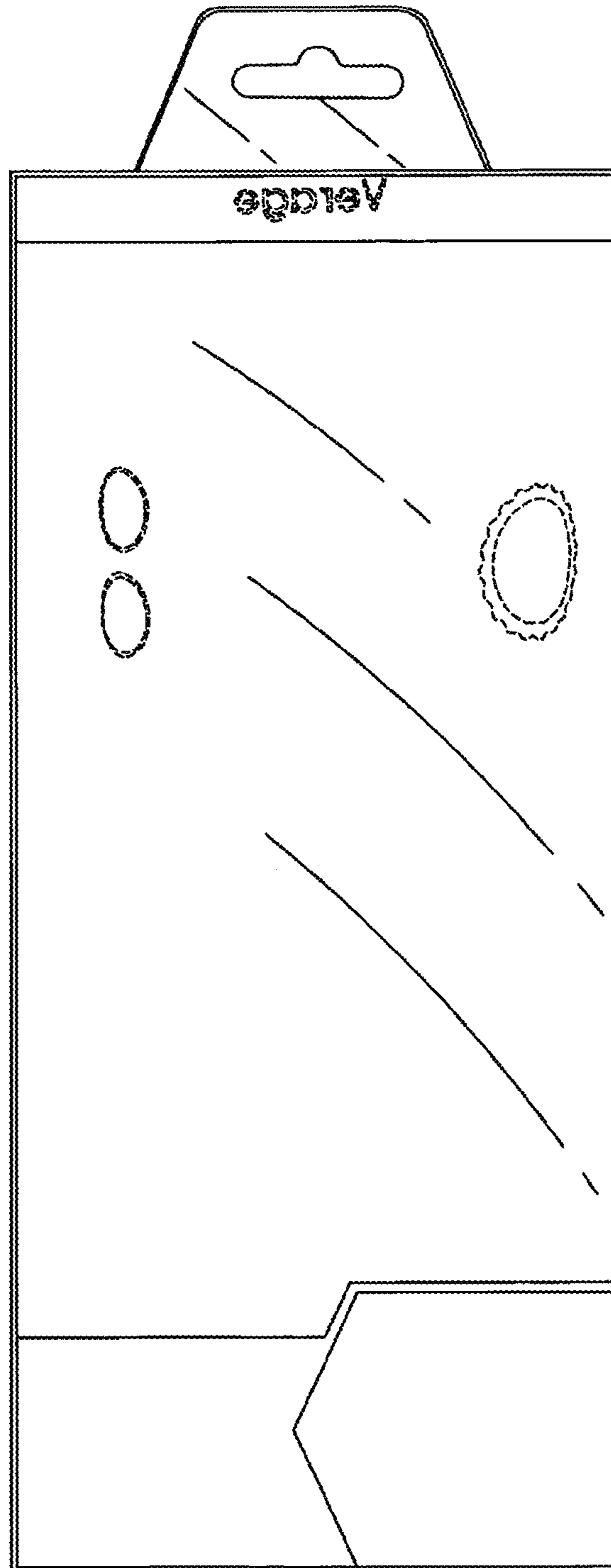


FIG. 2

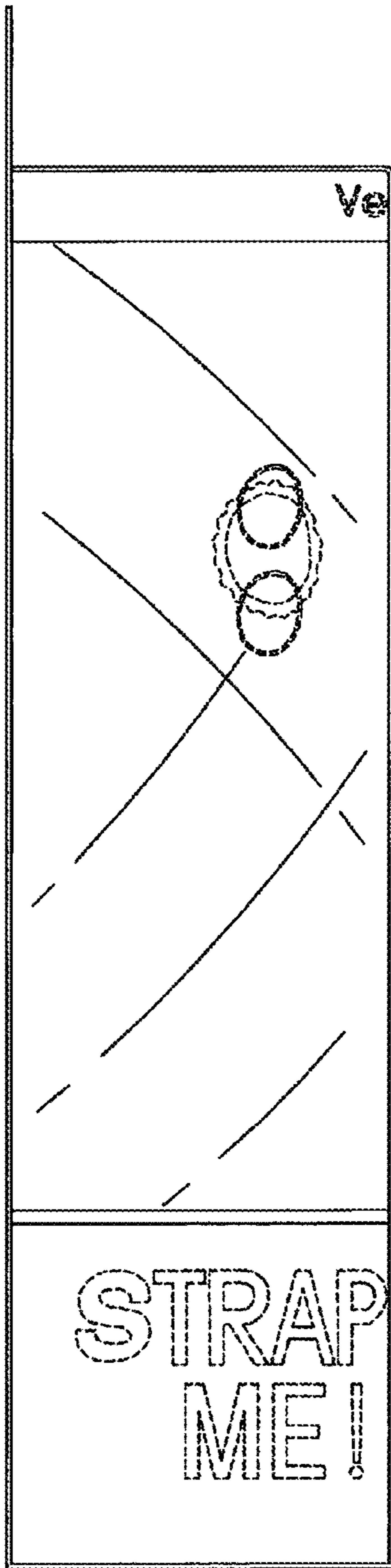


FIG. 3

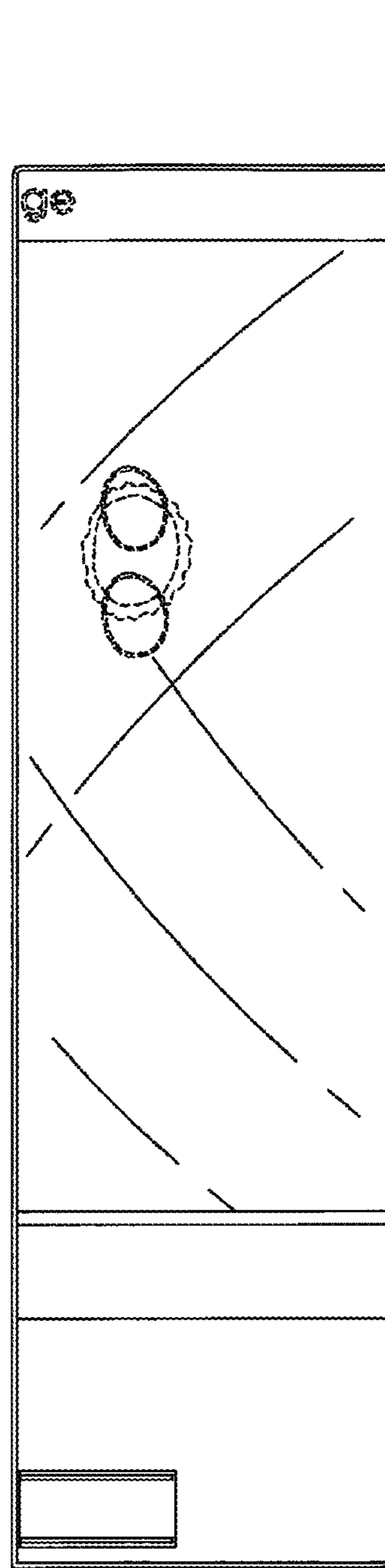


FIG. 4

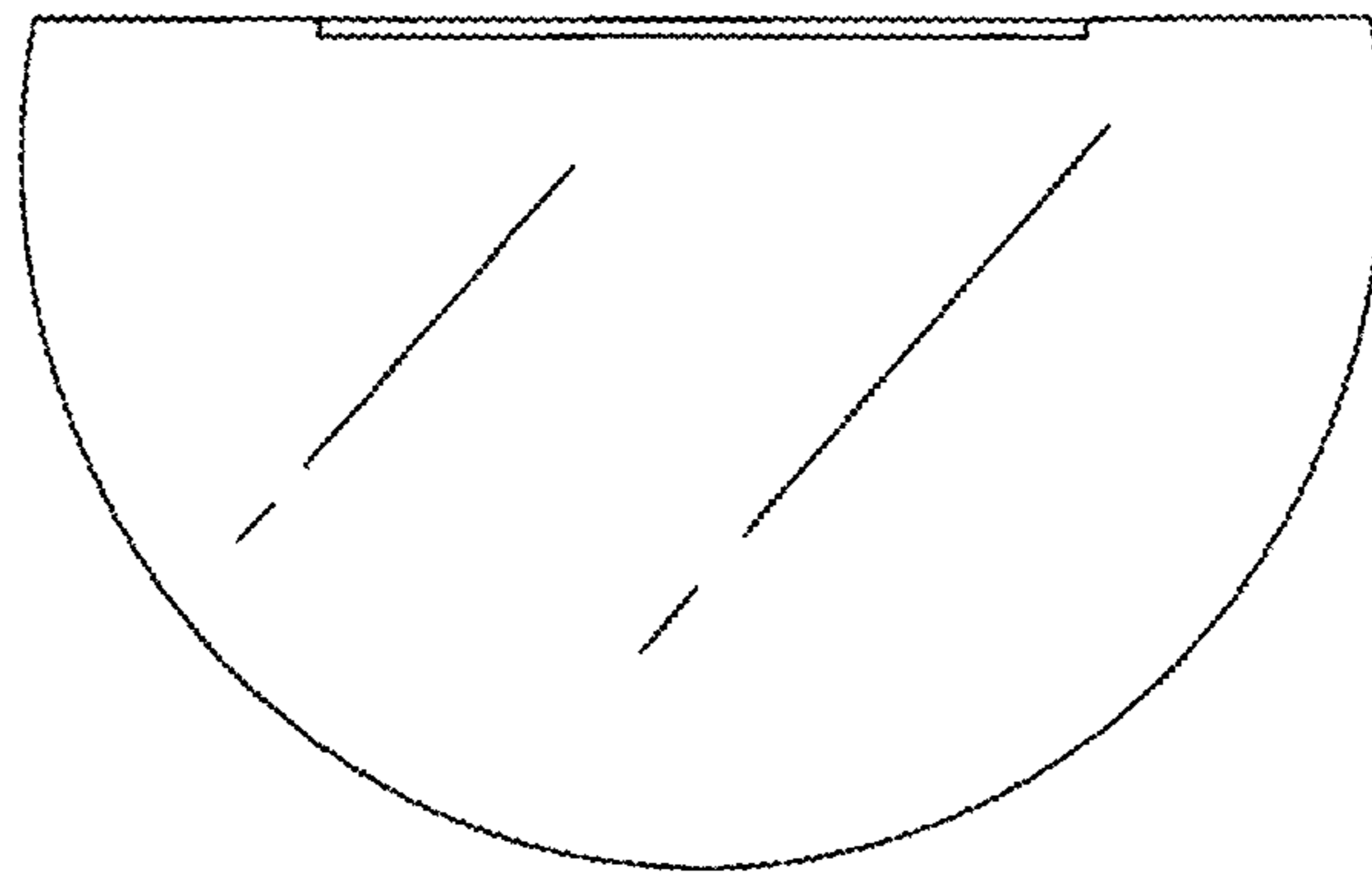


FIG. 5

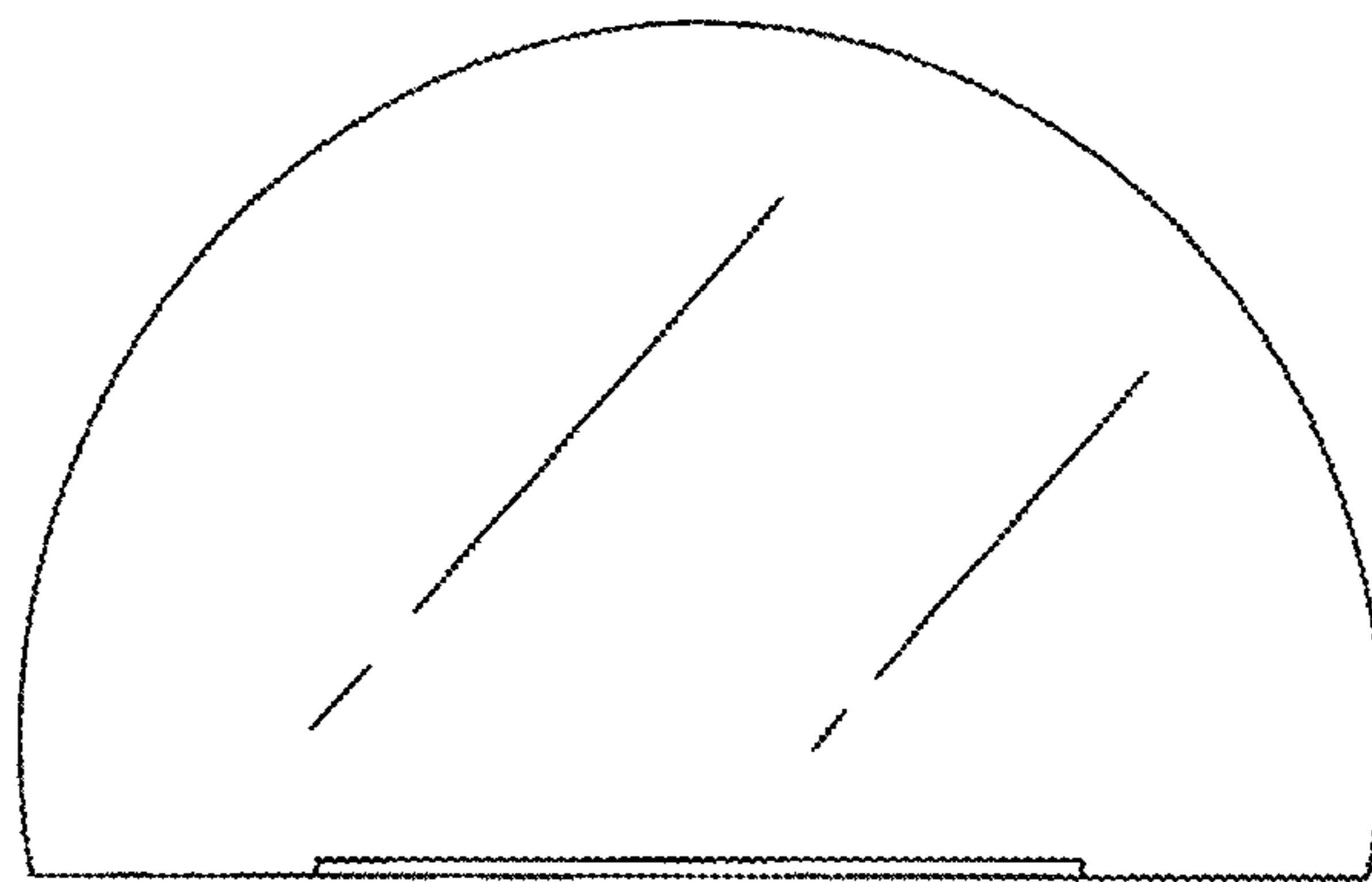


FIG. 6

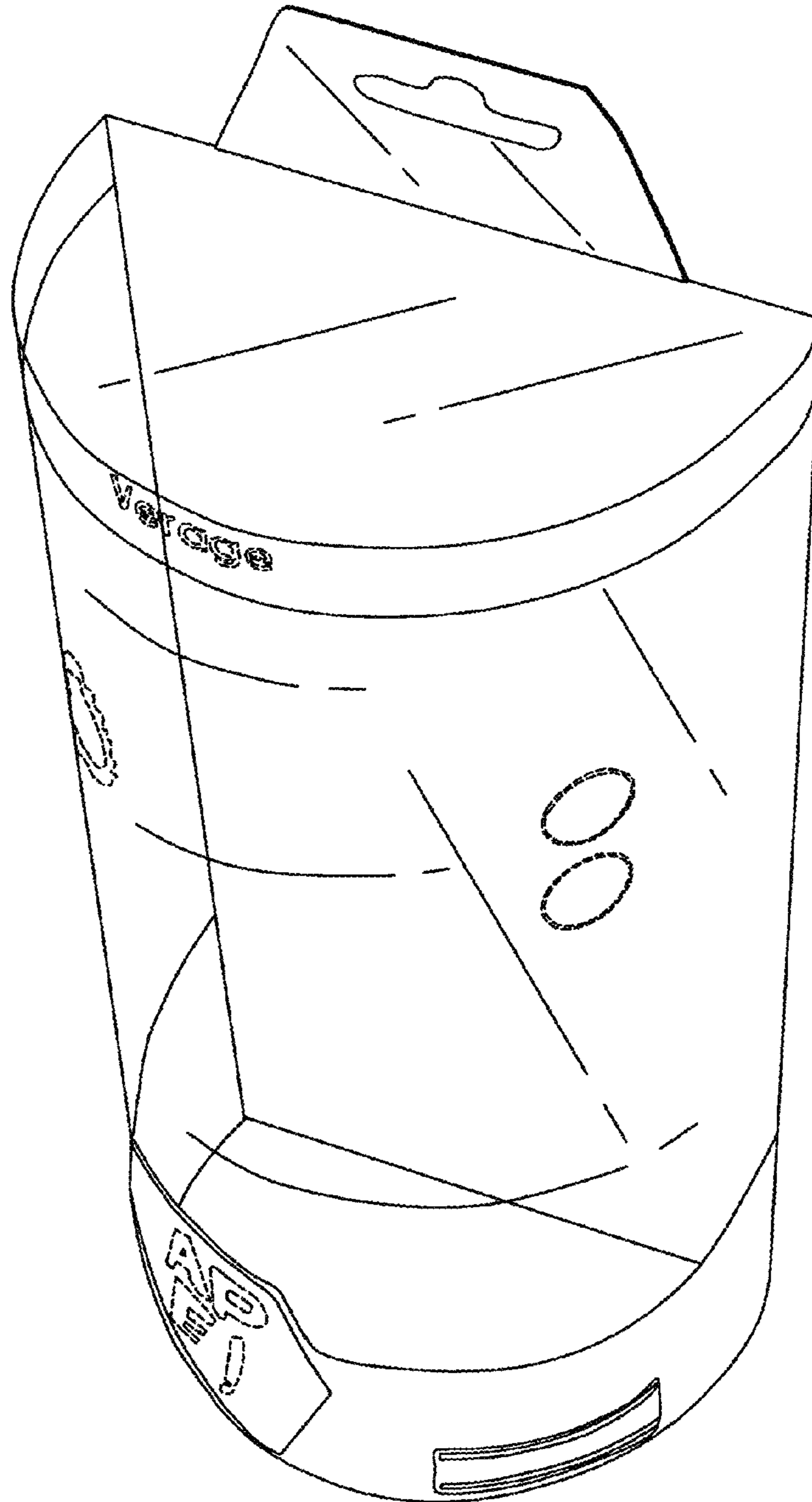


FIG. 7