



US00D752965S

(12) **United States Design Patent**
Blaney

(10) **Patent No.:** **US D752,965 S**

(45) **Date of Patent:** **** Apr. 5, 2016**

- (54) **TETHERED CLIP**
- (71) Applicant: **Michael Blaney**, Rotonda, FL (US)
- (72) Inventor: **Michael Blaney**, Rotonda, FL (US)
- (**) Term: **14 Years**
- (21) Appl. No.: **29/441,700**
- (22) Filed: **Jan. 9, 2013**
- (51) **LOC (10) Cl.** **08-08**
- (52) **U.S. Cl.**
USPC **D8/394**
- (58) **Field of Classification Search**
USPC D8/394, 395, 396; D32/61; D19/65, 86;
24/498, 499, 506, 508, 511, 517, 542,
24/543; 40/606.15, 606.16, 611.12
CPC A41F 1/00; A41F 11/02; A41F 15/02;
D06F 55/00; D06F 55/02; G09F 7/20; G09F
7/22
See application file for complete search history.

D667,724 S *	9/2012	Mangano	D8/395
D690,068 S *	9/2013	Gringer et al.	D32/54
D697,395 S *	1/2014	Adams	D8/395
D697,787 S *	1/2014	Garcia	D8/395
D704,541 S *	5/2014	Goodman et al.	D8/395
D706,616 S *	6/2014	Katz	D8/394
D707,546 S *	6/2014	Katz	D8/394
D708,938 S *	7/2014	Perlman	D8/395
D720,816 S *	1/2015	Nelson et al.	D21/453
D724,937 S *	3/2015	Zilisch	D8/398
D725,462 S *	3/2015	Zilisch	D8/398
2010/0088863 A1 *	4/2010	Moy	24/459

* cited by examiner

Primary Examiner — John Windmuller

Assistant Examiner — Steven Czyz

(74) *Attorney, Agent, or Firm* — Shumaker, Loop & Kendrick, LLP

(57) **CLAIM**

The ornamental design for a tethered clip, as shown and described.

DESCRIPTION

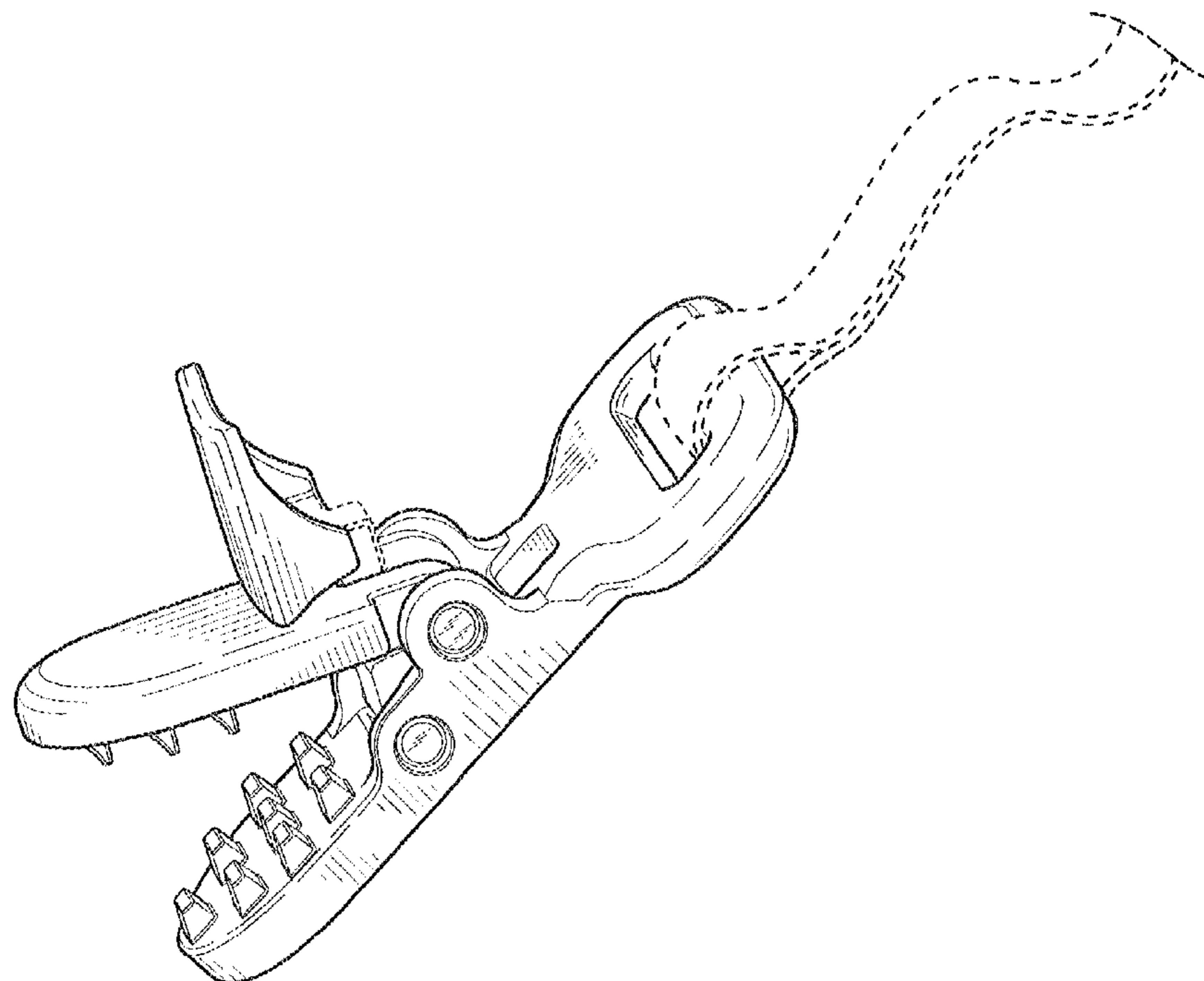
FIG. 1 is a side perspective view showing the new design.
 FIG. 2 is a side perspective view showing the new design.
 FIG. 3 is a front perspective view showing the new design.
 FIG. 4 is a rear perspective view showing the new design.
 FIG. 5 is a bottom perspective view showing the new design;
 and,
 FIG. 6 is a top perspective view showing the new design.
 The broken lines represent portions of the design that form no part of the claim.

1 Claim, 3 Drawing Sheets

(56) **References Cited**

U.S. PATENT DOCUMENTS

D249,128 S *	8/1978	Stookey	D10/74
4,979,703 A *	12/1990	Fleming	248/65
D314,502 S *	2/1991	Weldin	D8/373
D365,017 S *	12/1995	Rohrig	D8/394
D472,457 S *	4/2003	Fenton et al.	D8/394
D481,618 S *	11/2003	Felsenthal	D8/373
D512,906 S *	12/2005	Wood	D8/395
D552,461 S *	10/2007	Oas	D8/395



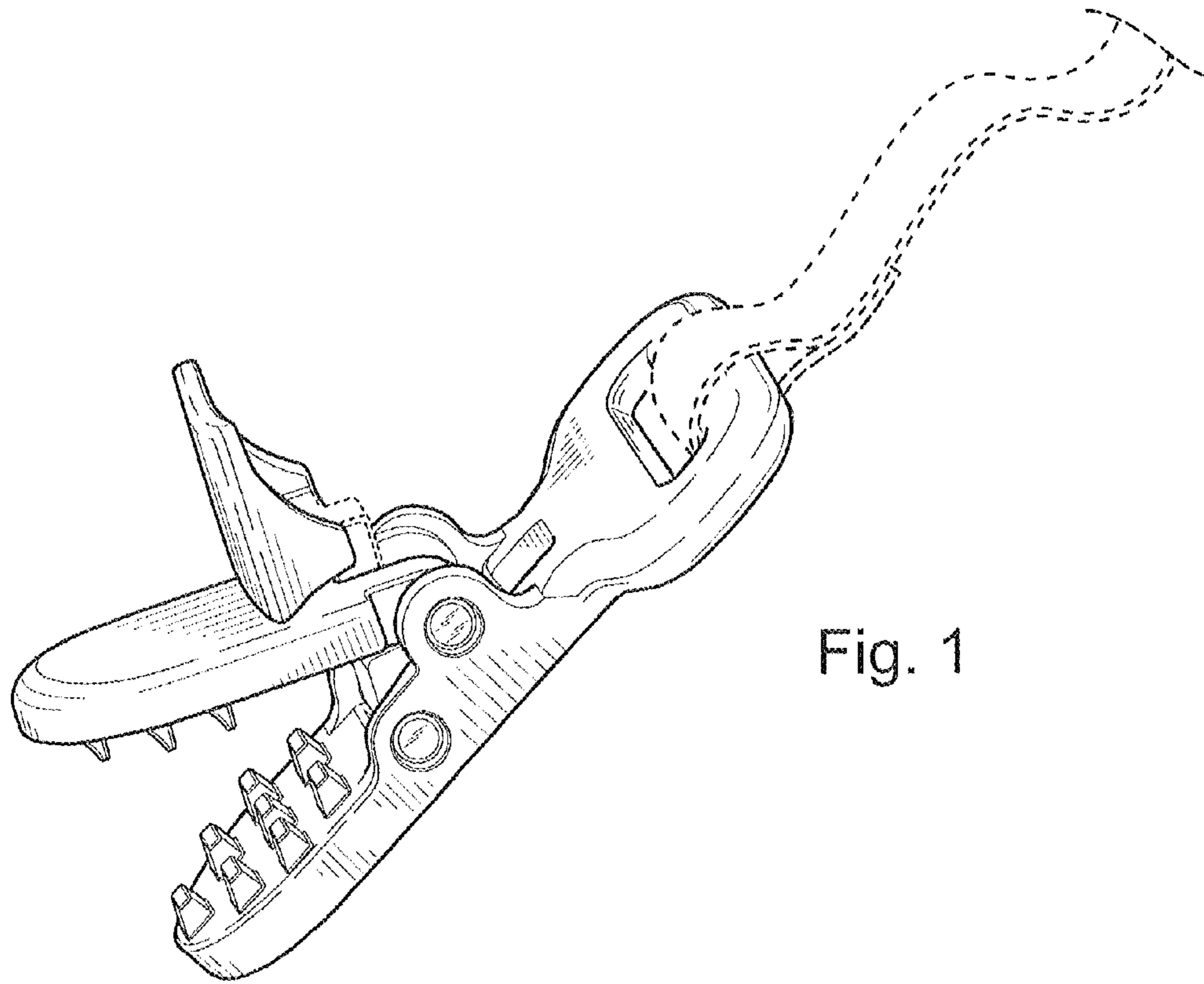


Fig. 1

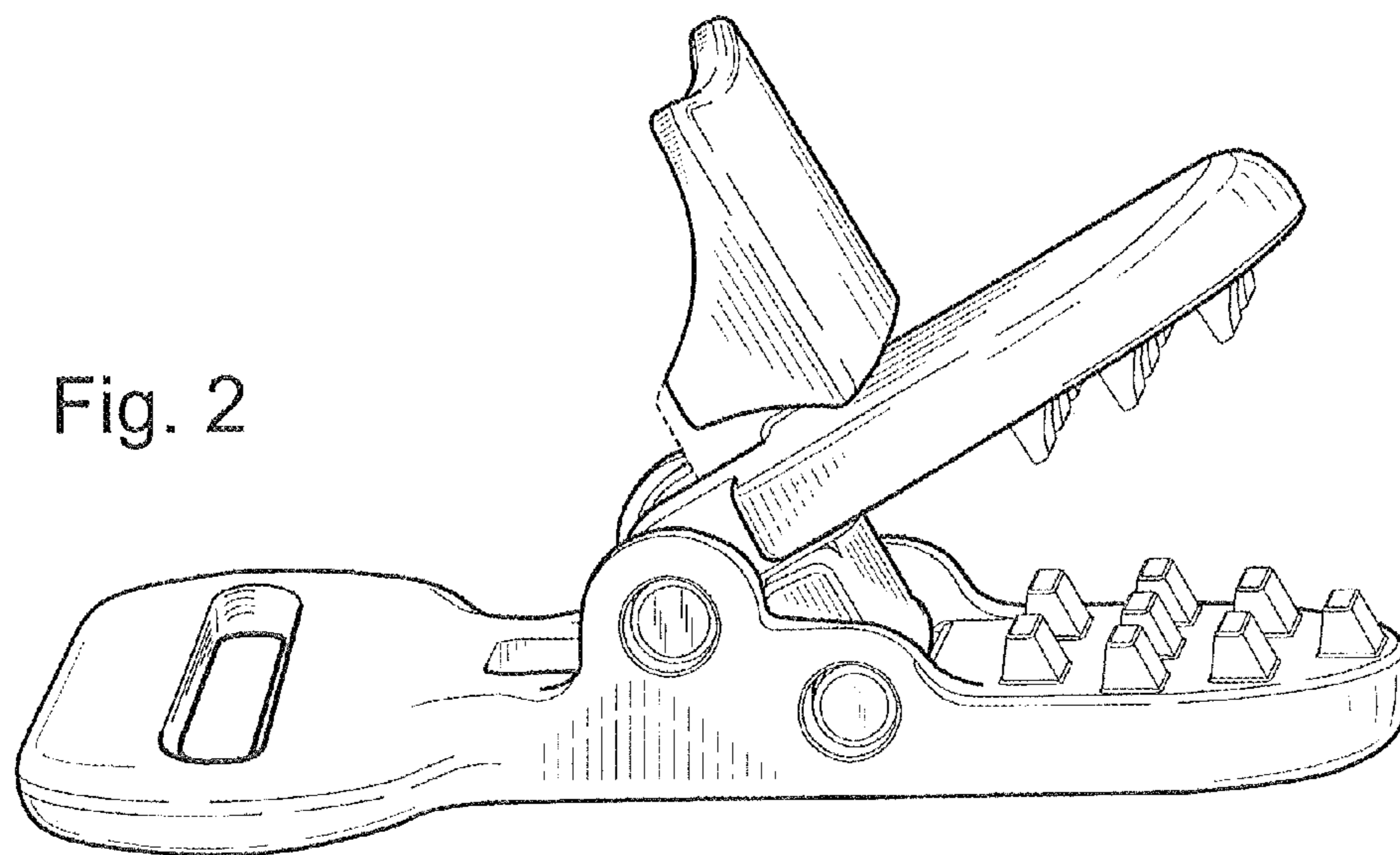


Fig. 2

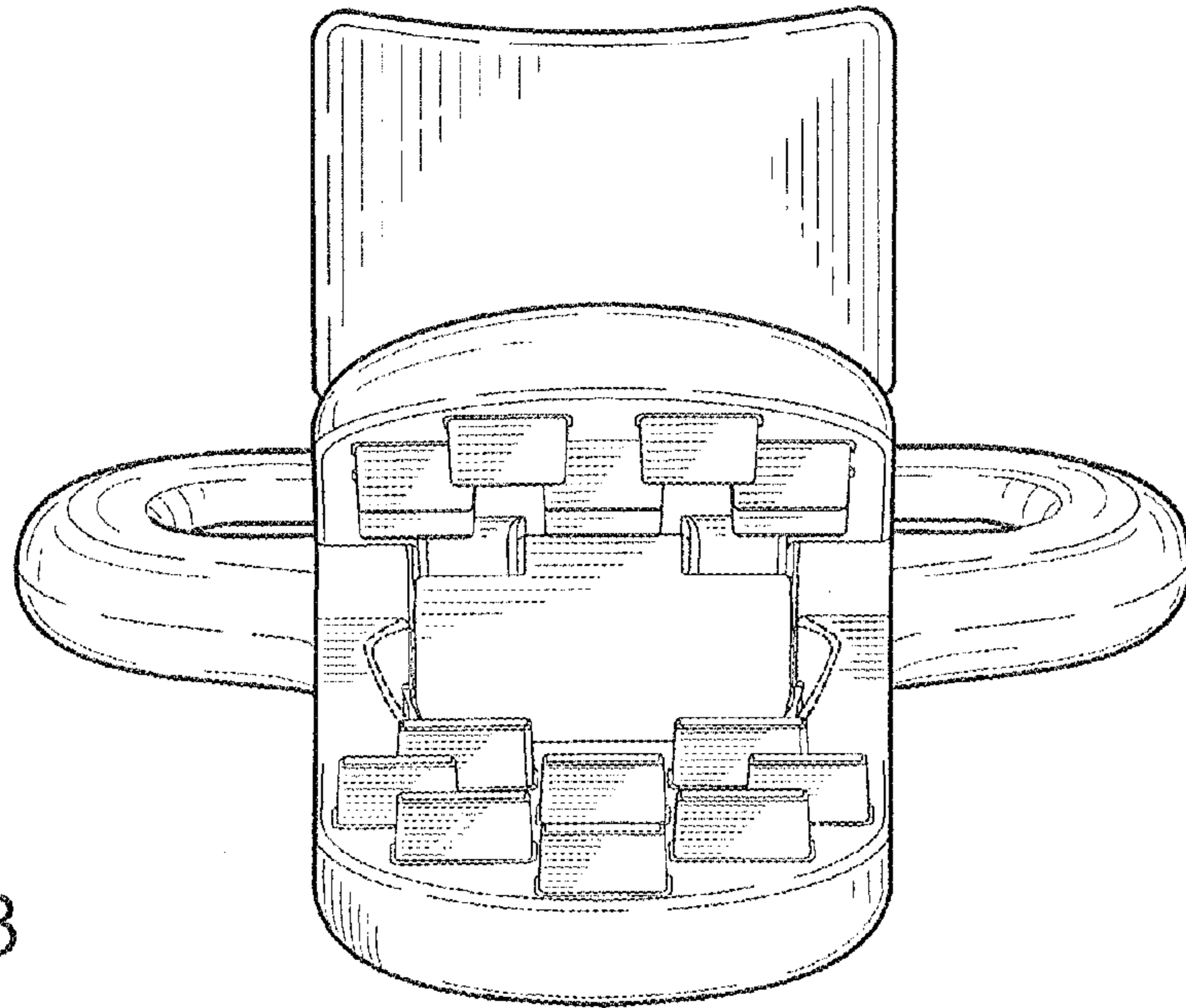


Fig. 3

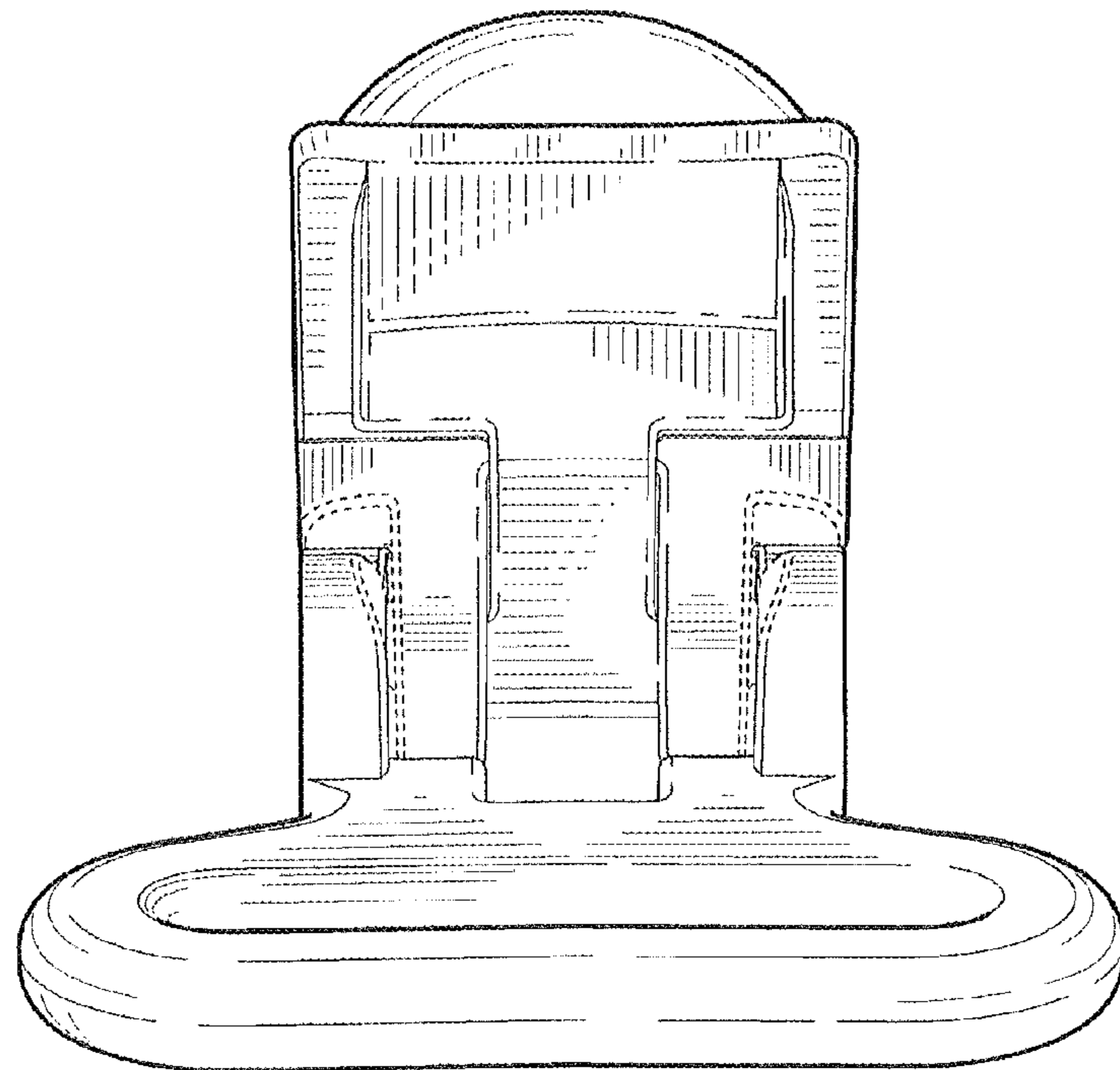


Fig. 4

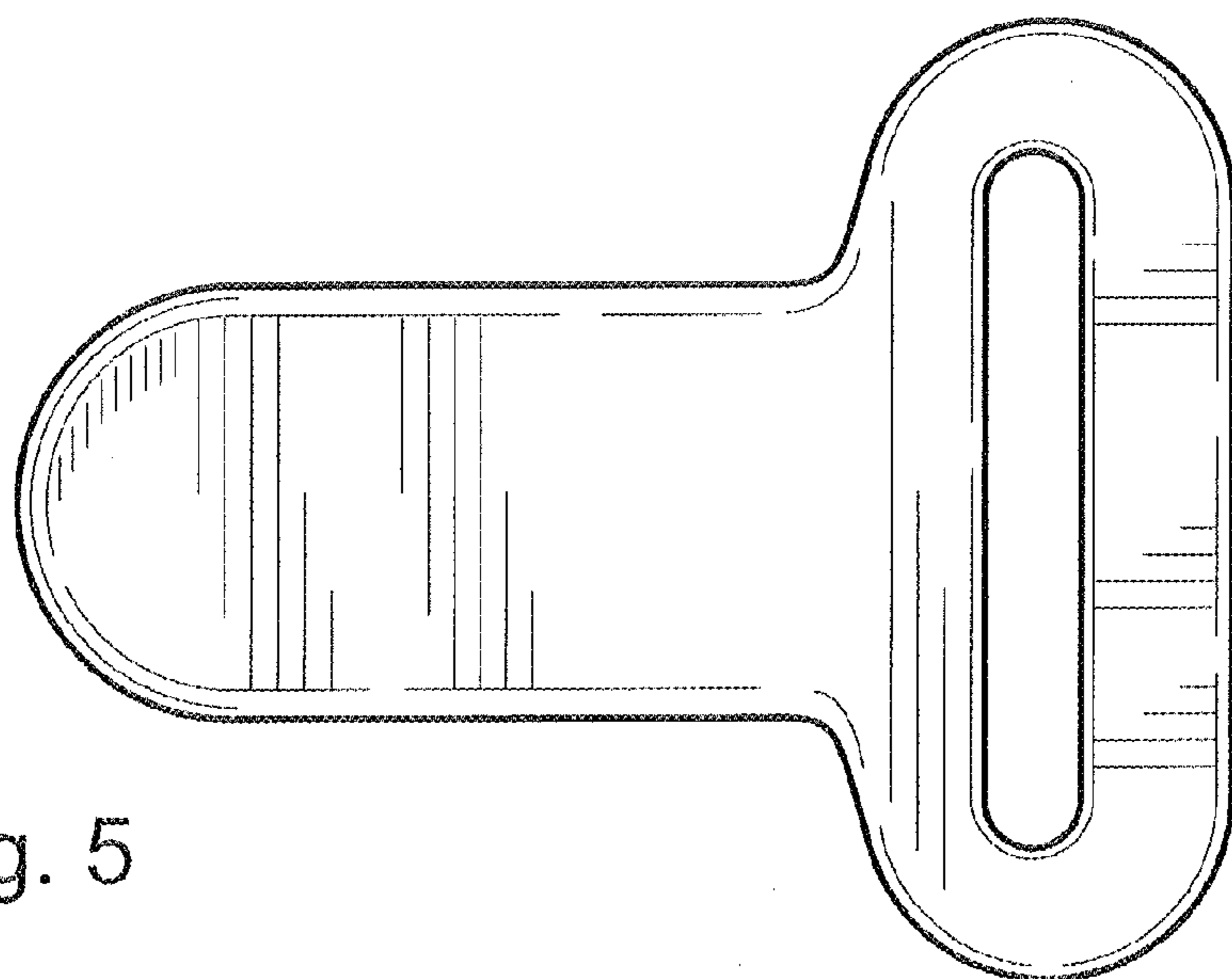


Fig. 5

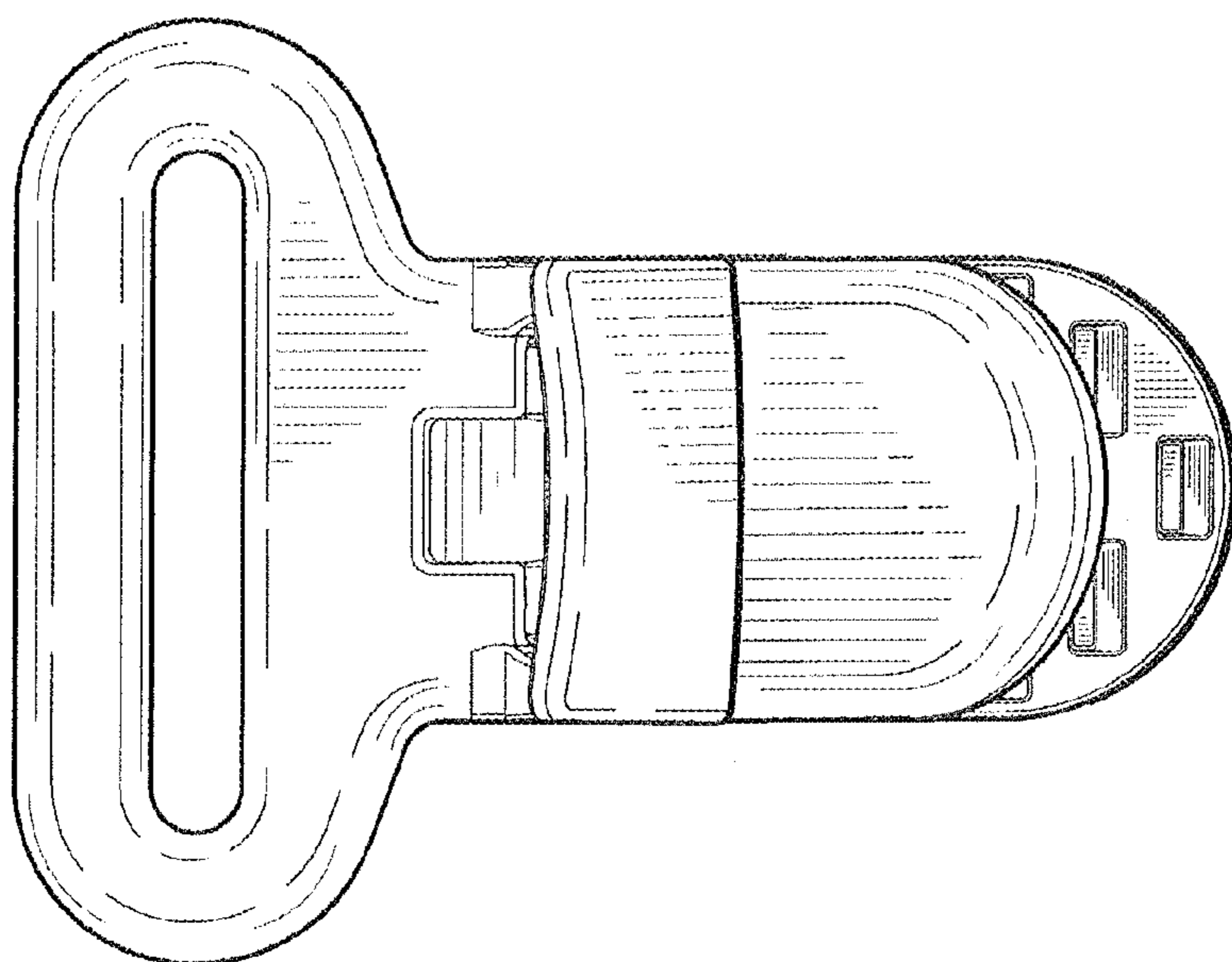


Fig. 6