



US00D752961S

(12) **United States Design Patent**  
**Gaibler et al.**

(10) **Patent No.:** **US D752,961 S**  
(45) **Date of Patent:** **\*\* Apr. 5, 2016**

(54) **END FOR EXTENSION MEMBER**

(71) Applicant: **The Ulven Companies**, Hubbard, OR (US)

(72) Inventors: **Dennis Gaibler**, Wilsonville, OR (US);  
**Michael John Secrist**, Newberg, OR (US)

(73) Assignee: **The Ulven Companies**, Hubbard, OR (US)

(\*\*) Term: **14 Years**

(21) Appl. No.: **29/504,215**

(22) Filed: **Oct. 2, 2014**

(51) **LOC (10) Cl.** ..... **08-08**

(52) **U.S. Cl.**  
USPC ..... **D8/382**

(58) **Field of Classification Search**  
USPC ..... D8/349, 345, 356, 373, 382, 499, 387;  
D12/114, 223, 162, 159  
CPC ..... B66B 7/08; B66B 7/085; B66B 7/068;  
E21B 19/06; E21B 19/07; E21B 19/02;  
B66C 1/66; Y10T 403/57; Y10T 403/5721;  
Y10T 403/5733

See application file for complete search history.

(56) **References Cited**

**U.S. PATENT DOCUMENTS**

D35,263 S \* 11/1901 Frazier ..... D8/382  
1,018,732 A \* 2/1912 Viger ..... E21B 19/06  
294/91

(Continued)

**FOREIGN PATENT DOCUMENTS**

EP 0079846 A1 \* 5/1983

**OTHER PUBLICATIONS**

Blohm + Voss Oil Tools, "Blohm+Voss Pipe Handling Equipment Special Link Connector," 28 pages, <http://www.blohmvoss-oiltools.com/>

com/\_documents/B+V\_Manual\_Special\_Link\_Connector.pdf (May 2012).

*Primary Examiner* — Sheryl Lane

*Assistant Examiner* — Ieisha Price

(74) *Attorney, Agent, or Firm* — Klarquist Sparkman, LLP

(57) **CLAIM**

We claim the ornamental design for an end for extension member, as shown and described.

**DESCRIPTION**

FIG. 1 is a perspective view of the first embodiment showing the front, left and top sides of an end for extension member. FIG. 2 is a front side elevation view of the end for extension member of FIG. 1.

FIG. 3 is a rear side elevation view of the end for extension member of FIG. 1.

FIG. 4 is a top side plan view of the end for extension member of FIG. 1.

FIG. 5 is a bottom side plan view of the end for extension member of FIG. 1.

FIG. 6 is a left side elevation view of the end for extension member of FIG. 1, the right side being a mirror image of the left side.

FIG. 7 is a perspective view of the second embodiment showing front, left and top sides of an end for extension member, shown with an alternate loop end.

FIG. 8 is a front side elevation view of the end for extension member of FIG. 7.

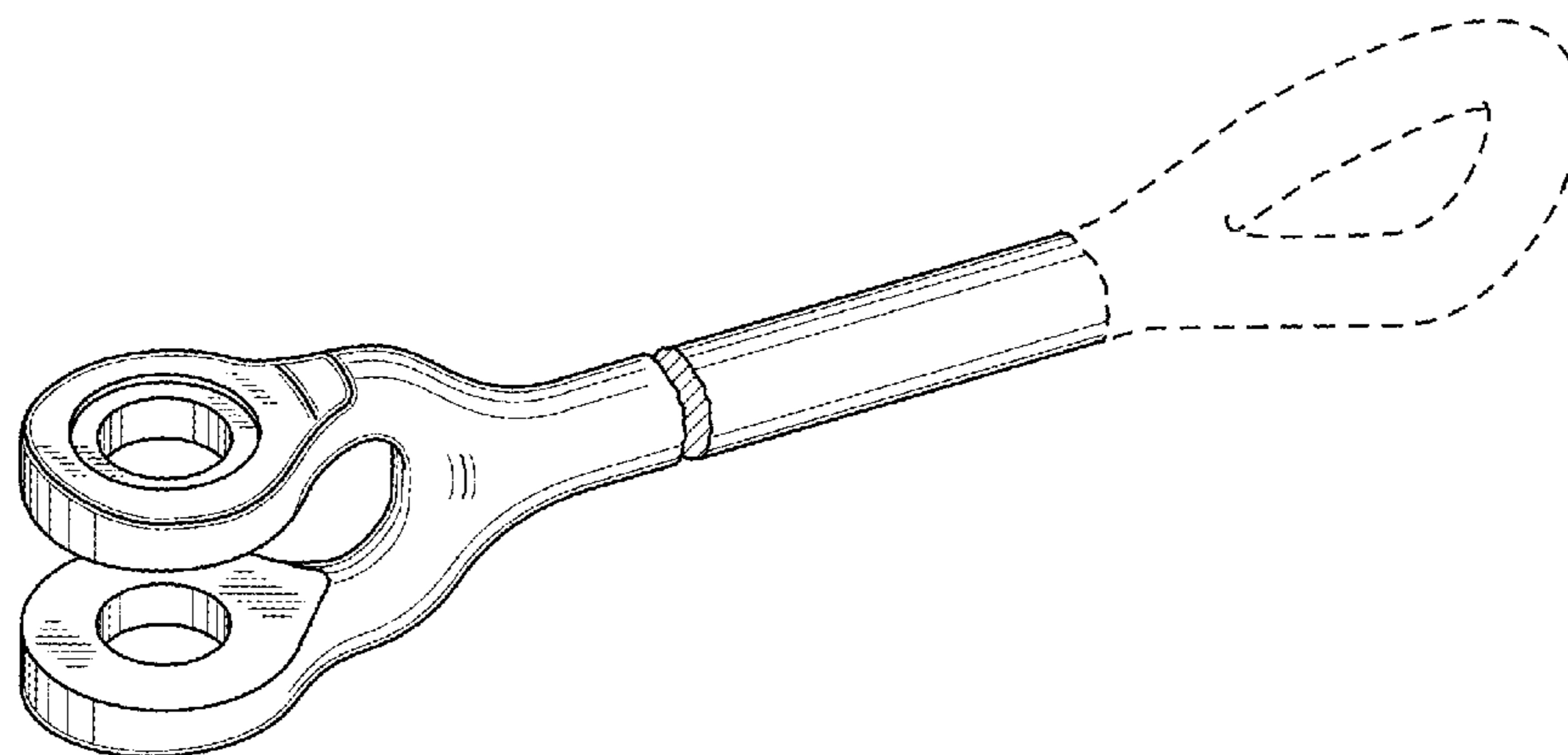
FIG. 9 is a rear side elevation view of the end for extension member of FIG. 7.

FIG. 10 is a top side plan view of the end for extension member of FIG. 7, the bottom side being a mirror image of the top side; and,

FIG. 11 is a left side elevation view of the end for extension member of FIG. 7, the right side being a mirror image of the left side.

The broken lines in the drawings illustrate portions of the end for extension member and form no part of the claimed design. All portions of the end for extension member located in between the break lines shown in FIGS. 1, 4-7 and 10-11 form no part of the claimed design.

**1 Claim, 2 Drawing Sheets**



# US D752,961 S

Page 2

(56)

## References Cited

### U.S. PATENT DOCUMENTS

1,466,127 A *	8/1923	Gottschalt .....	F16G 11/04 403/248
2,403,402 A *	7/1946	Rossi .....	F16G 11/12 29/442
D236,584 S *	9/1975	Svahn .....	D8/349
D240,396 S *	7/1976	Gray .....	280/515
D265,173 S *	6/1982	Brooks .....	D34/35
6,520,709 B1 *	2/2003	Mosing .....	B66C 1/66 403/300
6,902,341 B1 *	6/2005	Rauschert .....	F16C 7/02 403/301
7,048,071 B1 *	5/2006	Huenink .....	A01B 59/004 172/439
D585,254 S *	1/2009	Lorenzen .....	D8/25
D642,270 S *	7/2011	McAfee .....	D24/155
2013/0105168 A1 *	5/2013	Overland .....	E21B 19/07 166/352

\* cited by examiner

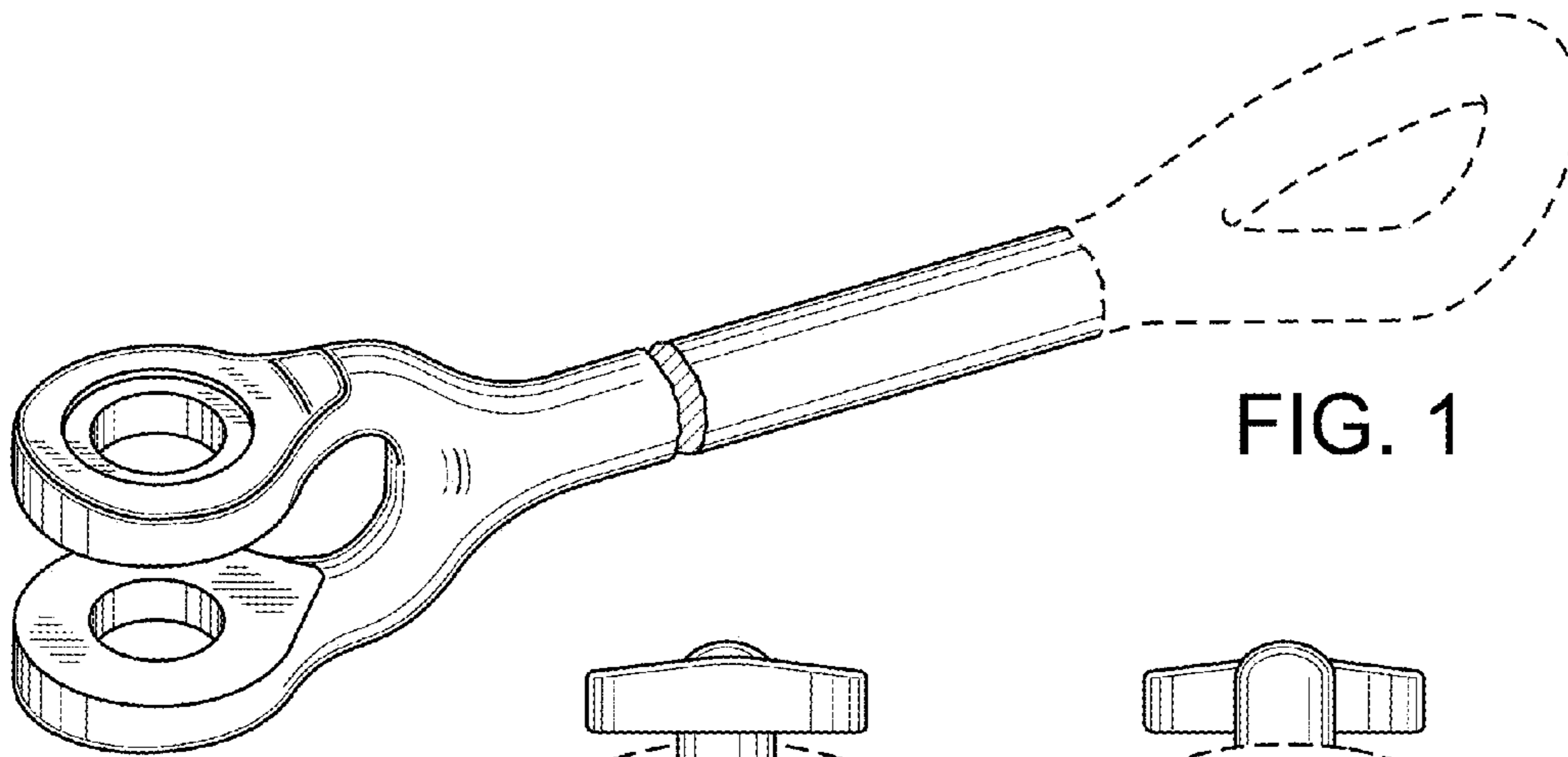


FIG. 1

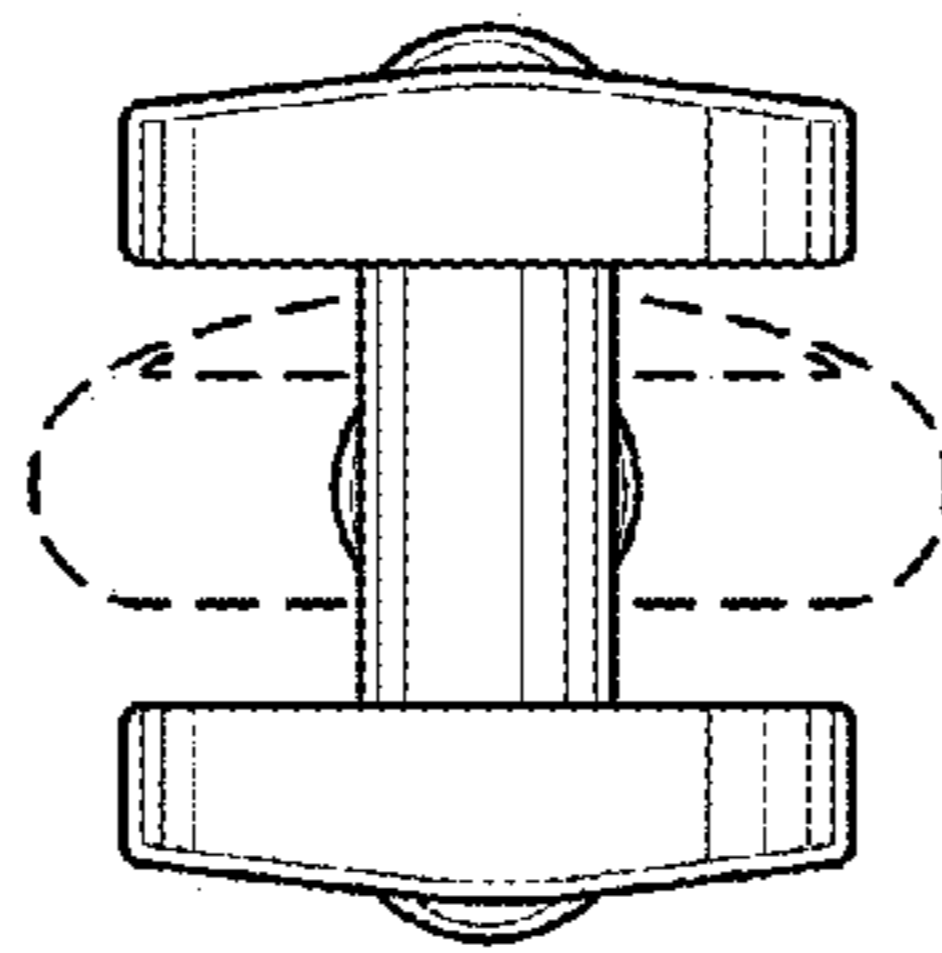


FIG. 2

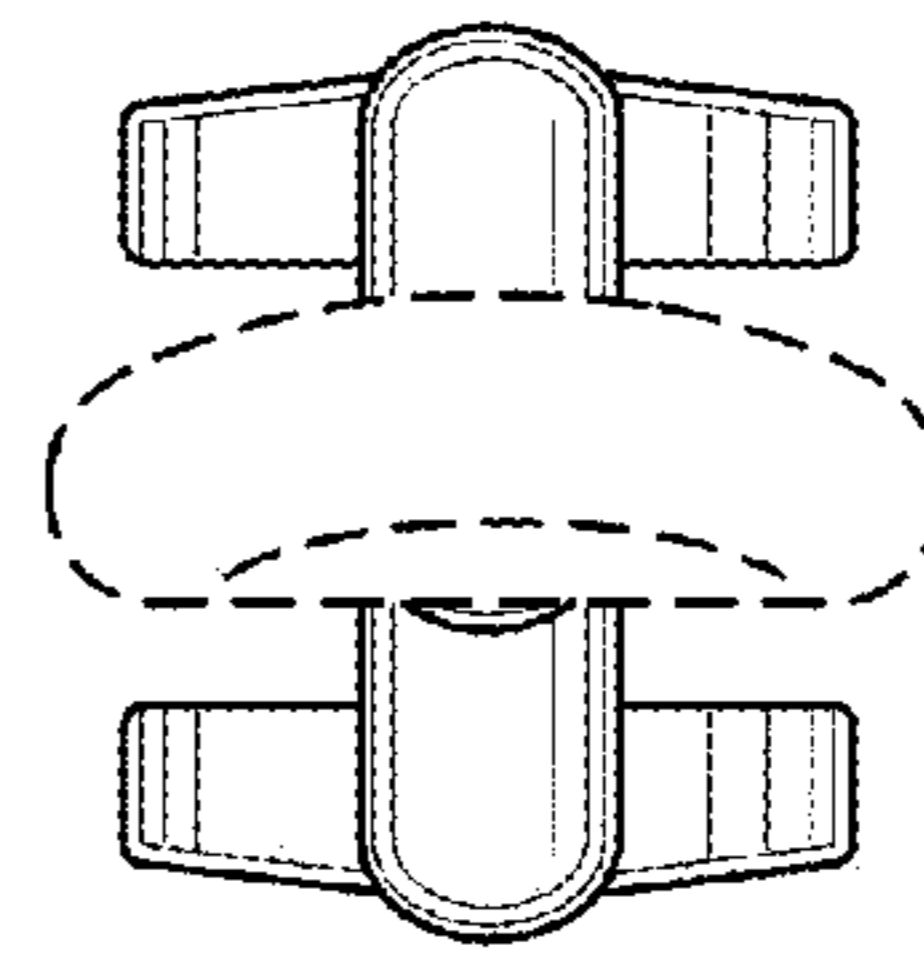


FIG. 3

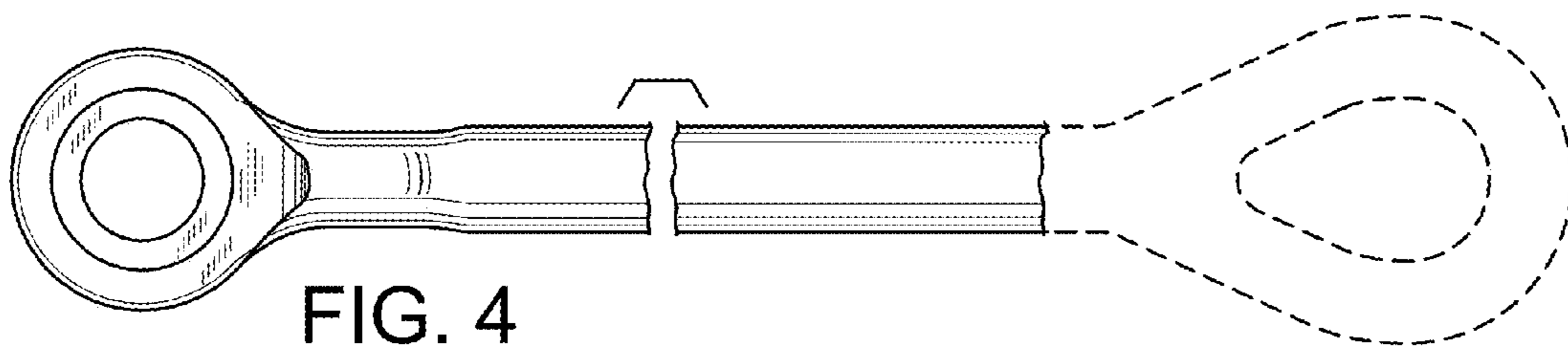


FIG. 4

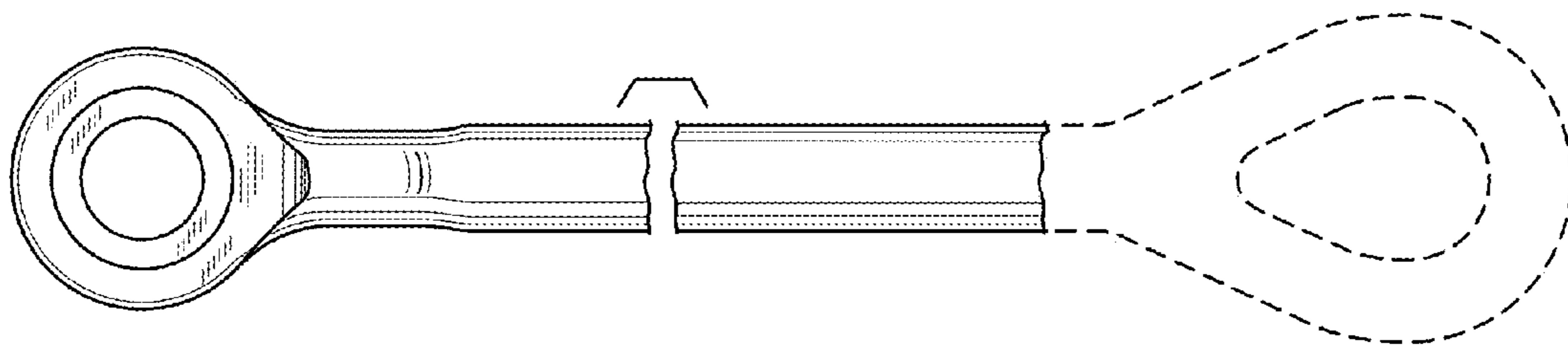


FIG. 5

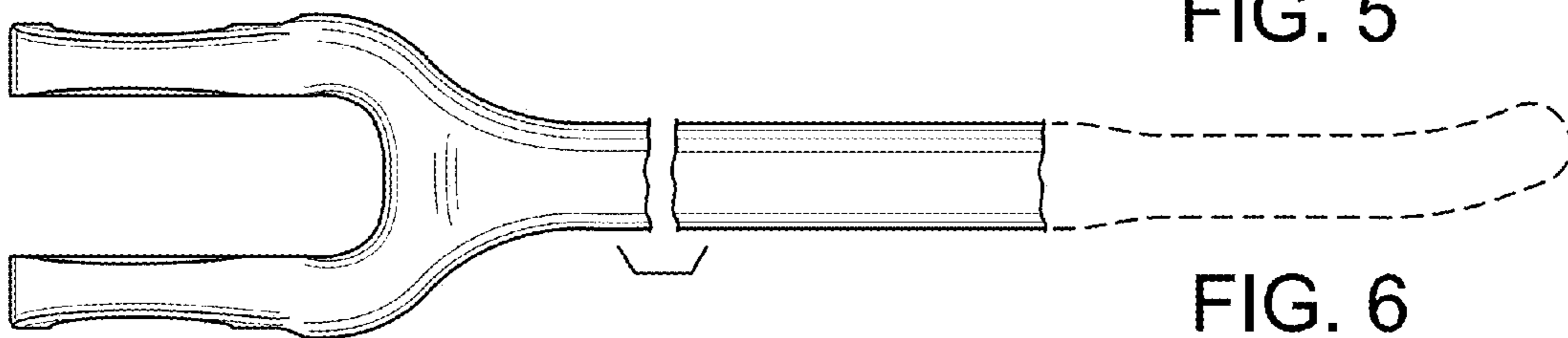


FIG. 6

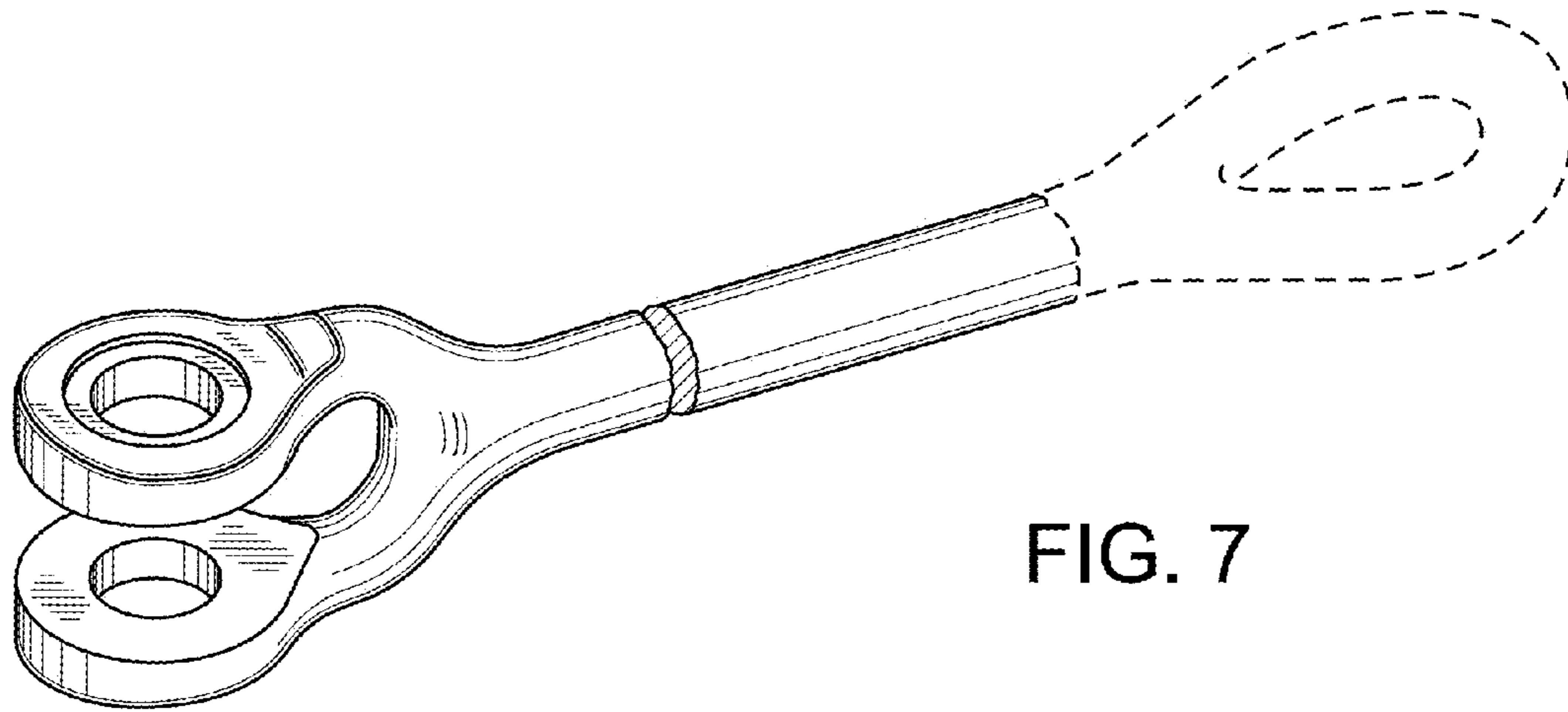


FIG. 7

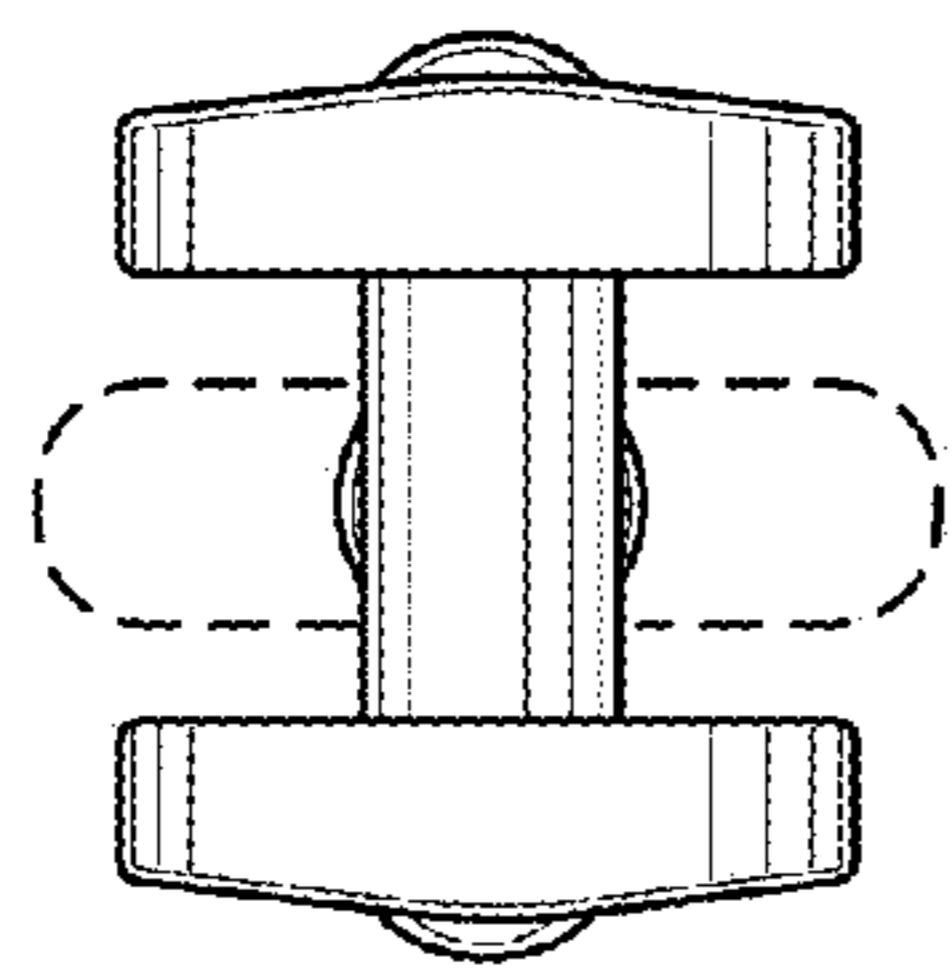


FIG. 8

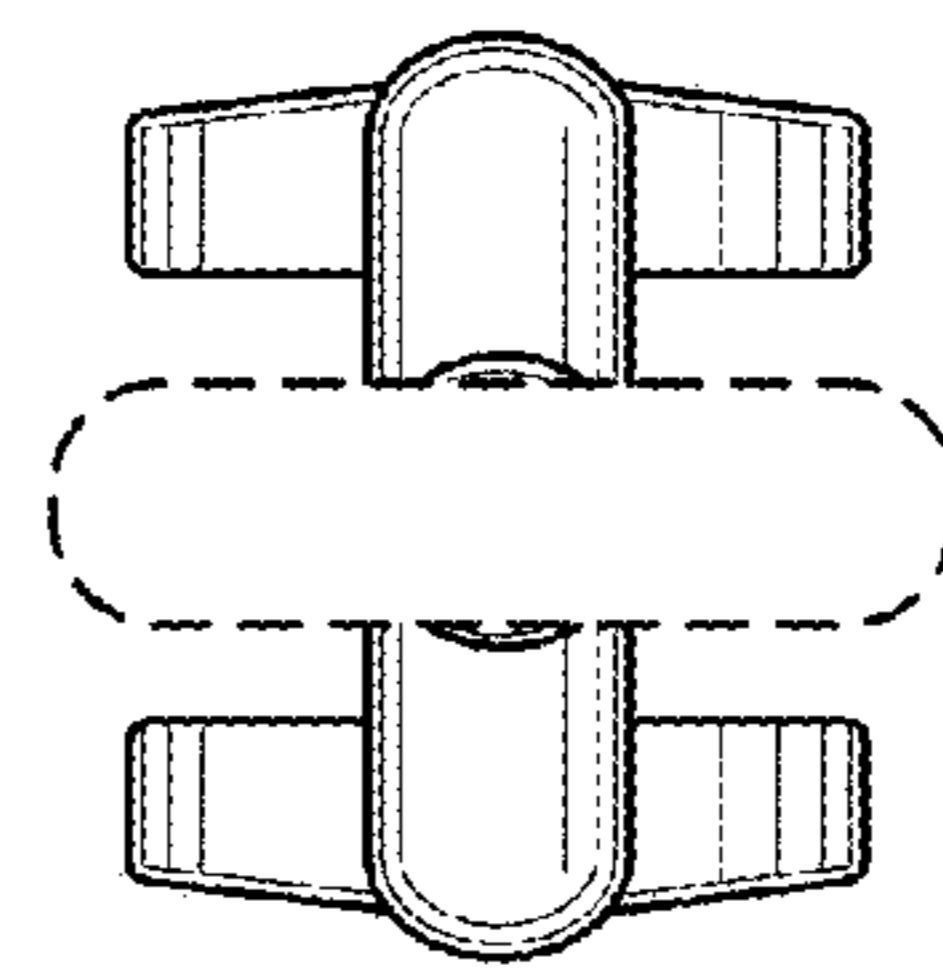


FIG. 9

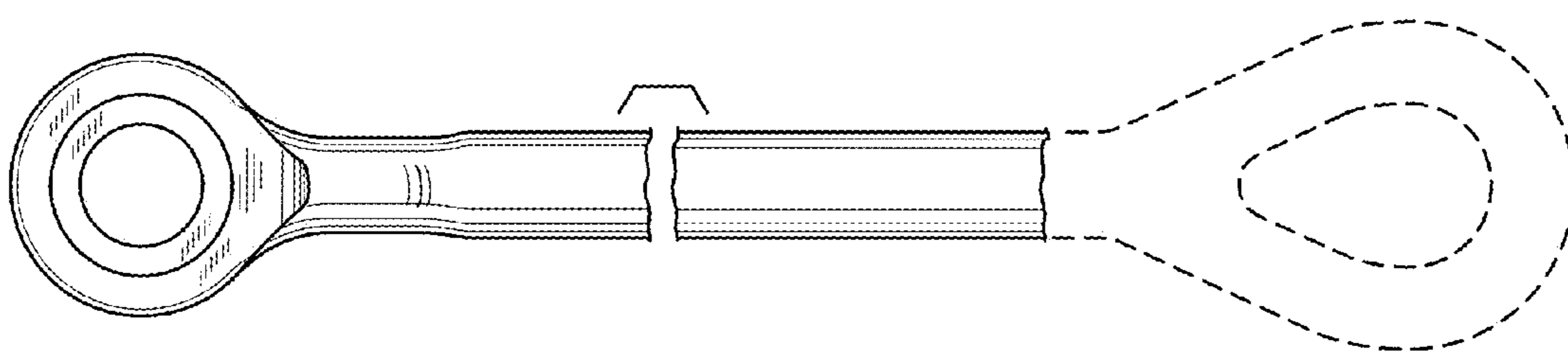


FIG. 10

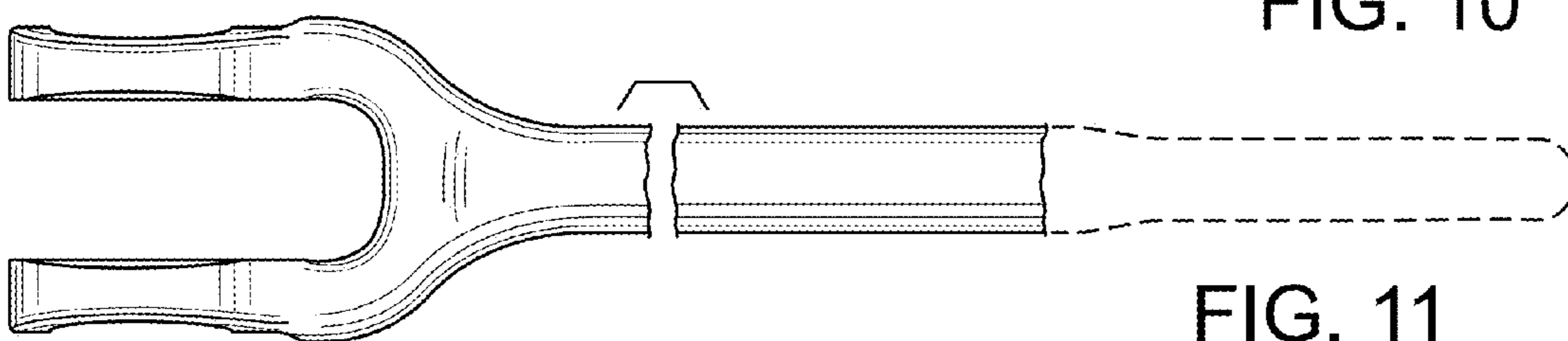


FIG. 11