



US00D752959S

(12) **United States Design Patent**
Perrin et al.

(10) **Patent No.:** **US D752,959 S**
(45) **Date of Patent:** **** Apr. 5, 2016**

(54) **DEVICE FOR LEVELING TABLES**

(71) Applicants: **Denis Perrin**, Wilton Manors, FL (US);
Dwight Brooks, Boynton Beach, FL (US)

(72) Inventors: **Denis Perrin**, Wilton Manors, FL (US);
Dwight Brooks, Boynton Beach, FL (US)

(73) Assignee: **Denis Perrin**, Wilton Manors, FL (US)

(**) Term: **14 Years**

(21) Appl. No.: **29/470,443**

(22) Filed: **Oct. 22, 2013**

(51) **LOC (10) Cl.** **08-05**

(52) **U.S. Cl.**
USPC **D8/374**

(58) **Field of Classification Search**
USPC D6/329, 702, 710, 712; D8/354, 374,
D8/499; D34/31, 32
CPC A47B 91/14; A47B 91/16; A47B 91/02;
A47B 91/00; F16M 7/00
See application file for complete search history.

(56) **References Cited**

U.S. PATENT DOCUMENTS

3,030,730 A * 4/1962 Costar 248/188.2
3,171,632 A * 3/1965 Jines 254/104

(Continued)

FOREIGN PATENT DOCUMENTS

WO WO 02079654 A1 * 10/2002 E04F 21/22
WO WO 2013147722 A1 * 10/2013 A47B 91/00

OTHER PUBLICATIONS

Wobble Wedges Tapered Shims: Technical Specifications, image post date Unknown, site visited on May 3, 2015, <<http://www.wobblewedges.com/pages/Technical-Specifications.html>>.*

Primary Examiner — Sheryl Lane

Assistant Examiner — Ieisha Price

(74) *Attorney, Agent, or Firm* — Nancy J. Flint, Esq; Nancy J. Flint, Attorney at Law, P.A.

(57) **CLAIM**

The ornamental design for a device for leveling tables, as shown and described.

DESCRIPTION

FIG. 1 is a top view of a device for leveling tables in its closed position showing our new design;

FIG. 2 is a left side view of the device for leveling tables in its closed position;

FIG. 3 is a front view of the device for leveling tables in its closed position;

FIG. 4 is a bottom view of the device for leveling tables in its closed position;

FIG. 5 is a back view of the device for leveling tables in its closed position;

FIG. 6 is a right side view of the device for leveling tables in its closed position;

FIG. 7 is a top perspective view of the device for leveling tables in its closed position;

FIG. 8 is a top view of the device for leveling tables in its open position;

FIG. 9 is a left side view of the device for leveling tables in its open position;

FIG. 10 is a front view of the device for leveling tables in its open position;

FIG. 11 is a bottom view of the device for leveling tables in its open position;

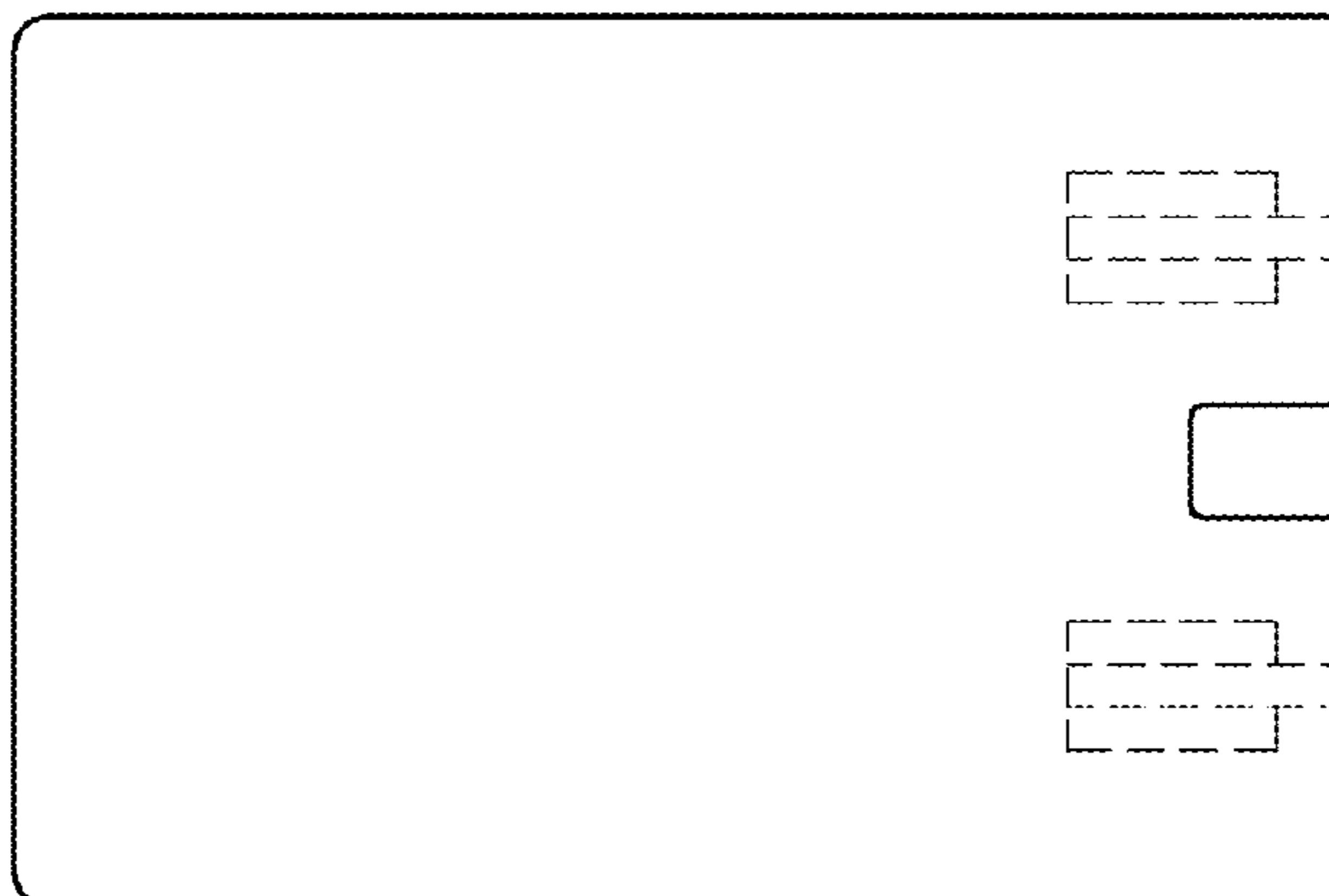
FIG. 12 is a back view of the device for leveling tables in its open position;

FIG. 13 is a right side view of the device for leveling tables in its open position; and,

FIG. 14 is a top perspective view of the device for leveling tables in its open position.

The broken lines in the drawings illustrate portions of the device for leveling tables which form no part of the claimed design.

1 Claim, 6 Drawing Sheets



(56)

References Cited

U.S. PATENT DOCUMENTS

3,836,118 A * 9/1974 Meyer 254/104
 4,135,335 A * 1/1979 Jensen 52/126.1
 D267,228 S * 12/1982 Channell D8/382
 4,776,548 A * 10/1988 Bezenek 248/188.2
 5,249,767 A * 10/1993 Mellen 248/188.2
 D406,028 S * 2/1999 Montgomery D8/47
 D421,374 S * 3/2000 Montgomery D8/47
 6,164,608 A * 12/2000 Schiel, Jr. 248/188.2
 6,793,041 B1 * 9/2004 Taylor 182/200

D538,150 S * 3/2007 Burns et al. D8/402
 7,520,483 B2 * 4/2009 Rand et al. 248/346.11
 D613,023 S * 3/2010 Fetzek D34/32
 7,703,727 B2 * 4/2010 Selness 248/188.2
 7,784,751 B1 * 8/2010 Bellows et al. 248/188.2
 8,297,567 B1 * 10/2012 Bellows et al. 248/188.2
 D683,924 S * 6/2013 Wolfenbarger et al. D34/32
 8,739,941 B2 * 6/2014 White et al. 188/32
 D712,726 S * 9/2014 Perrin D8/374
 2007/0221799 A1 * 9/2007 Hurley 248/188.2
 2015/0289649 A1 * 10/2015 Perrin F16M 11/24
 248/346.06

* cited by examiner

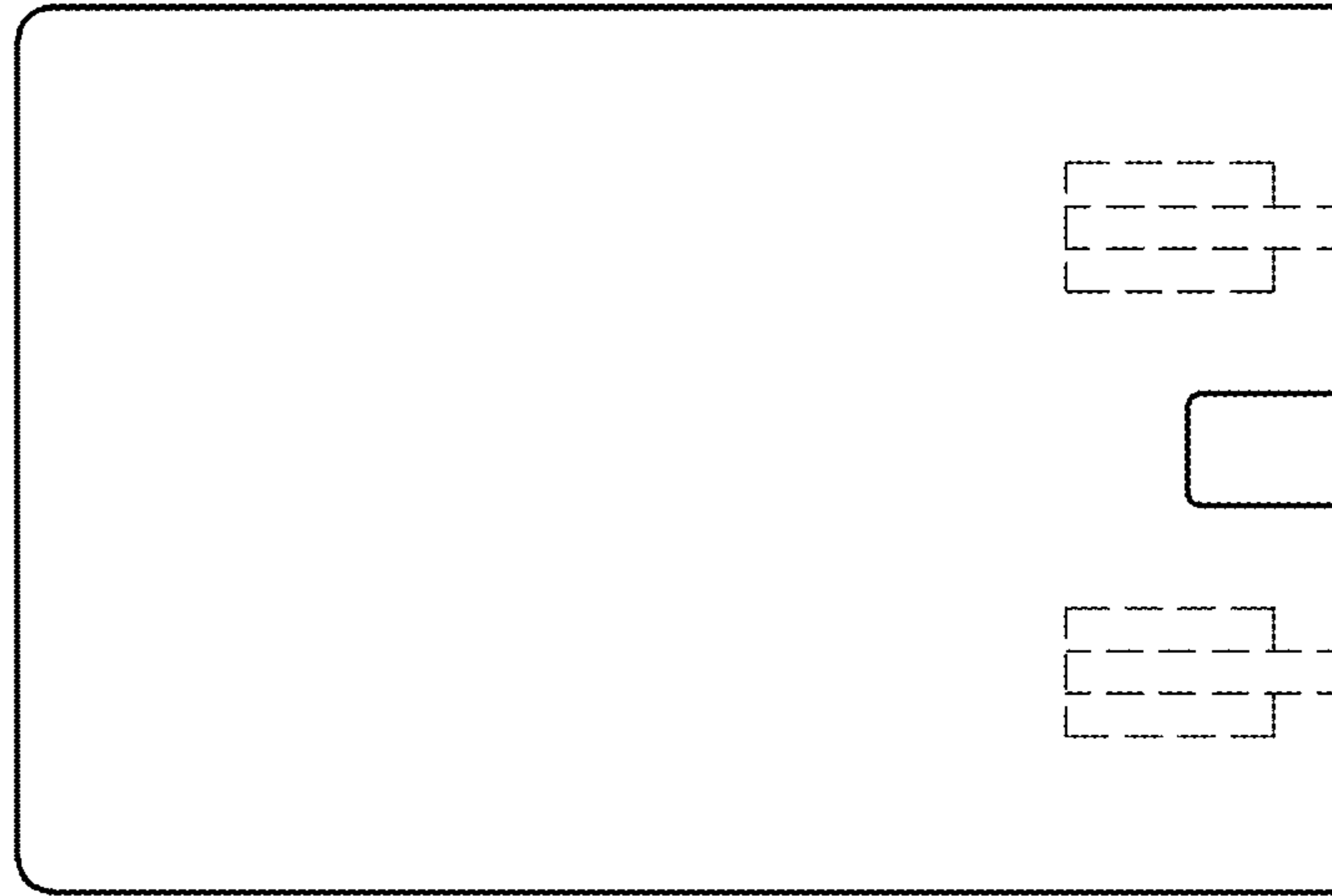


Fig. 1

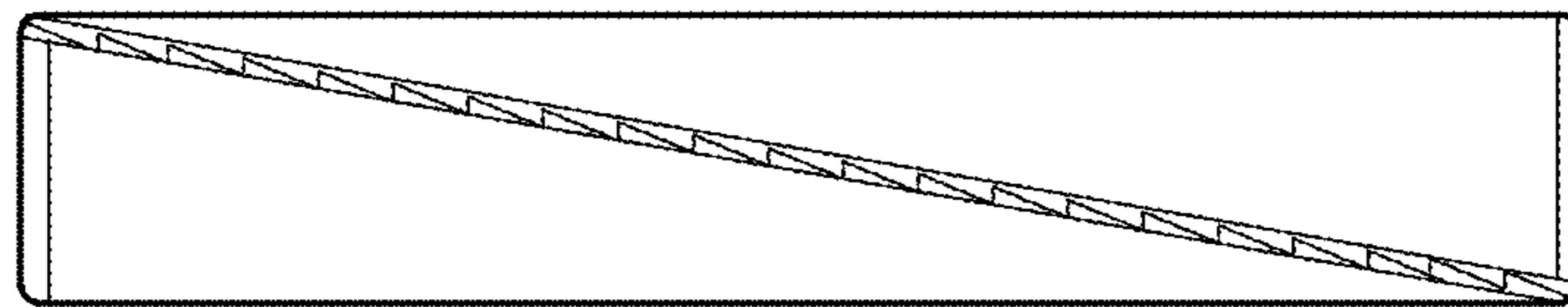


Fig. 2



Fig. 3



Fig. 4

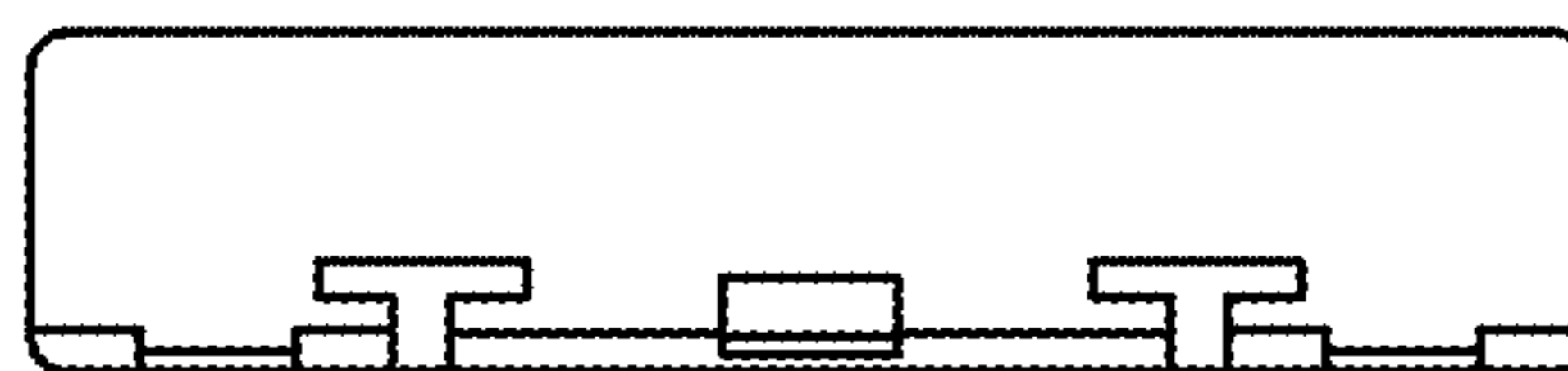


Fig. 5

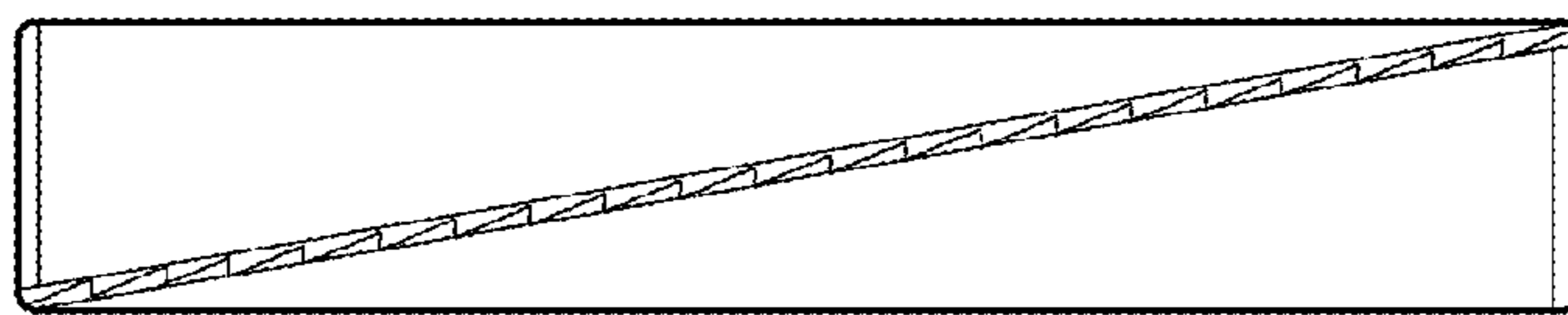


Fig. 6

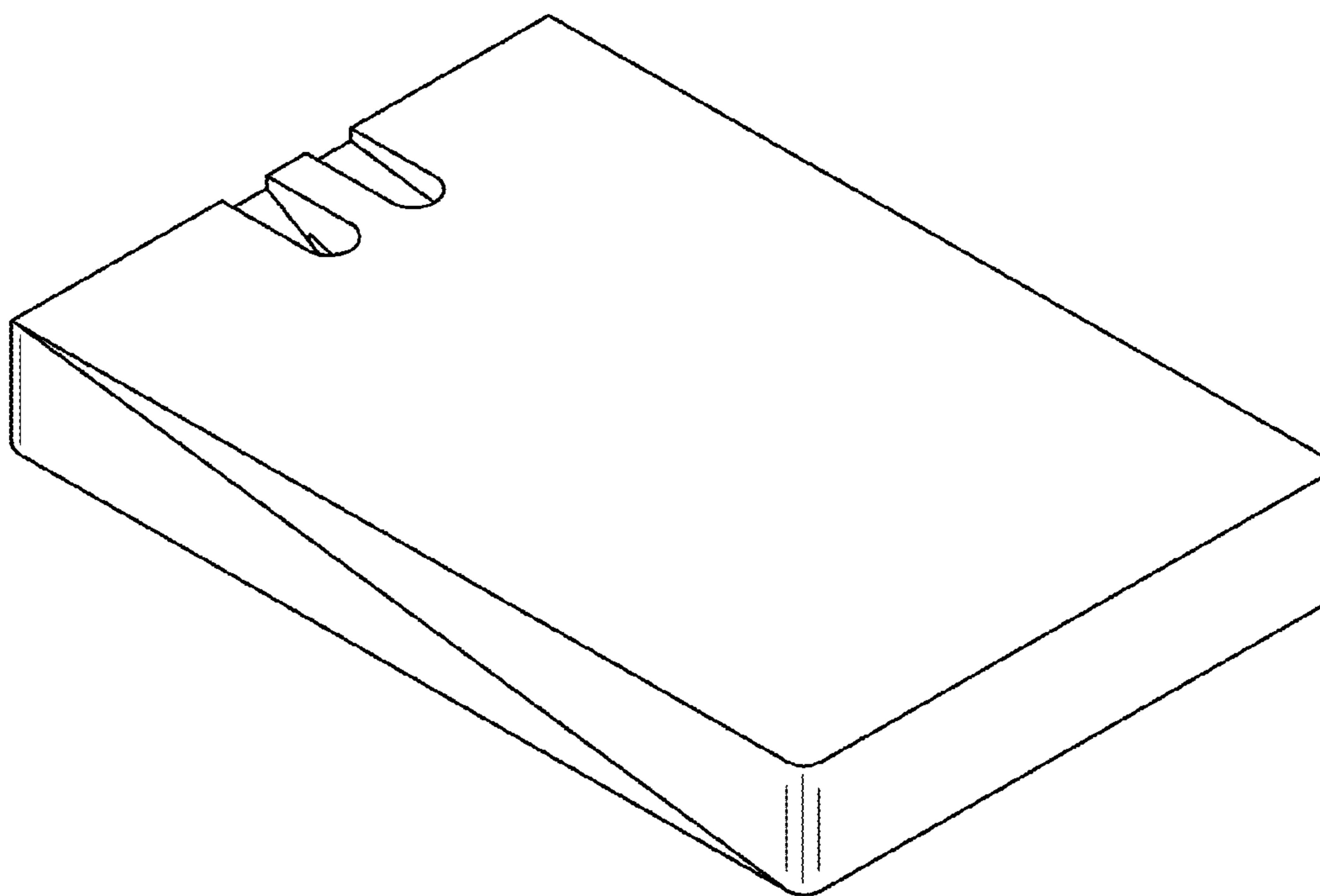


Fig. 7

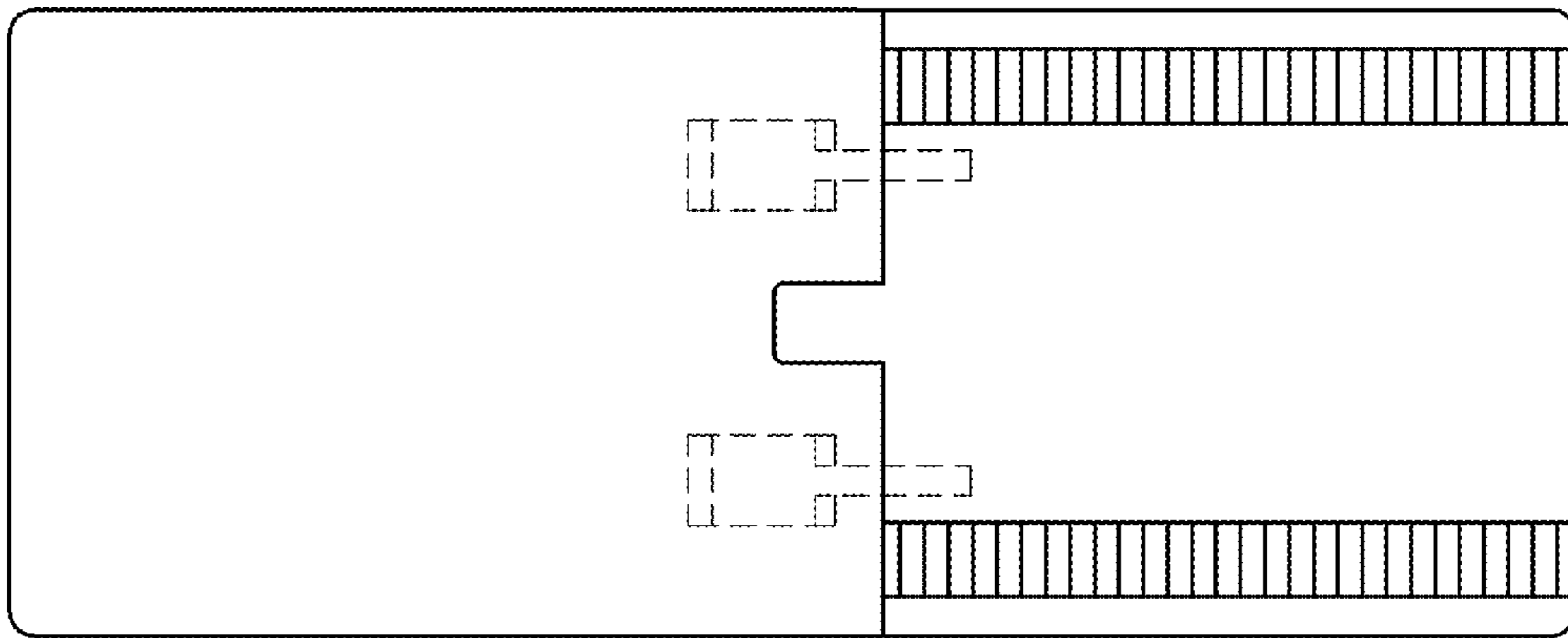


Fig. 8

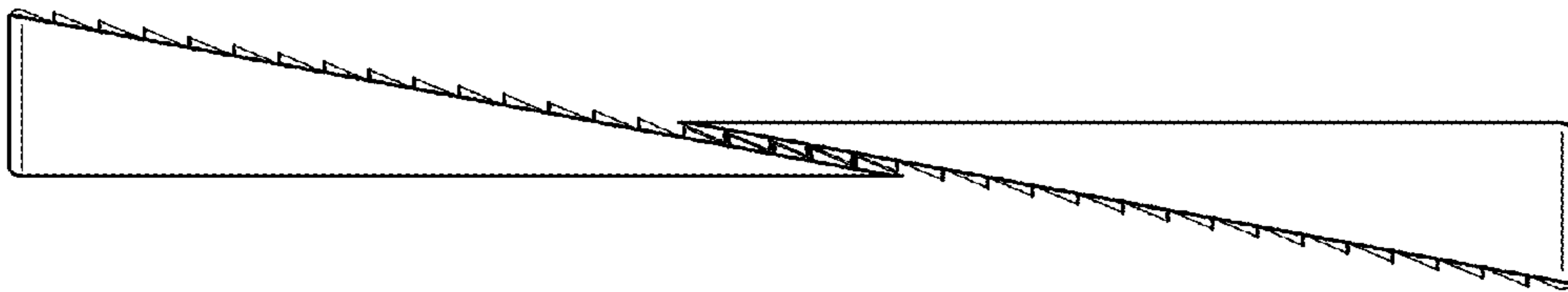


Fig. 9

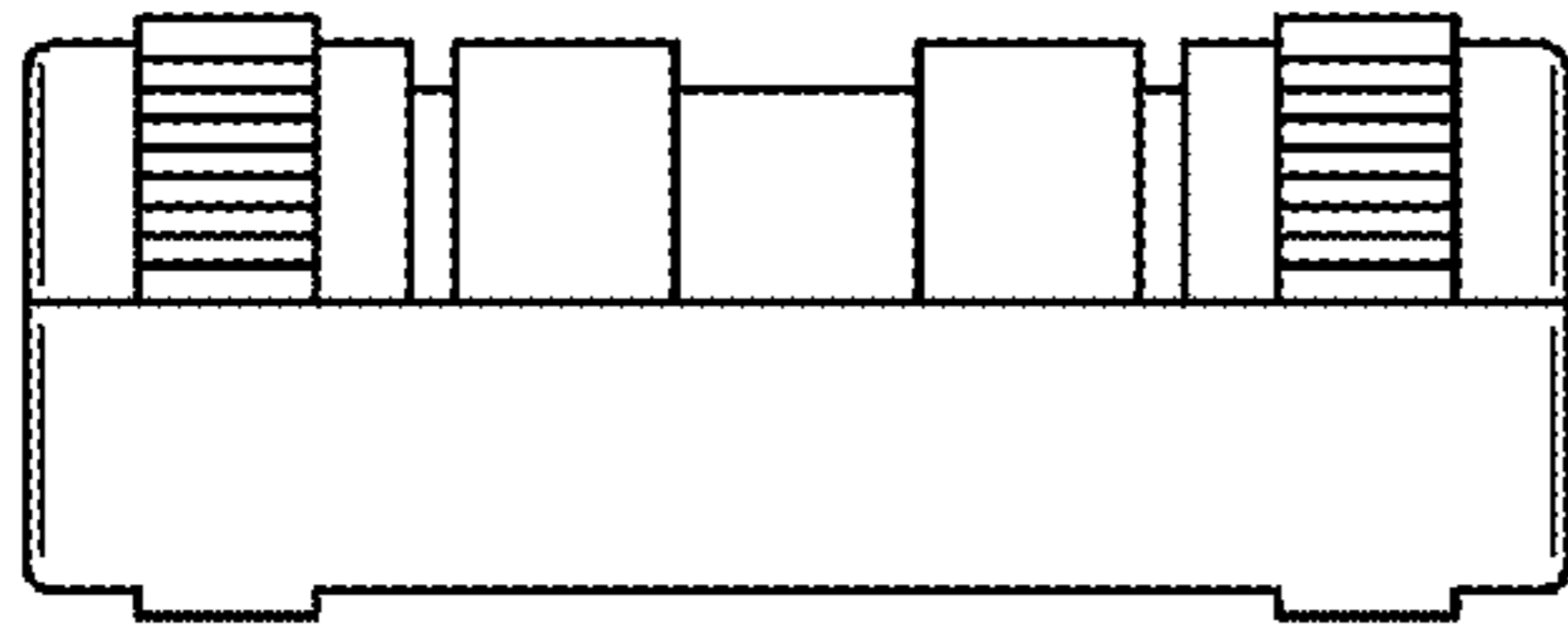


Fig. 10

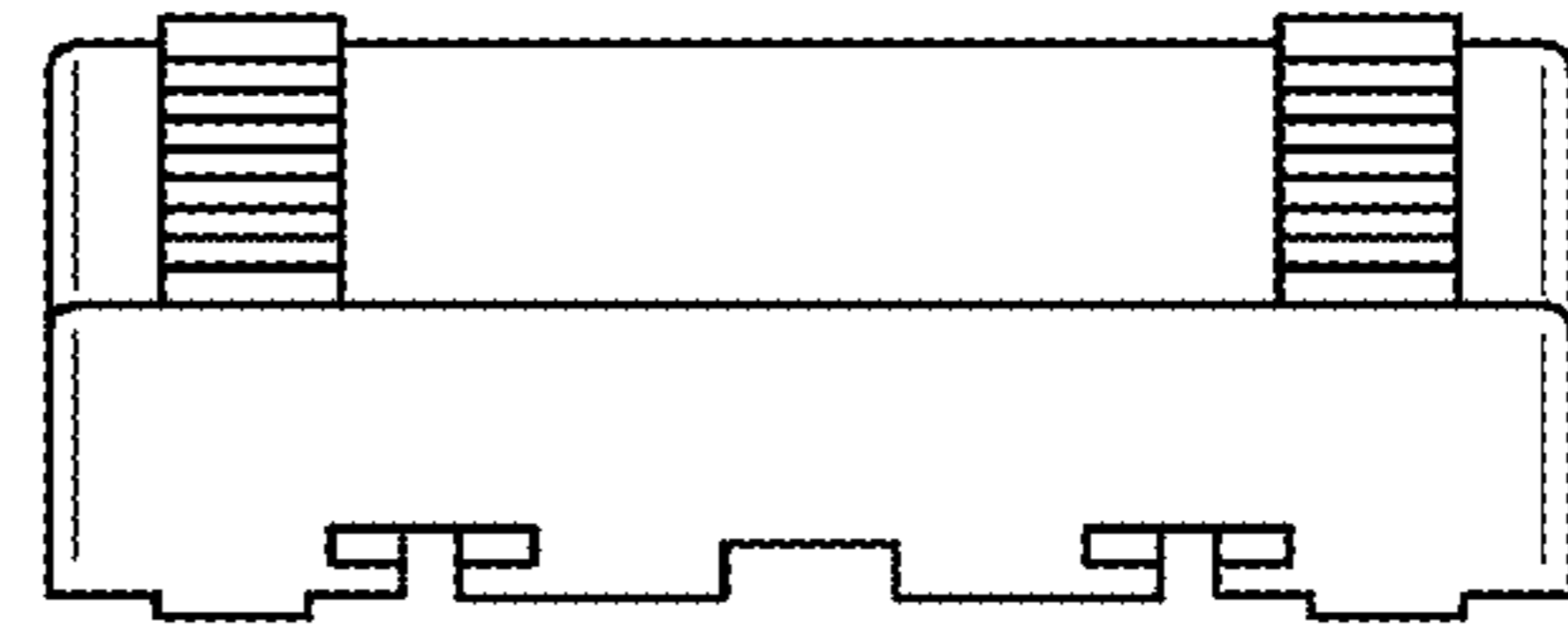


Fig. 12

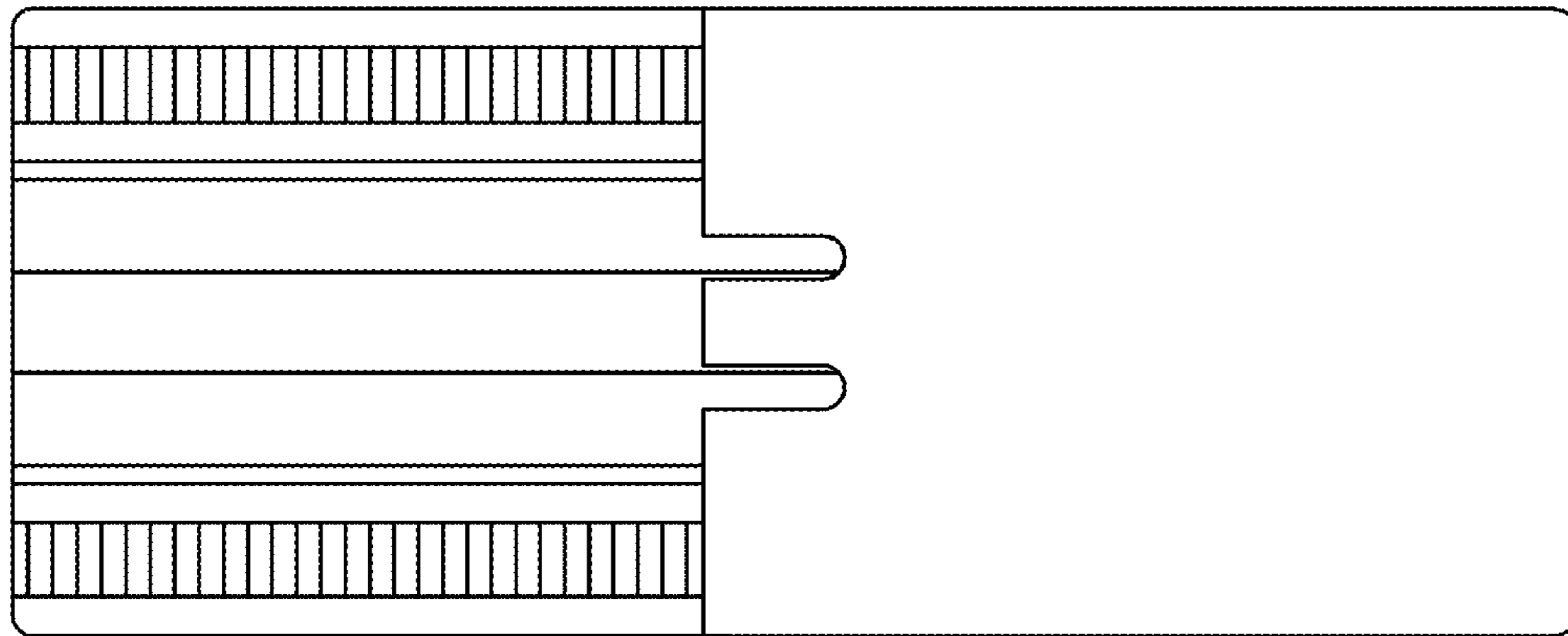


Fig. 11

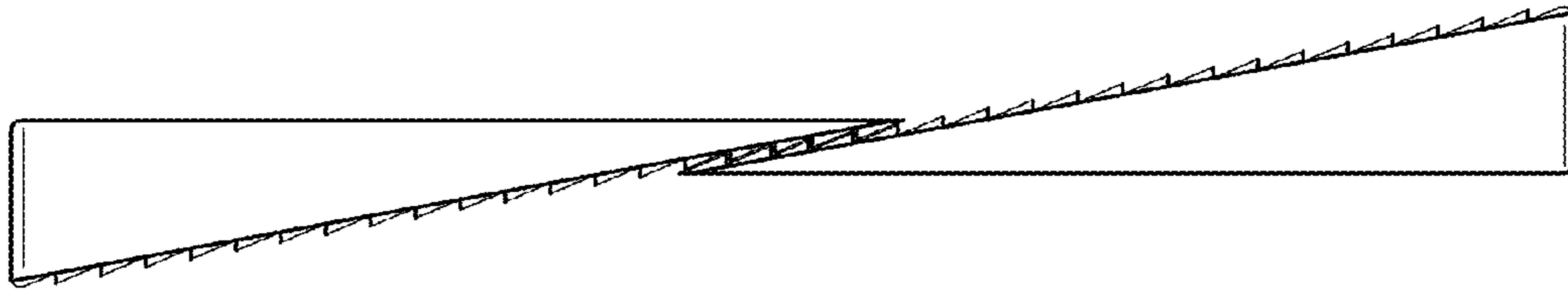


Fig. 13

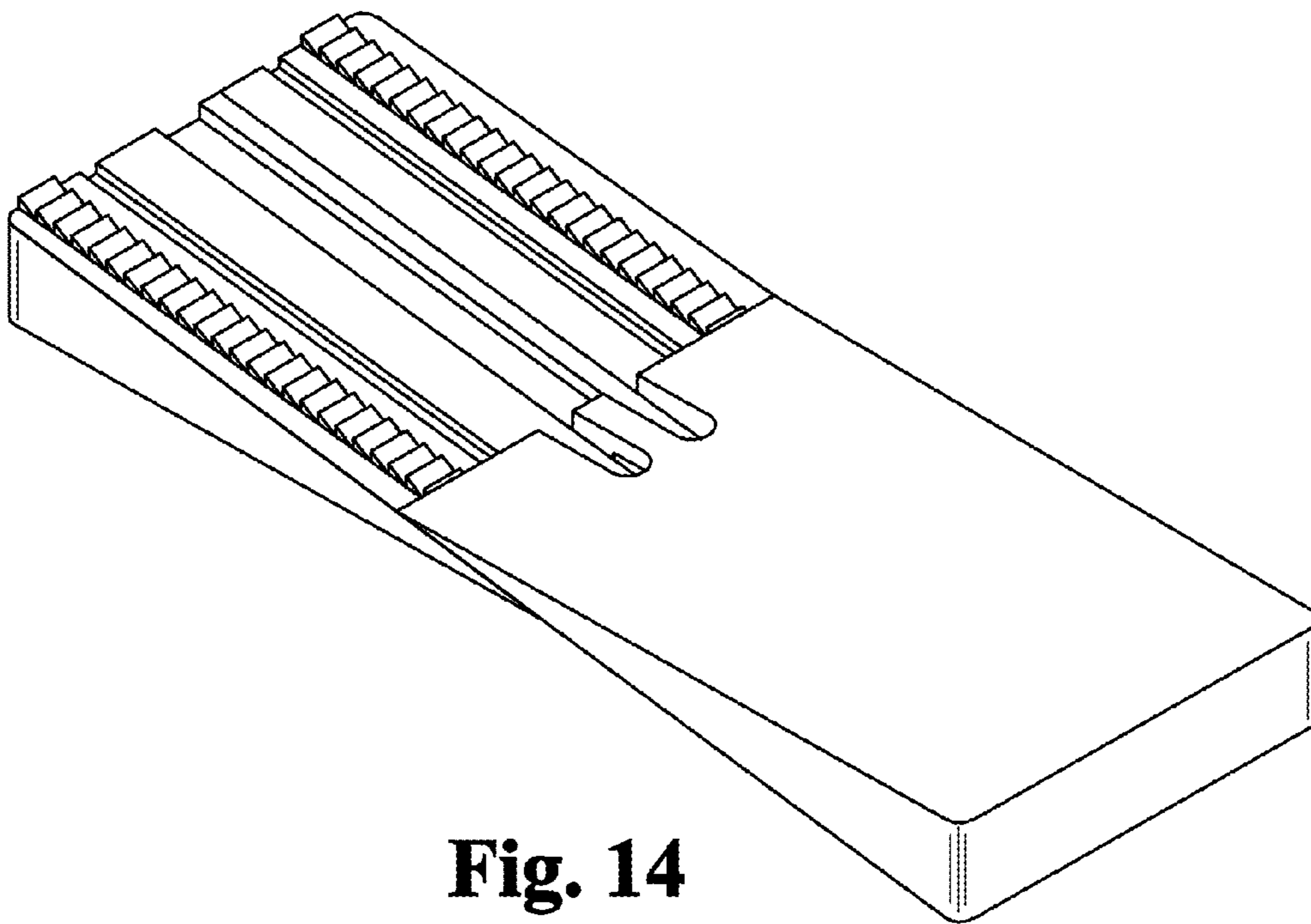


Fig. 14