



US00D752956S

(12) **United States Design Patent**  
**Loudon et al.**

(10) **Patent No.:** **US D752,956 S**  
(45) **Date of Patent:** **\*\* Apr. 5, 2016**

(54) **HOSE REEL CART**

(71) Applicant: **Active Products Inc.**, North York (CA)

(72) Inventors: **Jonathan Loudon**, Toronto (CA);  
**Heather Lam**, Toronto (CA); **Rebecca Brunette**, Toronto (CA); **Kevin Armour**, Toronto (CA)

(73) Assignee: **Active Products Inc.**, Toronto, Ontario

(\*\*) Term: **14 Years**

(21) Appl. No.: **29/456,417**

(22) Filed: **May 31, 2013**

(51) **LOC (10) Cl.** ..... **08-05**

(52) **U.S. Cl.**  
USPC ..... **D8/359**

(58) **Field of Classification Search**  
USPC ..... D8/356, 358, 359, 19, 45; 242/395,  
242/405.3, 118.7, 542.4, 160.4, 366, 400;  
137/355.27, 355.2; D14/484; D3/24;  
D15/16; D12/501, 204; D22/14, 137  
CPC ..... H02G 11/02; A01K 89/003; H04M 1/15;  
A01D 34/822; A47L 9/26; H04R 1/1033;  
Y10S 24/909

See application file for complete search history.

(56) **References Cited**

**U.S. PATENT DOCUMENTS**

5,056,553 A \* 10/1991 Whitehead et al. .... 137/355.27  
D371,061 S \* 6/1996 Hood ..... D8/359

5,713,310 A \* 2/1998 Lemke ..... 122/248  
2014/0352807 A1 \* 12/2014 Liu et al. .... 137/355.27  
2014/0352808 A1 \* 12/2014 Liu et al. .... 137/355.27

\* cited by examiner

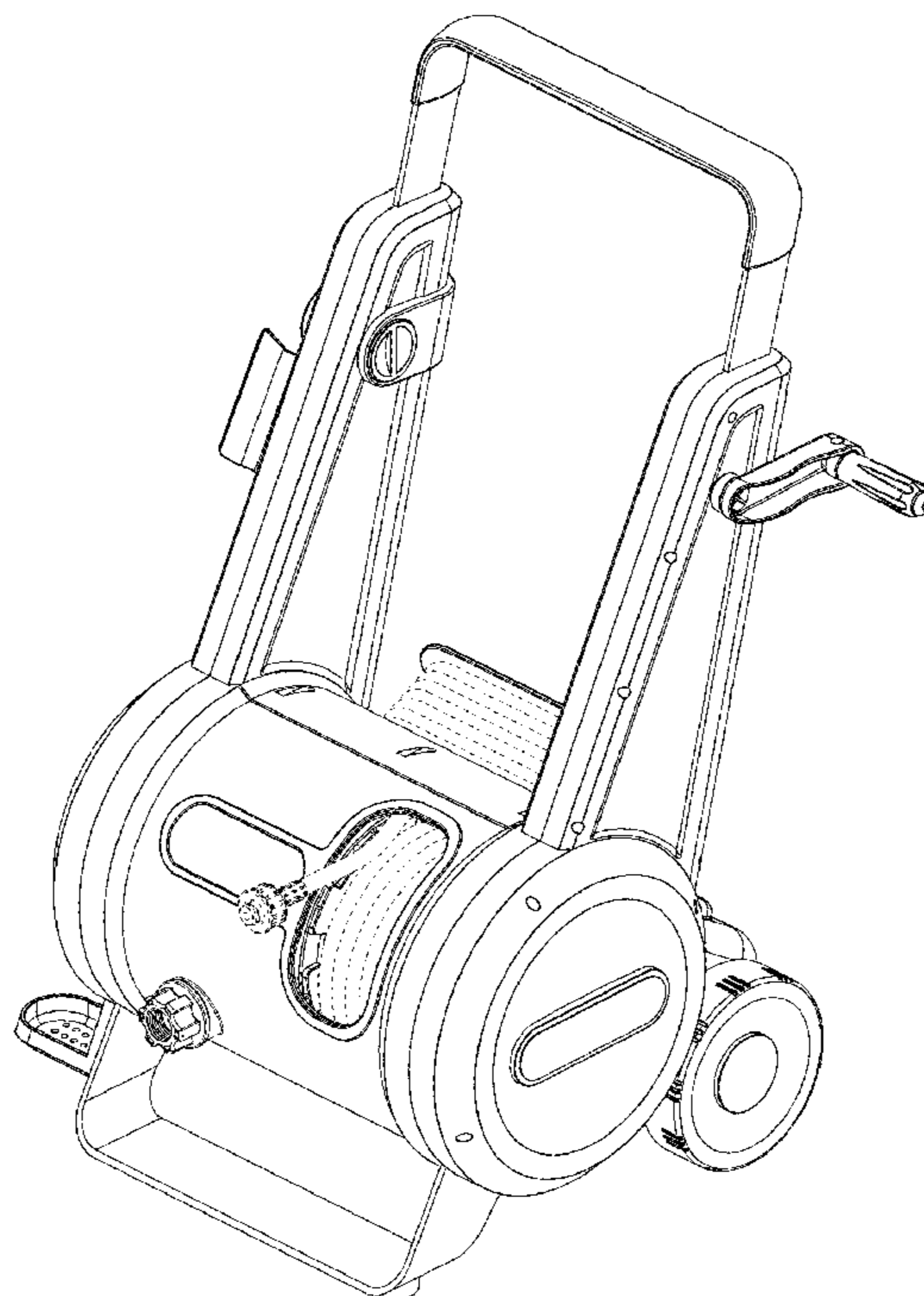
*Primary Examiner* — Robert M Spear  
*Assistant Examiner* — Eliza Bennett-Hattan  
(74) *Attorney, Agent, or Firm* — Bhole IP Law; Anil Bhole

(57) **CLAIM**  
The ornamental design for the hose reel cart, as shown and described.

**DESCRIPTION**

FIG. 1 is a front left plan view of a hose reel cart; FIG. 2 is a front right perspective view of the hose reel cart; FIG. 3 is a front left perspective view of the hose reel cart taken from above showing the unclaimed hose in the reeled position, and the unclaimed cable in the reeled position; FIG. 4 is a front view of the hose reel cart; FIG. 5 is a right side view of the hose reel cart; FIG. 6 is a rear view of the hose reel cart; FIG. 7 is a left side view of the hose reel cart; FIG. 8 is a top view of the hose reel cart; FIG. 9 is a bottom view of the hose reel cart; FIG. 10 is a rear right plan view of the hose reel cart; FIG. 11 is a front left plan view of the hose reel cart; and, FIG. 12 is a front view of the hose reel cart shown with unclaimed subject matter in broken lines in an alternate environment of use.  
The broken lines shown in the drawings depicts environmental subject matter only; the broken lines form no part of the claimed design.

**1 Claim, 12 Drawing Sheets**



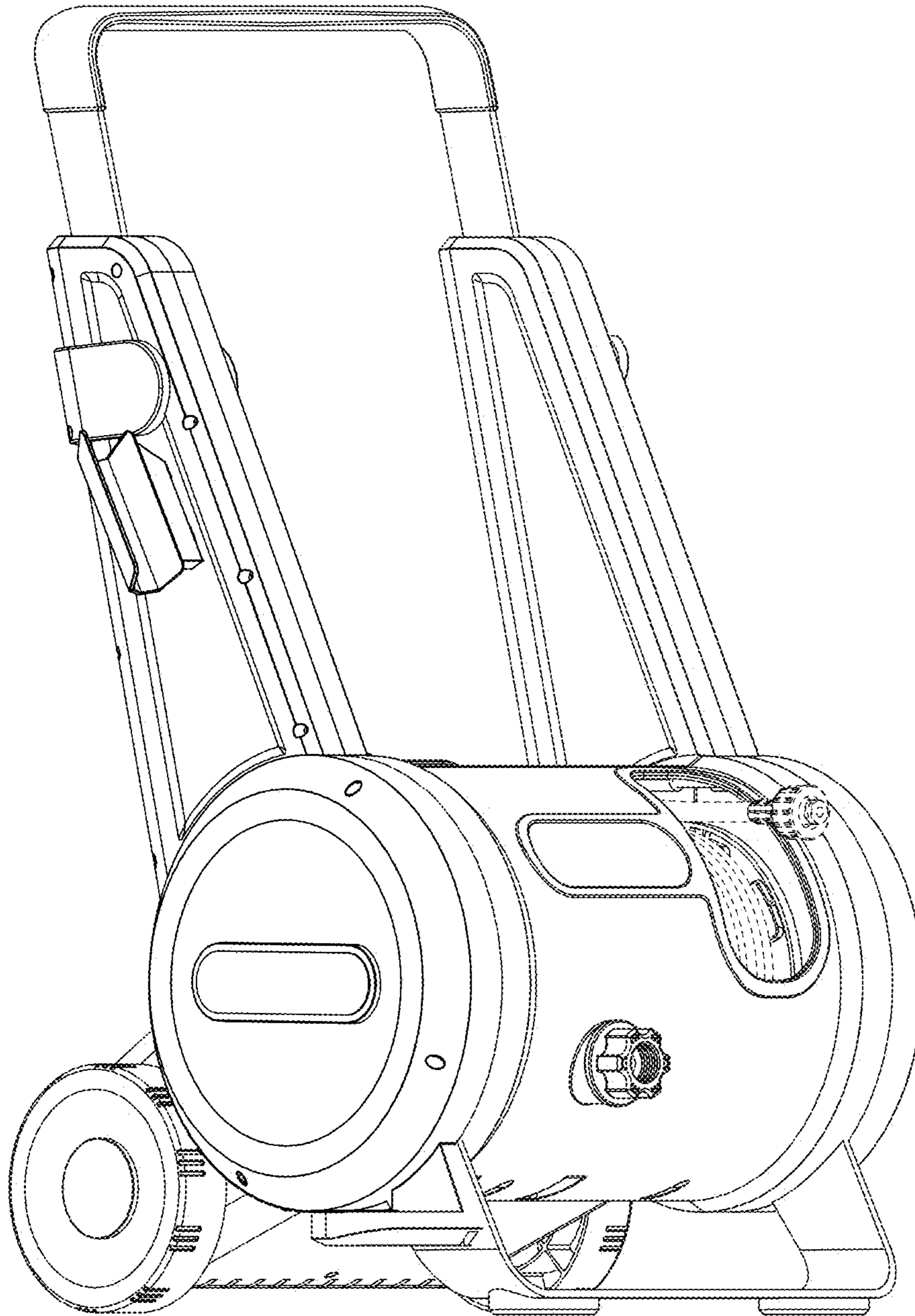


FIG. 1

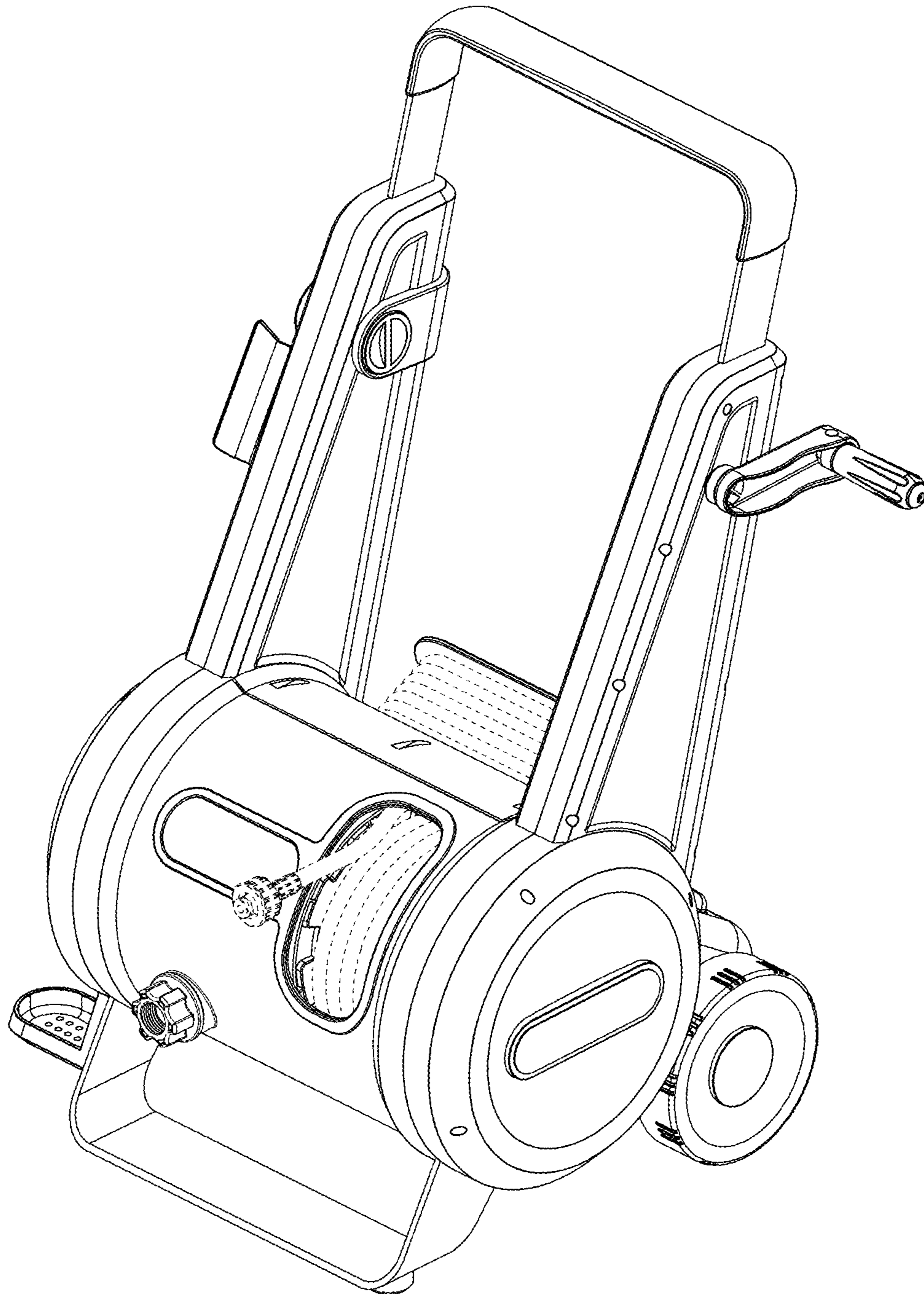


FIG. 2



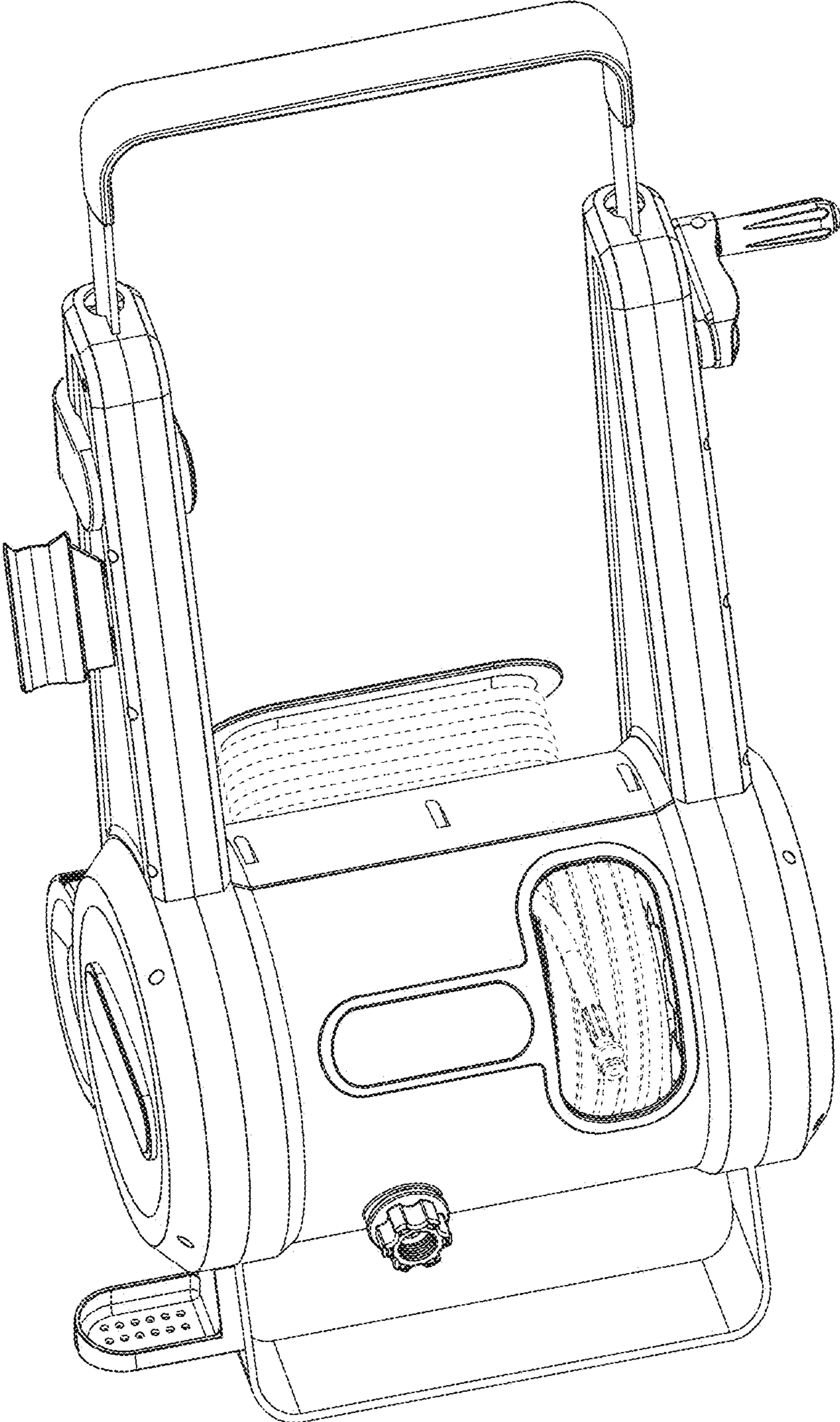


FIG. 3

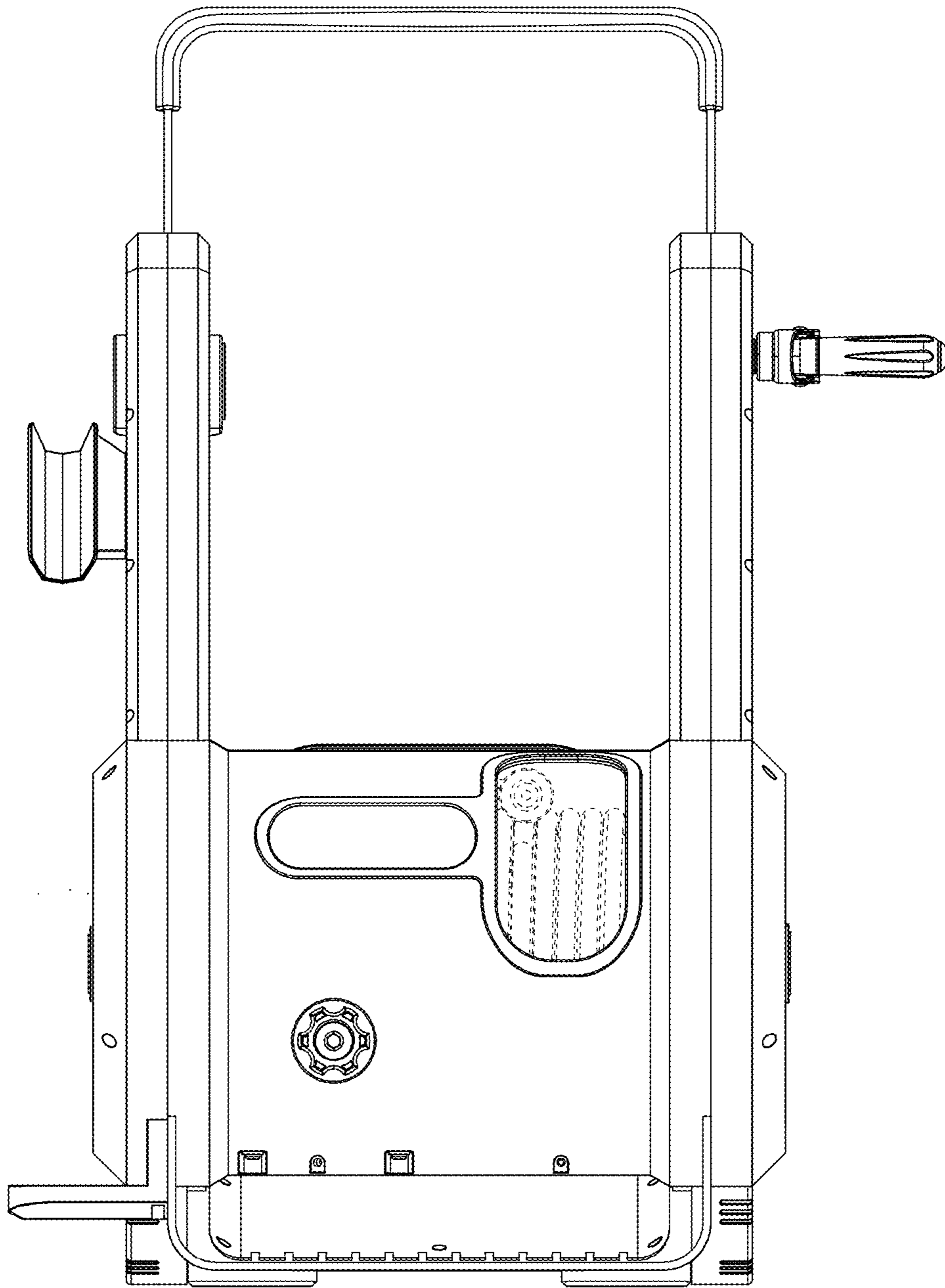


FIG. 4

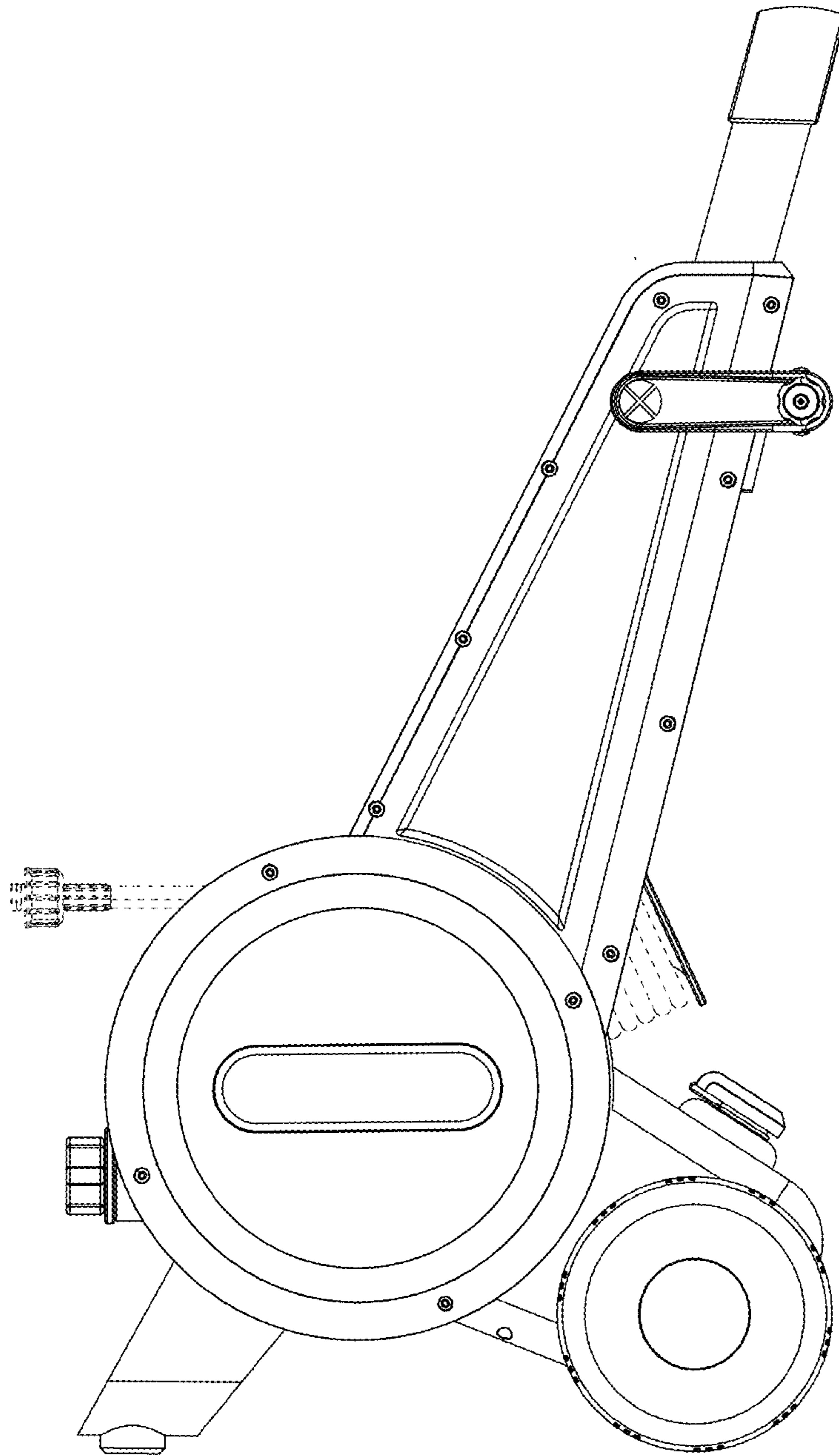


FIG. 5

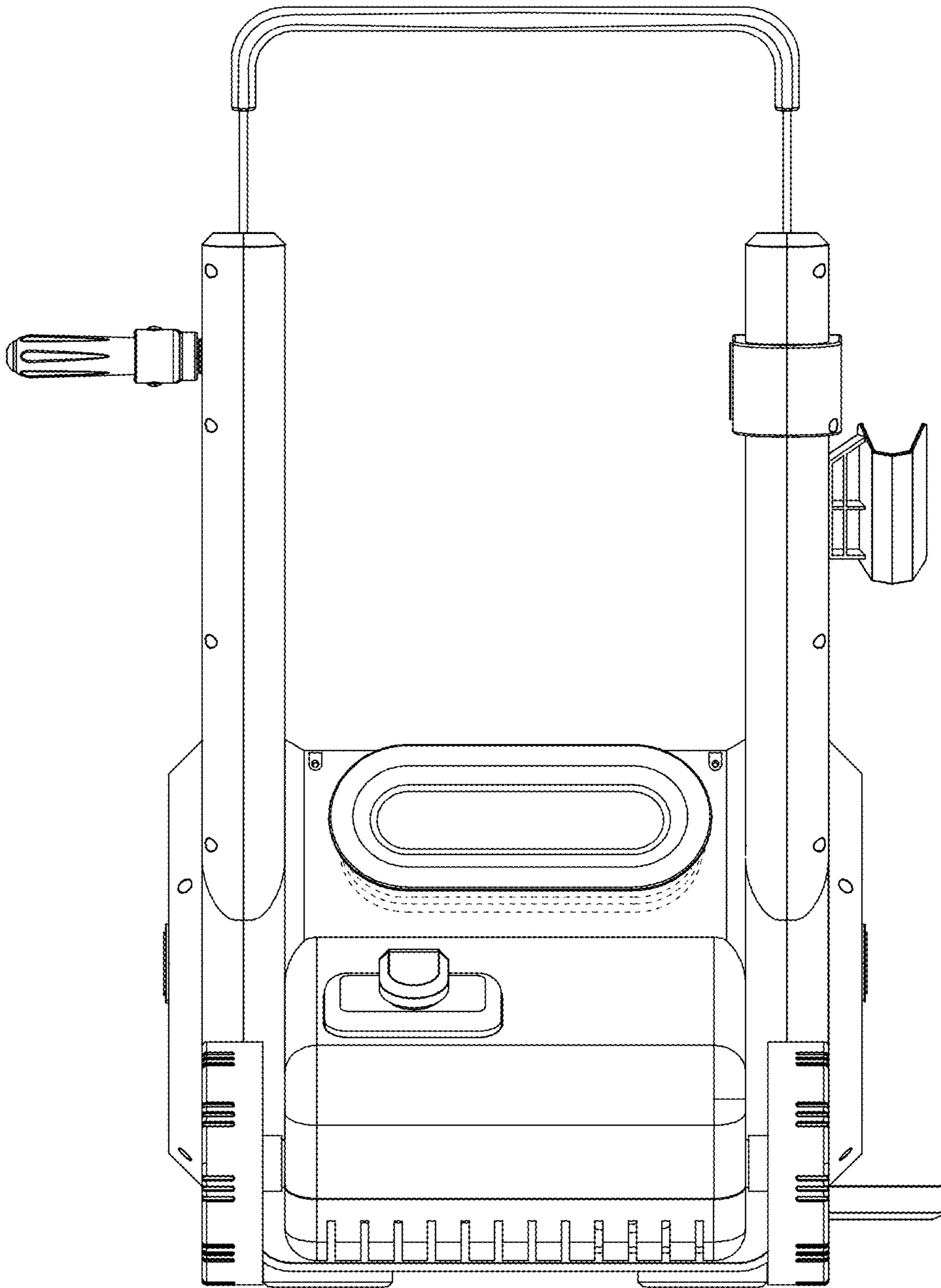


FIG. 6

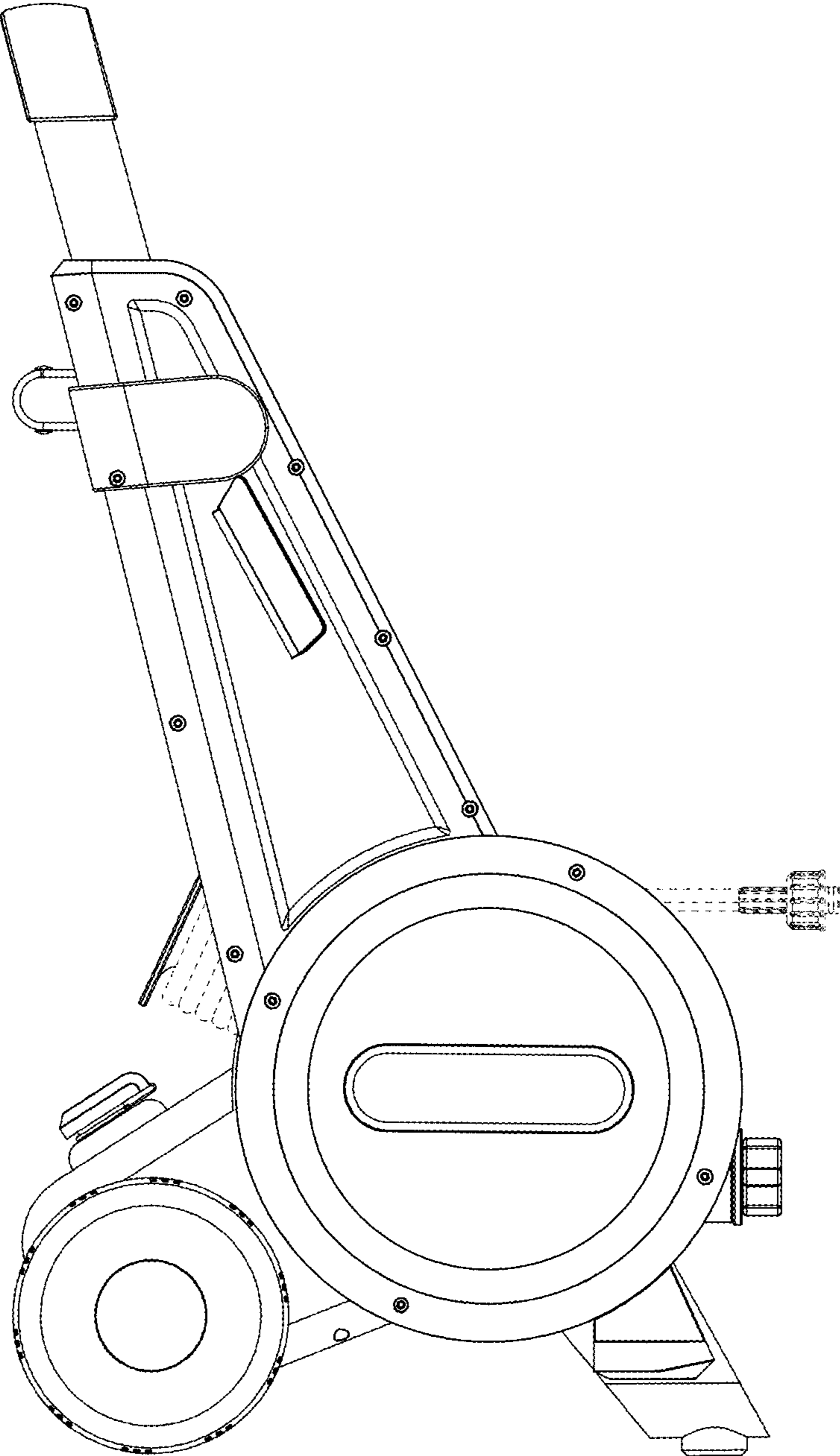


FIG. 7



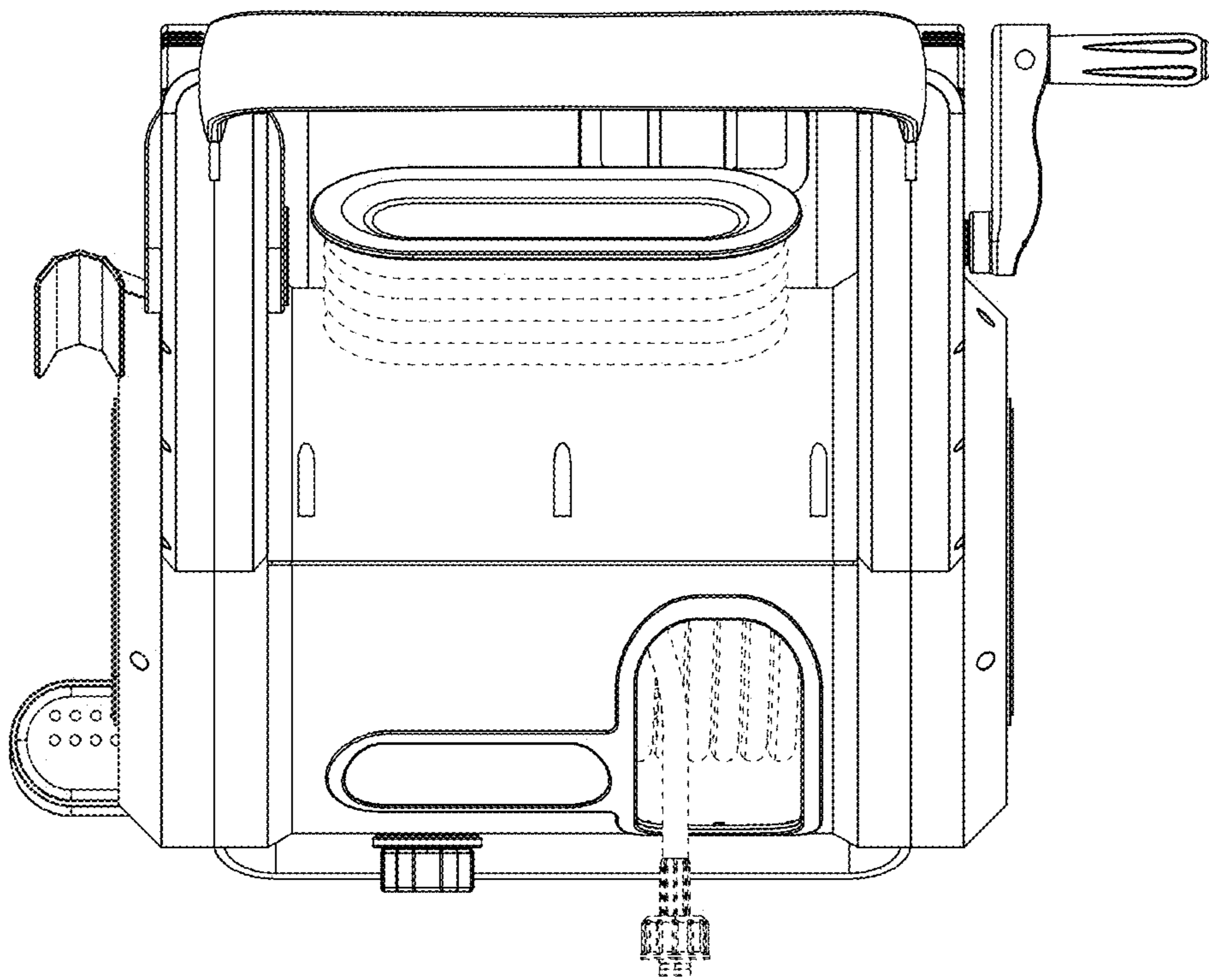


FIG. 8

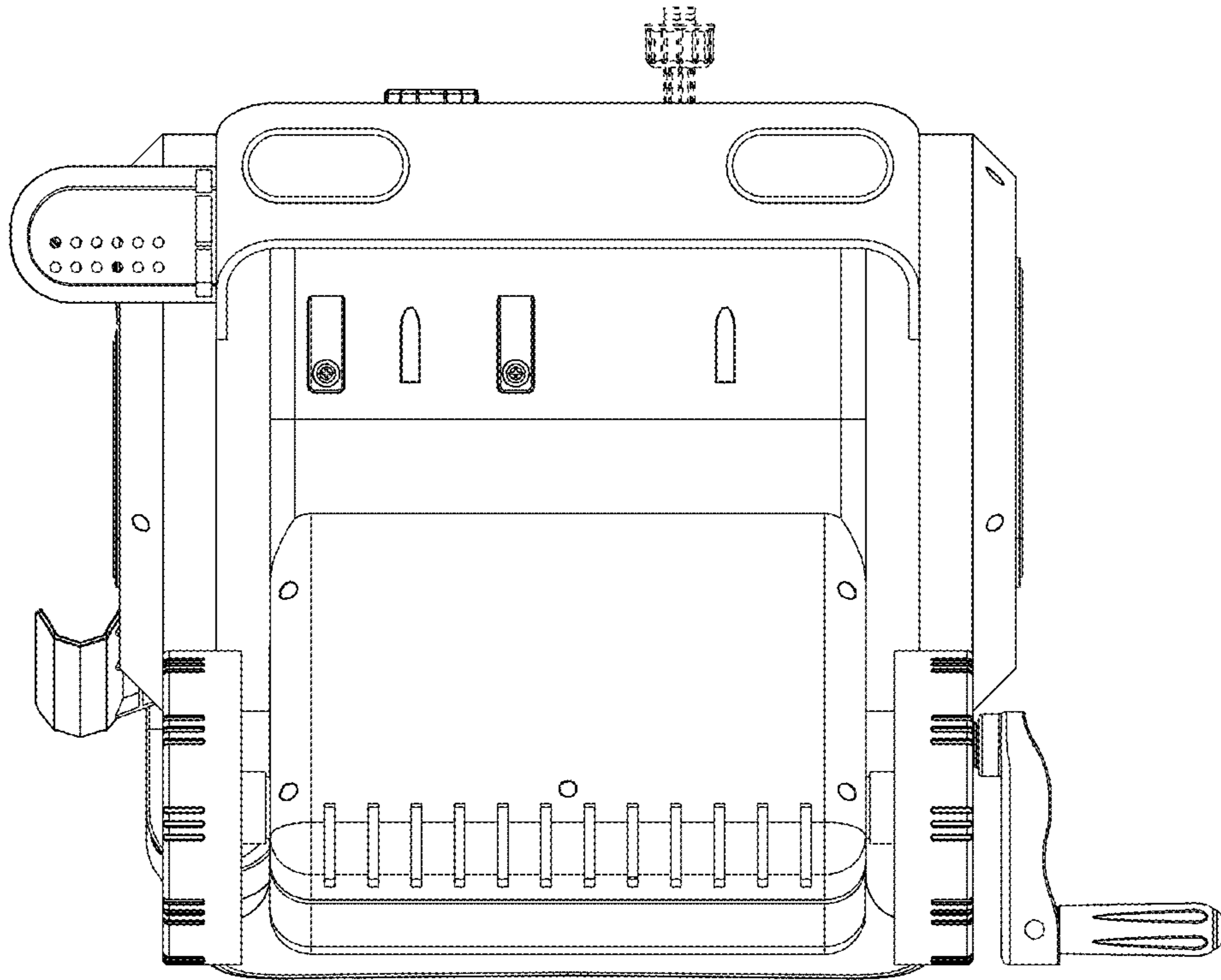


FIG. 9

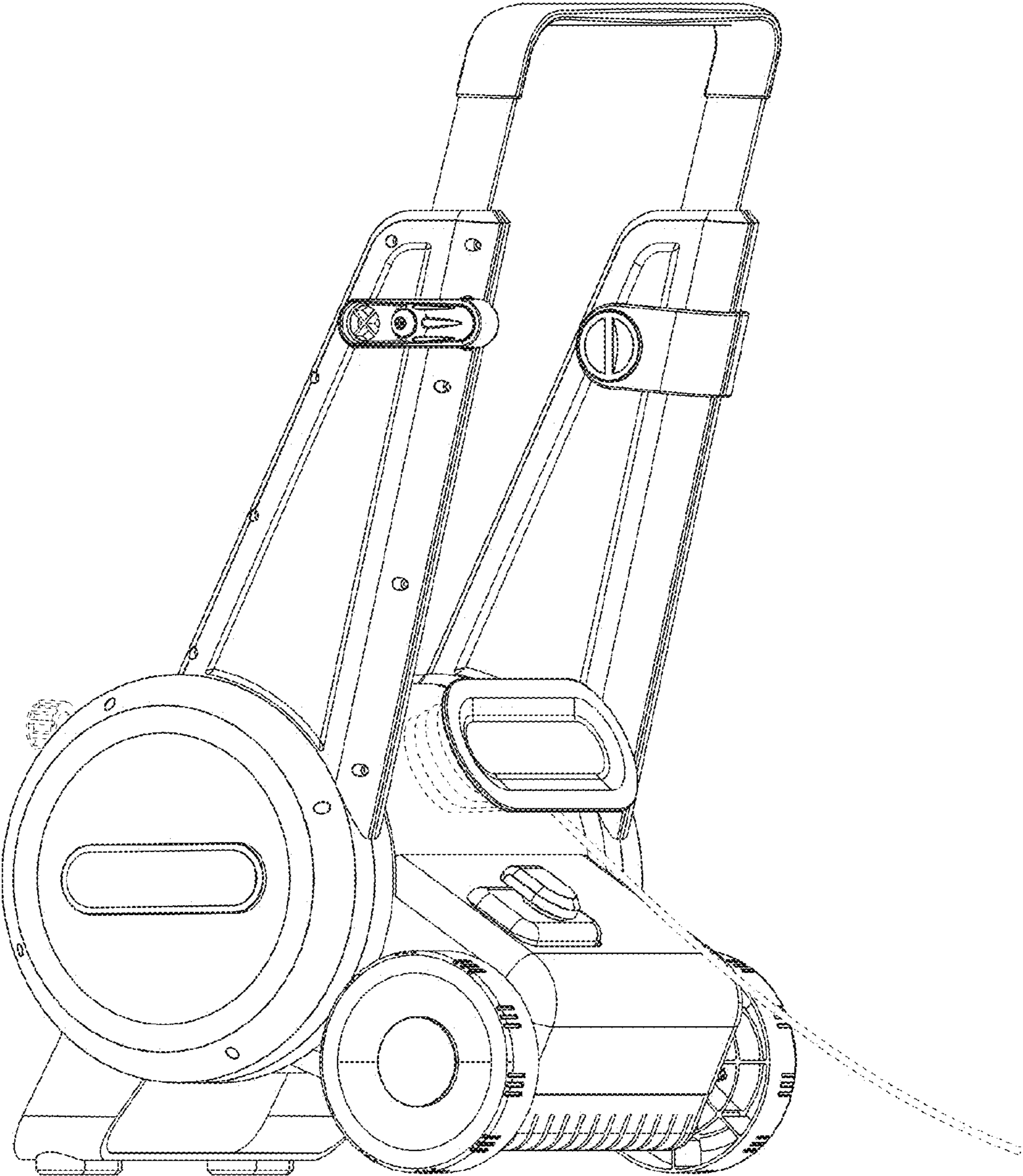


FIG. 10

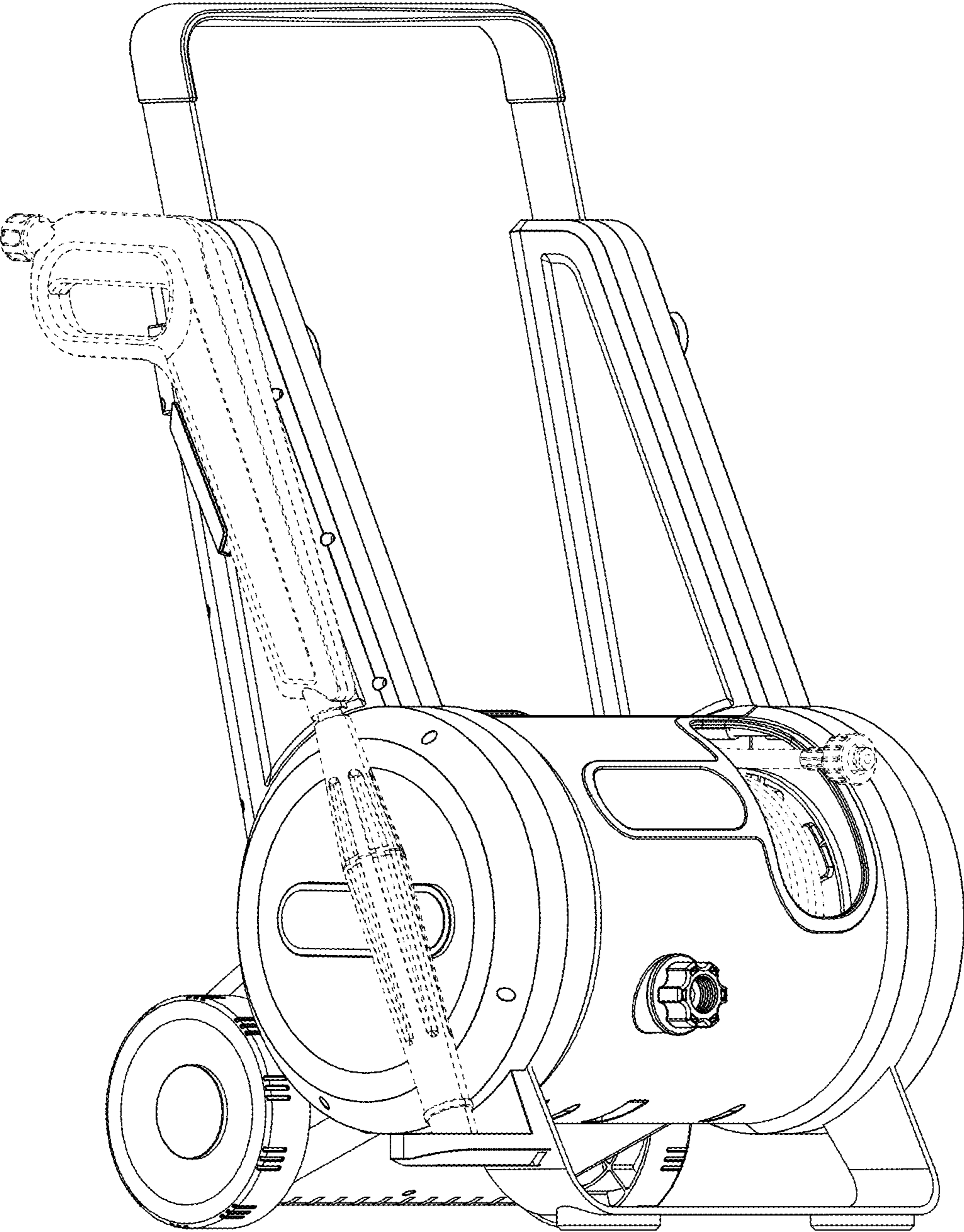


FIG. 11



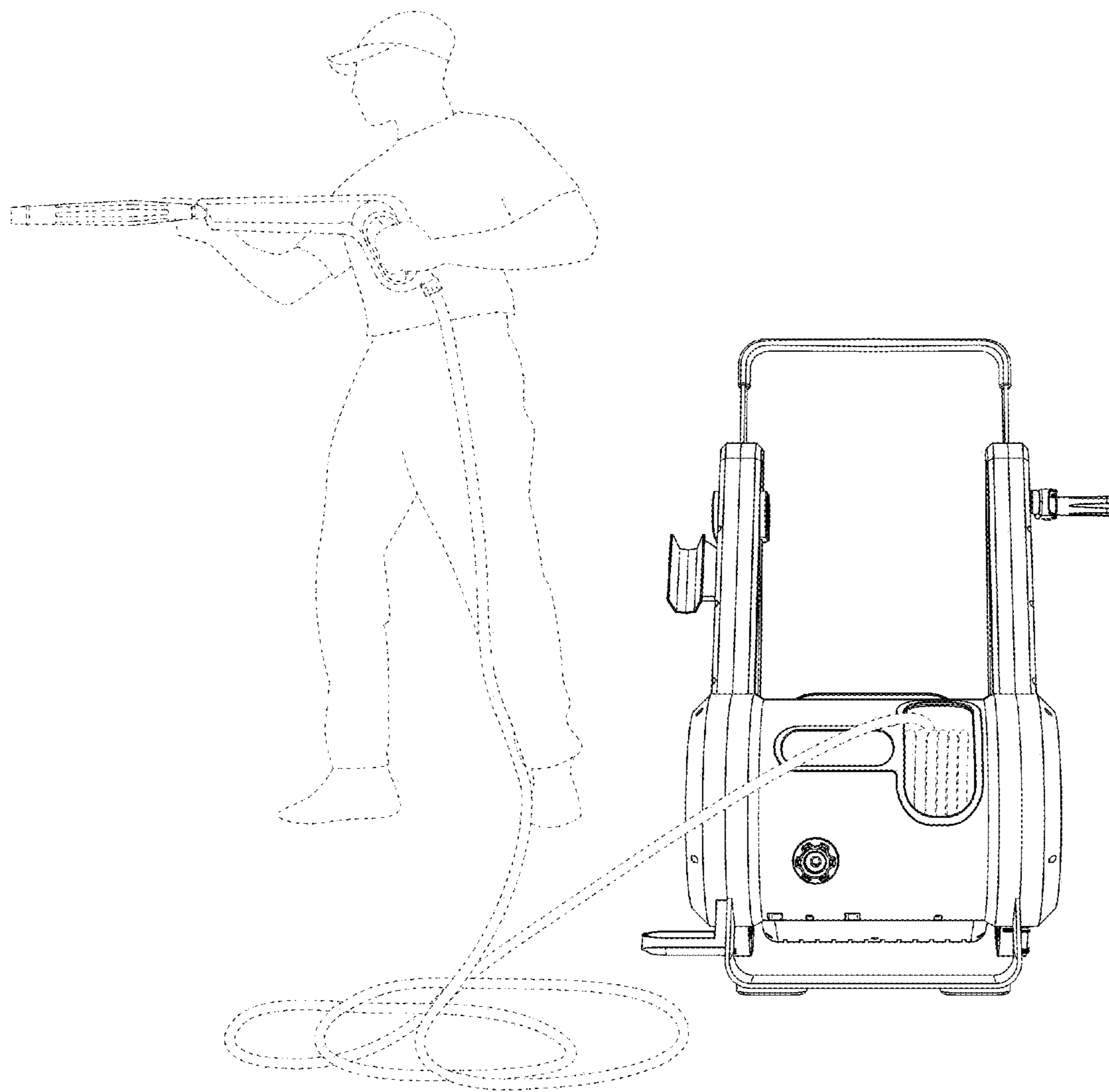


FIG. 12