



US00D752955S

(12) **United States Design Patent**  
**Rowan**

(10) **Patent No.:** **US D752,955 S**  
(45) **Date of Patent:** **\*\* Apr. 5, 2016**

- (54) **CORD HOLDER**
- (71) Applicant: **Mark David Rowan**, Nashville, TN  
(US)
- (72) Inventor: **Mark David Rowan**, Nashville, TN  
(US)
- (73) Assignee: **Griffin Technology, Inc.**, Nashville, TN  
(US)
- (\*\*) Term: **14 Years**
- (21) Appl. No.: **29/514,543**
- (22) Filed: **Jan. 13, 2015**
- (51) **LOC (10) Cl.** ..... **08-05**
- (52) **U.S. Cl.**  
USPC ..... **D8/356**
- (58) **Field of Classification Search**  
USPC ..... D8/356, 354, 349, 367; D11/218  
CPC ..... F16B 1/00; F16B 2/20; Y10T 24/45199;  
B60N 2/26; F16G 1/00; H02G 3/24  
See application file for complete search history.

- D679,581 S \* 4/2013 Liu ..... D8/395
- D691,874 S \* 10/2013 Ganski ..... D8/356
- D691,877 S \* 10/2013 Ganski ..... D8/356
- 8,602,370 B2 \* 12/2013 McKenzie ..... A47G 25/1442  
248/215
- D708,052 S \* 7/2014 Symons ..... D8/394
- D709,359 S \* 7/2014 Symons ..... D8/396
- D711,725 S \* 8/2014 Bainbridge ..... D8/356
- 8,793,842 B2 \* 8/2014 Donovan ..... F16G 11/14  
24/115 N
- D737,797 S \* 9/2015 Roggenkamp ..... D14/205
- D741,701 S \* 10/2015 McNeil ..... D8/356
- D741,807 S \* 10/2015 Kim ..... D13/133
- 2010/0148018 A1 \* 6/2010 Schoenau ..... F16L 5/14  
248/74.4

\* cited by examiner

*Primary Examiner* — Cynthia Underwood  
(74) *Attorney, Agent, or Firm* — Hornkohl Intellectual  
Property Law, PLLC; Jason L. Hornkohl

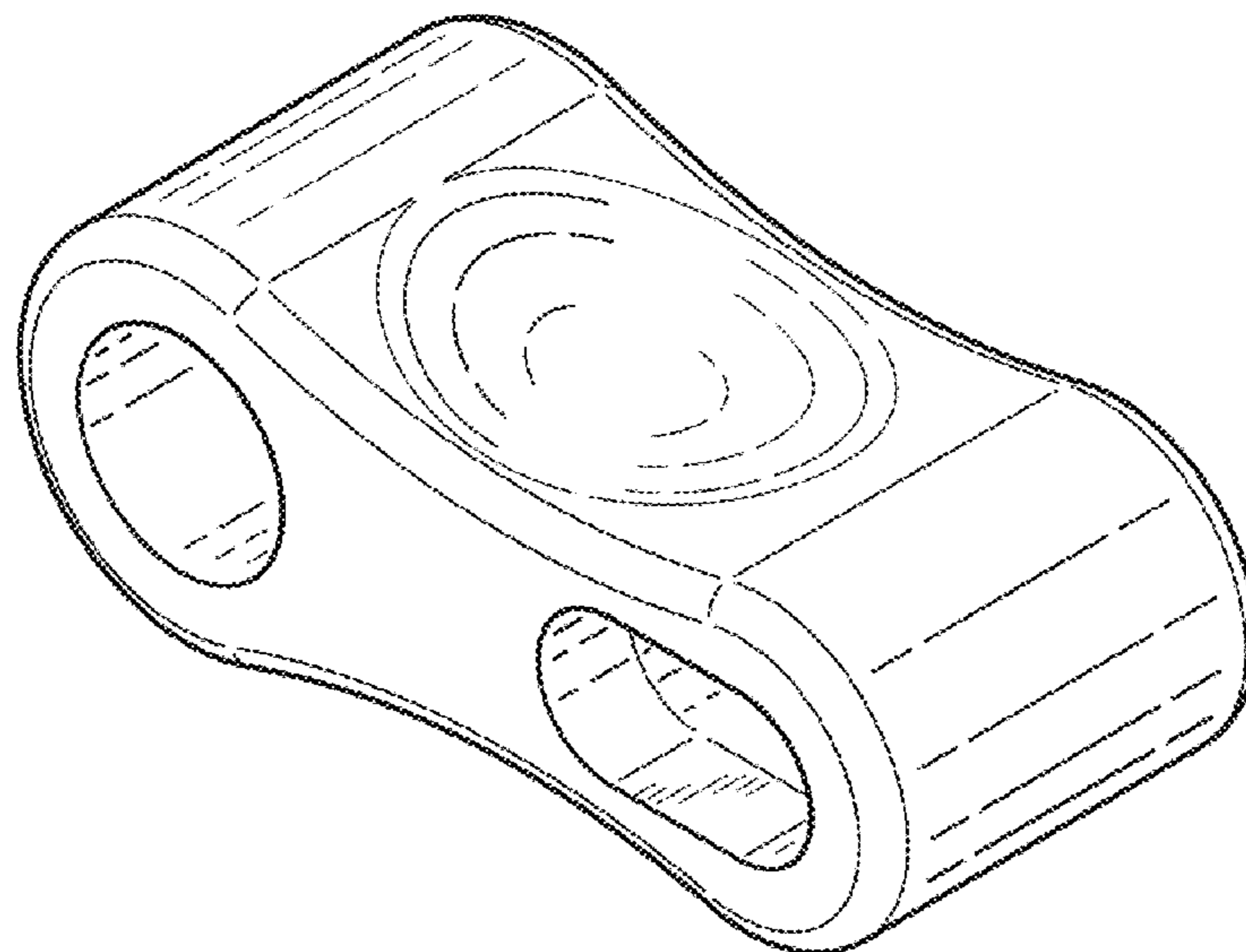
(57) **CLAIM**  
The ornamental design for a cord holder, as shown and  
described.

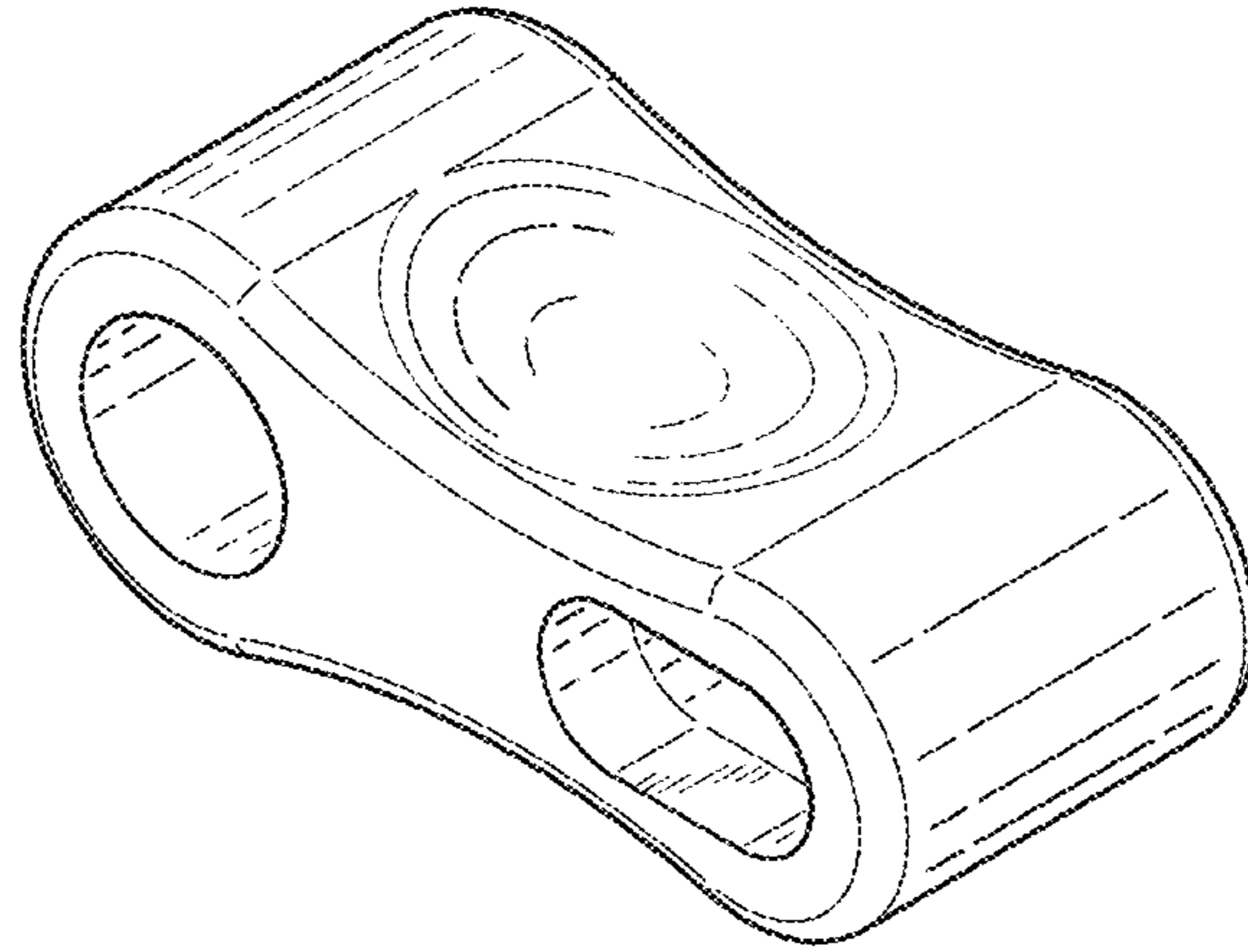
**DESCRIPTION**

FIG. 1 is an isometric front view of the new design for a cord holder;  
FIG. 2 is an isometric back view of the new design for a cord holder;  
FIG. 3 is a top view of the cord holder;  
FIG. 4 is a left side view of the cord holder;  
FIG. 5 is a front view of the cord holder;  
FIG. 6 is a right side view of the cord holder;  
FIG. 7 is a bottom view of the cord holder; and,  
FIG. 8 is a back view of the cord holder.  
The dashed lines are for illustration purposes only, and form no part of the claimed design.

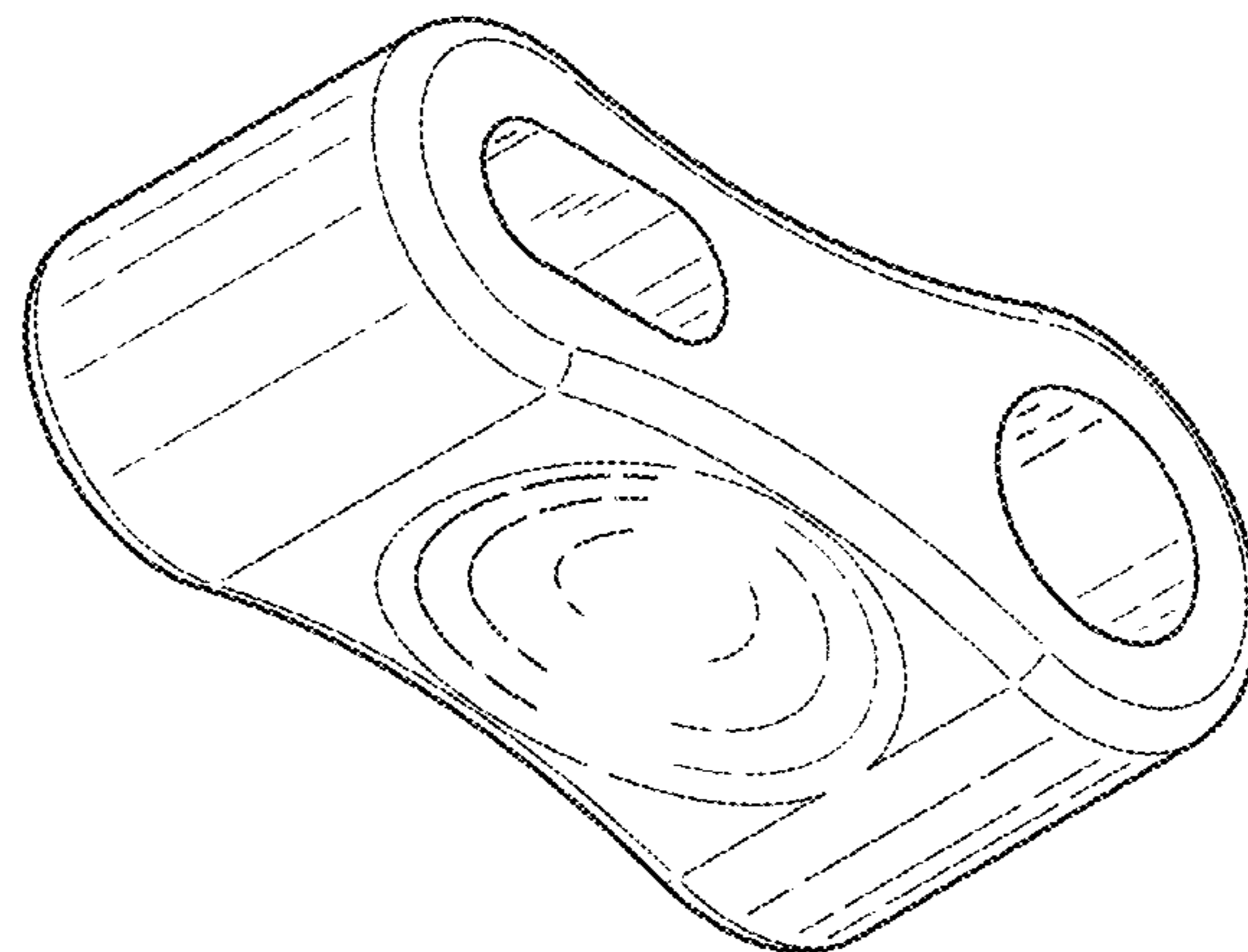
**1 Claim, 2 Drawing Sheets**

- (56) **References Cited**  
U.S. PATENT DOCUMENTS
- D229,668 S \* 12/1973 Boone ..... D8/358
- D372,420 S \* 8/1996 Mendez ..... D8/356
- D494,450 S \* 8/2004 Schultz ..... D8/356
- D512,904 S \* 12/2005 Thaler ..... D8/356
- D534,065 S \* 12/2006 Andre ..... D14/205
- D537,332 S \* 2/2007 Nagle ..... D8/396
- H2203 H \* 10/2007 Borchardt ..... D8/396
- D577,990 S \* 10/2008 Andre ..... D14/205
- D605,032 S \* 12/2009 Bushey ..... D8/402
- D632,030 S \* 2/2011 Lumsden ..... D30/138
- D635,447 S \* 4/2011 Henry ..... D8/356
- D648,685 S \* 11/2011 Symons ..... D13/155
- D652,710 S \* 1/2012 Yokota ..... D8/356





*FIG. 1*



*FIG. 2*

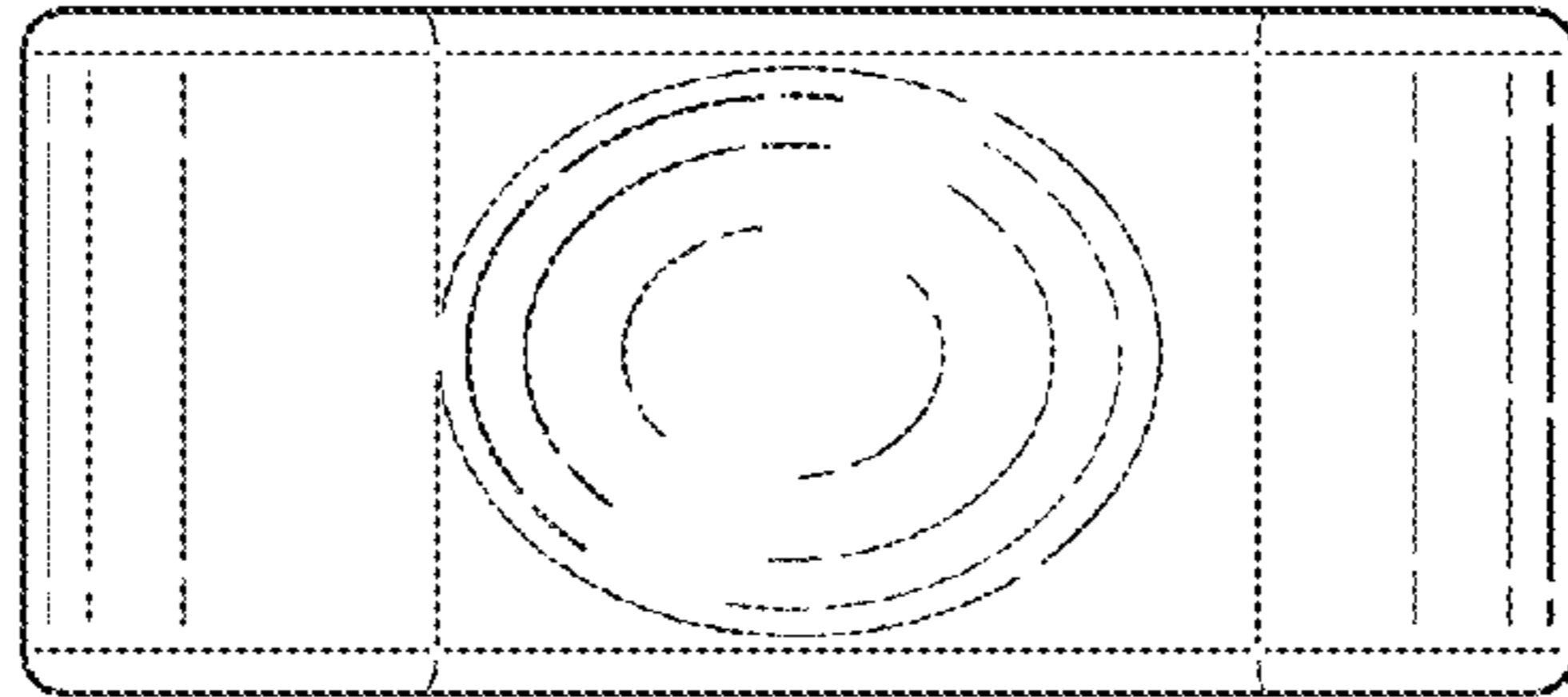


FIG. 3

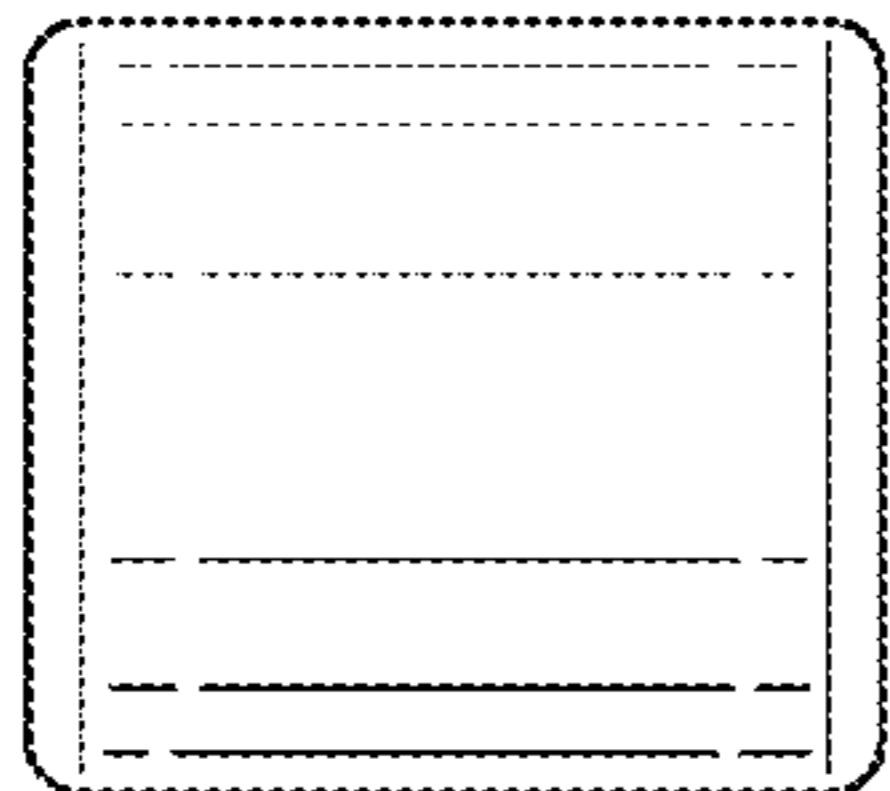


FIG. 4

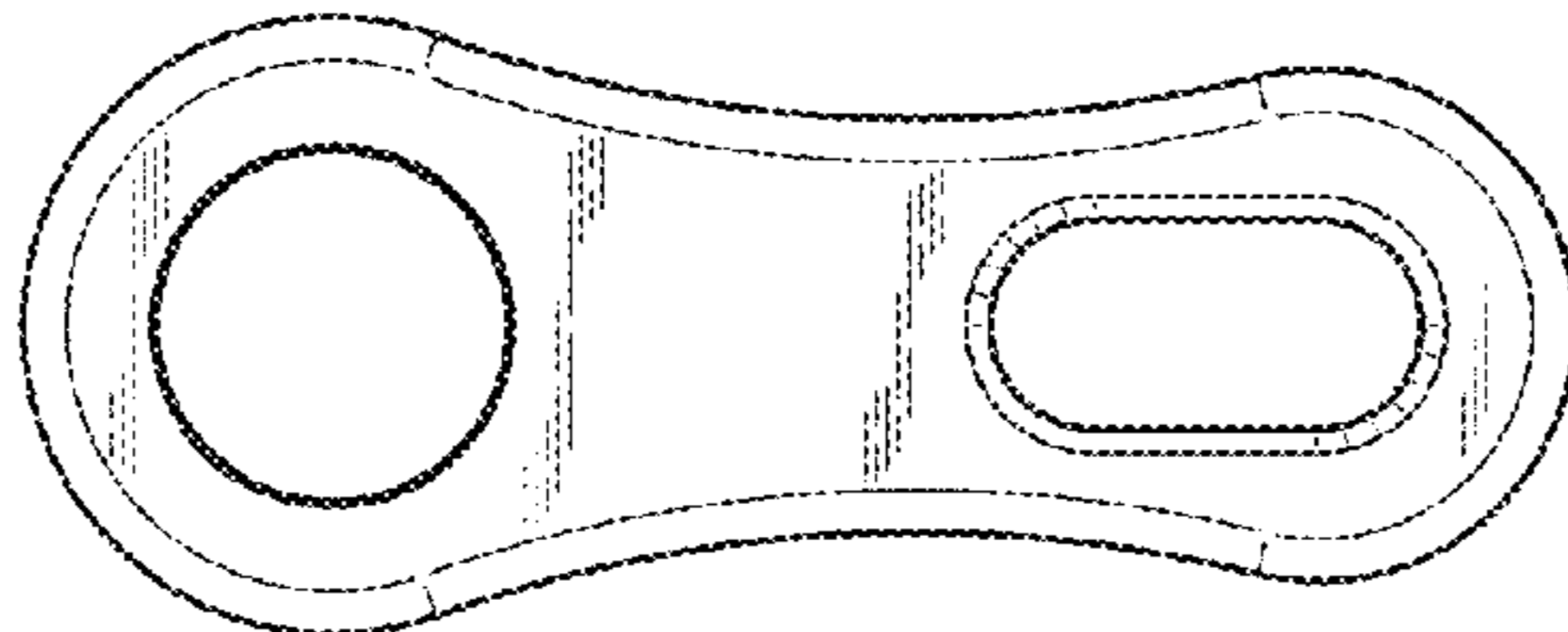


FIG. 5

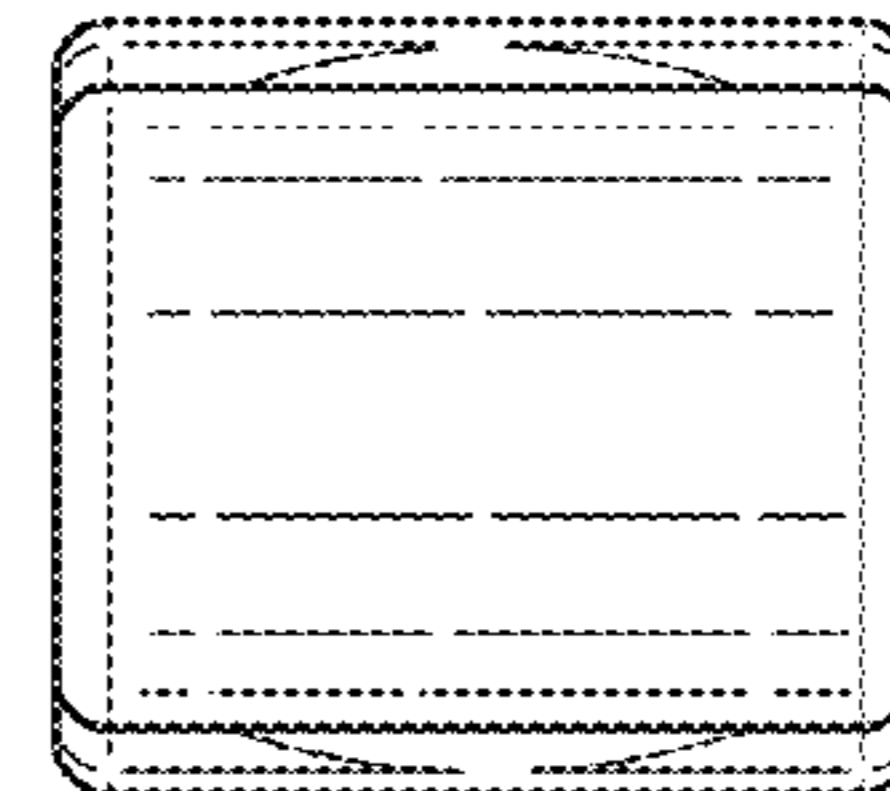


FIG. 6

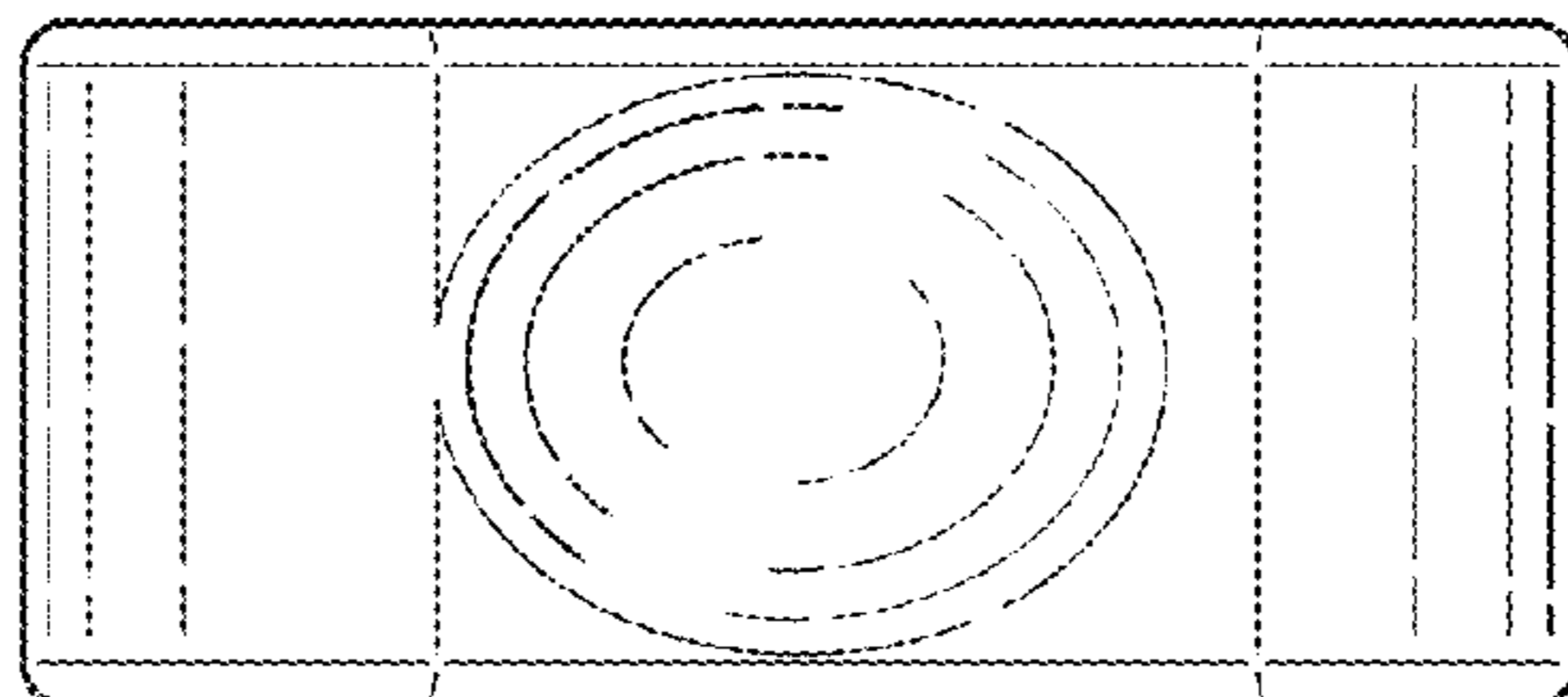


FIG. 7

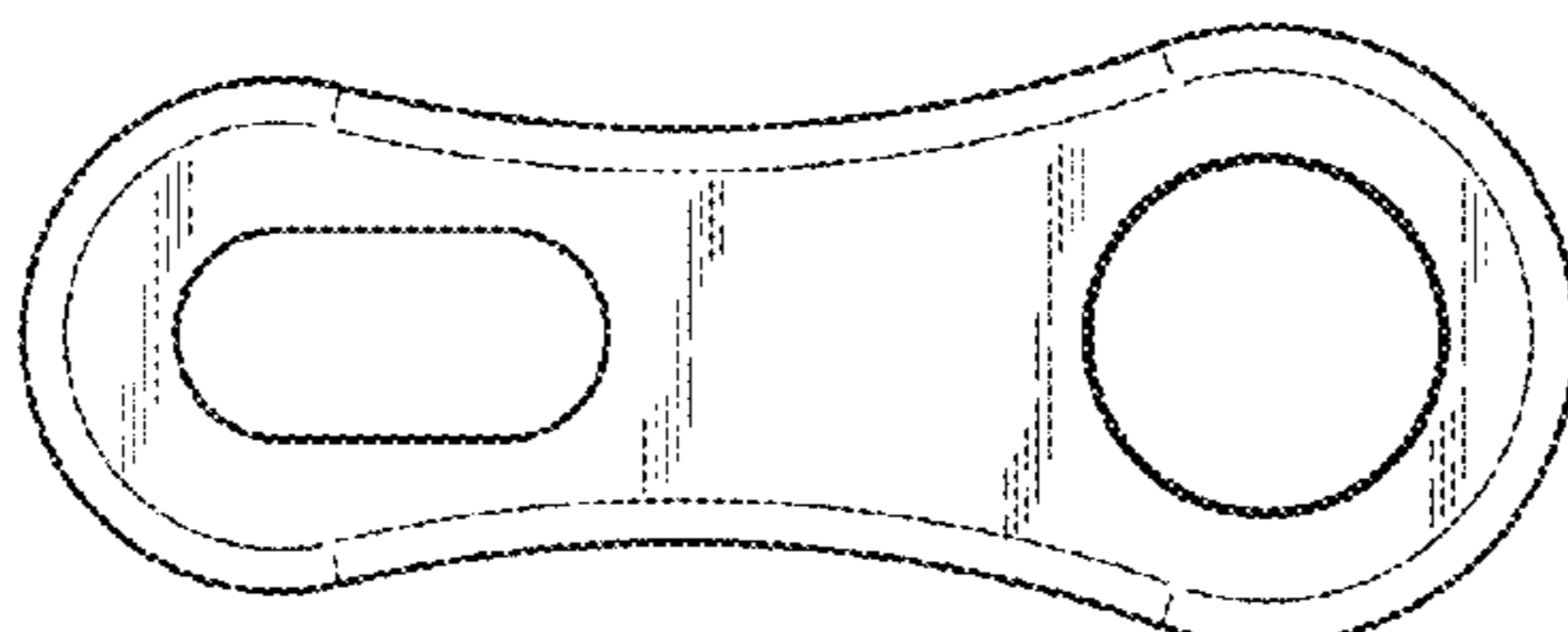


FIG. 8