



US00D752954S

(12) **United States Design Patent**
Lax et al.

(10) **Patent No.:** **US D752,954 S**
(45) **Date of Patent:** **** Apr. 5, 2016**

(54) **MOUNTING BRACKET FOR TUNNEL LIGHT**

(71) Applicant: **Clear-Vu Lighting LLC**, Central Islip, NY (US)

(72) Inventors: **Daniel A. Lax**, Roslyn, NY (US); **Agiah I. Libohova**, East Setauket, NY (US); **Timothy J. Keuning**, Northport, NY (US); **Roy Jacob**, Wantagh, NY (US); **Michael Lax**, Laurel Hollow, NY (US)

(73) Assignee: **Clear-Vu Lighting LLC**, Central Islip, NY (US)

(**) Term: **14 Years**

(21) Appl. No.: **29/502,349**

(22) Filed: **Sep. 15, 2014**

(51) **LOC (10) Cl.** **08-05**

(52) **U.S. Cl.**
USPC **D8/354**

(58) **Field of Classification Search**
USPC D8/349, 354-355, 373, 380, 382-383, D8/394, 396; D13/102, 118, 149, 154, D13/155, 184, 199; D21/484, 500, 504; D25/119, 123, 124, 125
CPC F21S 4/001; F21S 9/024; F21V 17/107; F21V 17/12; F21V 17/18; F21V 21/08; F21V 21/40; F21V 23/023; F21W 2121/004; F21W 2131/101; F21Y 2101/02
See application file for complete search history.

(56) **References Cited**

U.S. PATENT DOCUMENTS

4,369,487 A 1/1983 Carlow
4,905,131 A * 2/1990 Gary F21S 4/001
248/315
D329,372 S * 9/1992 Wilms D8/363
D330,479 S * 10/1992 Stevens D6/518
D391,915 S * 3/1998 Miller D12/223

D406,050 S * 2/1999 DeSouza D8/363
D409,077 S * 5/1999 Brooks D8/354
6,072,708 A 6/2000 Fischer
D436,311 S * 1/2001 Edvardsson D8/382
6,283,621 B1 9/2001 Macri
D468,998 S * 1/2003 Zadak D8/19
D487,391 S * 3/2004 Balaban D8/354
D492,189 S * 6/2004 Weremchuk D8/354
7,140,742 B2 11/2006 Pohlert
7,229,185 B1 6/2007 Galvez
D608,181 S * 1/2010 Koizumi D8/354
D609,554 S * 2/2010 Koizumi D8/354
D672,287 S * 12/2012 Noble D12/159
D682,069 S * 5/2013 Lehane D8/349
D700,833 S * 3/2014 Ng D8/380
9,052,097 B2 * 6/2015 Blincoe F21V 17/107

(Continued)

OTHER PUBLICATIONS

Philips Lumileds Press Information, Jan. 23, 2007.

(Continued)

Primary Examiner — Rosemary K Tarcza

Assistant Examiner — Nathaniel D Buckner

(74) *Attorney, Agent, or Firm* — Zollinger & Burleson Ltd.

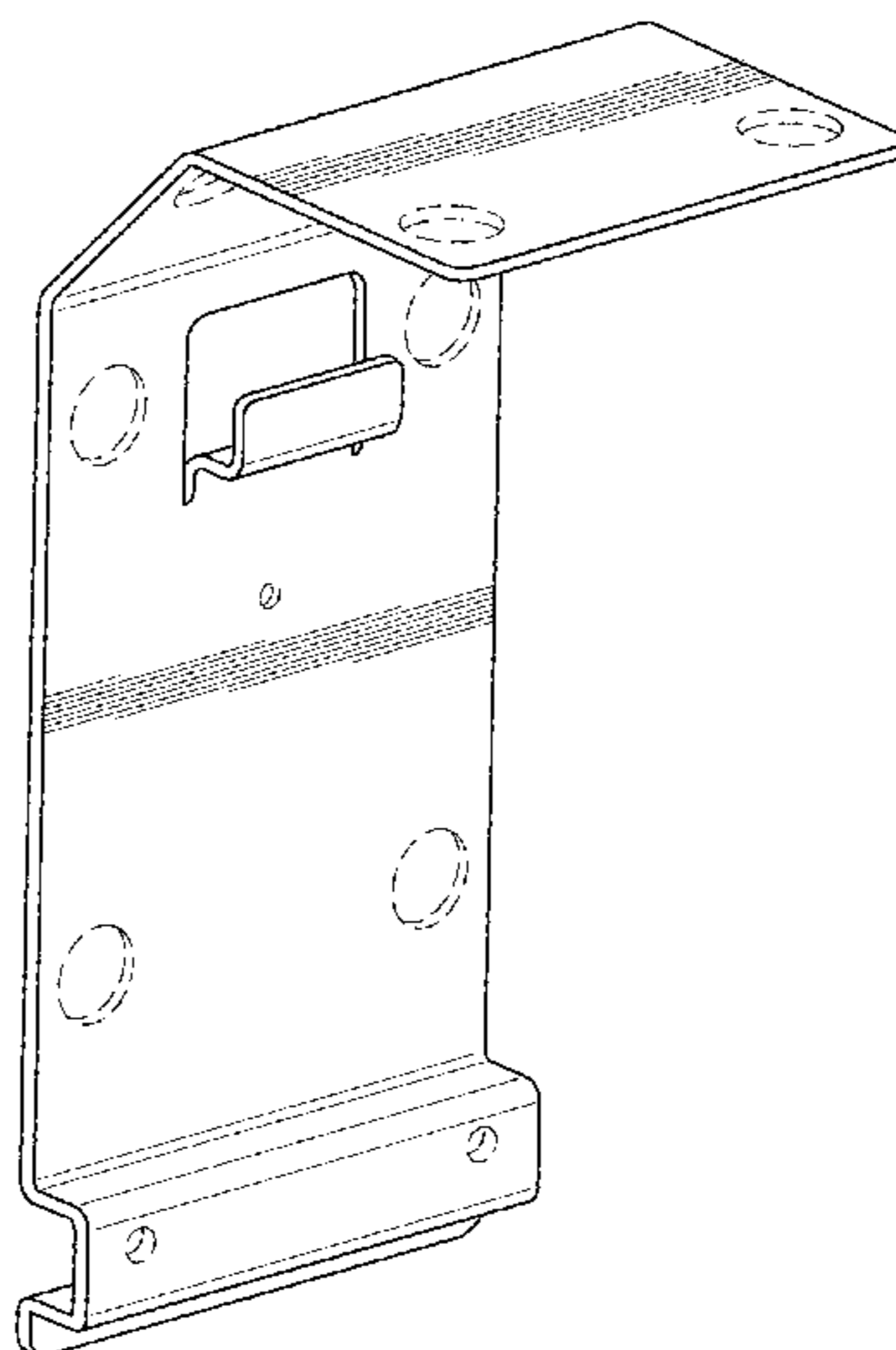
(57) **CLAIM**

The ornamental design for a mounting bracket for tunnel light, as shown and described.

DESCRIPTION

FIG. 1 is a perspective view of a first embodiment of the mounting bracket for tunnel light showing our new design; FIG. 2 is a front elevation view thereof; FIG. 3 is a rear elevation view thereof; FIG. 4 is a left side view thereof; FIG. 5 is a right side view thereof; FIG. 6 is a top plan view thereof; and, FIG. 7 is a bottom plan view thereof. The broken lines shown in the figures illustrate portions of the article that form no part of the claimed design.

1 Claim, 4 Drawing Sheets



(56)

References Cited

OTHER PUBLICATIONS

U.S. PATENT DOCUMENTS

D741,146 S * 10/2015 Delrue D14/447
2005/0174755 A1 8/2005 Becker
2006/0215422 A1 9/2006 Laizure
2007/0195527 A1 8/2007 Russell
2007/0274084 A1 11/2007 Kan et al.
2008/0212319 A1 9/2008 Klipstein
2010/0019690 A1 1/2010 Libohova et al.
2011/0058358 A1 3/2011 Soo et al.
2012/0007516 A1 1/2012 Lax
2012/0127702 A1 5/2012 Lax
2013/0201658 A1 8/2013 Bogart et al.
2015/0292695 A1 * 10/2015 Lax F21S 9/024
362/20

ProTran 1, 120 VAC LED Safety Light, Sep. 12, 2008.
ProTran 1, 1000VDC LED Safety Light, Sep. 12, 2008.
ProTran 1, 1000VDC White LED Portable Lamp Bank for MOW,
Dec. 20, 2008.
Lumescape, LED Product Catalogue 2008, Mar. 2008.
Clear-vu lighting Metroguide Pathlight, publication date unknown,
document includes date of Sep. 25, 2013.

* cited by examiner

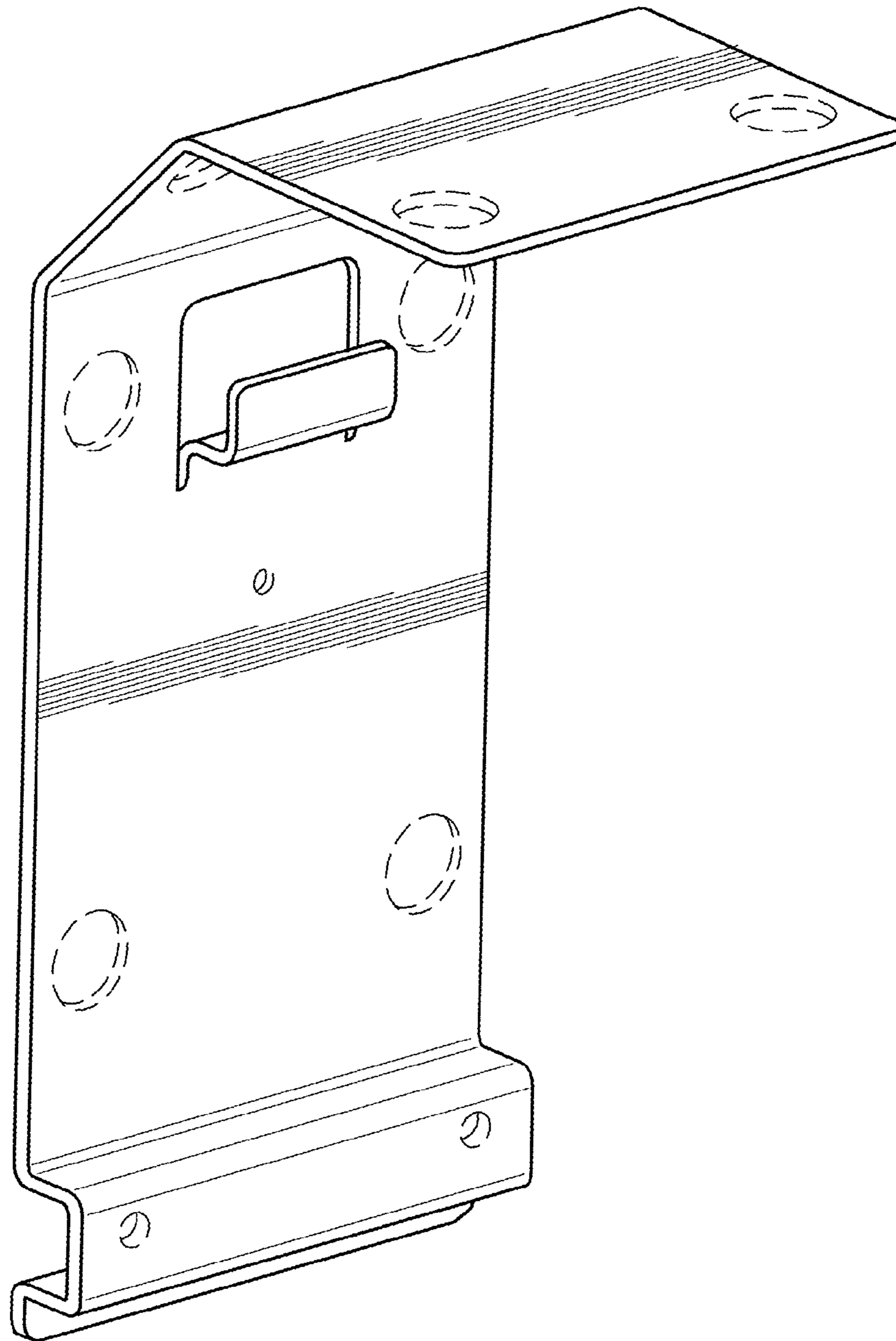


FIG. 1

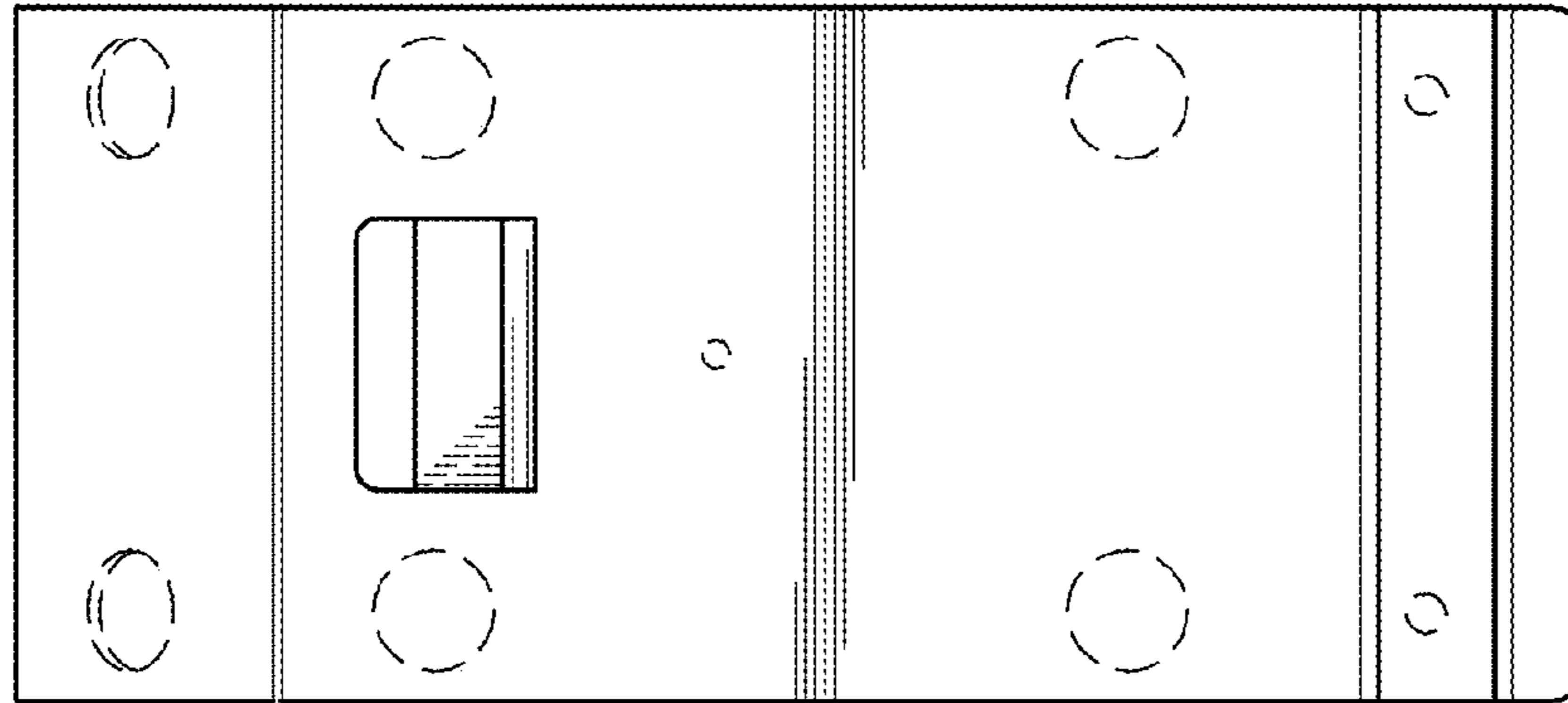


FIG. 3

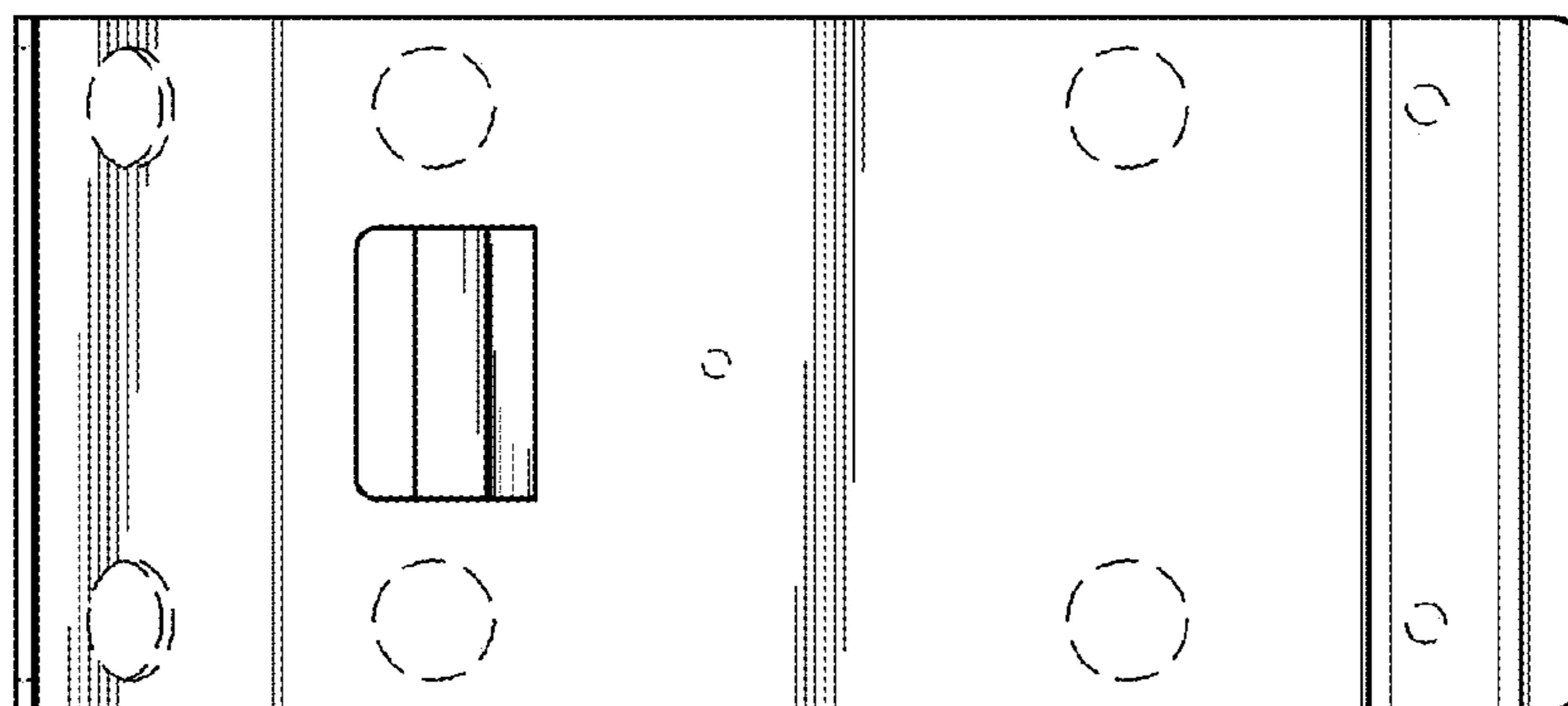


FIG. 2

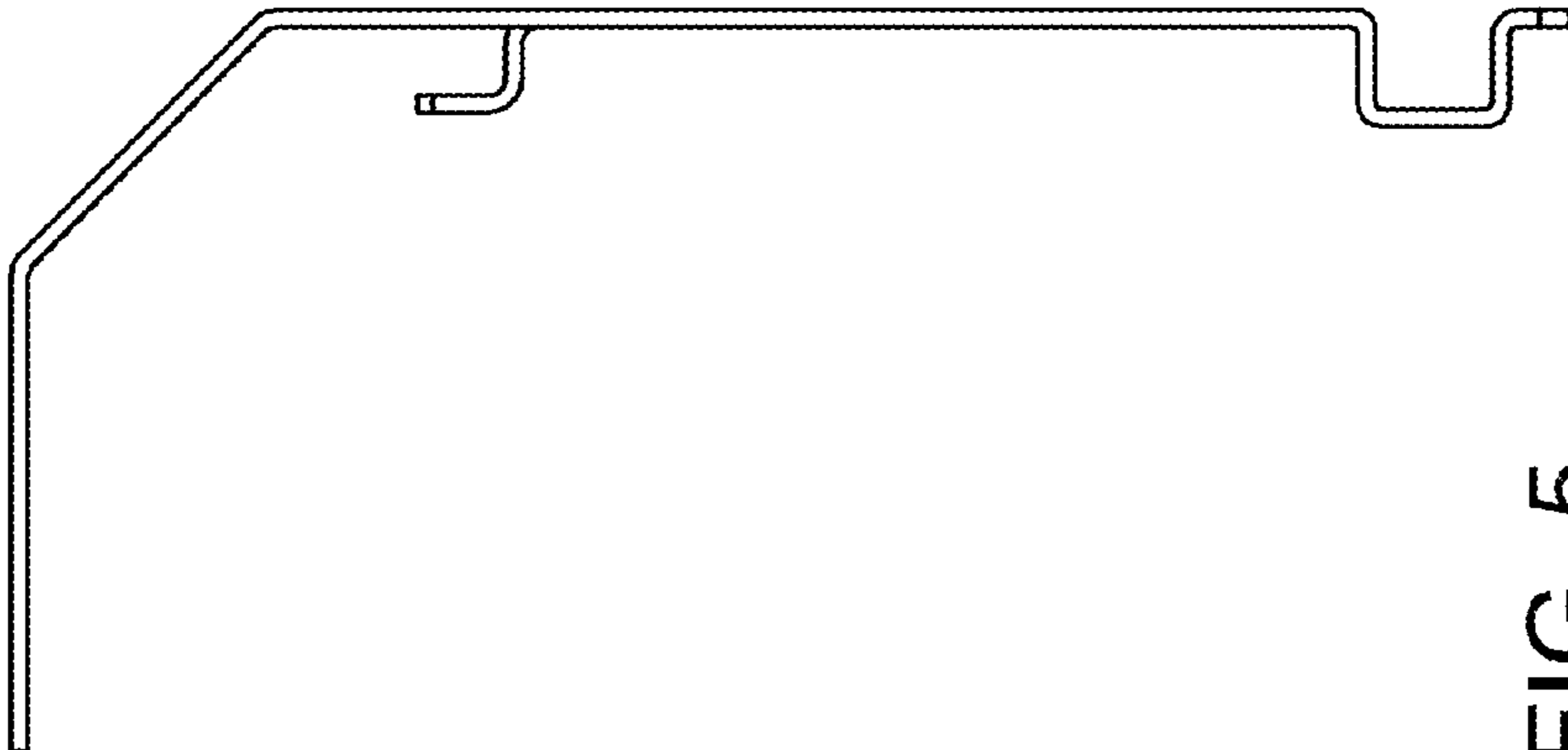


FIG. 5

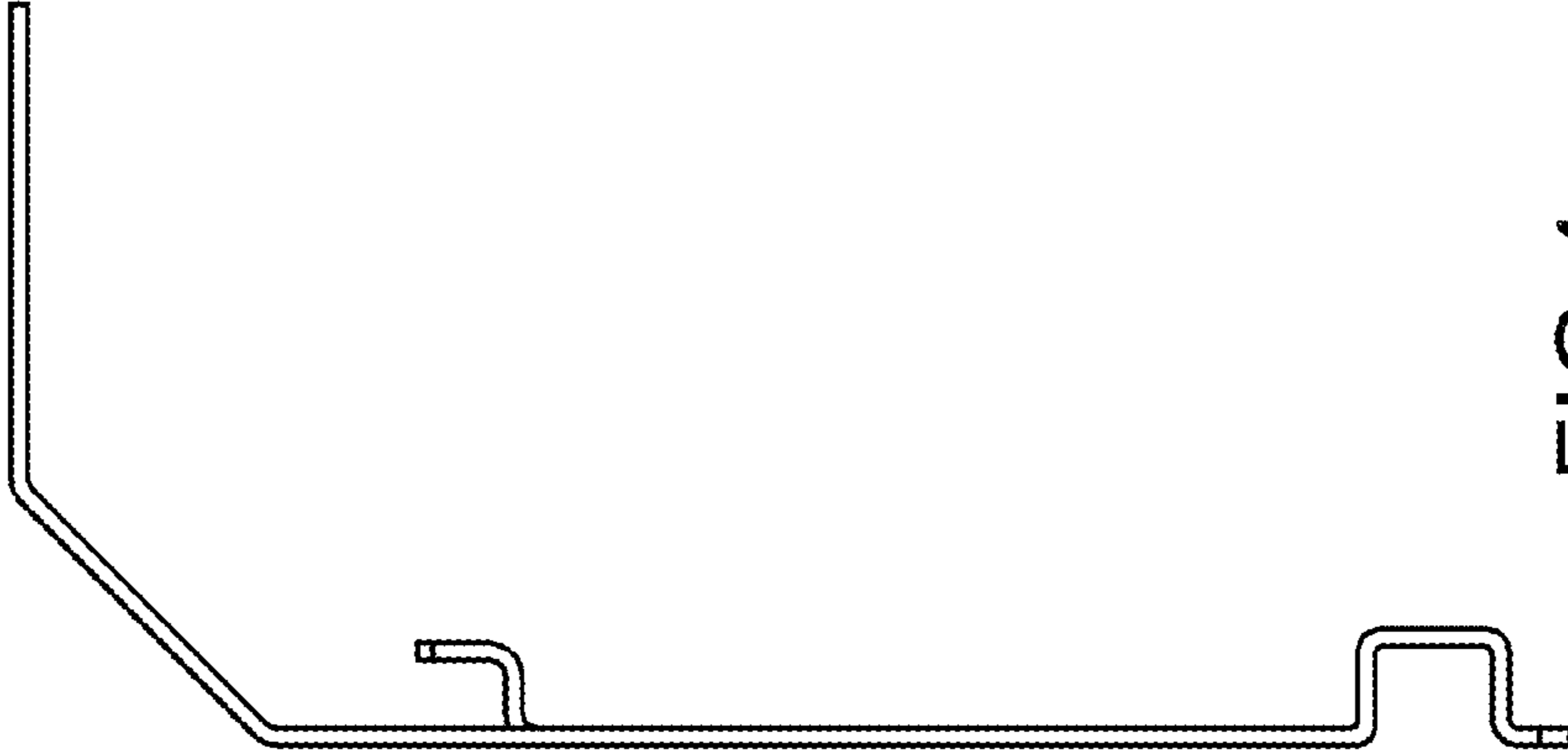


FIG. 4

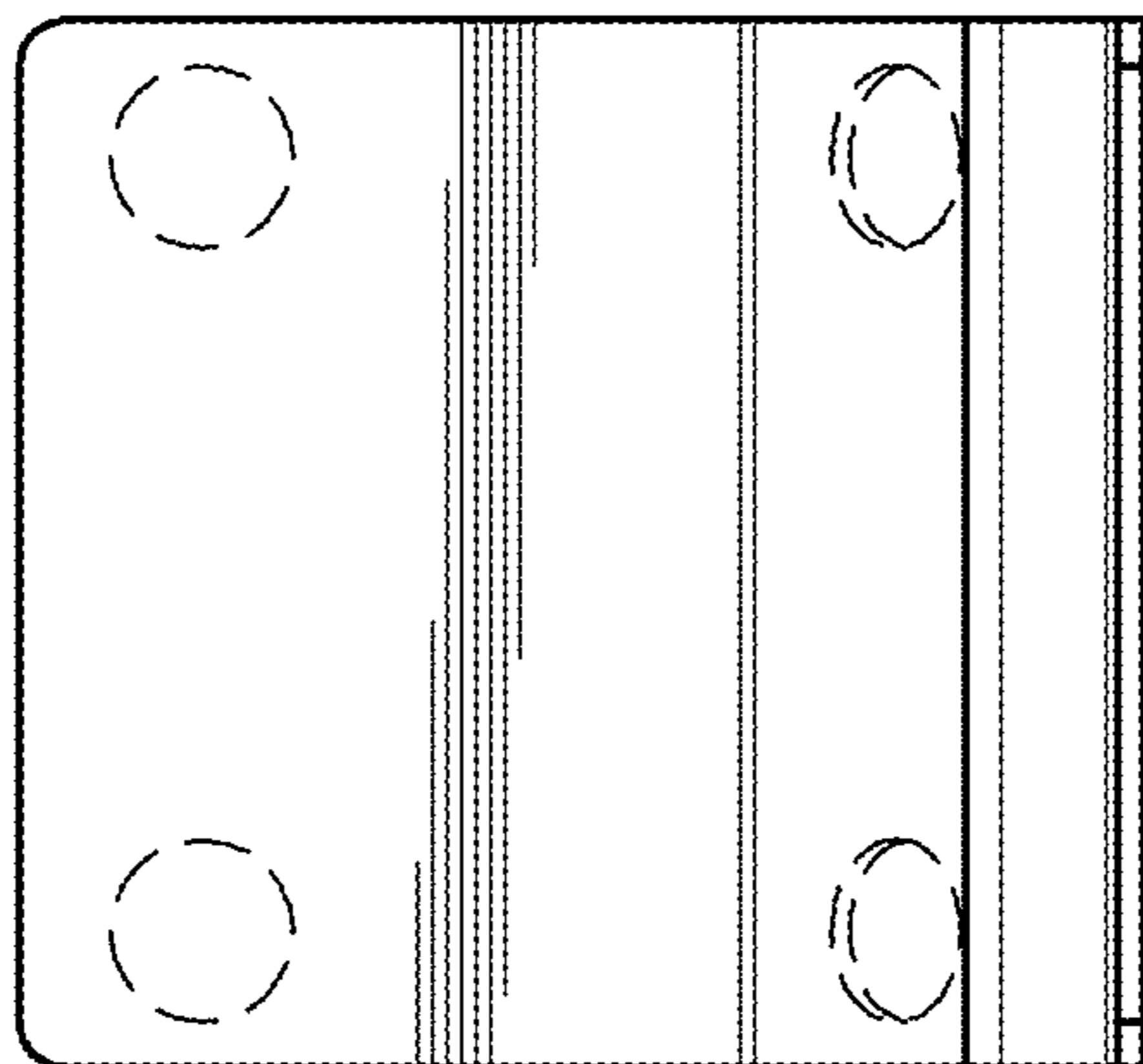


FIG. 7

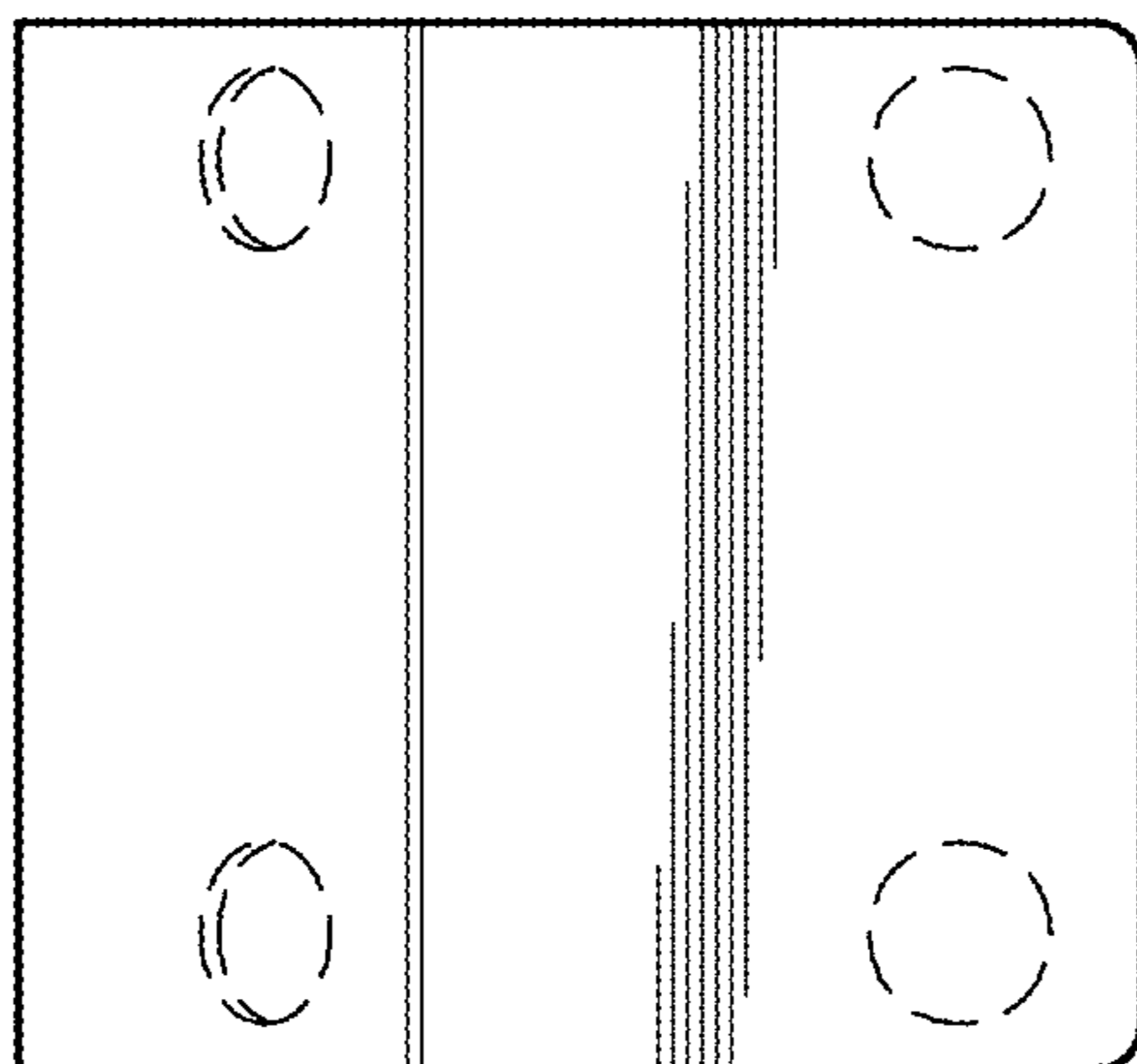


FIG. 6