



US00D752952S

(12) **United States Design Patent**
Barz

(10) **Patent No.:** **US D752,952 S**
(45) **Date of Patent:** **** Apr. 5, 2016**

(54) **FASTENER**

(71) Applicant: **Zephyros, Inc.**, Romeo, MI (US)

(72) Inventor: **Bill Barz**, St. Clair, MI (US)

(73) Assignee: **Zephyros, Inc.**, Romeo, MI (US)

(**) Term: **14 Years**

(21) Appl. No.: **29/515,674**

(22) Filed: **Jan. 26, 2015**

(51) **LOC (10) Cl.** **08-08**

(52) **U.S. Cl.**
USPC **D8/349; D8/382**

(58) **Field of Classification Search**
USPC D8/300, 313, 314, 316, 321, 330, 343,
D8/349, 354, 367, 382–386, 388, 391,
D8/393–395, 397–400, 499
CPC F16B 23/00; F16B 21/00; F16B 19/04;
F16B 19/00; F16B 43/00; F16B 15/00;
F16B 33/02; F16B 11/00; F16B 21/084;
A44B 18/003; A44B 18/00; B32B 7/08;
B23P 11/00

See application file for complete search history.

5,266,133 A 11/1993 Hanley et al.
5,468,108 A 11/1995 Sullivan et al.
5,575,526 A 11/1996 Wycech
5,755,486 A 5/1998 Wycech
5,766,719 A 6/1998 Rimkus
5,884,960 A 3/1999 Wycech
5,932,680 A 8/1999 Heider
D416,189 S * 11/1999 Bollman D8/382
6,422,575 B1 7/2002 Czaplicki et al.
6,467,834 B1 10/2002 Barz et al.
6,482,486 B1 11/2002 Czaplicki et al.
6,620,501 B1 9/2003 Kassa et al.
6,669,426 B1 12/2003 Detter et al.
6,785,533 B2 8/2004 Ezuriko
6,890,021 B2 5/2005 Bock et al.
6,920,693 B2 7/2005 Hankins et al.
6,953,219 B2 10/2005 Lutz et al.
6,991,237 B2 1/2006 Kassa et al.
7,105,112 B2 9/2006 Czaplicki et al.
7,125,561 B2 10/2006 Sackler
7,199,165 B2 4/2007 Kassa et al.

(Continued)

FOREIGN PATENT DOCUMENTS

WO 00/27920 A1 5/2000

Primary Examiner — Thomas Johannes

Assistant Examiner — Shawn T Gingrich

(74) *Attorney, Agent, or Firm* — The Dobrusin Law Firm, PC

(56) **References Cited**
U.S. PATENT DOCUMENTS

3,810,279 A 5/1974 Swick et al.
4,345,848 A * 8/1982 Cheselka G02C 5/2281
16/228
D273,091 S * 3/1984 Kurosaki D8/382
D291,057 S * 7/1987 Shiraiishi 174/138 D
4,728,238 A 3/1988 Chisholm et al.
4,922,596 A 5/1990 Wycech
4,978,562 A 12/1990 Wycech
D322,556 S * 12/1991 Jeter D8/382
D326,605 S * 6/1992 Nakanura D8/382
5,124,186 A 6/1992 Wycech
5,195,859 A 3/1993 Thornton

(57) **CLAIM**

The ornamental design for a fastener, as shown and described.

DESCRIPTION

FIG. 1 is a perspective view of a fastener showing my new design.

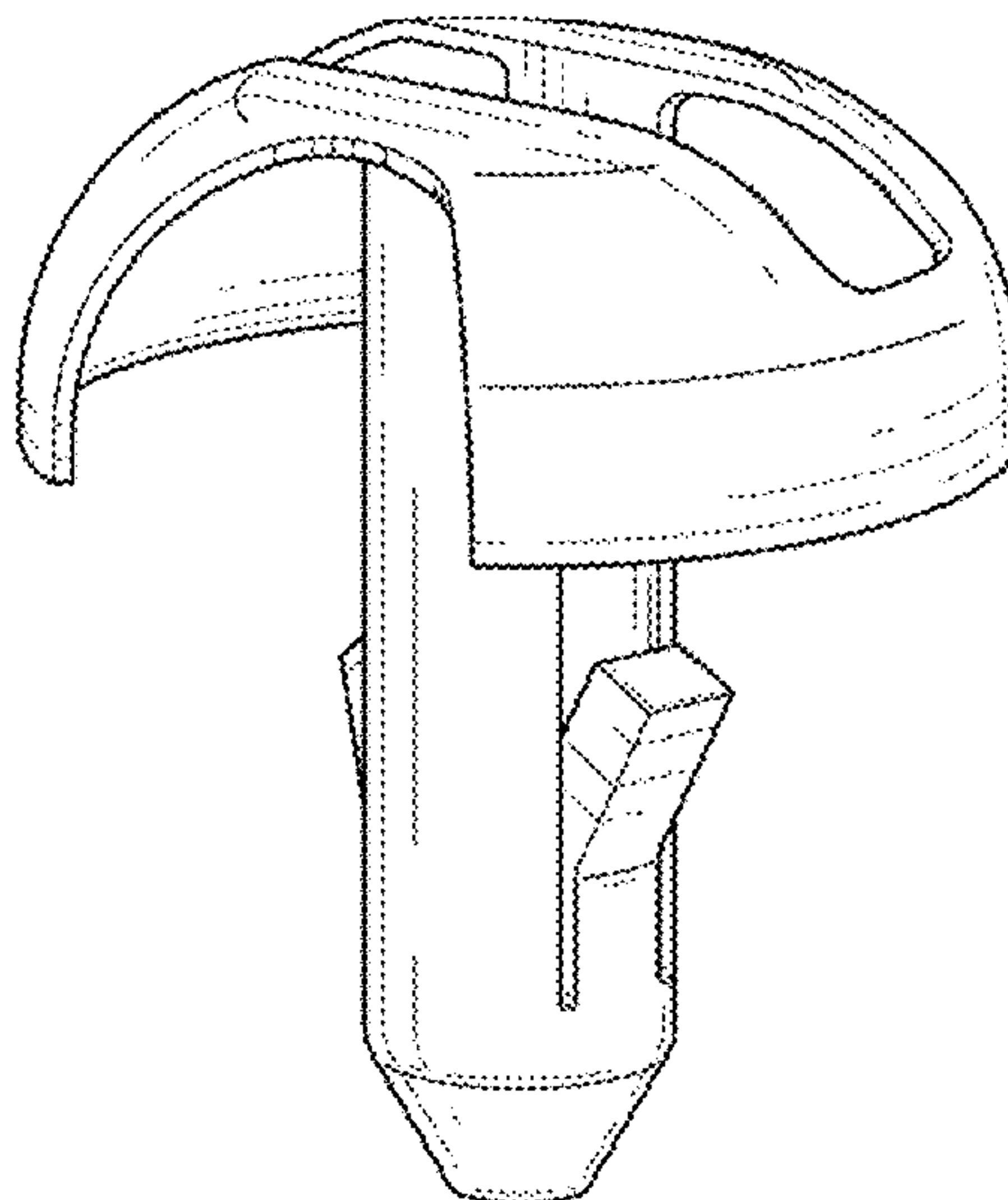
FIG. 2 is a front elevational view thereof.

FIG. 3 is a top-down view thereof.

FIG. 4 is a bottom-up view thereof; and,

FIG. 5 is a side profile view thereof.

1 Claim, 2 Drawing Sheets



(56)

References Cited

U.S. PATENT DOCUMENTS

7,249,415 B2 7/2007 Larsen et al.
7,290,828 B2 11/2007 Kosal et al.
D635,451 S * 4/2011 Sekine D8/382
D648,210 S * 11/2011 Reynoso D8/382

D658,481 S * 5/2012 Pratt D8/349
D662,807 S * 7/2012 Waddell D8/382
D664,027 S * 7/2012 Vosika D8/382
D726,530 S * 4/2015 Mayberry D8/387
2004/0052611 A1* 3/2004 Liu F16B 21/084
411/508

* cited by examiner

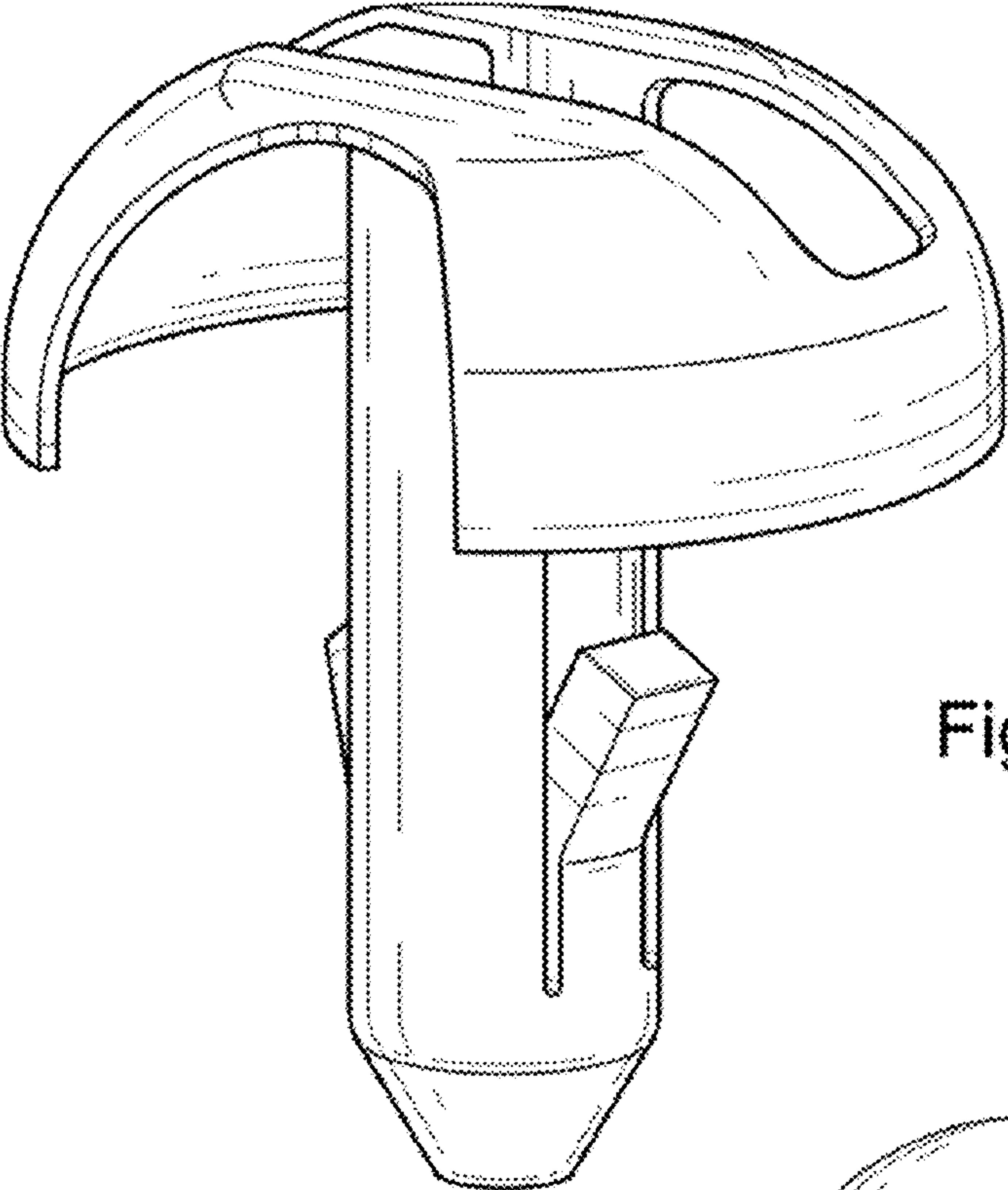


Fig-1

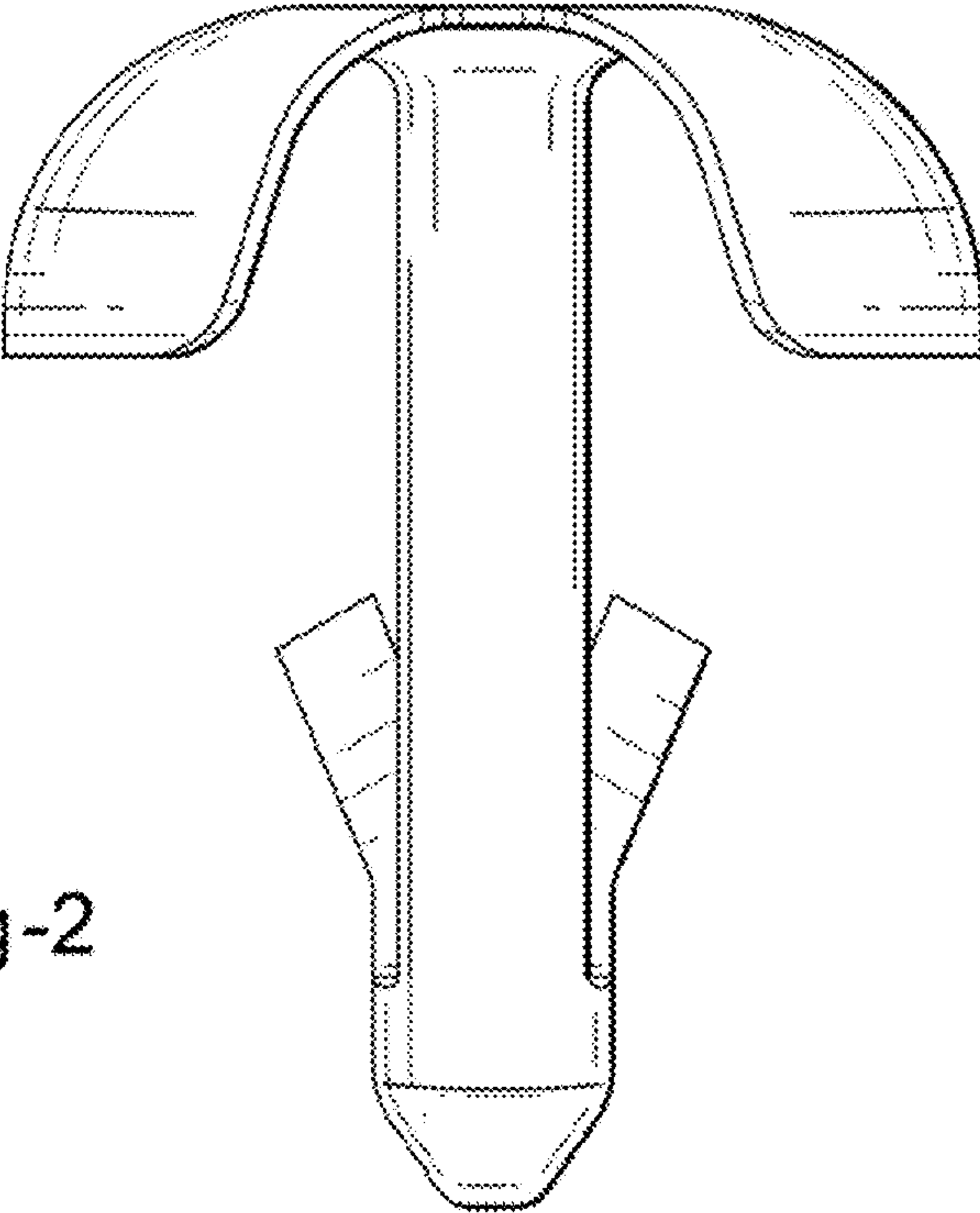


Fig-2

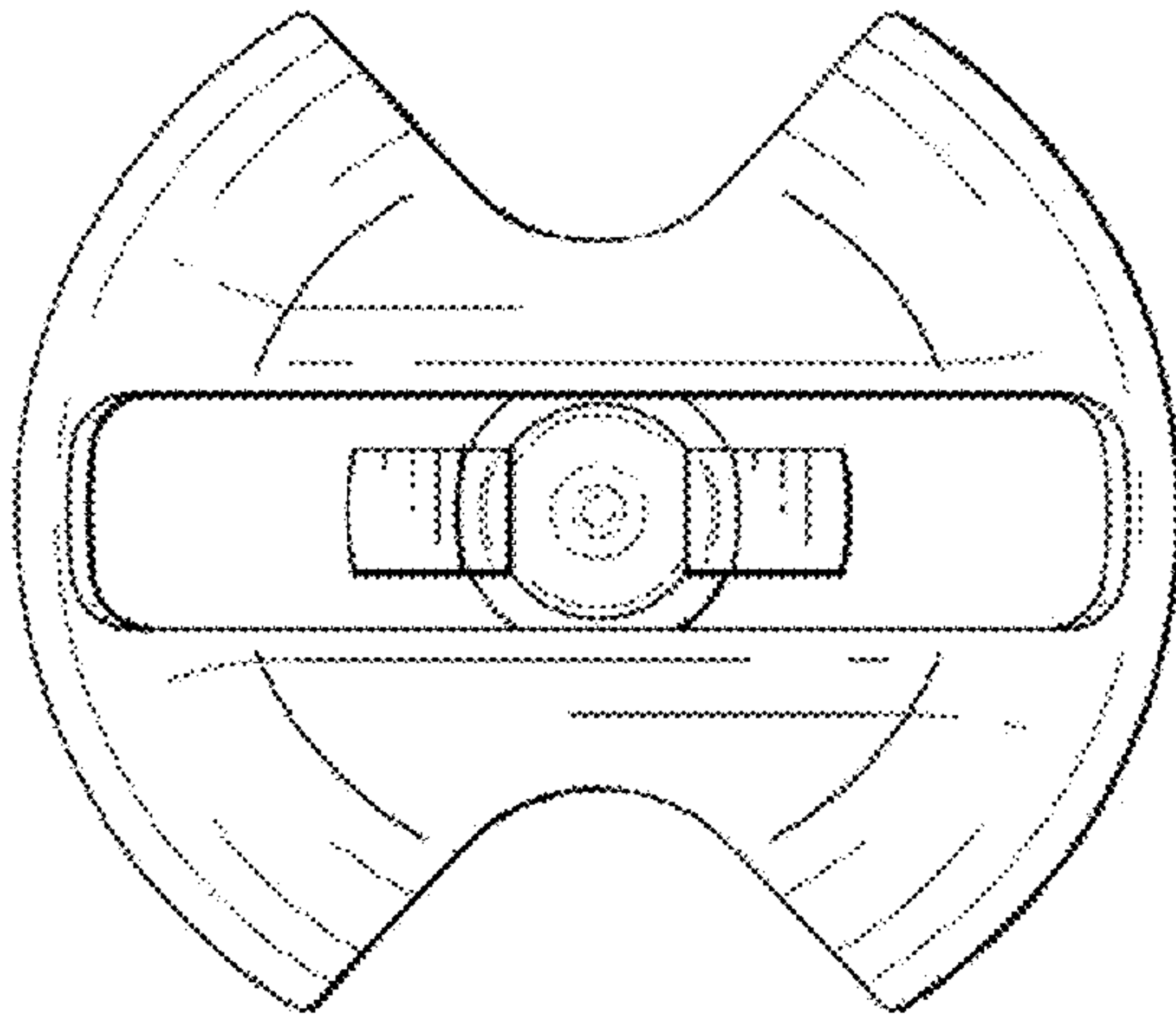


Fig-3

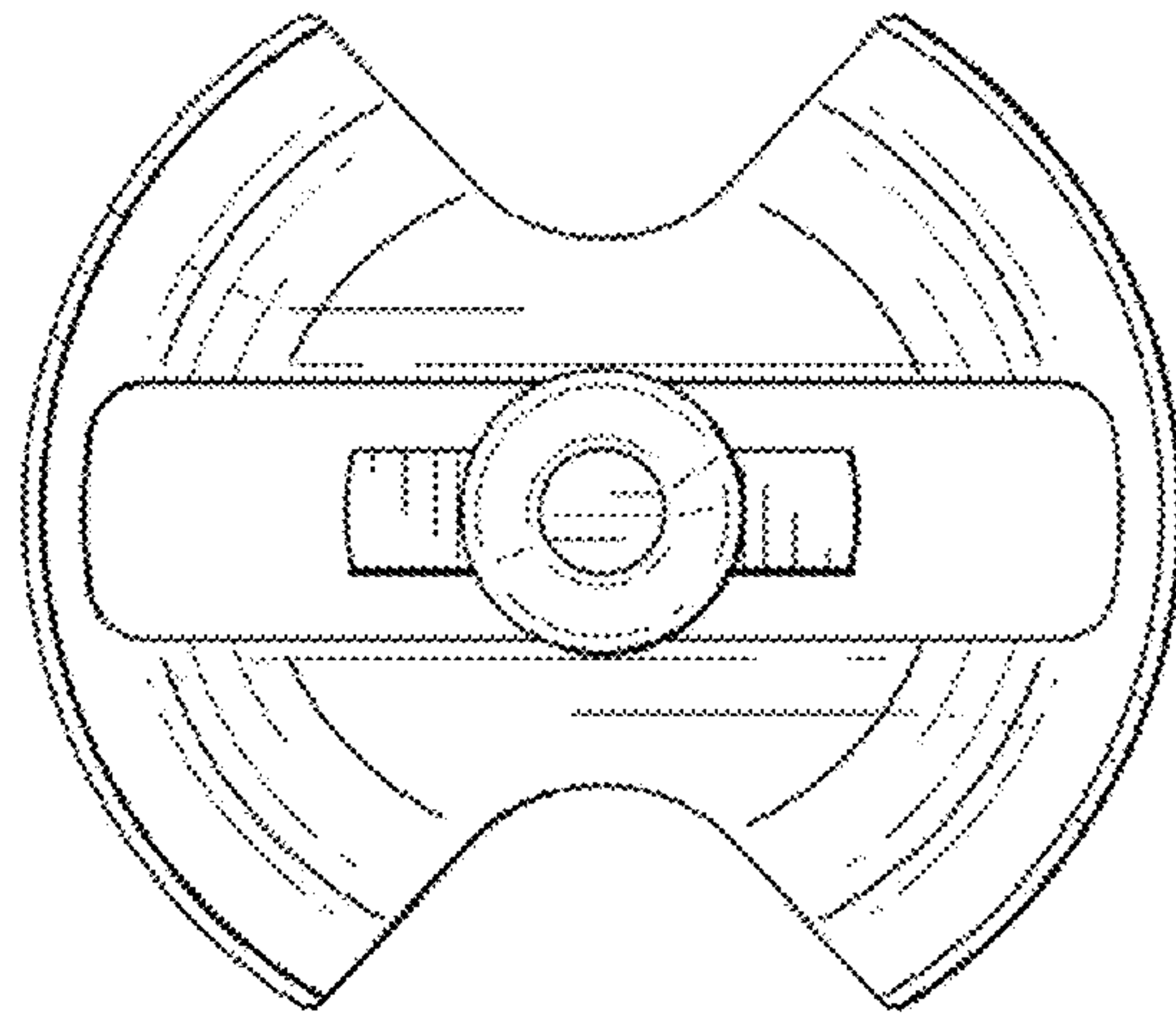


Fig-4

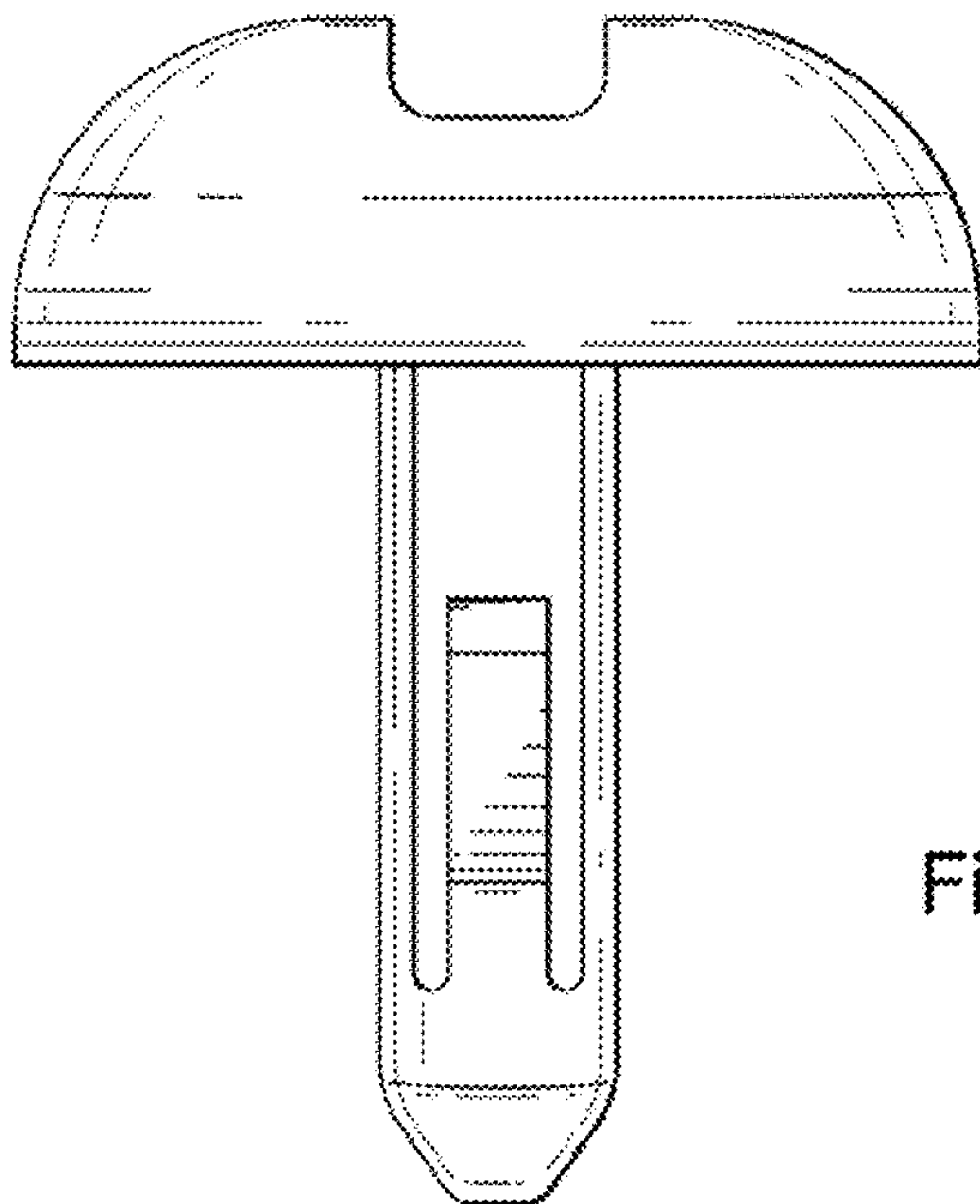


Fig-5