



US00D752951S

(12) **United States Design Patent**
Bomatter et al.

(10) **Patent No.:** **US D752,951 S**
(45) **Date of Patent:** **** Apr. 5, 2016**

- (54) **FOLDABLE SUPPORT ADAPTER**
- (71) Applicant: **Franke Technology and Trademark Ltd, Hergiswil (CH)**
- (72) Inventors: **Christian Bomatter, Willer (FR); Ralf Neeser, Reidermoos (CH)**
- (73) Assignee: **Franke Technology and Trademark Ltd, Hergiswil (CH)**
- (**) Term: **14 Years**
- (21) Appl. No.: **29/509,848**
- (22) Filed: **Nov. 21, 2014**
- (30) **Foreign Application Priority Data**

- May 22, 2014 (WO) DM/084 453
- (51) **LOC (10) Cl.** **08-08**
- (52) **U.S. Cl.**
USPC **D8/349**
- (58) **Field of Classification Search**
USPC D23/284, 287, 303, 308, 499; D8/330,
D8/349, 354, 373, 374, 380-382, 499
CPC A47B 3/00; A47B 3/002; A47B 43/00;
A47B 97/04; A47C 17/72; A47G 29/00;
A47J 47/16; A47L 19/00; A47L 19/04;
A47L 19/08; F16M 11/00; F16M 11/20;
F16M 11/22; F16M 11/28; F16M 11/38;
F16M 2200/00; F16M 2200/06; H01Q 1/08
See application file for complete search history.

- (56) **References Cited**
U.S. PATENT DOCUMENTS
2,218,644 A * 10/1940 Horak A21B 3/13
220/23.6
5,911,177 A * 6/1999 Fox A47B 3/002
108/12
8,348,207 B2 * 1/2013 Wang A47C 19/126
248/188.6
8,534,619 B2 * 9/2013 Huang F16M 11/10
248/163.1

- 8,534,634 B2 * 9/2013 Hu F16M 11/10
16/2.4
- 2010/0181270 A1 * 7/2010 Miola D06F 57/08
211/85.3
- 2010/0181459 A1 * 7/2010 Wang A47C 17/72
248/419

OTHER PUBLICATIONS

Stainless Foldable Drying Rack, dated Oct. 13, 2014, [online], [site visited Nov. 10, 2015]. Available from Internet, <URL: <http://www.containerstore.com/s/kitchen/sink-area/dish-racks-drainers/stainless-foldable-drying-rack/123d?productId=10035714>>.*

* cited by examiner

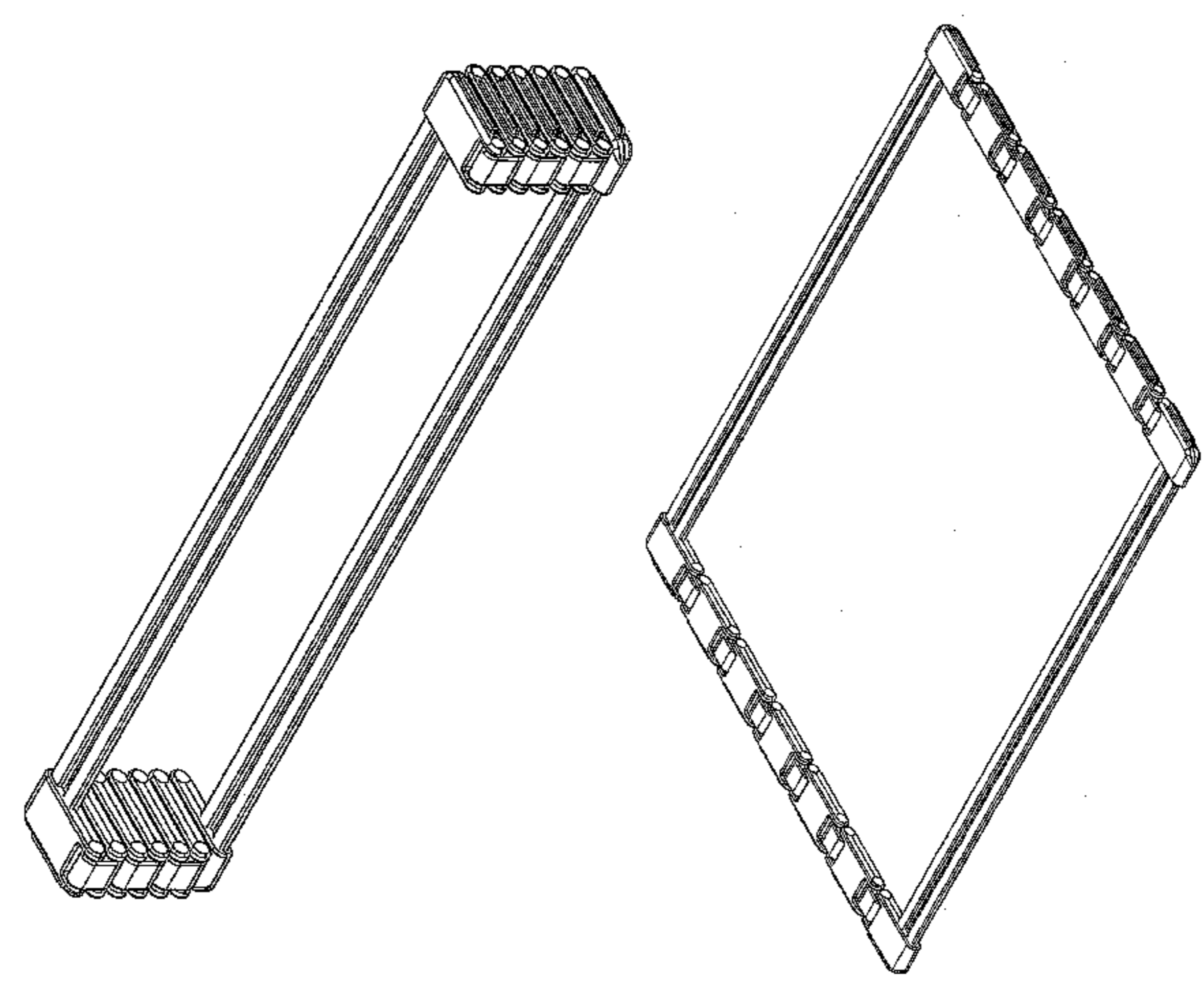
Primary Examiner — Thomas Johannes
Assistant Examiner — Shawn T Gingrich
(74) *Attorney, Agent, or Firm* — Volpe and Koenig, P.C.

(57) **CLAIM**
The ornamental design for a foldable support adapter, as shown and described.

DESCRIPTION

FIG. 1 is a right side elevational view of a foldable support adapter in accordance with our design shown in a first, folded position, with the left side elevational view being a mirror image thereof;
FIG. 2 is a top plan view, with the bottom view being a mirror image thereof;
FIG. 3 is a front elevational view thereof, with the rear elevational view being a mirror image thereof;
FIG. 4 is a top, front, left perspective view thereof;
FIG. 5 is a right side elevational view thereof in the unfolded position, with the left side elevational view in the unfolded position being identical thereto;
FIG. 6 is a top plan view thereof in the unfolded position, with the bottom plan view being identical thereto;
FIG. 7 is a front elevational view thereof in the unfolded position, with the rear elevational view being identical thereto; and,
FIG. 8 is a top, front, left perspective view thereof in the unfolded position.

1 Claim, 8 Drawing Sheets



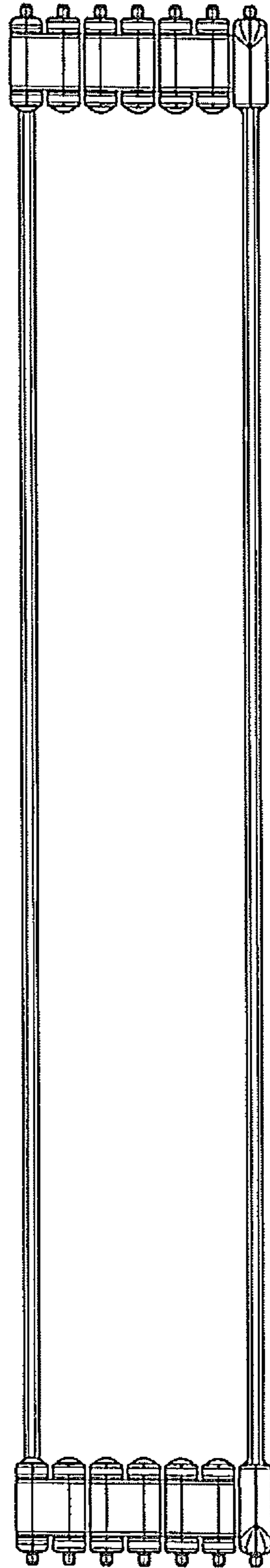


Fig. 1

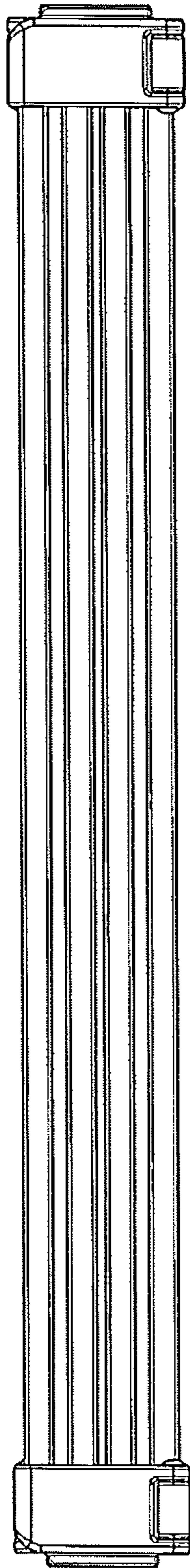


Fig. 2

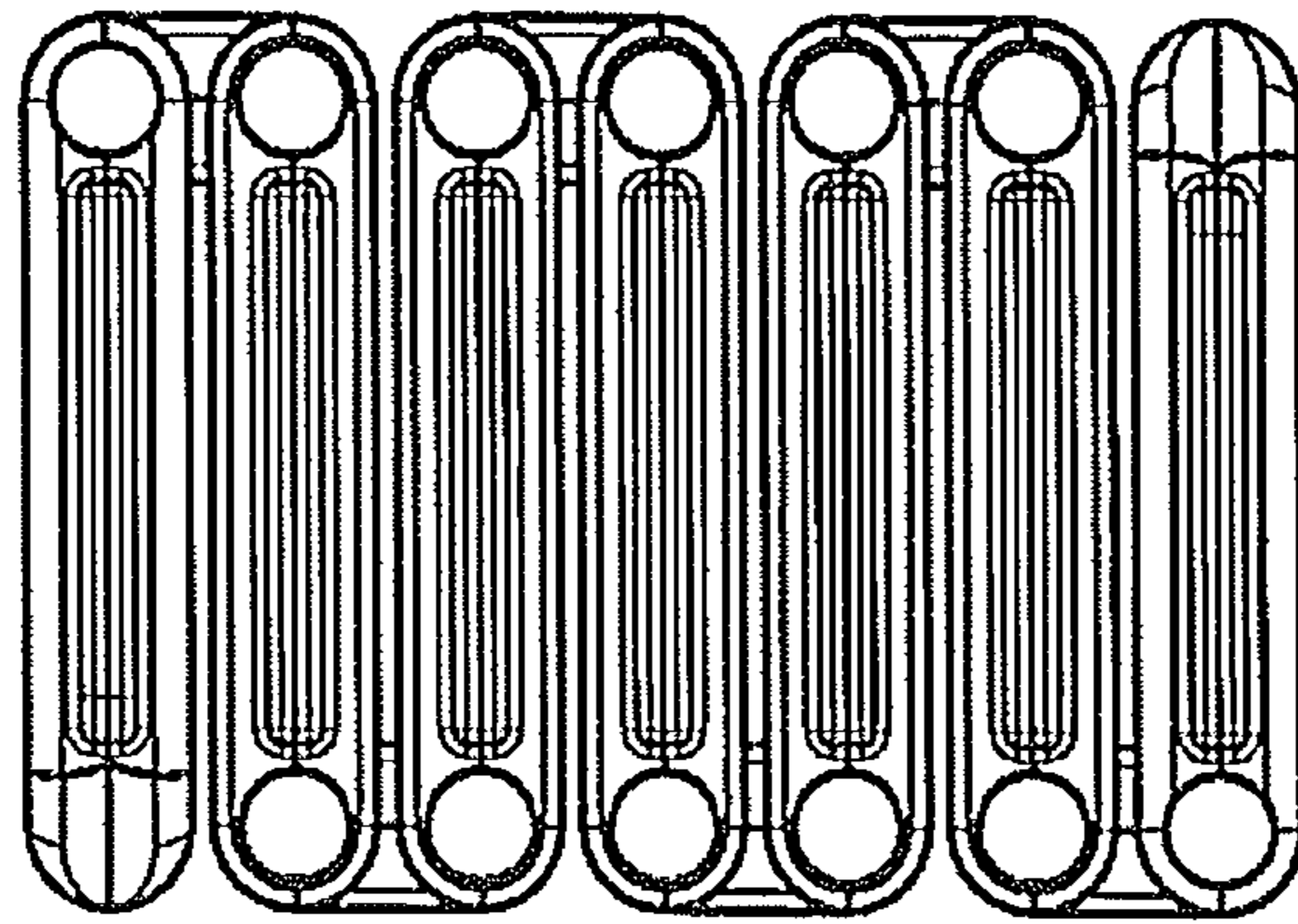


Fig. 3

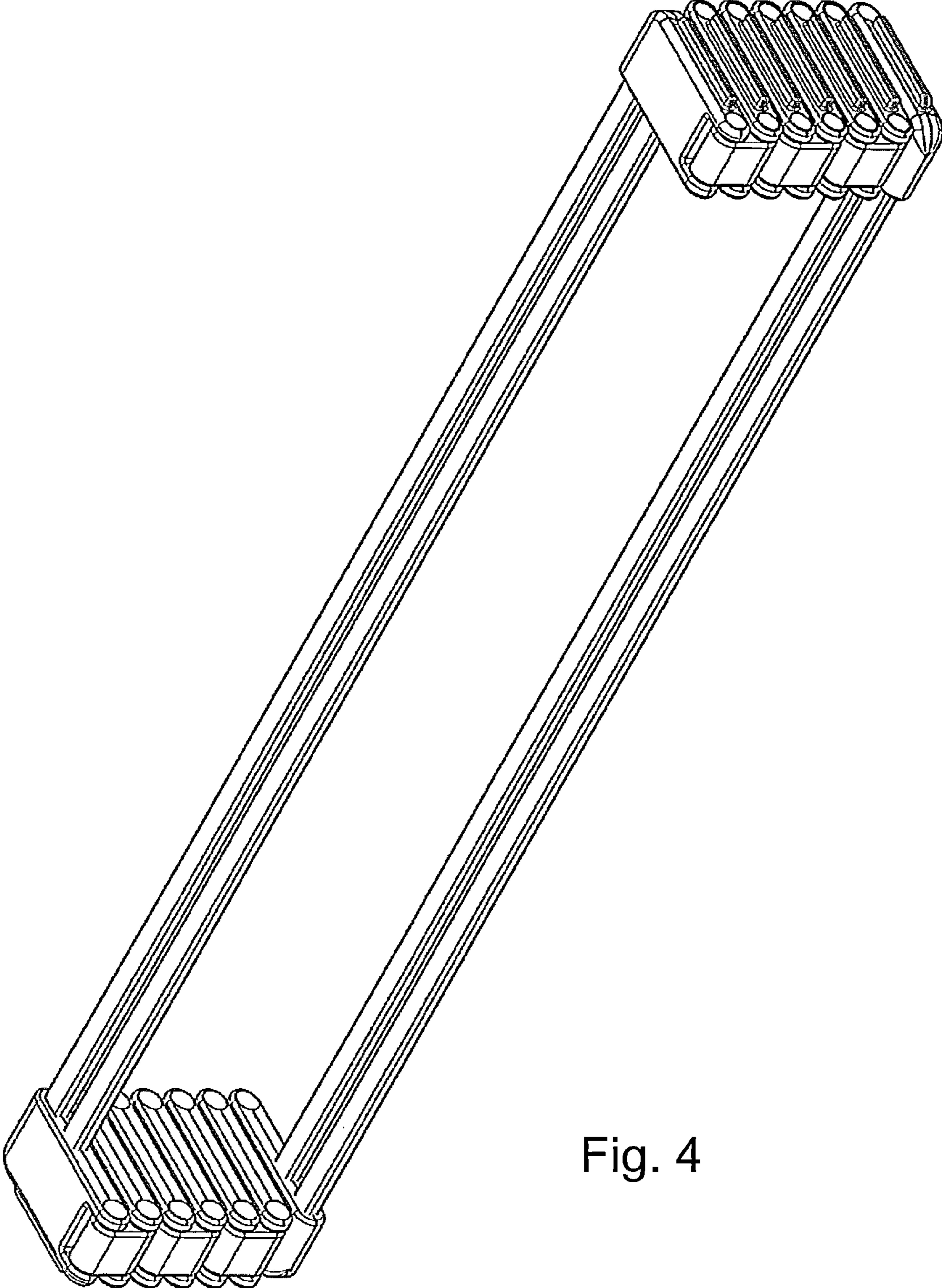


Fig. 4

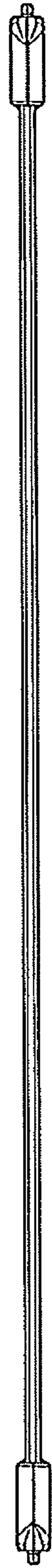


Fig. 5

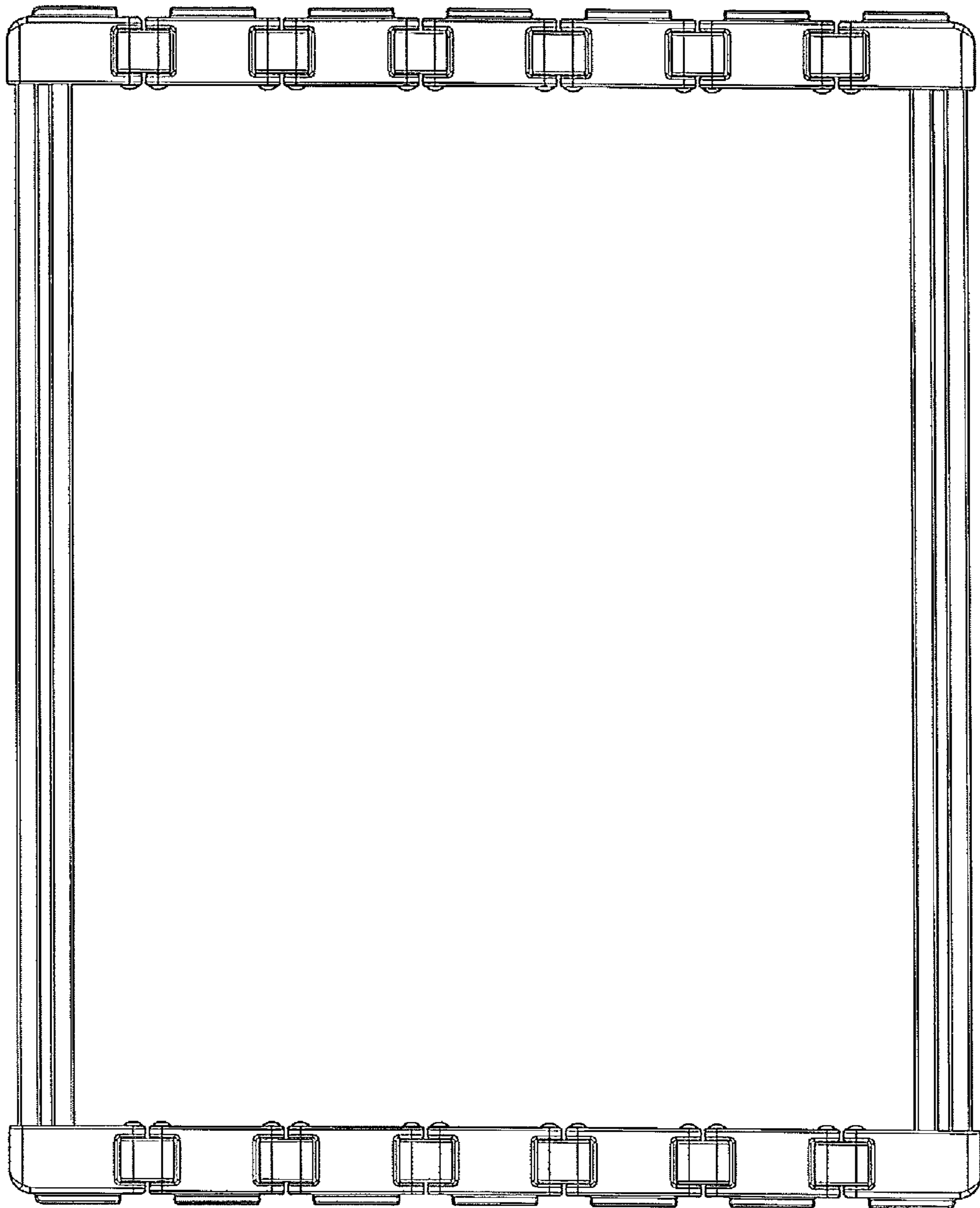


Fig. 6



Fig. 7

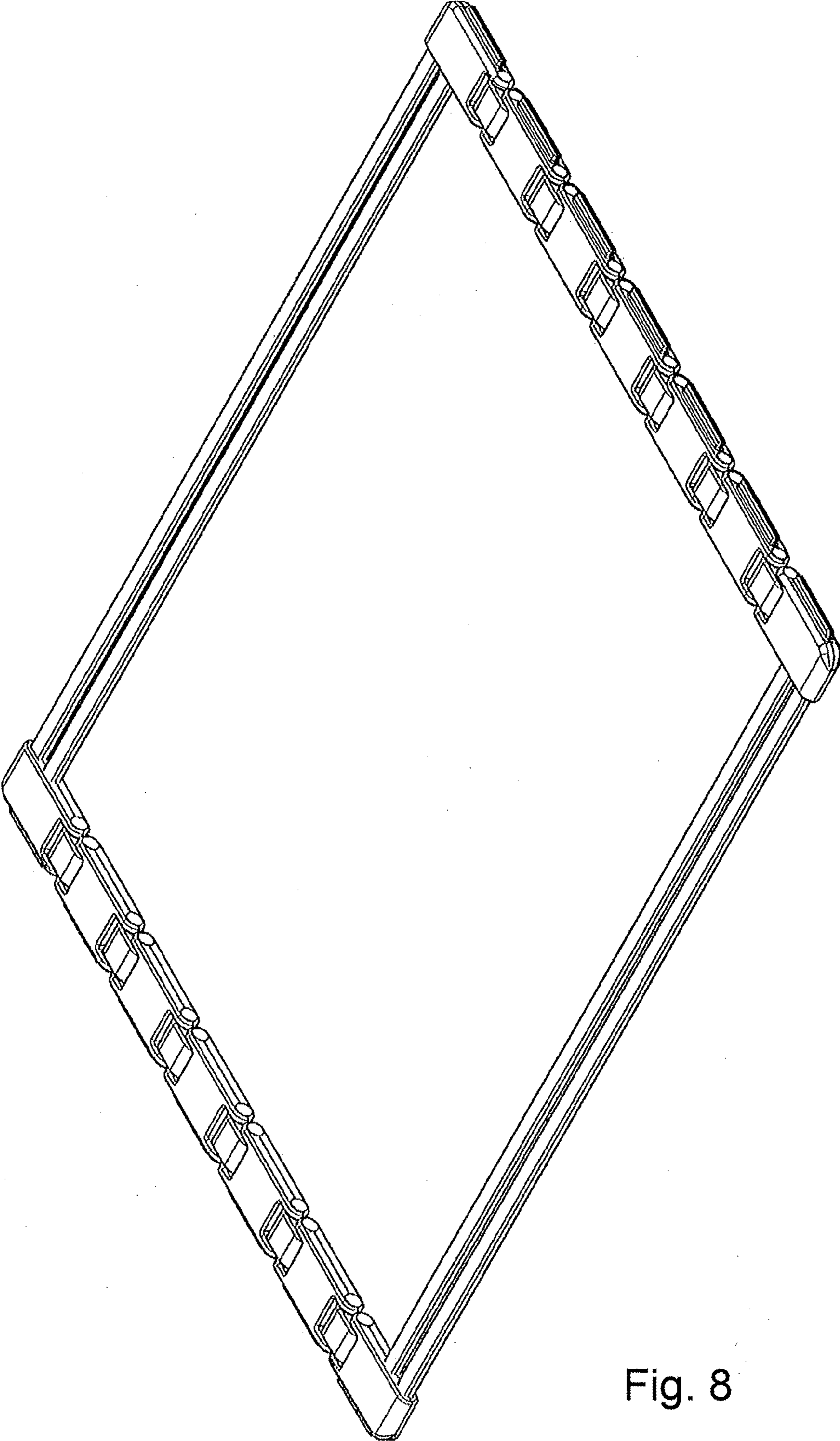


Fig. 8