



US00D752950S

(12) **United States Design Patent**
Dolce et al.

(10) **Patent No.:** **US D752,950 S**
(45) **Date of Patent:** **** Apr. 5, 2016**

(54) **DECORATIVE LOCK ELEMENT FOR BAGS**

(71) Applicant: **Dolce & Gabbana S.r.l.**, Milan (IT)

(72) Inventors: **Domenico Dolce**, Milan (IT); **Stefano Gabbana**, Milan (IT)

(73) Assignee: **DOLCE & GABBANA S.R.L.**, Milan (IT)

(**) Term: **14 Years**

(21) Appl. No.: **29/513,844**

(22) Filed: **Jan. 6, 2015**

(30) **Foreign Application Priority Data**

Jul. 10, 2014 (EM) 002499871

(51) **LOC (10) Cl.** **08-07**

(52) **U.S. Cl.**
USPC **D8/334; D7/702**

(58) **Field of Classification Search**
USPC D8/300–302, 350, 330, 331, 343, 346,
D8/334; 70/14, 158, 160, 452, 448, 466;
292/348, 350, 357; D11/117, 130, 34;
D9/702, 720; 190/100, 101, 900
CPC E05B 1/0007; E05B 9/00; E05B 17/00;
A45C 5/00; A45C 13/00; A45C 13/002
See application file for complete search history.

(56) **References Cited**

U.S. PATENT DOCUMENTS

D115,761 S * 7/1939 Fraim D8/334
D125,195 S * 2/1941 Winsick D9/644

D317,254 S * 6/1991 Dembiczak 428/35.2
5,195,638 A * 3/1993 Zinbarg A63H 3/06
206/457
6,199,912 B1 * 3/2001 Finkelshteyn B42D 15/045
283/117
D461,699 S * 8/2002 Lavikainen D8/334
D478,963 S * 8/2003 Bowen D23/212
6,904,714 B1 * 6/2005 Chen A47G 7/06
47/41.01
D525,112 S * 7/2006 Butts D8/334
D637,888 S * 5/2011 Zheng D8/334
D743,774 S * 11/2015 Nawaz D8/334

* cited by examiner

Primary Examiner — Prabhakar Deshmukh

(74) *Attorney, Agent, or Firm* — Jacobson Holman, PLLC

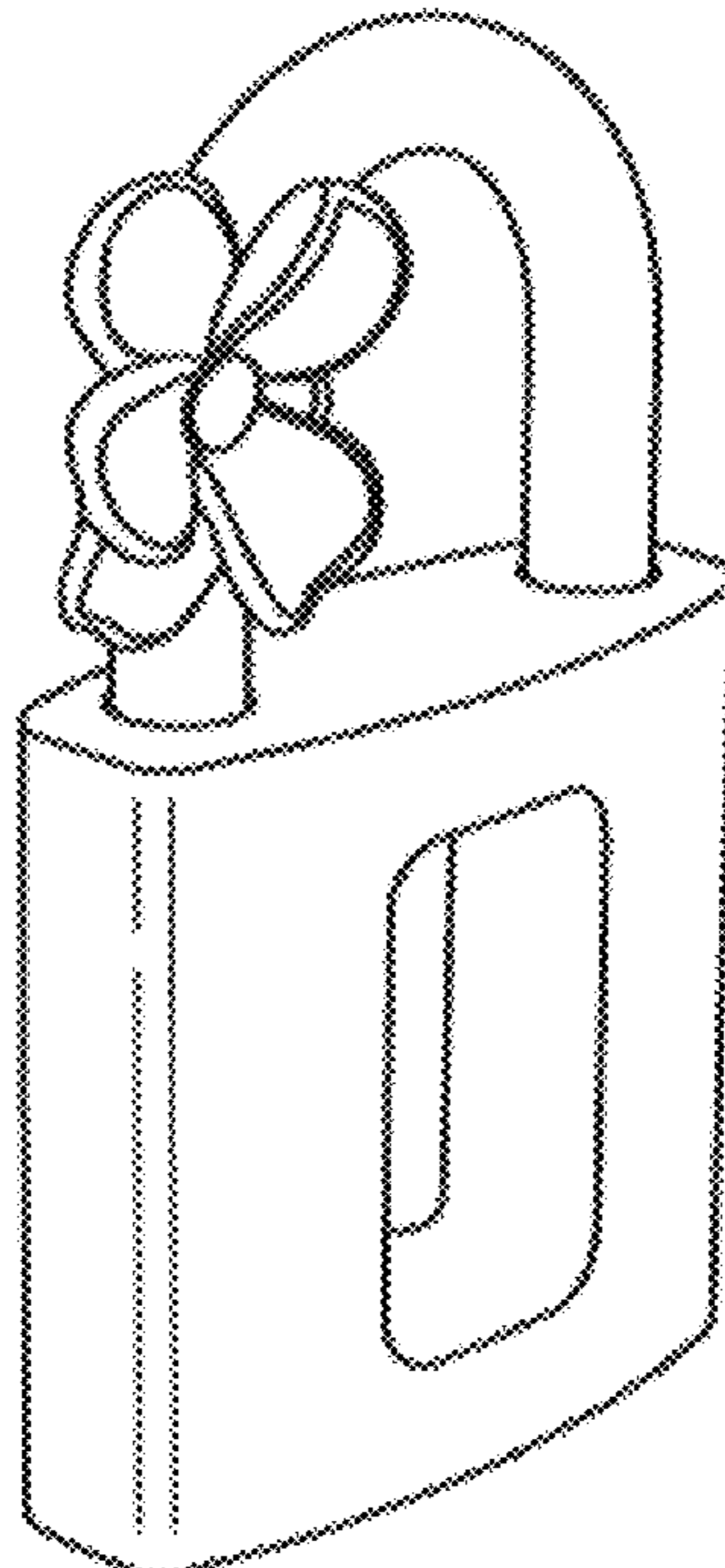
(57) **CLAIM**

We claim the ornamental design for a decorative lock element for bags, as shown and described.

DESCRIPTION

FIG. 1 is a front perspective view of a decorative lock element for bags according to our design;
FIG. 2 is a front elevational view of FIG. 1;
FIG. 3 is a rear elevational view of FIG. 1;
FIG. 4 is a right side elevational view of FIG. 1;
FIG. 5 is a left side elevational view of FIG. 1;
FIG. 6 is a top plan view of FIG. 1; and,
FIG. 7 is bottom view of FIG. 1.

1 Claim, 2 Drawing Sheets



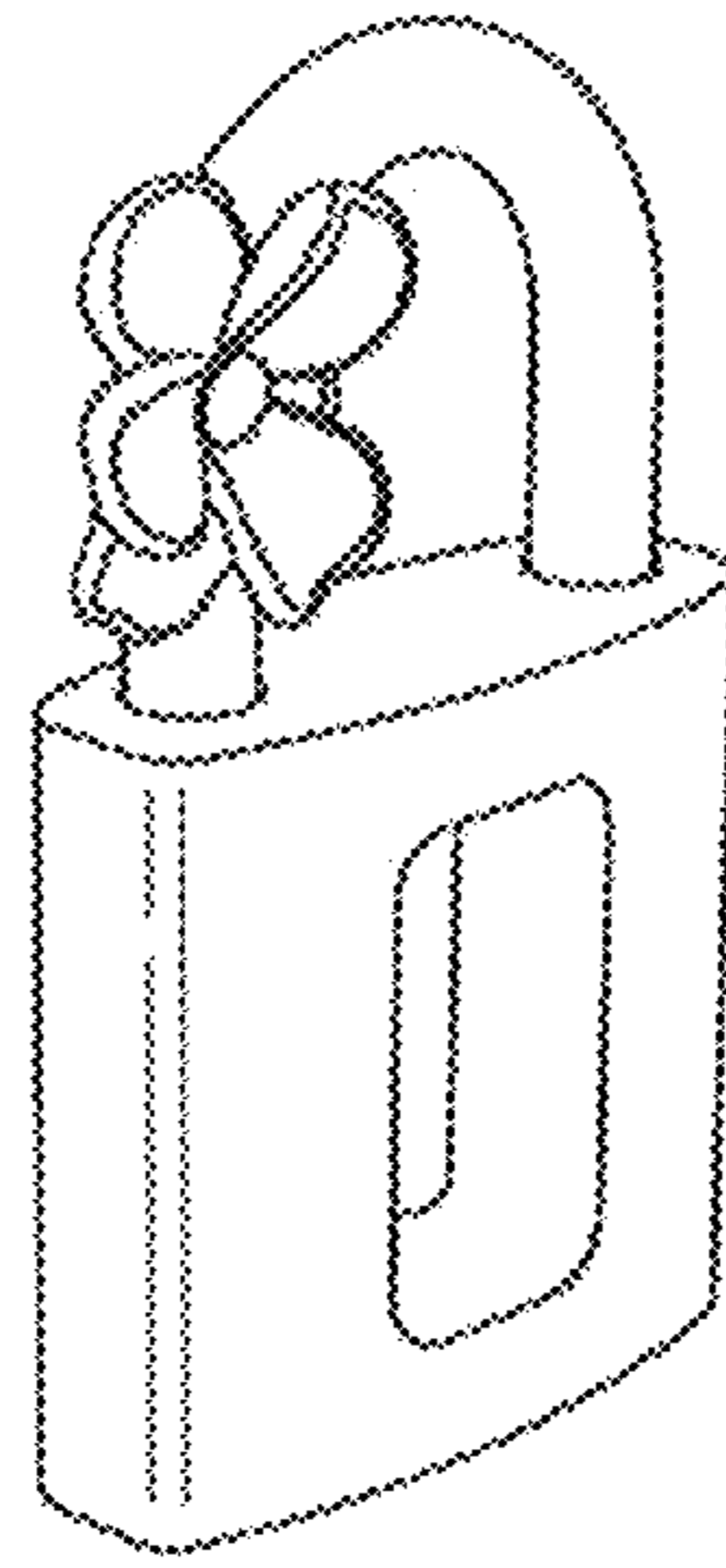


Fig. 1

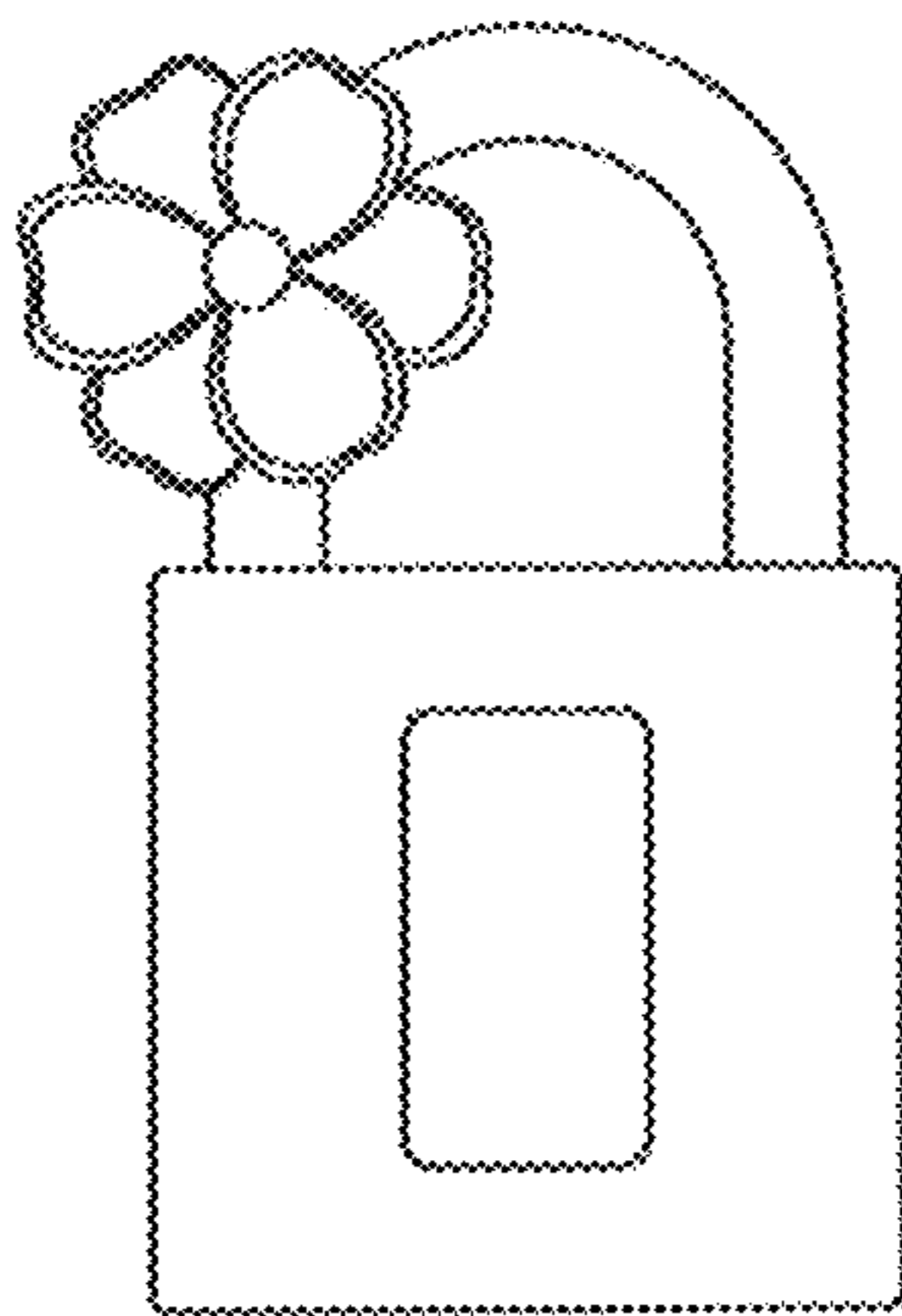


Fig. 2

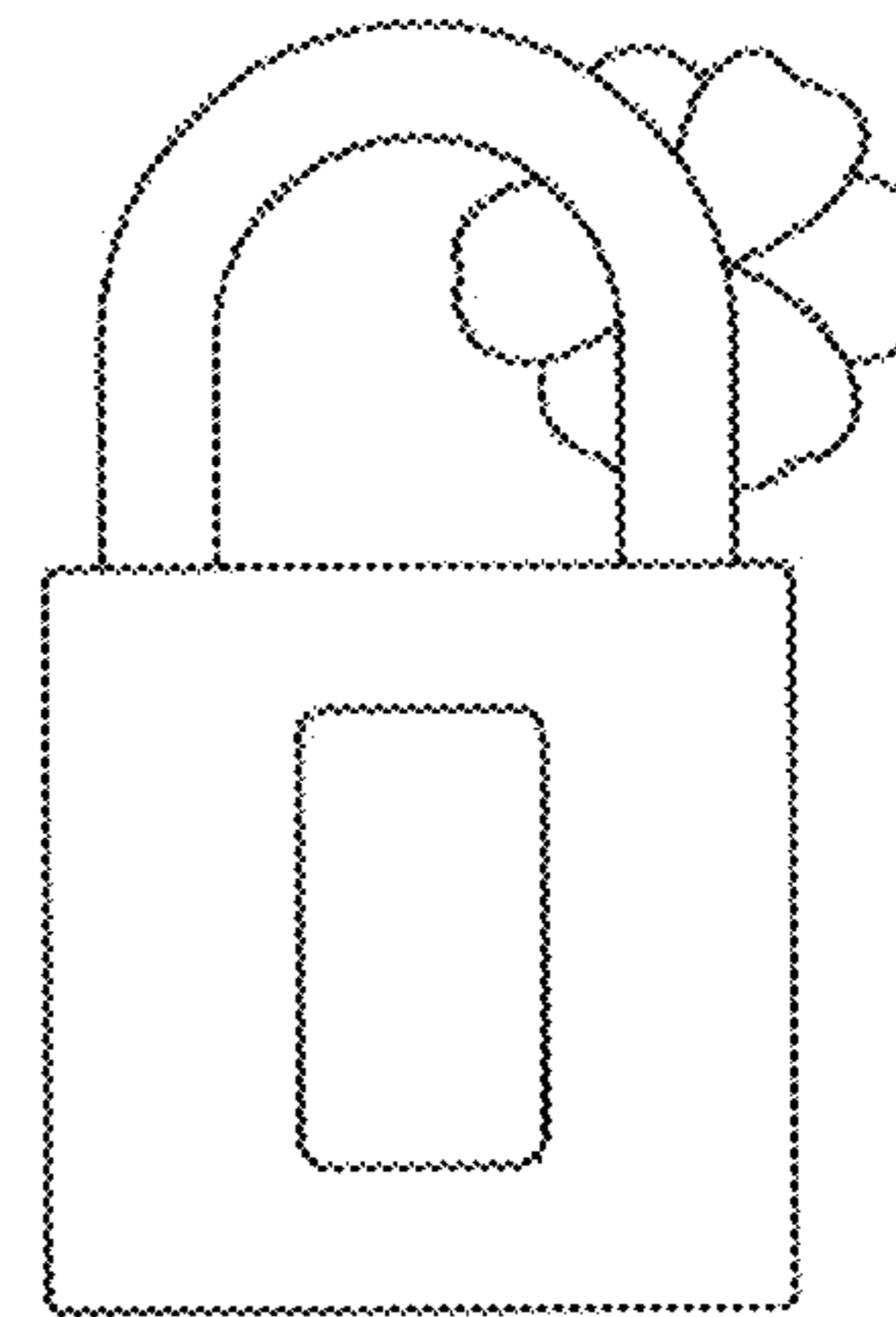


Fig. 3

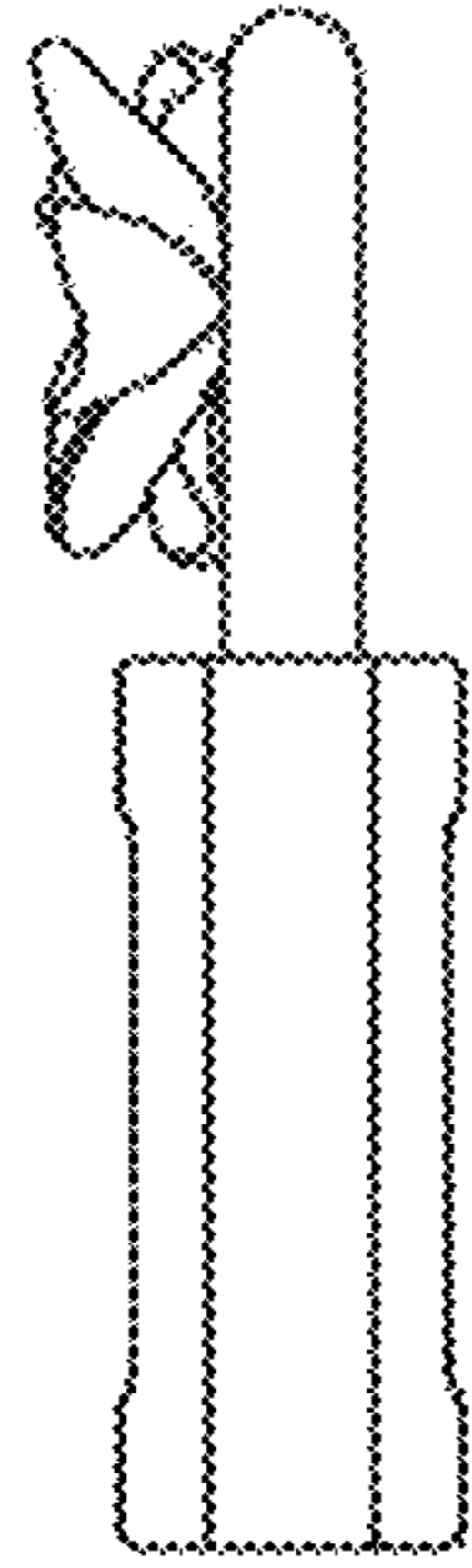


Fig. 4

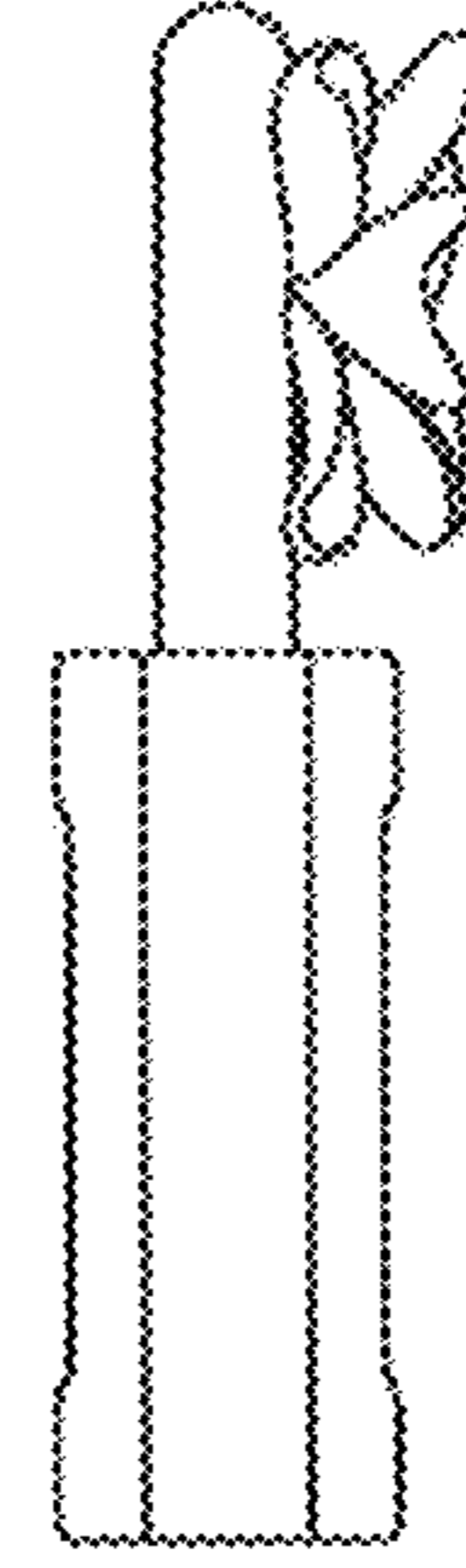


Fig. 5

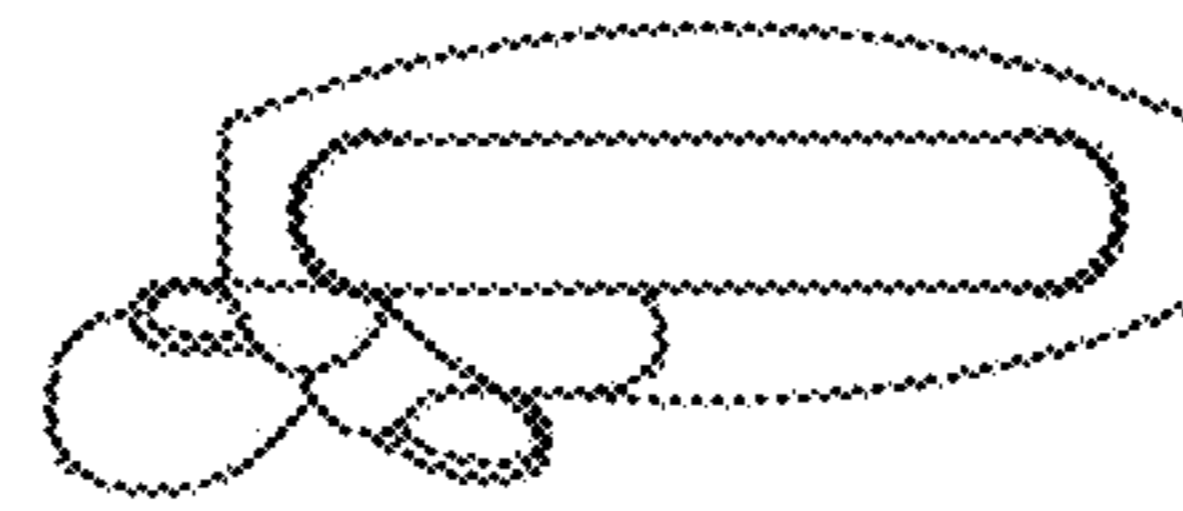


Fig. 6



Fig. 7