



US00D752949S

(12) **United States Design Patent**  
**Gokcebay et al.**

(10) **Patent No.:** **US D752,949 S**  
(45) **Date of Patent:** **\*\* Apr. 5, 2016**

(54) **RECESS MOUNT ELECTRONIC CAM LOCK**

(71) Applicant: **Security People, Inc.**, Petaluma, CA (US)

(72) Inventors: **Asil T. Gokcebay**, Petaluma, CA (US);  
**Julian Peck**, San Rafael, CA (US); **Kelly Kodama**, Walnut Creek, CA (US)

(73) Assignee: **Security People, Inc.**, Petaluma, CA (US)

(\*\*) Term: **15 Years**

(21) Appl. No.: **29/529,620**

(22) Filed: **Jun. 9, 2015**

**Related U.S. Application Data**

(62) Division of application No. 29/469,260, filed on Oct. 8, 2013, now Pat. No. Des. 731,287.

(51) **LOC (10) Cl.** ..... **08-07**

(52) **U.S. Cl.**  
USPC ..... **D8/331; D8/330**

(58) **Field of Classification Search**  
USPC ..... D8/330, 331, 336, 338, 339, 340, 343;  
70/14, 2, 51, 57, 57.1, 91, 107, 141,  
70/214, 78, 278, 1, 127, 447; 292/2, 32,  
292/137, 288, 289, 290, 292, 194-198, 164,  
292/165, 257  
CPC ..... E05B 49/00; E05B 17/00; E05B 55/00;  
E05B 65/00; E05B 47/00  
See application file for complete search history.

(56) **References Cited**

**U.S. PATENT DOCUMENTS**

3,187,528 A \* 6/1965 Check ..... E05B 37/16  
70/288  
D263,279 S \* 3/1982 Stolarz ..... D8/338

4,926,664 A \* 5/1990 Gartner ..... E05B 47/0012  
70/119  
4,956,984 A \* 9/1990 Chi-Cheng ..... E05B 47/068  
70/277  
5,020,345 A \* 6/1991 Gartner ..... E05B 47/0012  
70/277  
5,033,282 A \* 7/1991 Gartner ..... E05B 47/0012  
70/119  
5,475,996 A 12/1995 Chen  
6,058,746 A 5/2000 Mirshafiee et al.  
D485,154 S \* 1/2004 Chen ..... D8/331  
7,221,272 B2 5/2007 Hosselet  
D580,739 S 11/2008 Pelletier et al.  
D639,636 S \* 6/2011 Krakoff ..... D8/338  
D686,055 S 7/2013 Li  
D686,056 S 7/2013 Li  
8,490,443 B2 7/2013 Gokcebay  
8,495,898 B2 7/2013 Gokcebay  
8,587,405 B2 11/2013 Denison et al.  
8,616,031 B2 12/2013 Ullrich et al.  
D698,222 S 1/2014 Guo

\* cited by examiner

*Primary Examiner* — Prabhakar Deshmukh

(74) *Attorney, Agent, or Firm* — Thomas M. Freiburger

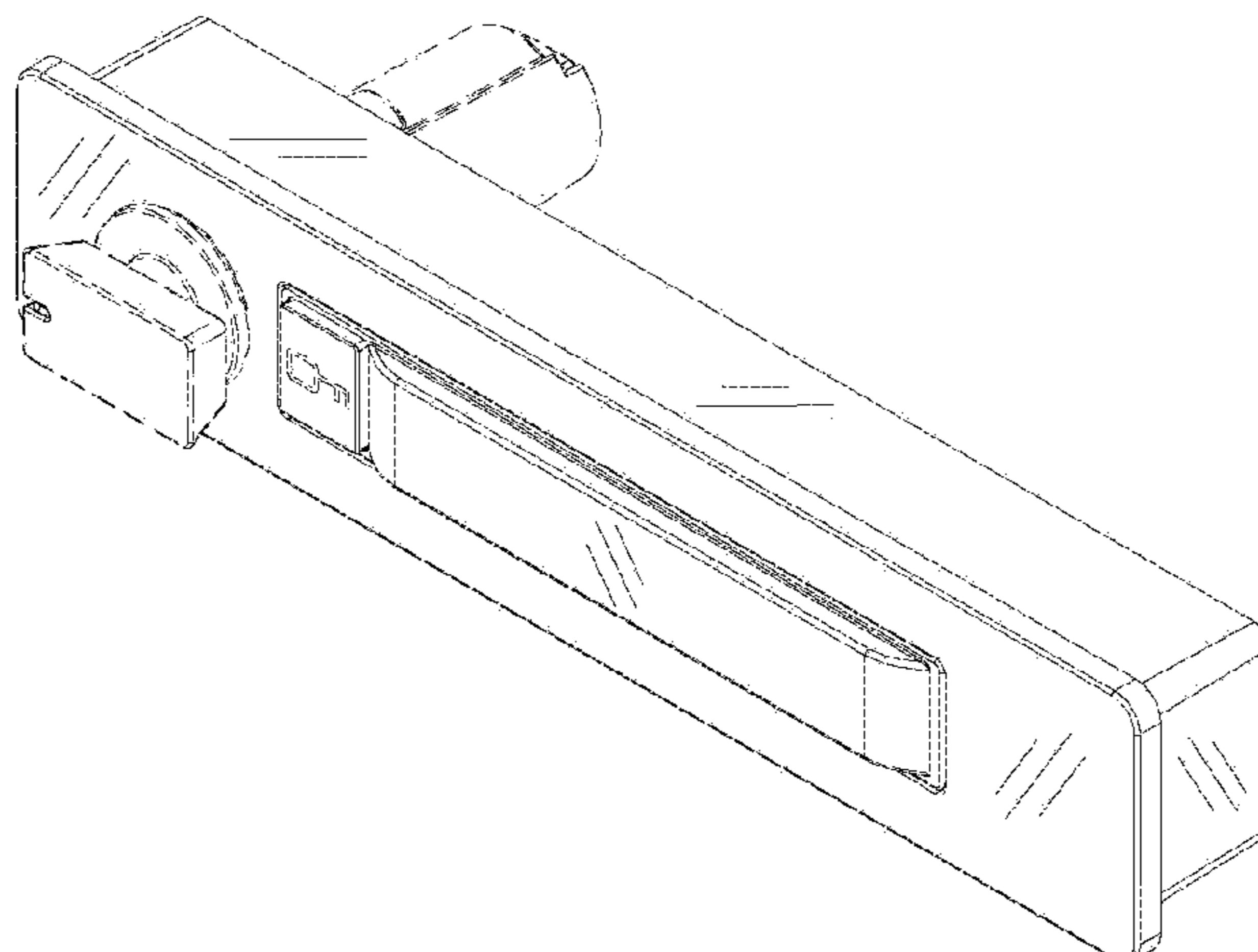
(57) **CLAIM**

The ornamental design for a recess mount electronic cam lock, substantially as shown and described.

**DESCRIPTION**

FIG. 1 is a front right perspective view of a recess mount electronic cam lock according to our new design;  
FIG. 2 is a top plan view thereof;  
FIG. 3 is a front elevation view thereof;  
FIG. 4 is a left side view thereof;  
FIG. 5 is a bottom plan view thereof; and,  
FIG. 6 is a right side view thereof.  
The broken lines indicate unclaimed portions and form no part of the claimed design. The rear side disclaimed.

**1 Claim, 1 Drawing Sheet**



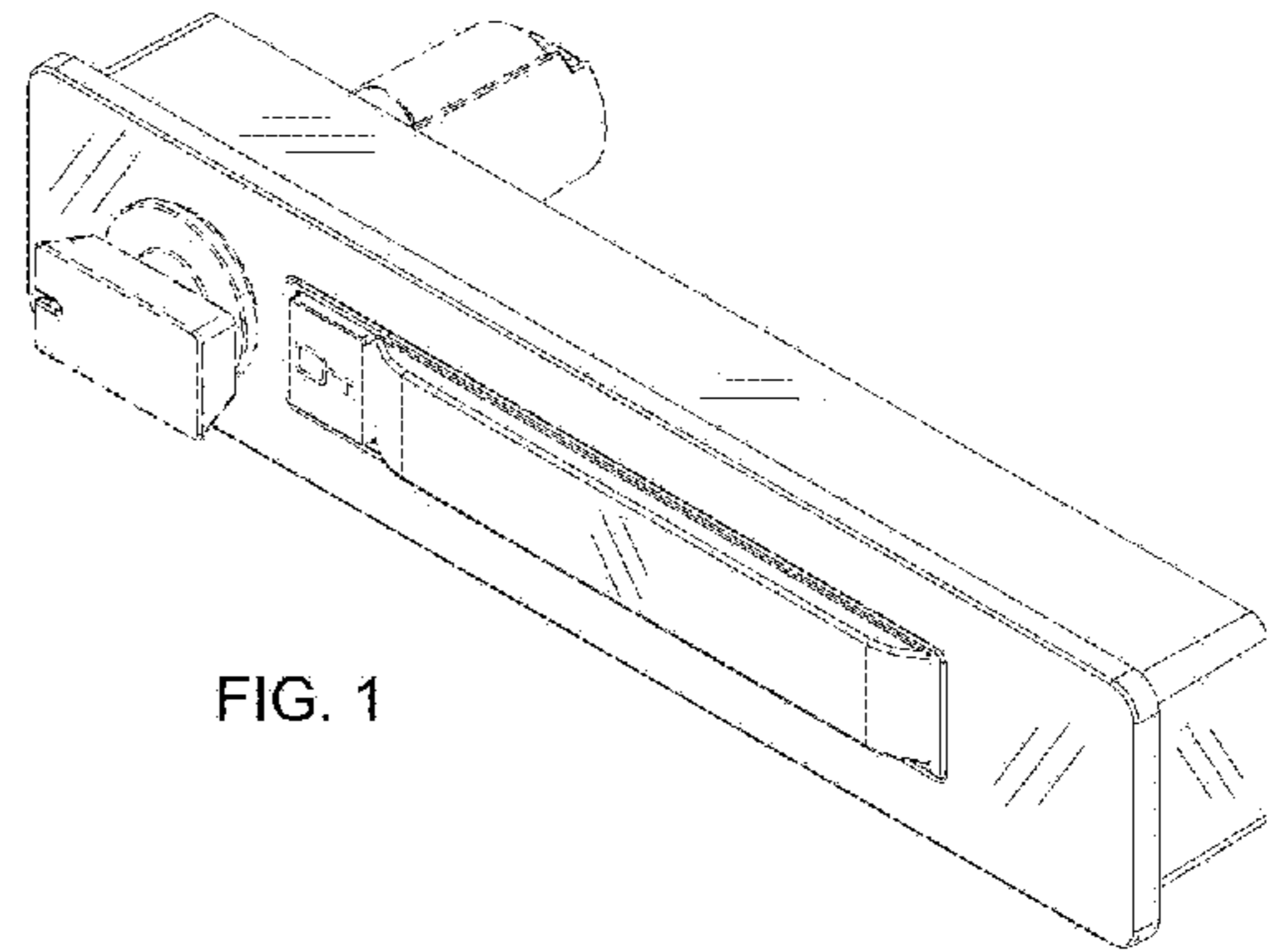


FIG. 1

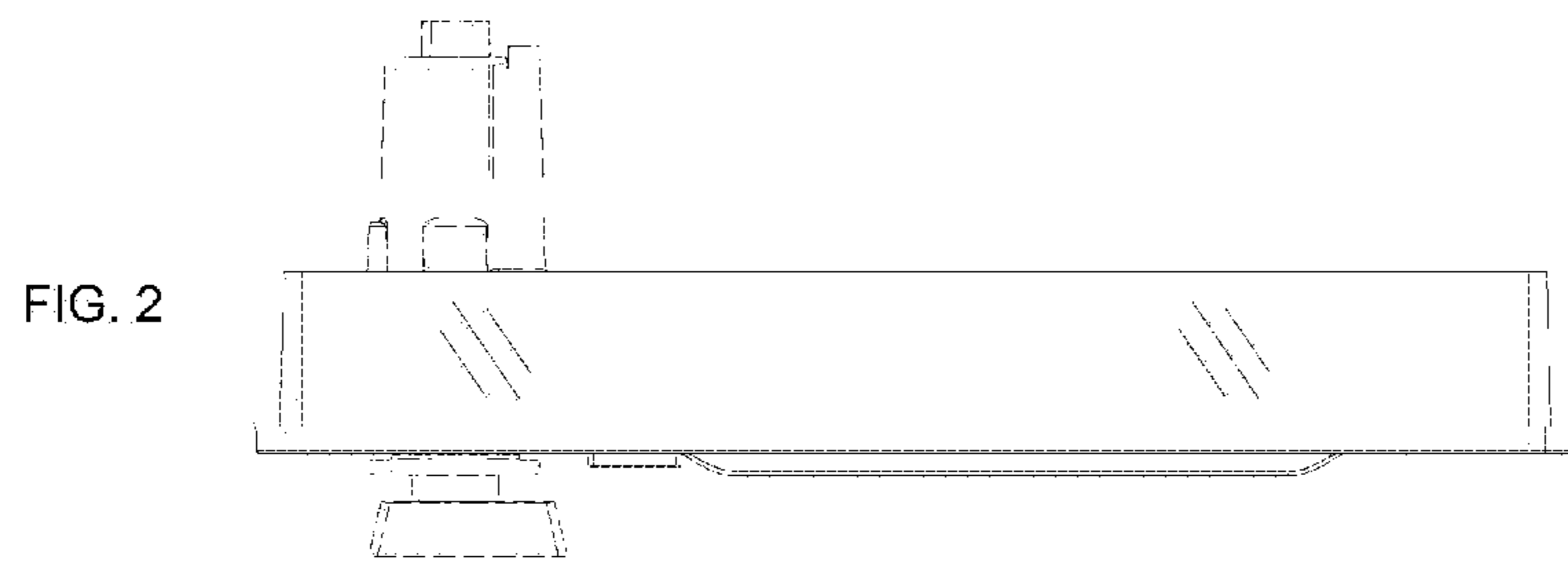


FIG. 2

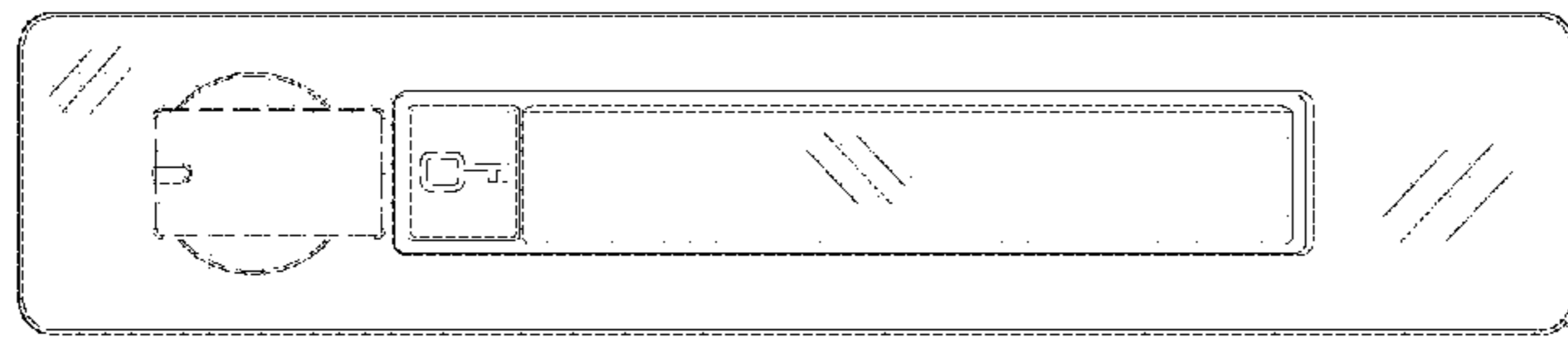


FIG. 3

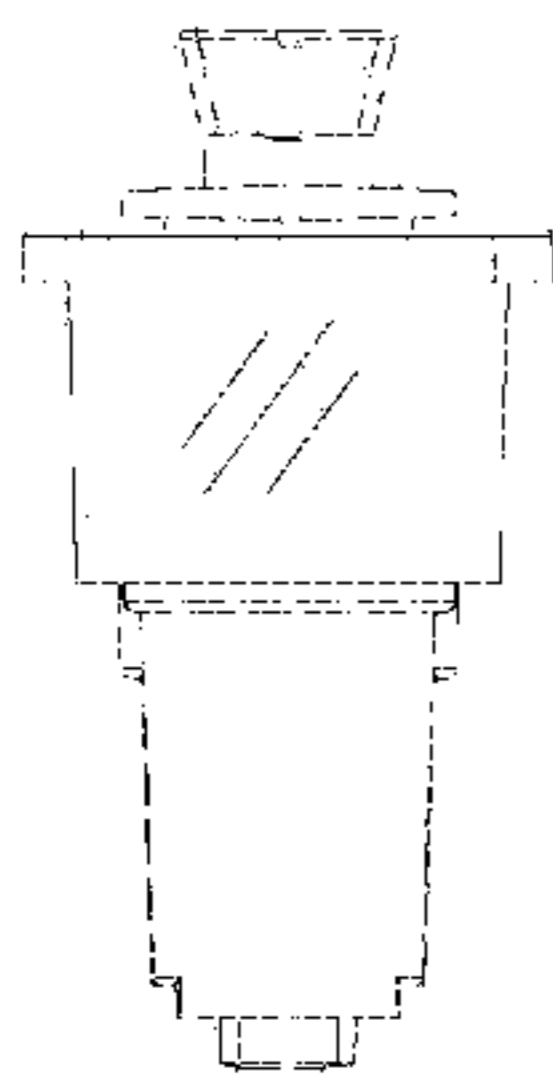


FIG. 4

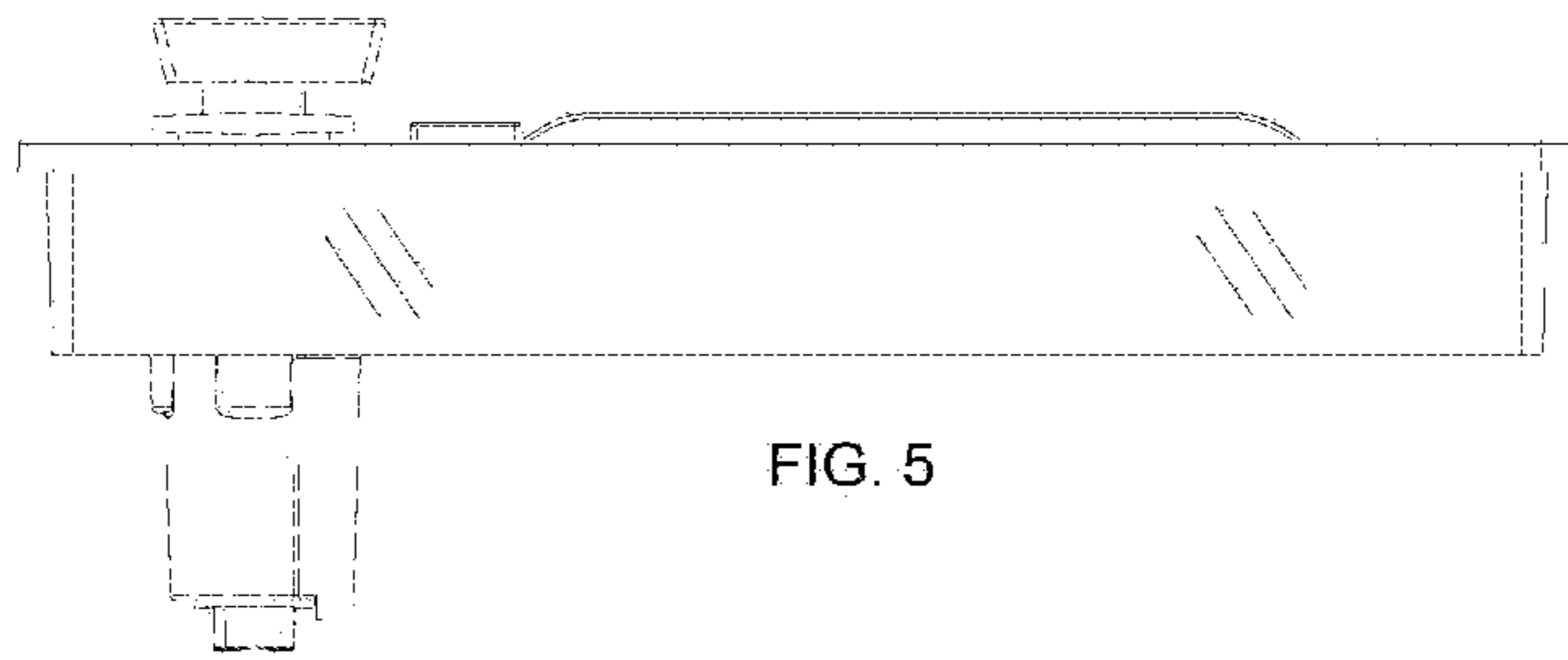


FIG. 5

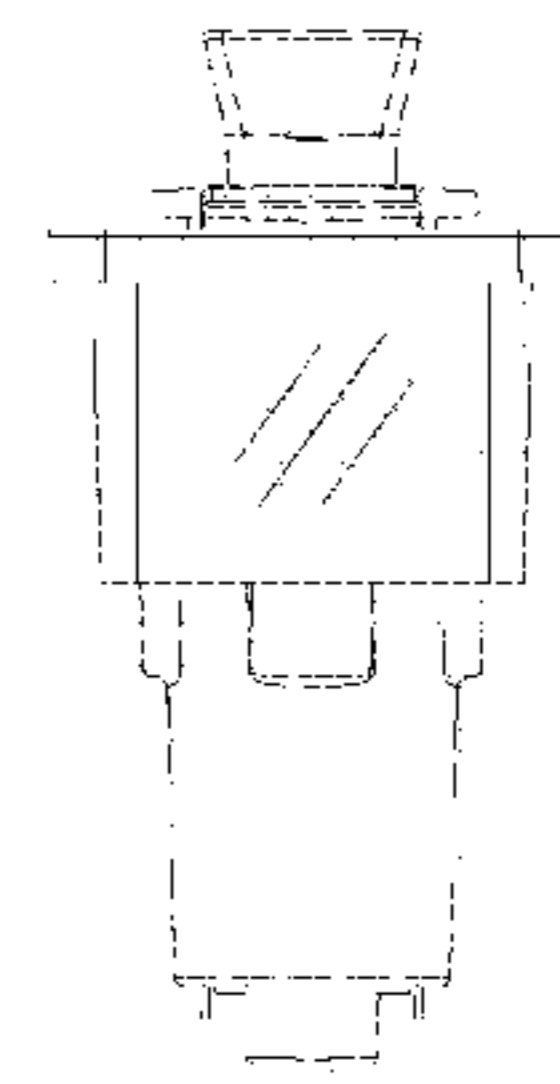


FIG. 6