



US00D752948S

(12) **United States Design Patent**
Gokcebay et al.

(10) **Patent No.:** **US D752,948 S**
(45) **Date of Patent:** **** Apr. 5, 2016**

(54) **RECESS MOUNT ELECTRONIC CAM LOCK**

(71) Applicant: **Security People, Inc.**, Petaluma, CA (US)

(72) Inventors: **Asil T. Gokcebay**, Petaluma, CA (US);
Julian Peck, San Rafael, CA (US); **Kelly Kodama**, Walnut Creek, CA (US)

(73) Assignee: **Security People, Inc.**, Petaluma, CA (US)

(**) Term: **15 Years**

(21) Appl. No.: **29/529,611**

(22) Filed: **Jun. 9, 2015**

Related U.S. Application Data

(62) Division of application No. 29/469,260, filed on Oct. 8, 2013, now Pat. No. Des. 731,287.

(51) **LOC (10) Cl.** **08-07**

(52) **U.S. Cl.**
USPC **D8/331; D8/330**

(58) **Field of Classification Search**
USPC D8/330, 331, 336, 338, 339, 340, 343;
70/14, 2, 51, 57, 57.1, 91, 107, 141,
70/214, 78, 278, 1, 127, 447; 292/2, 32,
292/137, 288, 289, 290, 292, 194-198, 164,
292/165, 257
CPC E05B 49/00; E05B 17/00; E05B 55/00;
E05B 65/00; E05B 47/00
See application file for complete search history.

(56) **References Cited**

U.S. PATENT DOCUMENTS

3,187,528 A * 6/1965 Check E05G 37/16
70/288
D263,279 S * 3/1982 Stolarz D8/338

4,926,664 A * 5/1990 Gartner E05B 47/0012
70/119
4,956,984 A * 9/1990 Chi-Cheng E05B 47/068
70/277
5,020,345 A * 6/1991 Gartner E05B 47/0012
70/277
5,033,282 A * 7/1991 Gartner E05B 47/0012
70/119
5,475,996 A 12/1995 Chen
6,058,746 A 5/2000 Mirshafiee et al.
D485,154 S * 1/2004 Chen D8/331
7,221,272 B2 5/2007 Hosselet
D580,739 S 11/2008 Pelletier et al.
D639,636 S * 6/2011 Krakoff D8/338
D686,055 S 7/2013 Li
D686,056 S 7/2013 Li
8,490,443 B2 7/2013 Gokcebay
8,495,898 B2 7/2013 Gokcebay
8,587,405 B2 11/2013 Denison et al.
8,616,031 B2 12/2013 Ullrich et al.
D698,222 S 1/2014 Guo

* cited by examiner

Primary Examiner — Prabhakar Deshmukh

(74) *Attorney, Agent, or Firm* — Thomas M. Freiburger

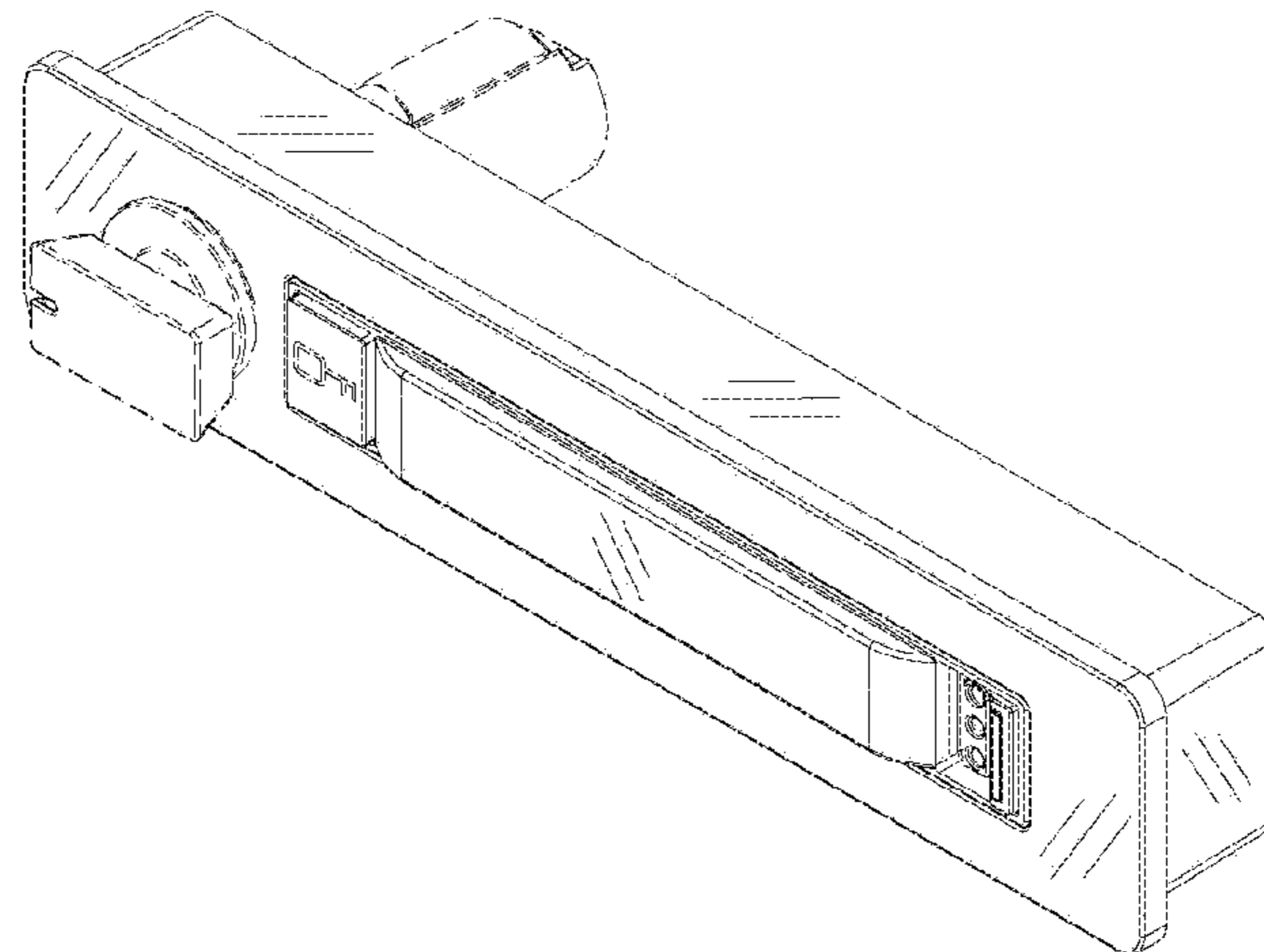
(57) **CLAIM**

The ornamental design for a recess mount electronic cam lock, substantially as shown and described.

DESCRIPTION

FIG. 1 is a front right perspective view of a recess mount electronic cam lock according to our new design;
FIG. 2 is a top plan view thereof;
FIG. 3 is a front elevation view thereof;
FIG. 4 is a left side view thereof;
FIG. 5 is a bottom plan view thereof; and,
FIG. 6 is a right side view thereof.
The broken lines indicate unclaimed portions and form no part of the claimed design. The rear side disclaimed.

1 Claim, 1 Drawing Sheet



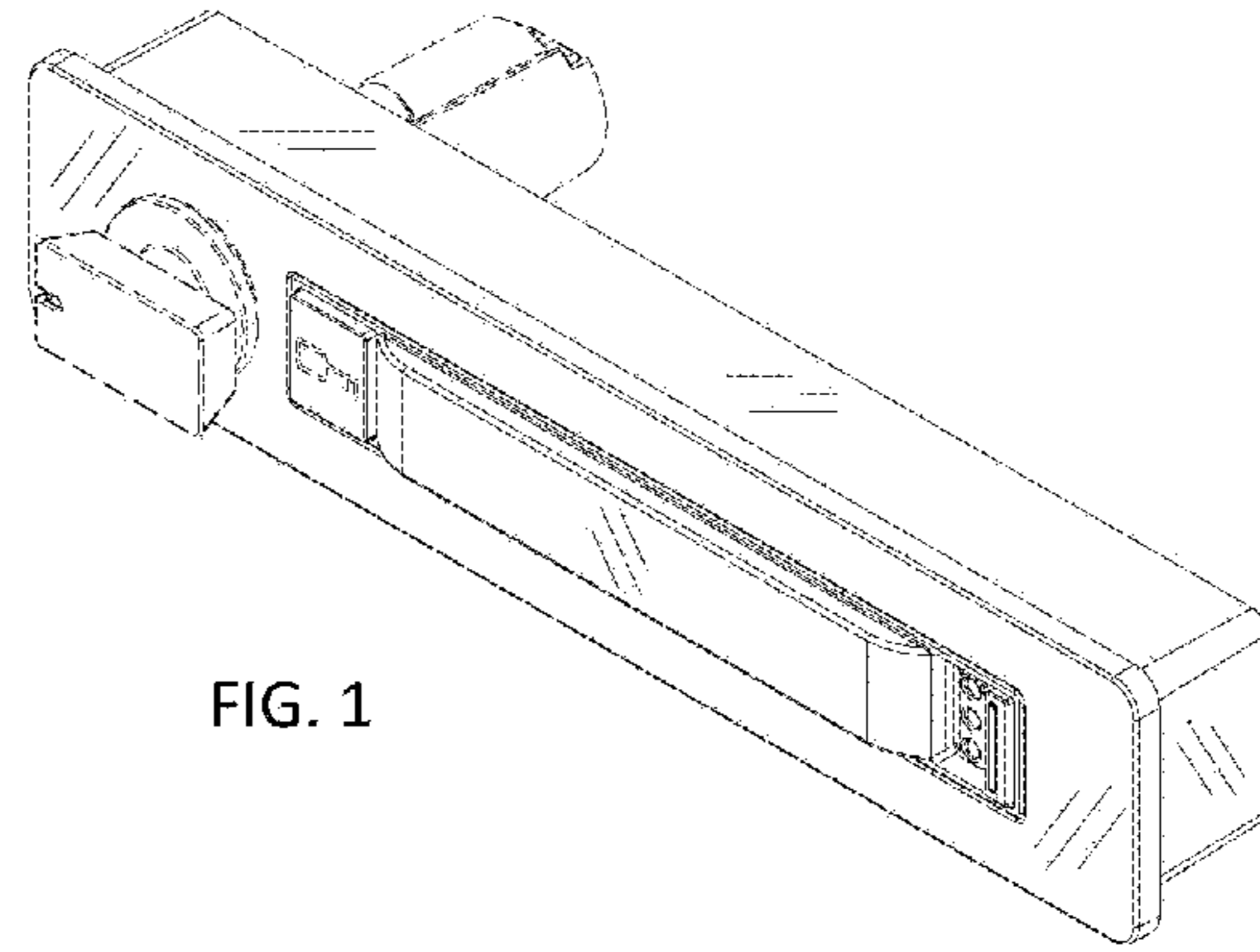


FIG. 1

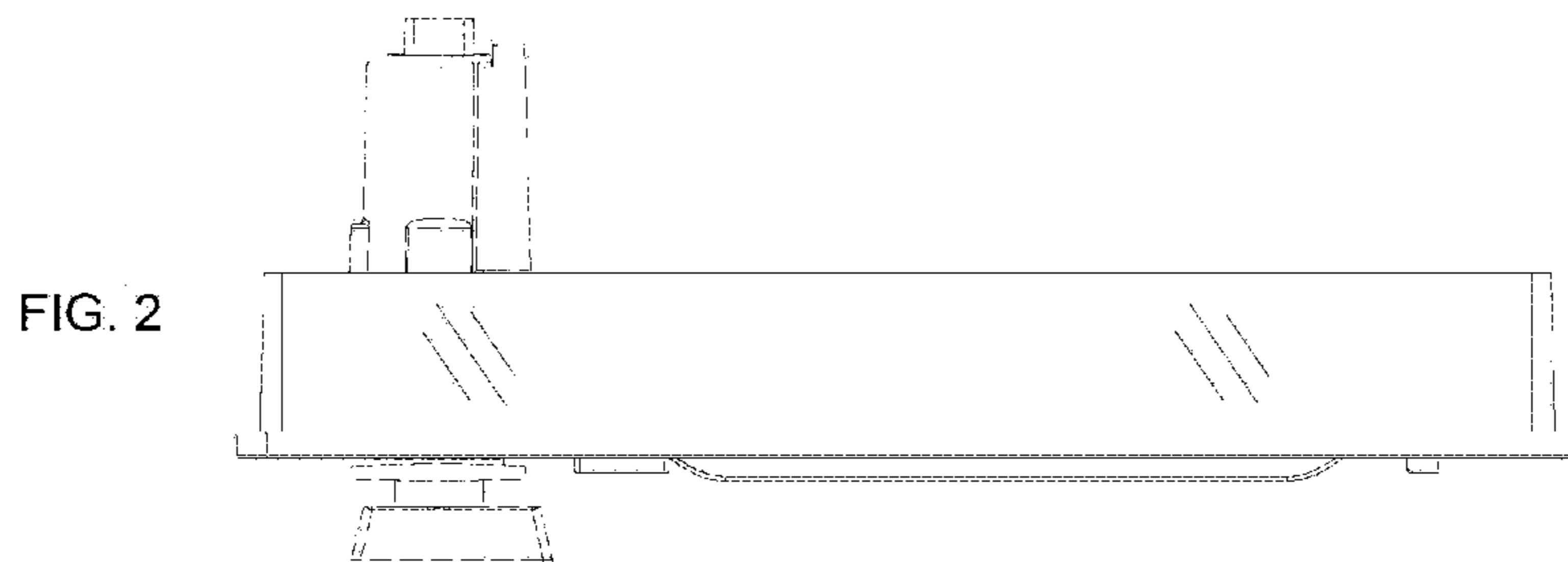


FIG. 2

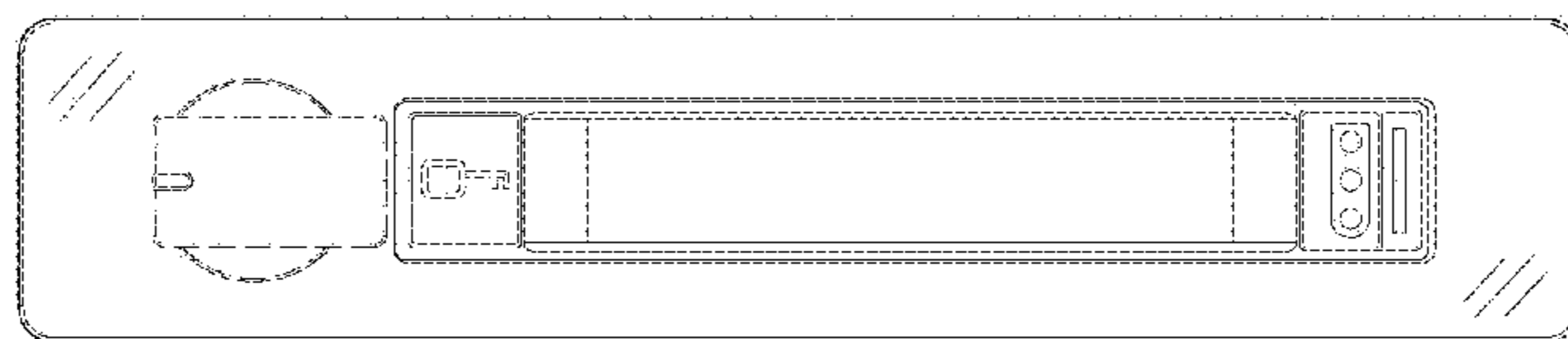


FIG. 3

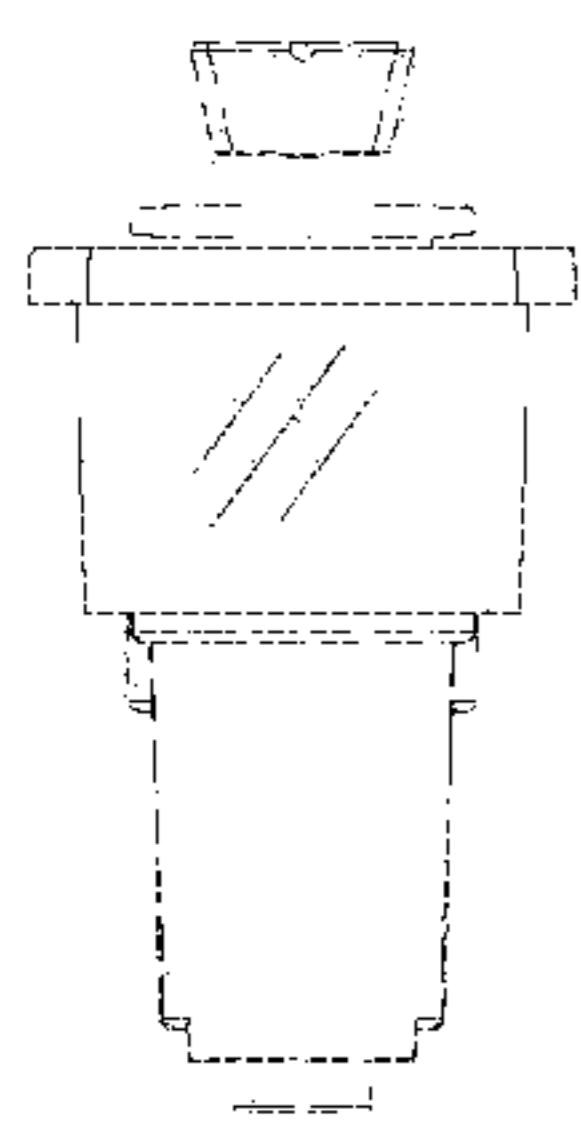


FIG. 4

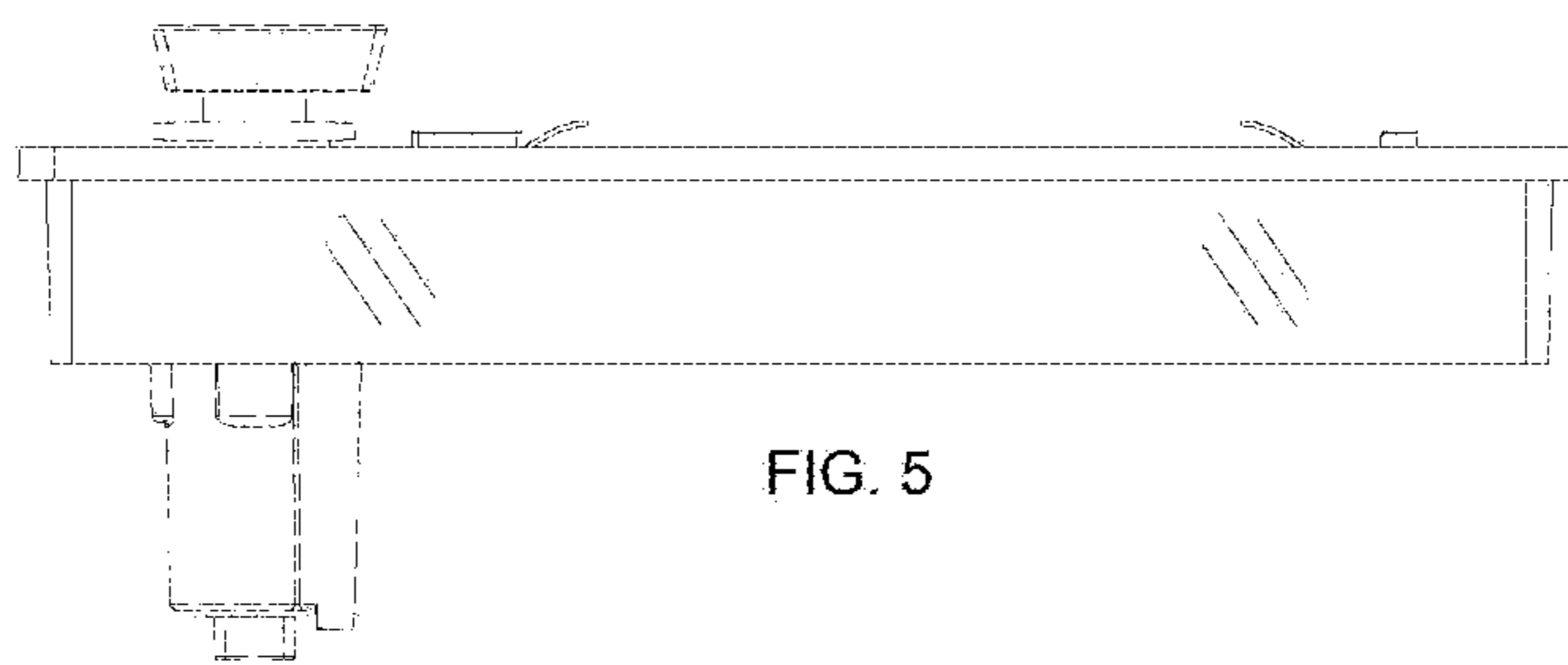


FIG. 5

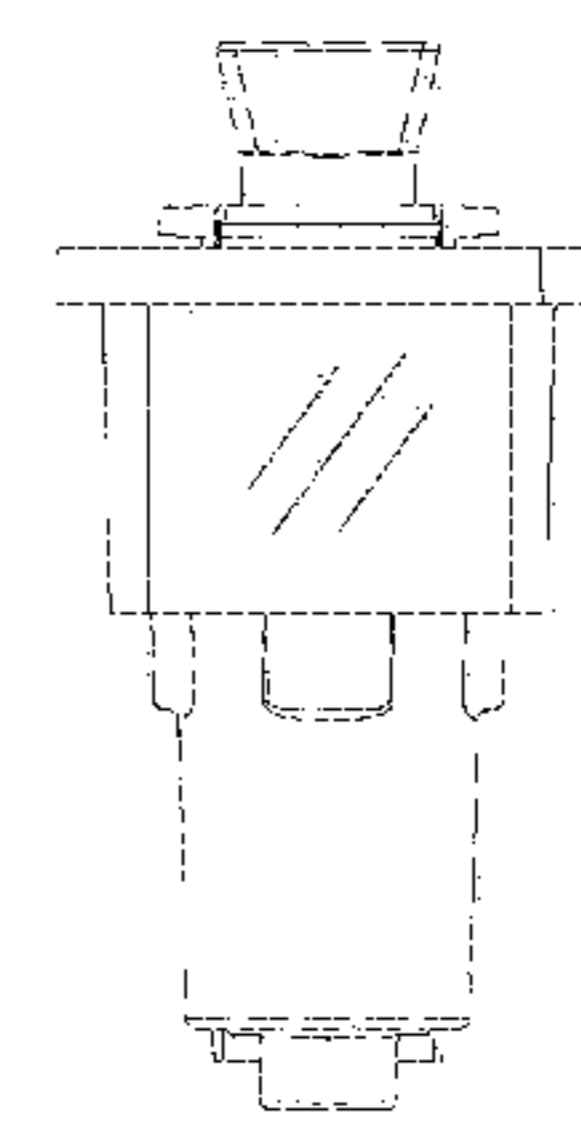


FIG. 6