

US00D752945S

(12) **United States Design Patent**
Gokcebay et al.

(10) **Patent No.:** **US D752,945 S**
(45) **Date of Patent:** **** Apr. 5, 2016**

(54) RECESS MOUNT ELECTRONIC CAM LOCK	4,926,664 A *	5/1990	Gartner	E05B 47/0012 70/119
(71) Applicant: Security People, Inc. , Petaluma, CA (US)	4,956,984 A *	9/1990	Chi-Cheng	E05B 47/068 70/277
	5,020,345 A *	6/1991	Gartner	E05B 47/0012 70/277
(72) Inventors: Asil T. Gokcebay , Petaluma, CA (US); Julian Peck , San Rafael, CA (US); Kelly Kodama , Walnut Creek, CA (US)	5,033,282 A *	7/1991	Gartner	E05B 47/0012 70/119
	5,475,996 A	12/1995	Chen	
	6,058,746 A	5/2000	Mirshafiee et al.	
(73) Assignee: Security People, Inc. , Petaluma, CA (US)	D485,154 S *	1/2004	Chen	D8/331
	7,221,272 B2	5/2007	Hosselet	
	D580,739 S	11/2008	Pelletier et al.	
(**) Term: 14 Years	D639,636 S *	6/2011	Krakoff	D8/338
	D686,055 S	7/2013	Li	
	D686,056 S	7/2013	Li	
(21) Appl. No.: 29/514,371	8,490,443 B2	7/2013	Gokcebay	
	8,495,898 B2	7/2013	Gokcebay	
(22) Filed: Jan. 12, 2015	8,587,405 B2	11/2013	Denison et al.	
	8,616,031 B2	12/2013	Ullrich et al.	
	D698,222 S	1/2014	Guo	

Related U.S. Application Data

(62) Division of application No. 29/469,250, filed on Oct. 8, 2013, now Pat. No. Des. 731,286.

(51) **LOC (10) Cl.** **08-07**

(52) **U.S. Cl.**
USPC **D8/331; D8/330**

(58) **Field of Classification Search**
USPC D8/330, 331, 336, 338, 339, 340, 343;
70/14, 2, 51, 57, 57.1, 91, 107, 141,
70/214, 78, 278, 1, 127, 447; 292/2, 32,
292/137, 288, 289, 290, 292, 194-198, 164,
292/165, 257
CPC E05B 49/00; E05B 17/00; E05B 55/00;
E05B 65/00; E05B 47/00
See application file for complete search history.

(56) **References Cited**

U.S. PATENT DOCUMENTS

3,187,528 A * 6/1965 Check E05B 37/16
70/288
D263,279 S * 3/1982 Stolarz D8/338

* cited by examiner

Primary Examiner — Prabhakar Deshmukh

(74) *Attorney, Agent, or Firm* — Thomas M. Freiburger

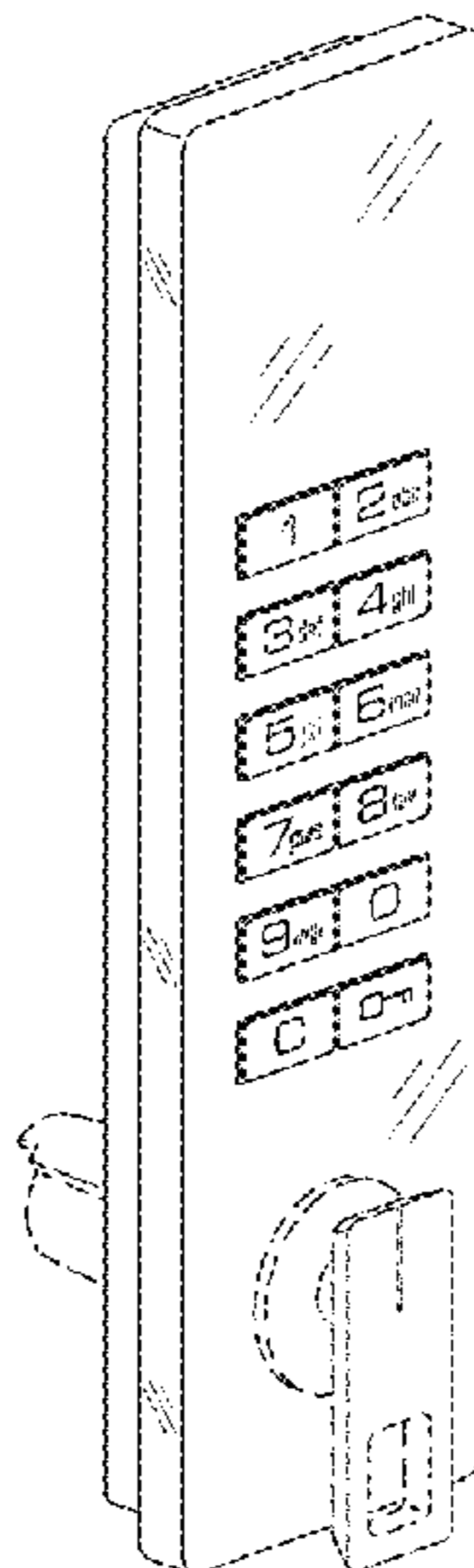
(57) **CLAIM**

The ornamental design for a recess mount electronic cam lock, substantially as shown and described.

DESCRIPTION

FIG. 1 is a front left perspective view of a recess mount electronic cam lock according to our new design;
FIG. 2 is a top plan view thereof;
FIG. 3 is a left side view thereof;
FIG. 4 is a front elevation view thereof;
FIG. 5 is a right side view thereof; and,
FIG. 6 is a bottom plan view thereof.
The broken lines indicate unclaimed portions and form no part of the claimed design. The rear side disclaimed.

1 Claim, 1 Drawing Sheet



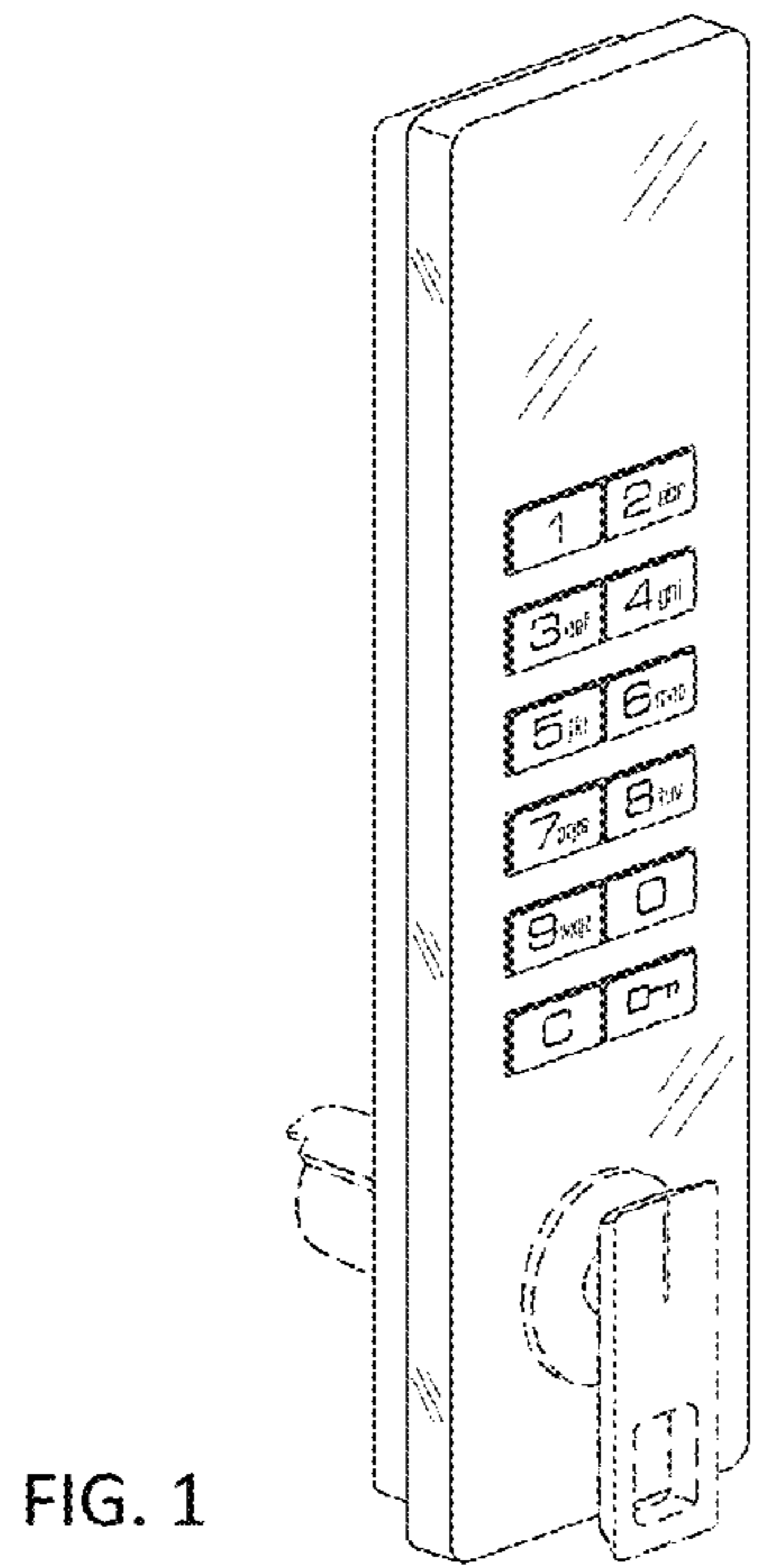


FIG. 1

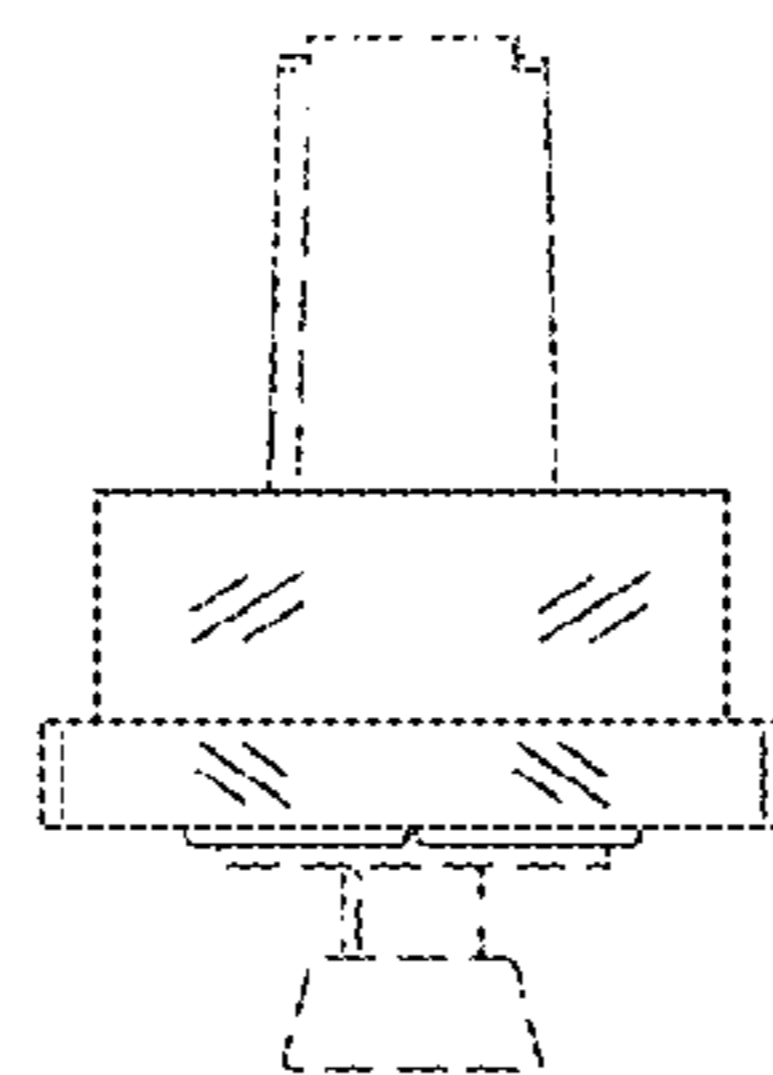


FIG. 2

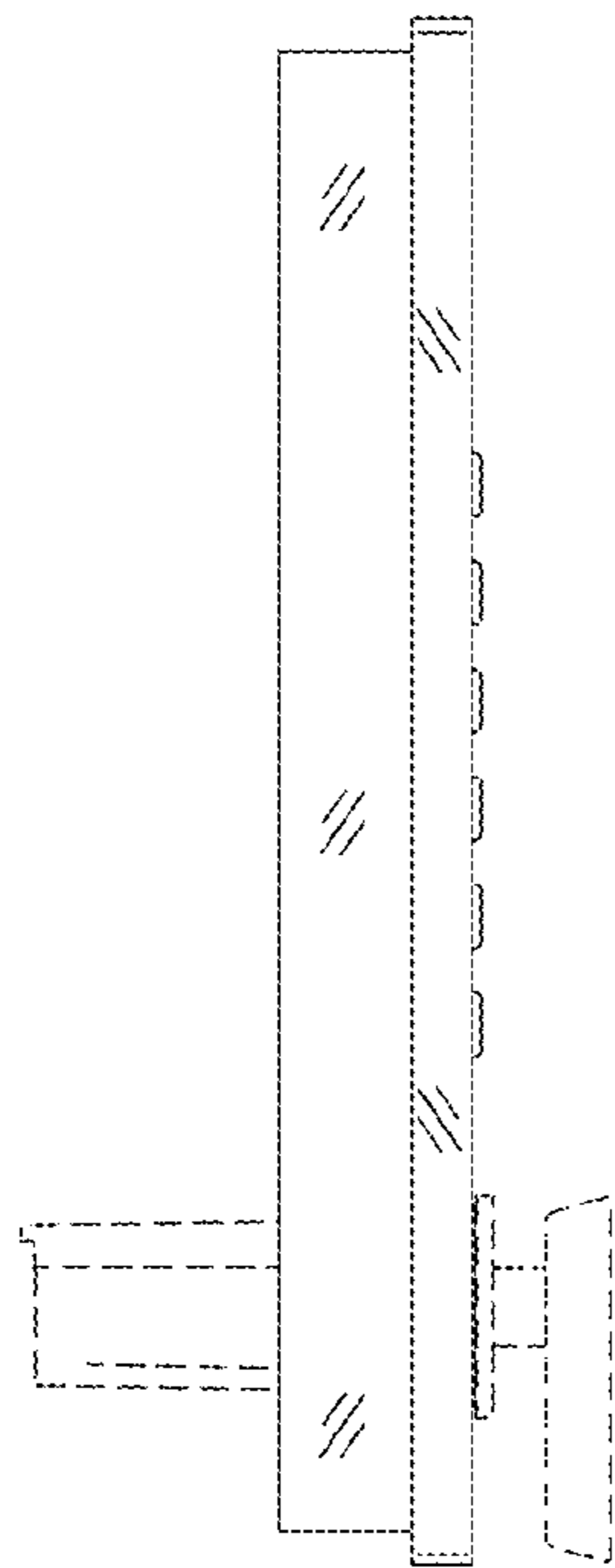


FIG. 3

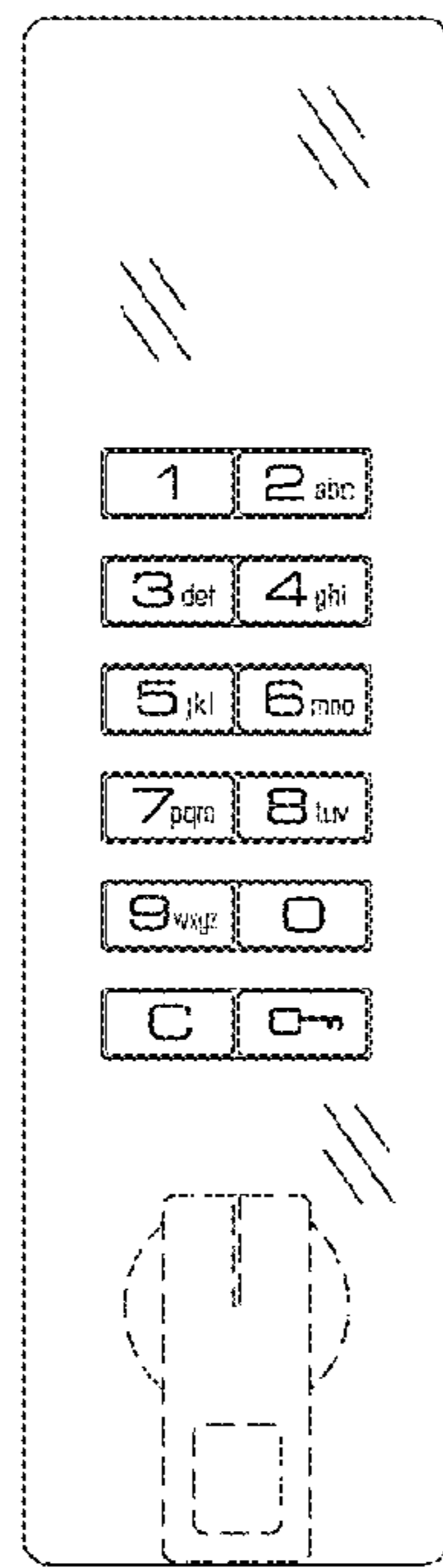


FIG. 4

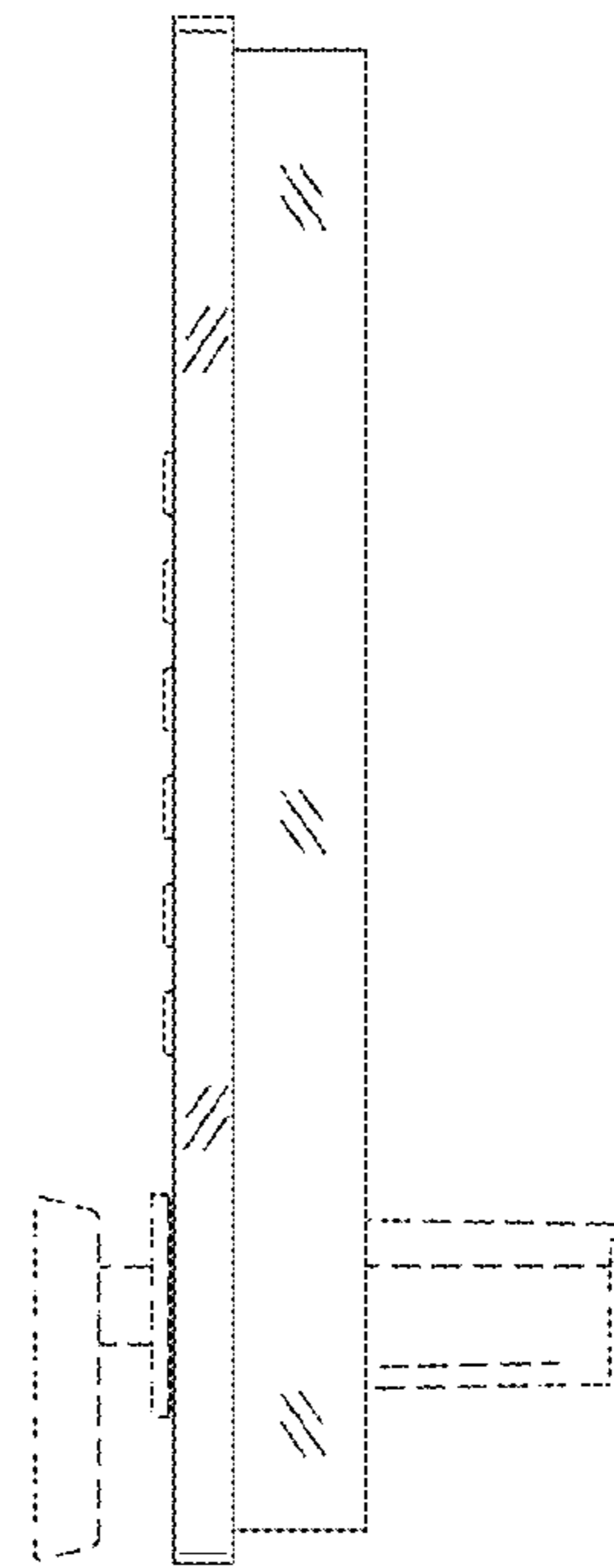


FIG. 5

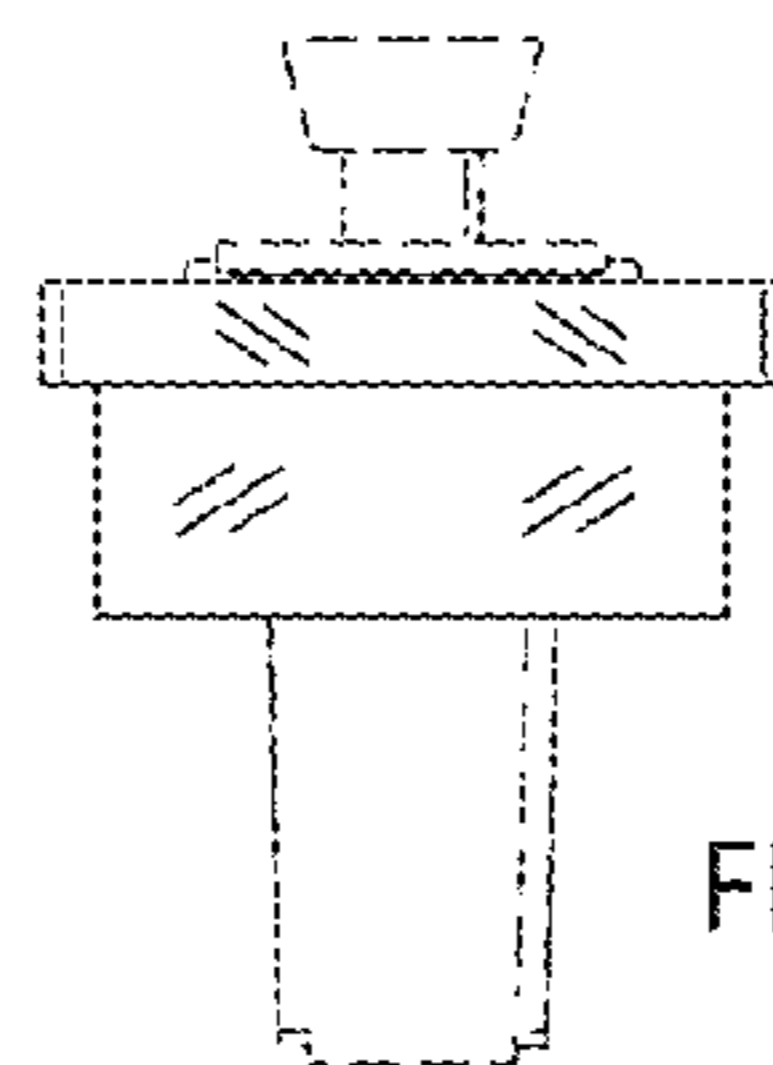


FIG. 6