



US00D752942S

(12) **United States Design Patent**
Rohrbach

(10) **Patent No.:** **US D752,942 S**
(45) **Date of Patent:** **** Apr. 5, 2016**

- (54) **SAFETY CUTTER**
- (71) Applicant: **MARTOR KG**, Solingen (DE)
- (72) Inventor: **Martin Rohrbach**, Horn (DE)
- (73) Assignee: **MARTOR KG**, Solingen (DE)
- (**) Term: **14 Years**
- (21) Appl. No.: **29/496,861**
- (22) Filed: **Jul. 17, 2014**

Related U.S. Application Data

- (62) Division of application No. 29/443,624, filed on Jan. 18, 2013.

Foreign Application Priority Data

Jul. 18, 2012 (EP) 00207588700010024

- (51) **LOC (10) Cl.** **08-03**
- (52) **U.S. Cl.**
USPC **D8/98**
- (58) **Field of Classification Search**
USPC D8/20, 98-99, 102, 104, 105, 107;
30/2, 286-287, 294, 314, 317, 337,
30/353
CPC B43M 7/007; B26B 5/00; B26B 5/006;
B26B 3/04; B26B 3/08; B26B 3/00; B26B
29/00; B26B 29/06
See application file for complete search history.

(56) **References Cited**

U.S. PATENT DOCUMENTS

- 3,673,687 A * 7/1972 Phillips B26B 3/00
30/294
- 4,134,206 A * 1/1979 Beermann B26B 5/006
30/294
- D320,150 S 9/1991 Huang
- D323,967 S 2/1992 Talbot

- 5,282,316 A * 2/1994 Anderson B26B 5/006
30/125
- 5,737,842 A * 4/1998 Freedman B26B 29/02
30/280
- D401,492 S * 11/1998 Joseph, Jr. D8/98
- D508,390 S * 8/2005 Trbovich, Jr. D8/98
- D527,604 S 9/2006 Kempker et al.
- D573,436 S * 7/2008 Wu D8/99
- D575,613 S 8/2008 Jennings
- D633,616 S * 3/2011 Lafauci D24/147
- D636,248 S 4/2011 Still
- D649,001 S 11/2011 Still
- 8,069,571 B2 12/2011 Chung et al.
- D660,674 S 5/2012 Still
- D673,440 S 1/2013 Kempker et al.
- D682,065 S * 5/2013 Gringer D8/98
- D701,741 S * 4/2014 Gringer D8/99
- D714,611 S * 10/2014 Yu Chen D8/98
- D714,612 S * 10/2014 Gropl D8/98
- 2006/0016306 A1 * 1/2006 Conde B26B 3/08
83/13

OTHER PUBLICATIONS

Office Action mailed Jul. 17, 2014, from U.S. Appl. No. 29/443,624 (8 pages).
Final Office Action mailed Feb. 20, 2015, from U.S. Appl. No. 29/443,624 (7 pages).

* cited by examiner

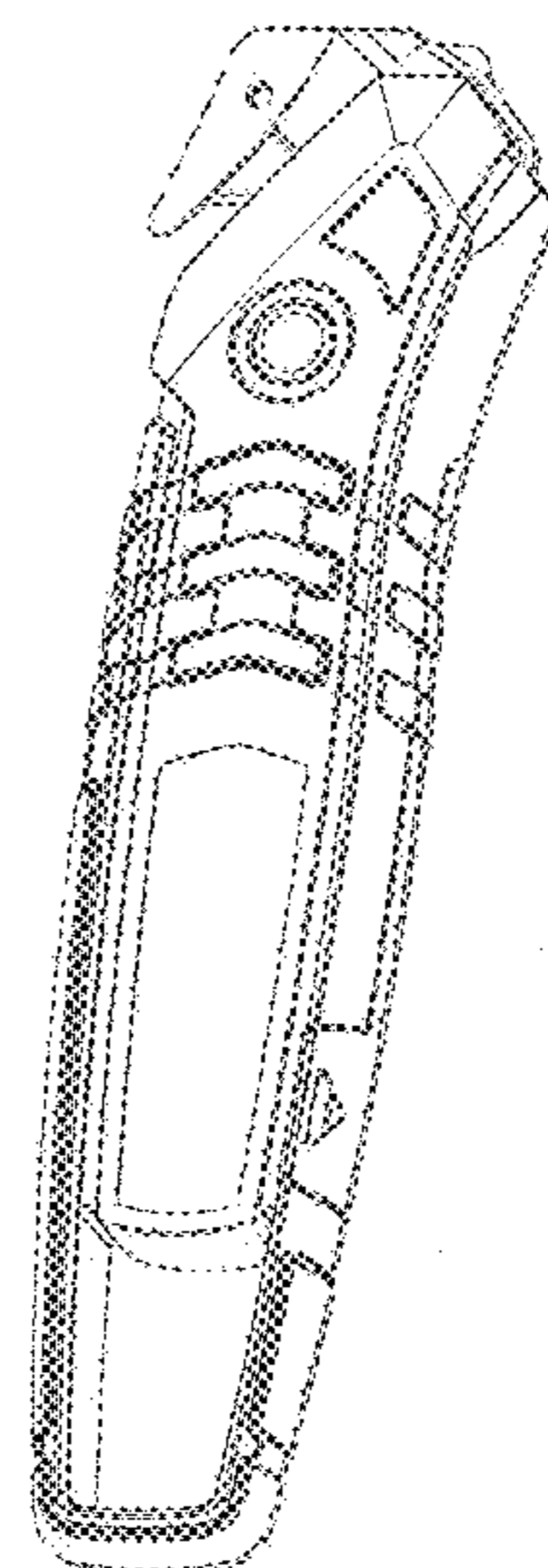
Primary Examiner — Phillip S Hyder
(74) *Attorney, Agent, or Firm* — Kilpatrick Townsend & Stockton LLP

(57) **CLAIM**
The ornamental design for a safety cutter, as shown and described.

DESCRIPTION

FIG. 1 is a rear perspective black and white line type drawing of a safety cutter showing my new design;
FIG. 2 is a rear elevational view thereof;
FIG. 3 is a right side elevational view thereof; and,
FIG. 4 is a left elevational view thereof.

1 Claim, 4 Drawing Sheets



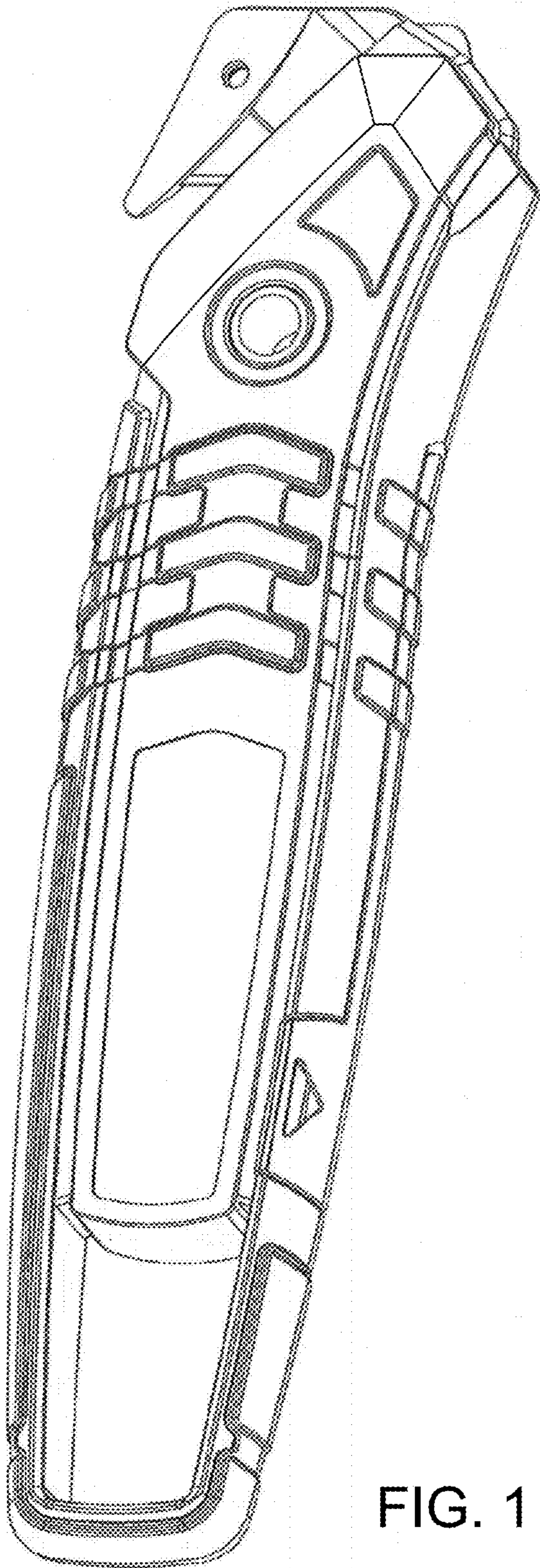


FIG. 1

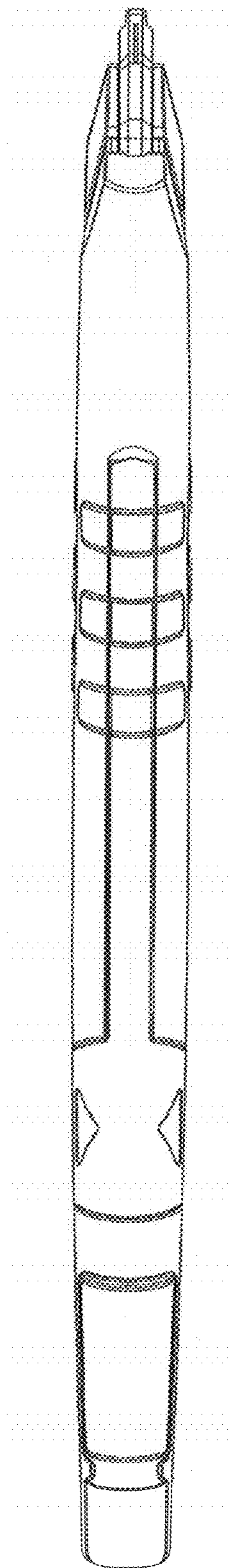


FIG. 2

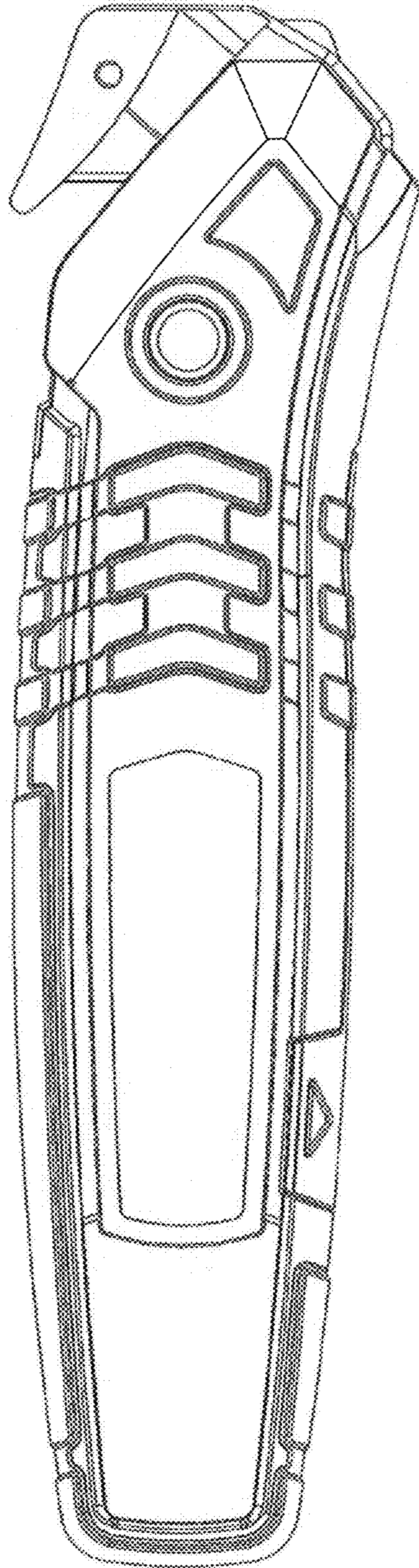


FIG. 3

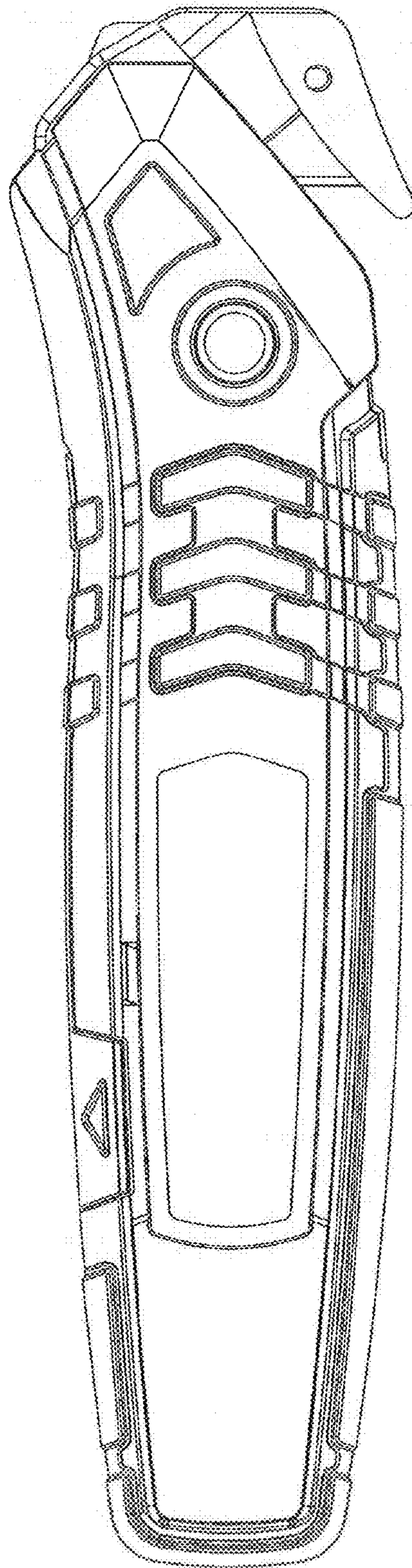


FIG. 4