



US00D752939S

(12) **United States Design Patent**
Goldy et al.

(10) **Patent No.:** **US D752,939 S**
(45) **Date of Patent:** **** Apr. 5, 2016**

(54) **HAMMER AND SCREWDRIVER TOOL**

(71) Applicants: **Robert Goldy**, New York, NY (US);
Edwin Chan, Brooklyn, NY (US)

(72) Inventors: **Robert Goldy**, New York, NY (US);
Edwin Chan, Brooklyn, NY (US)

(73) Assignee: **Trend Right Research And Development Corporation**, New York, NY (US)

(**) Term: **14 Years**

(21) Appl. No.: **29/483,516**

(22) Filed: **Feb. 28, 2014**

(51) **LOC (10) Cl.** **08-02**

(52) **U.S. Cl.**
USPC **D8/81**

(58) **Field of Classification Search**
USPC D8/75-85, 105, 107, 303; 81/19-26,
81/489-490; 76/103; D22/117; D21/756;
473/302
CPC A63B 49/08; A63B 53/14; A63B 53/16;
A63B 59/0014; A63B 59/0029; B25G 1/00;
B25G 1/01; B25G 1/02; B25G 1/04; B25G
1/10; B25G 3/34; B26B 23/00
See application file for complete search history.

(56) **References Cited**

U.S. PATENT DOCUMENTS

83,897 A * 11/1868 Zimmerman 7/146
D11,257 S * 6/1879 Christesen D8/107
D58,663 S * 8/1921 Crampton D8/81
D156,832 S * 1/1950 Jackson D8/81
D192,101 S * 1/1962 Brown, Jr. D8/81

D203,134 S * 12/1965 Lowe, III D8/81
D390,485 S * 2/1998 Atterbury et al. D10/80
5,855,401 A * 1/1999 Papernik 294/2
7,291,116 B2 * 11/2007 Kirchner 600/553
D695,584 S * 12/2013 Chen D8/70
D700,488 S * 3/2014 Rapko et al. D8/51

OTHER PUBLICATIONS

Hammer-Screwdriver Combination Tool. Downloaded Jul. 13, 2015 from <http://www.schoolhouseelectric.com/hammer-screwdriver-combination-tool.html>.*

* cited by examiner

Primary Examiner — Philip S Hyder

Assistant Examiner — Roselynn Cody

(74) *Attorney, Agent, or Firm* — Dinsmore & Shohl LLP

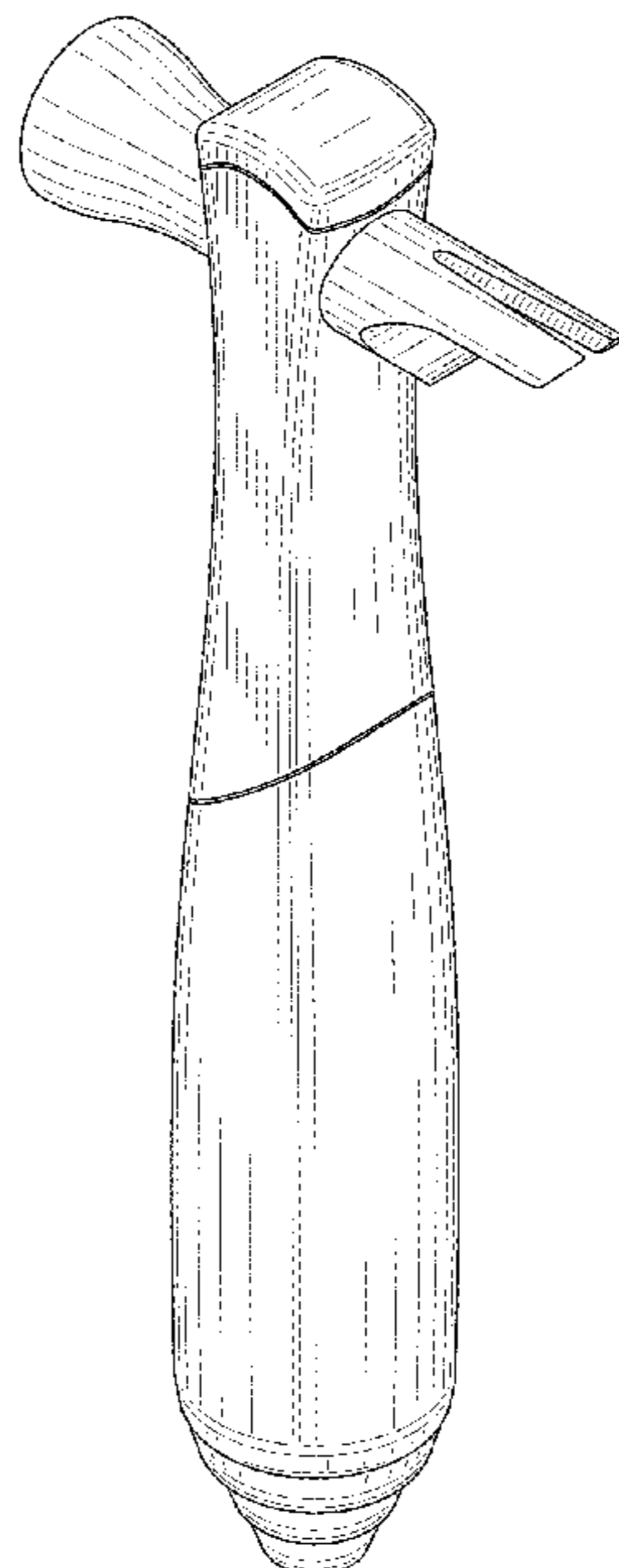
(57) **CLAIM**

The ornamental design for a hammer and screwdriver tool, as shown and described.

DESCRIPTION

FIG. 1 is a perspective view of a hammer and screwdriver tool according to an embodiment of the present design;
FIG. 2 is a front elevation view of the hammer and screwdriver tool of FIG. 1;
FIG. 3 is a rear elevation view of the hammer and screwdriver tool of FIG. 1;
FIG. 4 is a right elevation view of the hammer and screwdriver tool of FIG. 1;
FIG. 5 is a left elevation view of the hammer and screwdriver tool of FIG. 1;
FIG. 6 is a top view of the hammer and screwdriver tool of FIG. 1; and,
FIG. 7 is a bottom view of the hammer and screwdriver tool of FIG. 1.

1 Claim, 5 Drawing Sheets



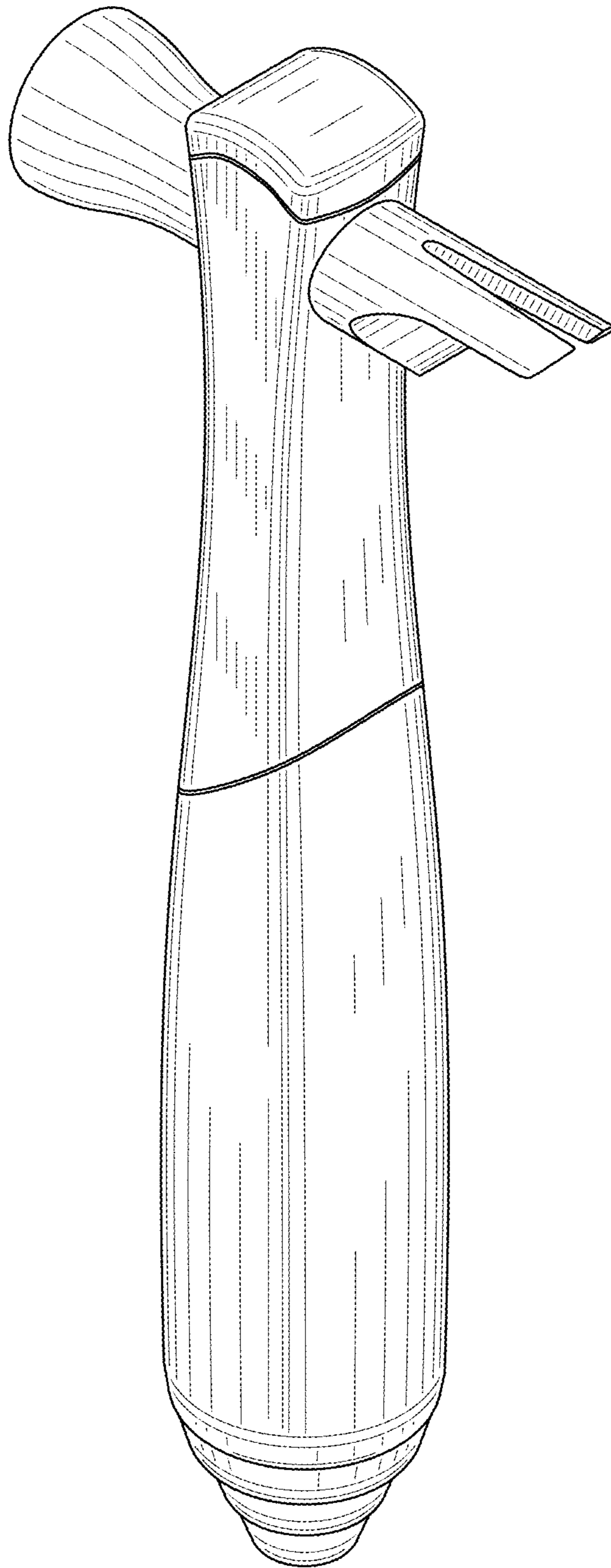


FIG. 1

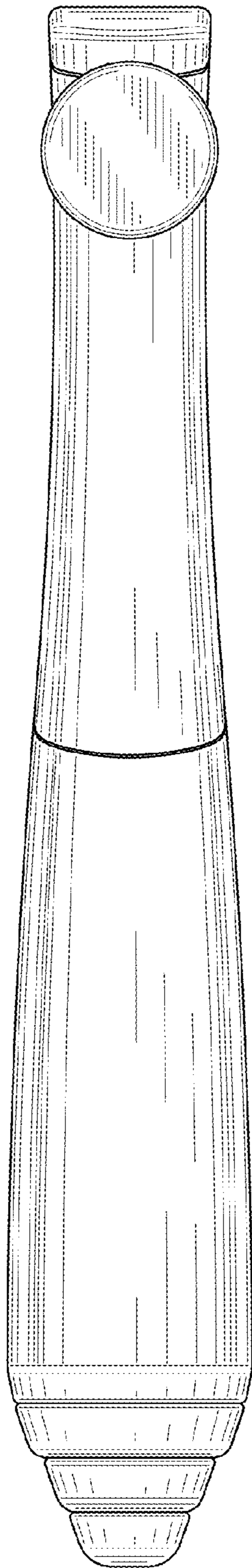


FIG. 2

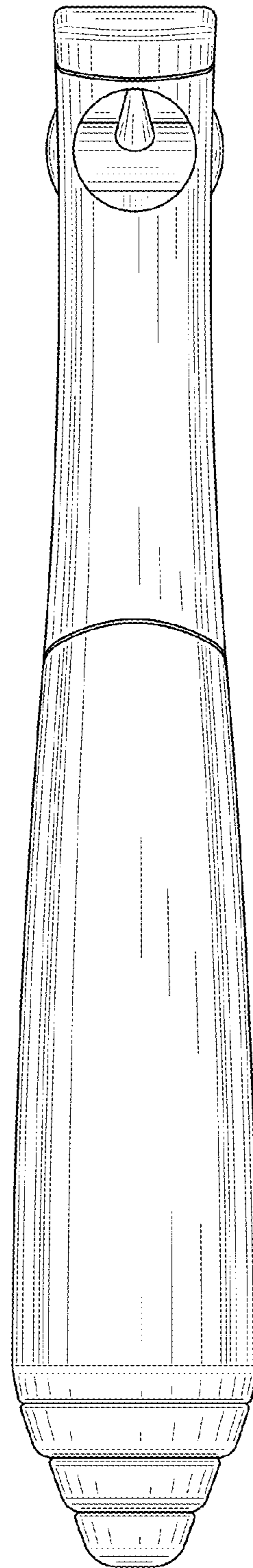


FIG. 3

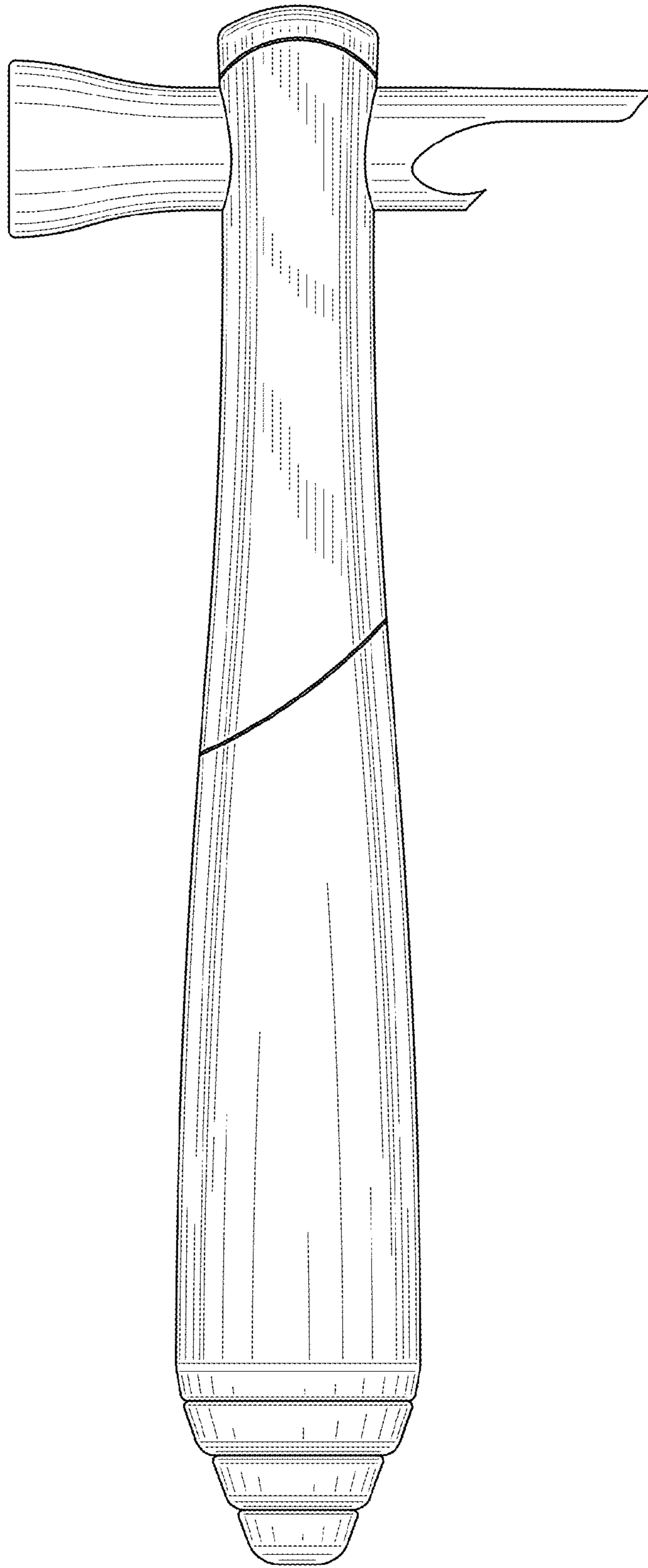


FIG. 4

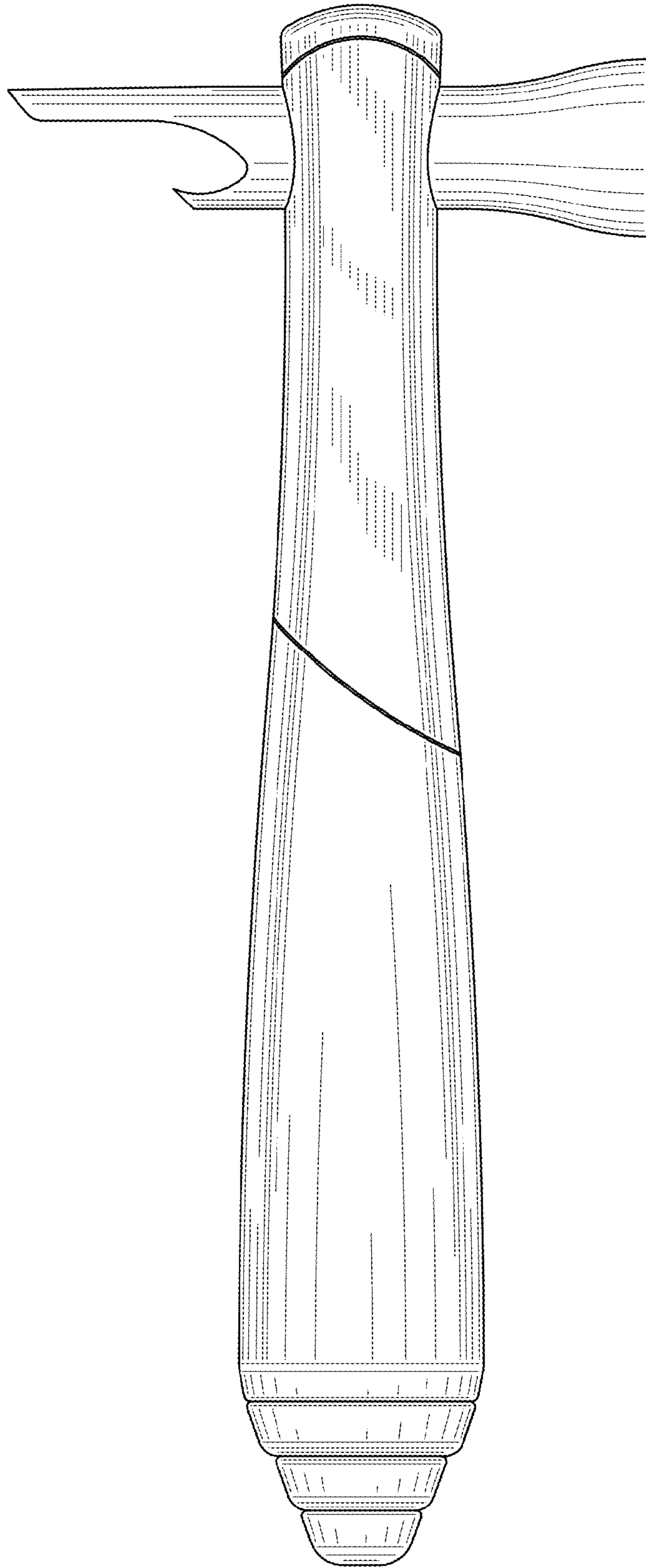


FIG. 5

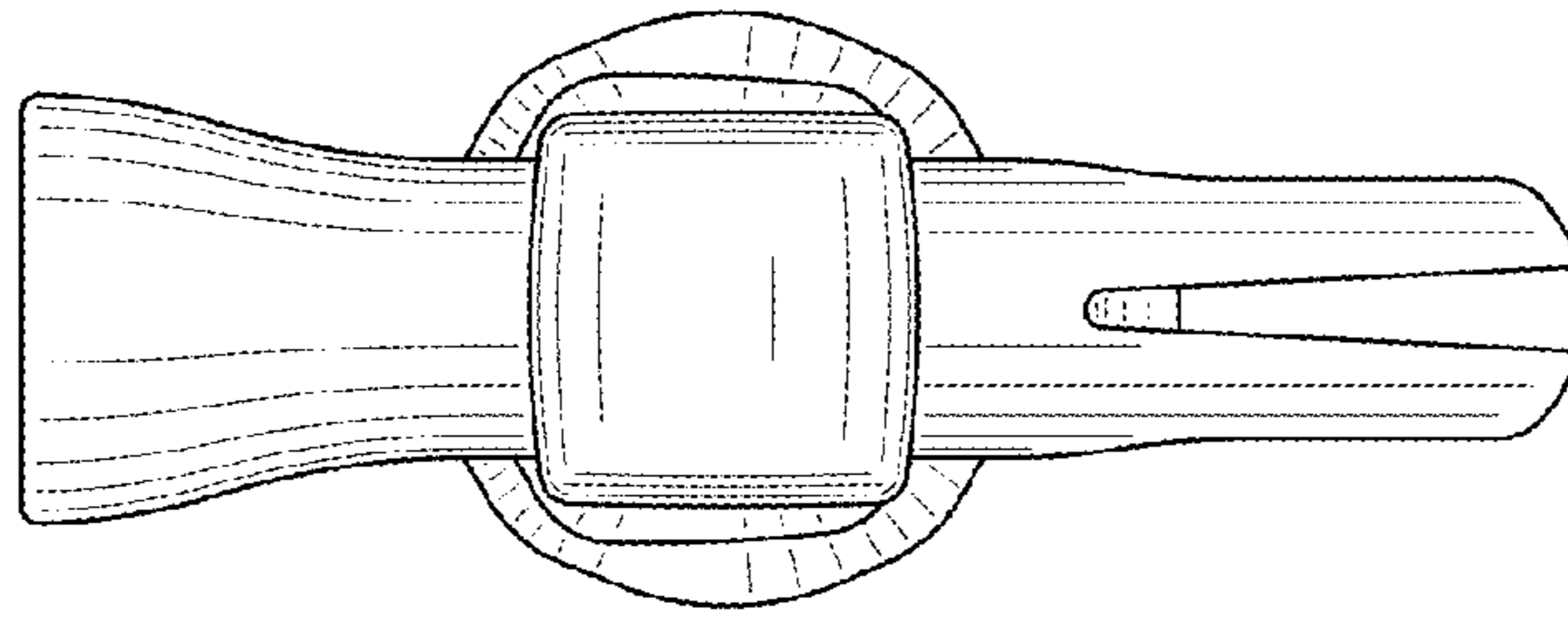


FIG. 6

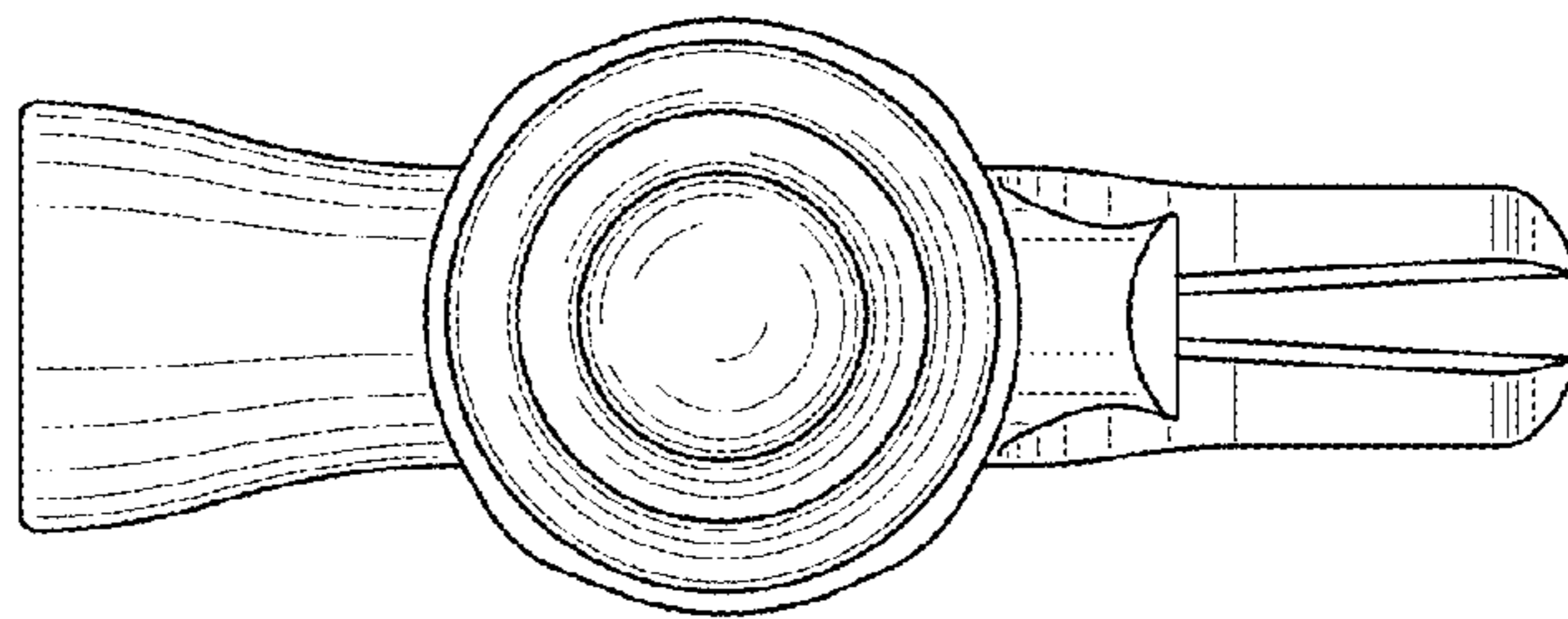


FIG. 7