



US00D752936S

(12) **United States Design Patent**  
**King et al.**

(10) **Patent No.:** **US D752,936 S**  
(45) **Date of Patent:** **\*\* Apr. 5, 2016**

(54) **RIVET SETTING TOOL**  
(71) Applicant: **Avdel UK Limited**, Hertfordshire (GB)  
(72) Inventors: **Richard King**, Hertfordshire (GB);  
**Hiroyuki Masugata**, Aichi (JP)  
(\*\*) Term: **14 Years**  
(21) Appl. No.: **29/506,791**  
(22) Filed: **Oct. 20, 2014**  
(51) **LOC (10) Cl.** ..... **08-03**  
(52) **U.S. Cl.**  
USPC ..... **D8/68**  
(58) **Field of Classification Search**  
USPC ..... D8/61, 67, 68; 81/57.4, 489; 173/48,  
173/109, 170, 178, 217; 408/124, 125;  
362/119; 475/149  
CPC .... B62D 23/005; B62D 29/00; B62D 29/043;  
B62D 31/00; B62D 33/046; B62D 35/00;  
B62D 35/001; B60Q 1/0005  
See application file for complete search history.

D521,340 S \* 5/2006 Lin ..... D8/68  
7,082,657 B1 \* 8/2006 Lin ..... B21J 15/043  
29/243.523  
7,284,404 B2 \* 10/2007 Lin ..... B25B 27/0014  
29/243.525  
7,818,858 B2 \* 10/2010 Daniels ..... F16G 3/16  
198/844.2  
D681,413 S \* 5/2013 Kita ..... D8/61  
8,443,512 B2 \* 5/2013 Masugata ..... B21J 15/043  
29/243.521

\* cited by examiner

*Primary Examiner* — Philip S Hyder

*Assistant Examiner* — Darlington Ly

(74) *Attorney, Agent, or Firm* — Kofi Schulerbrandt;  
Michael P. Leary

(57) **CLAIM**

The ornamental design for a rivet setting tool, as shown and described.

**DESCRIPTION**

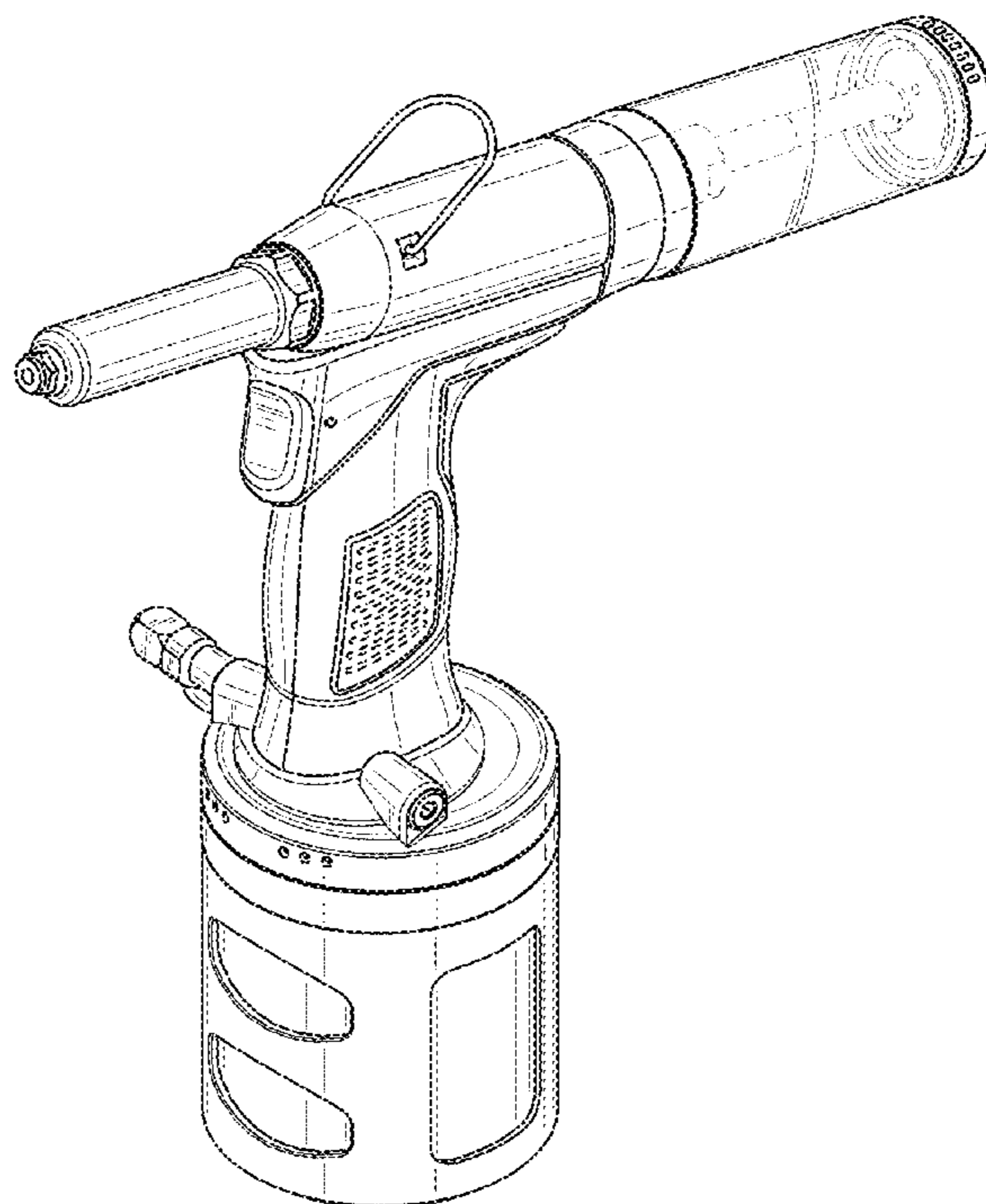
FIG. 1 is a front and right-side perspective view of a rivet setting tool showing our new design;  
FIG. 2 is a front elevation view thereof;  
FIG. 3 is a rear elevation view thereof;  
FIG. 4 is a left-side elevation view thereof;  
FIG. 5 is a right-side elevation view thereof;  
FIG. 6 is a top plan view thereof; and,  
FIG. 7 is a bottom plan view thereof.  
The broken lines in the drawings illustrate portions of the rivet setting tool that forms no part of the claimed design.

**1 Claim, 7 Drawing Sheets**

(56) **References Cited**

U.S. PATENT DOCUMENTS

D256,658 S \* 9/1980 Ewig ..... D8/61  
5,100,023 A \* 3/1992 Varian ..... B21J 15/32  
221/239  
6,732,563 B1 \* 5/2004 Chen ..... B21J 15/043  
29/243.53  
6,978,526 B1 \* 12/2005 Lin ..... B21J 15/105  
29/243.523  
D515,377 S \* 2/2006 Chung ..... D8/68  
D521,339 S \* 5/2006 Chen ..... D8/68



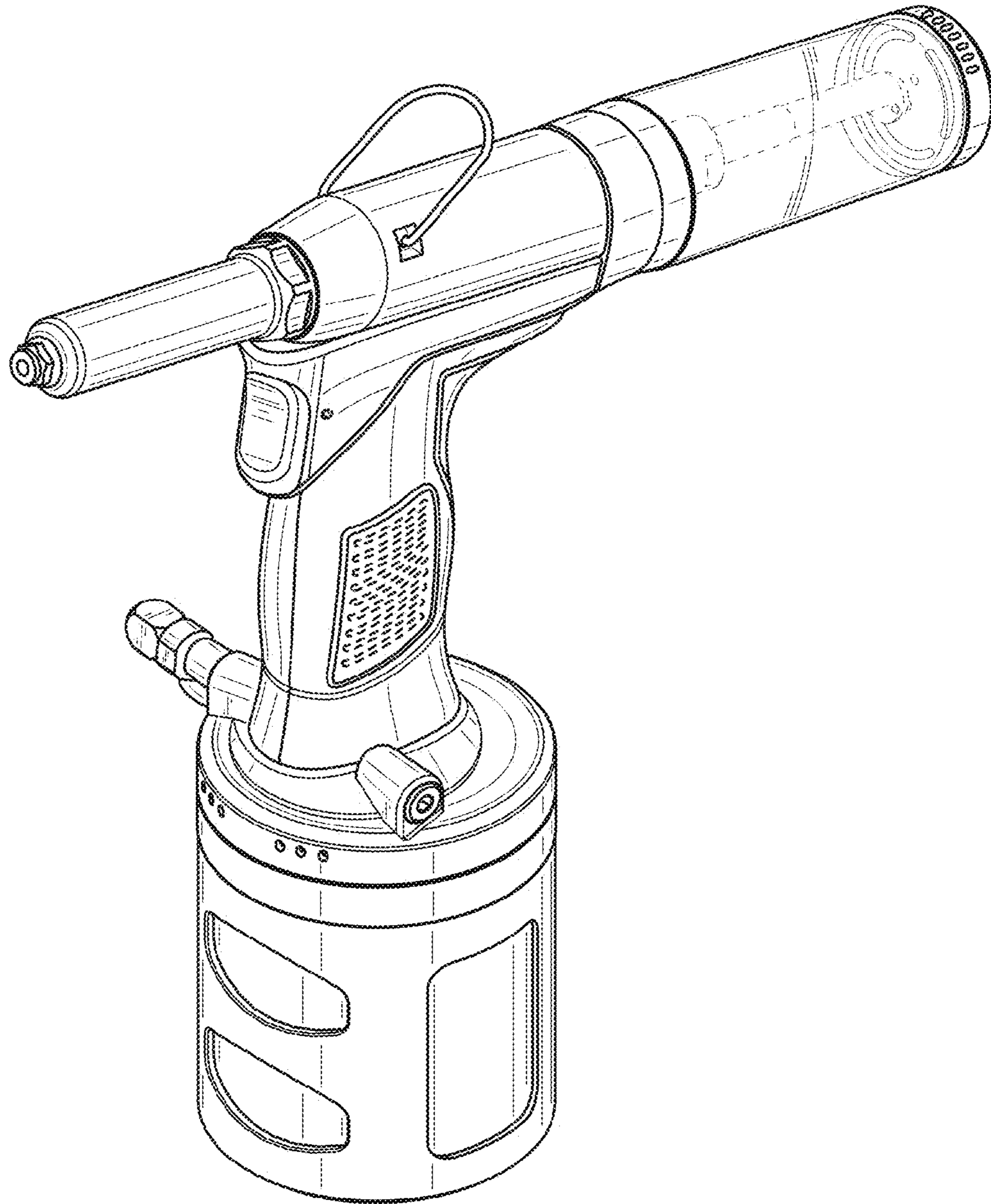


FIG. 1

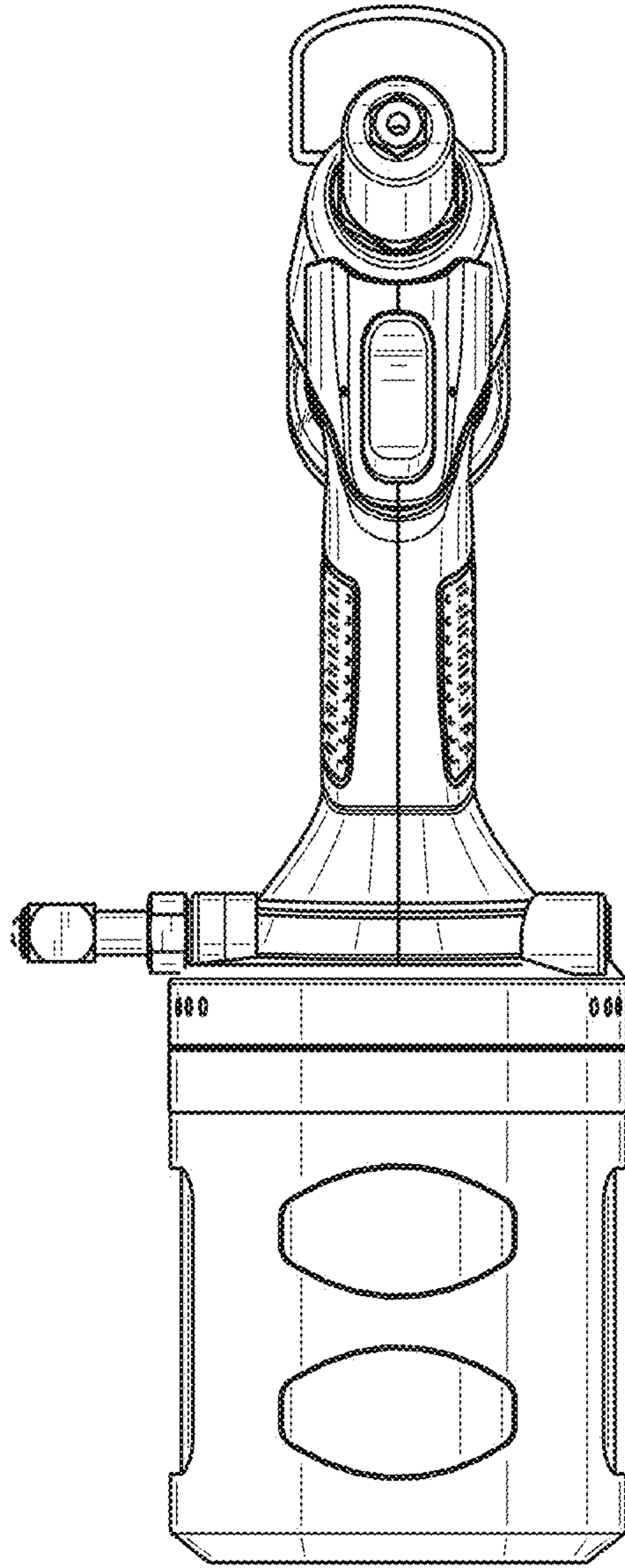


FIG. 2

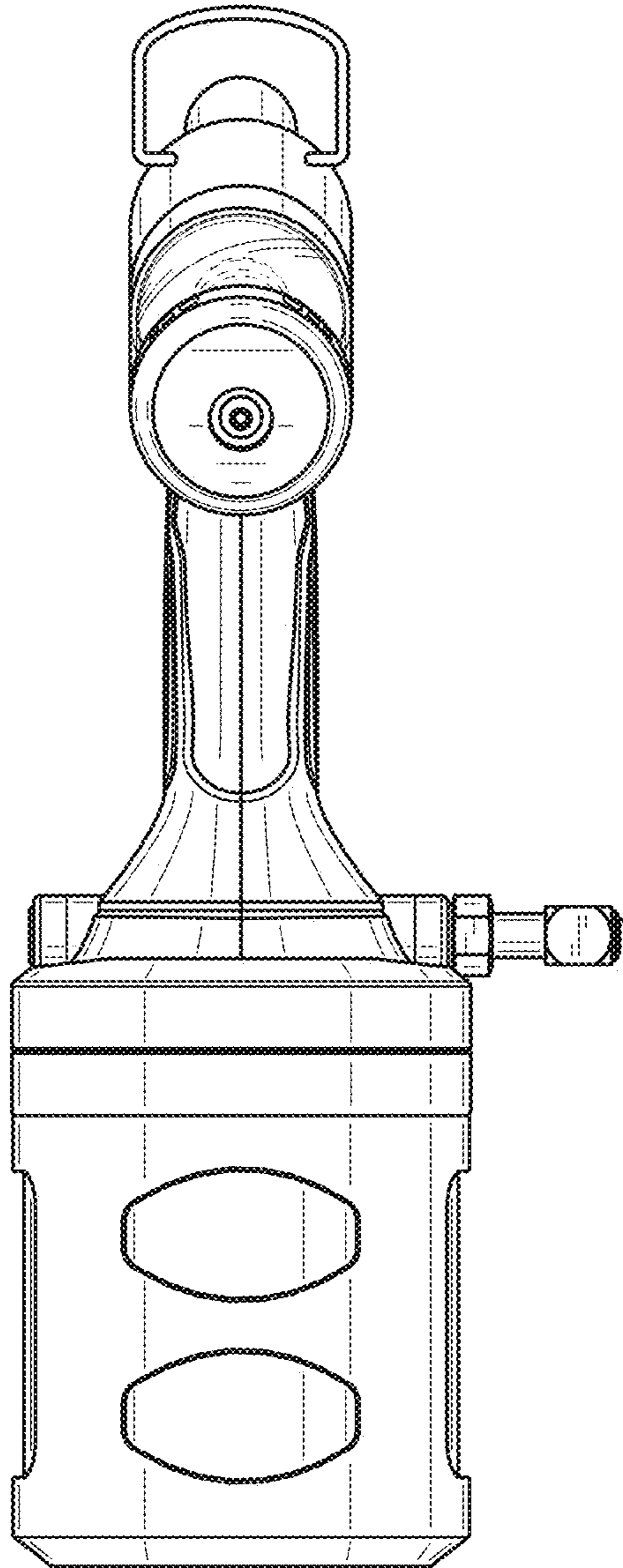


FIG. 3

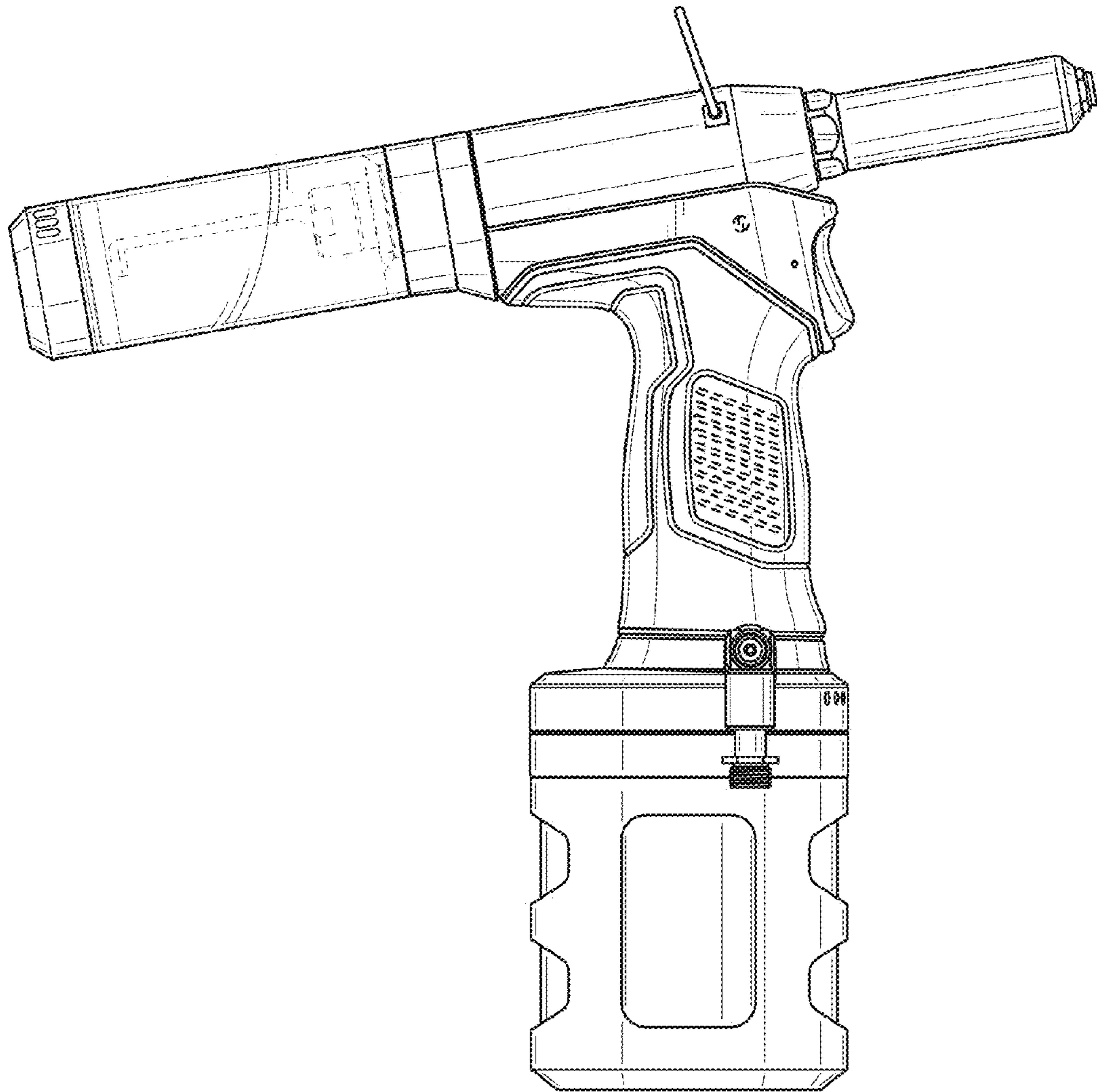


FIG. 4

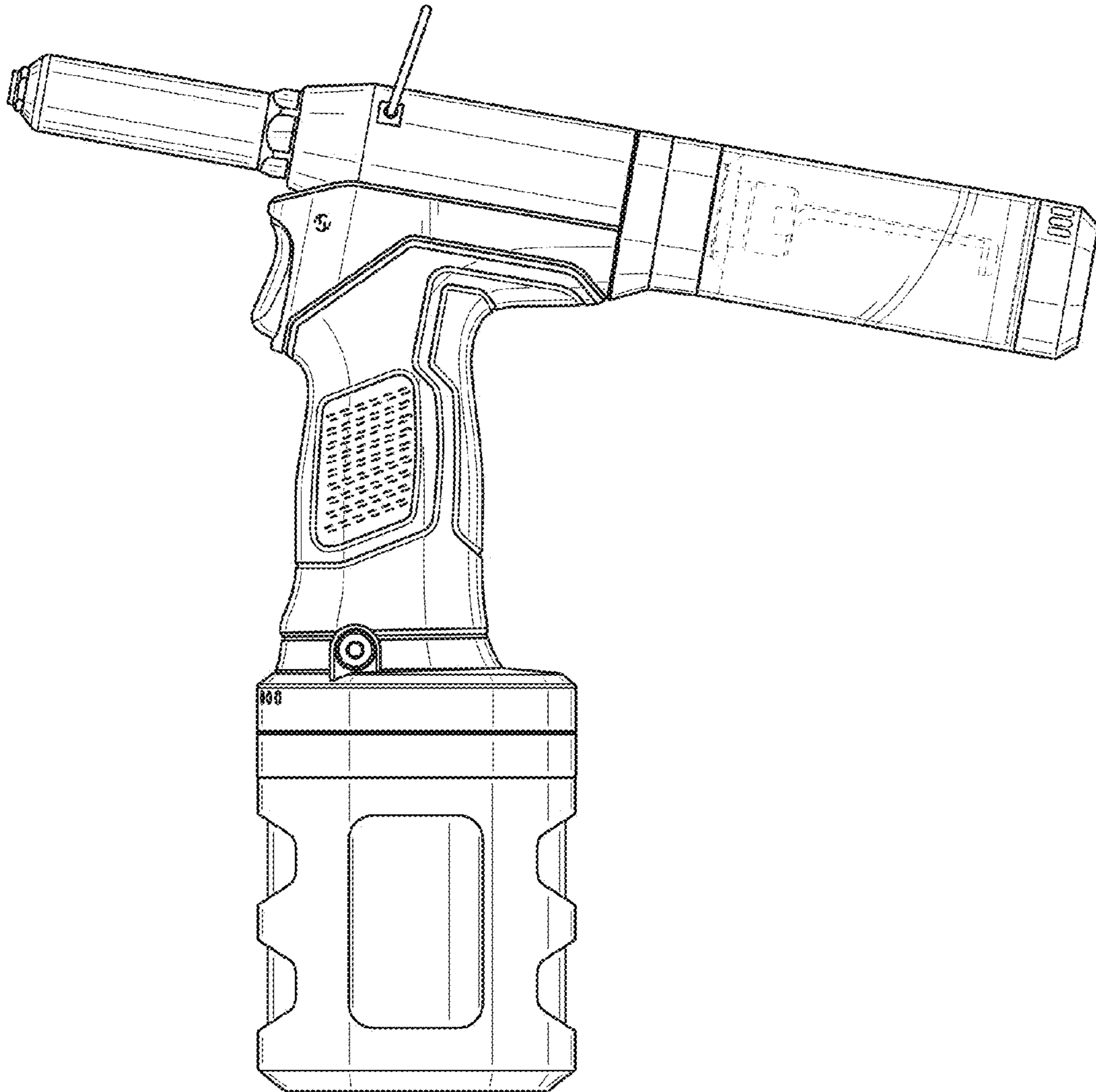


FIG. 5

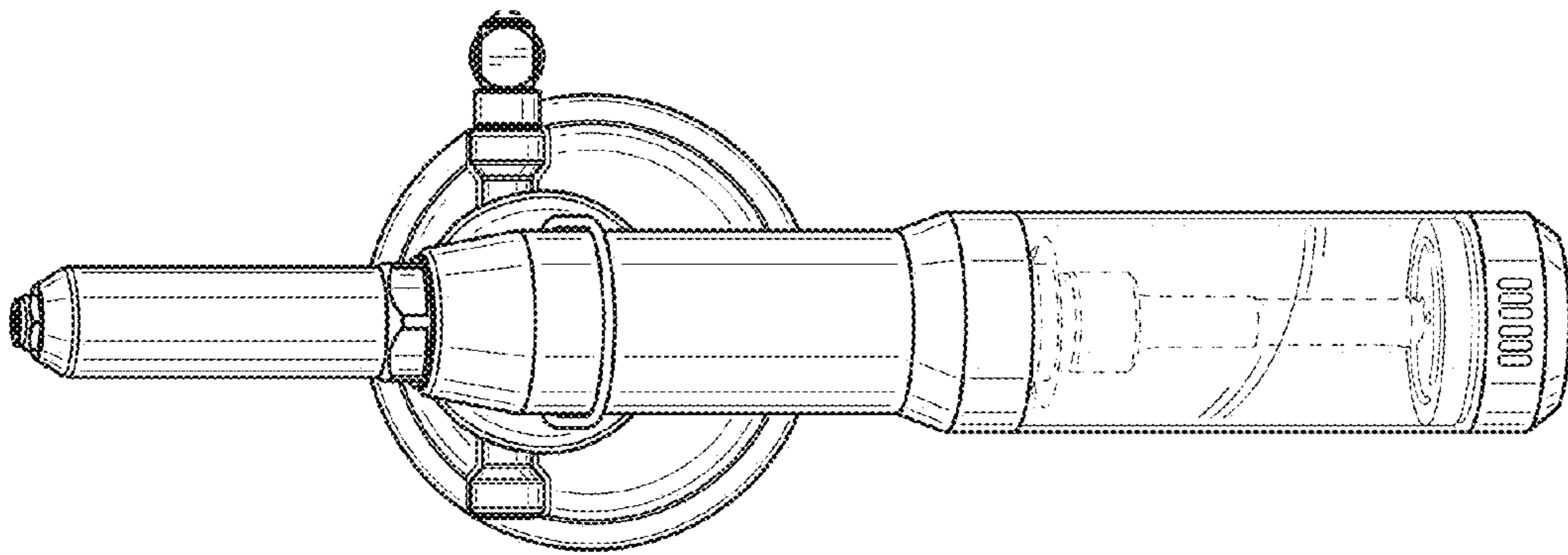


FIG. 6

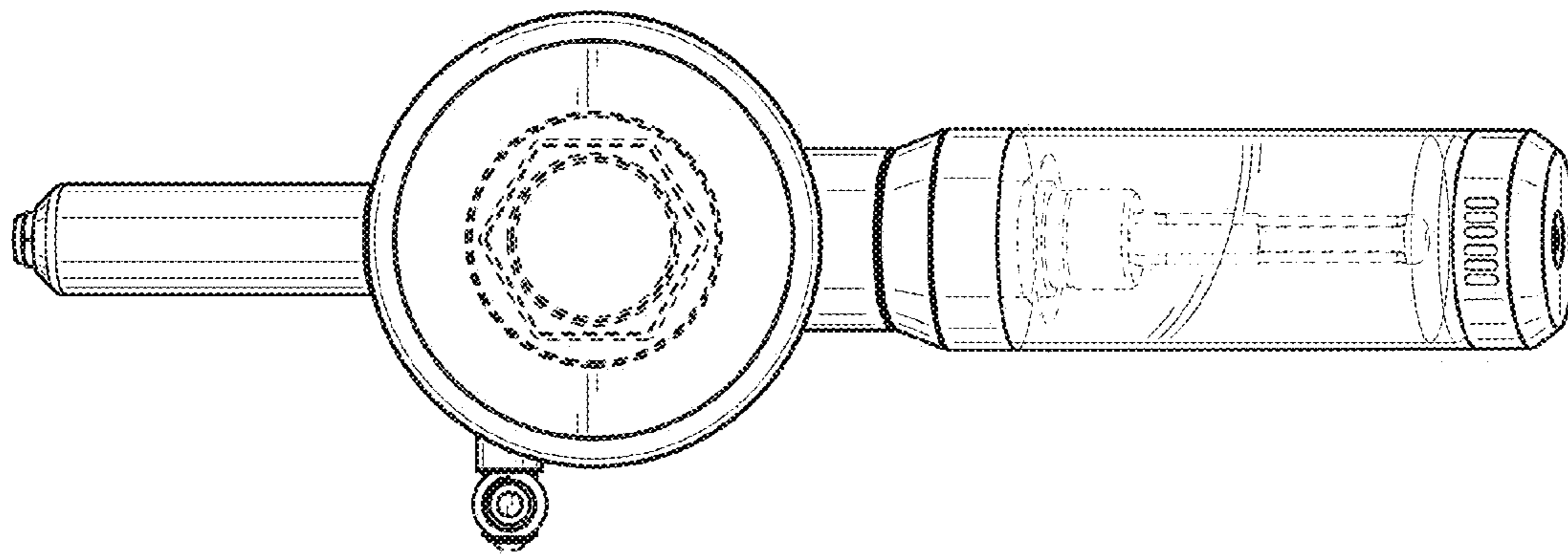


FIG. 7