



US00D752928S

(12) **United States Design Patent**  
**Lee et al.**

(10) **Patent No.:** **US D752,928 S**  
(45) **Date of Patent:** **\*\* Apr. 5, 2016**

- (54) **OVER ARM COLANDER**
- (71) Applicant: **Robinson Home Products Inc.**,  
Williamsville, NY (US)
- (72) Inventors: **Stuart Harvey Lee**, Forest Hills, NY  
(US); **Jochen Schaepers**, New York, NY  
(US); **Jenna Marie Edgemon**,  
Brooklyn, NY (US)
- (73) Assignee: **Robinson Home Products Inc.**,  
Williamsville, NY (US)
- (\*\*) Term: **14 Years**
- (21) Appl. No.: **29/513,005**
- (22) Filed: **Dec. 24, 2014**
- (51) **LOC (10) Cl.** ..... **07-04**
- (52) **U.S. Cl.**  
USPC ..... **D7/667**
- (58) **Field of Classification Search**  
USPC ..... D7/667, 668, 538-549, 586, 587  
CPC ..... A47J 19/00; A47J 43/24; A47J 43/22;  
A47J 47/20; A47J 47/18; A47G 19/02;  
A47G 19/12; A45F 3/20  
See application file for complete search history.

(56) **References Cited**

**U.S. PATENT DOCUMENTS**

- D259,535 S \* 6/1981 Daenen ..... D7/667
- D346,725 S \* 5/1994 Kolada ..... D7/667
- D361,477 S \* 8/1995 Licari ..... D7/667

- 5,505,850 A \* 4/1996 Licari ..... A47J 47/20  
210/464
- 6,783,674 B2 \* 8/2004 Iannizzotto ..... B01D 29/035  
210/238
- D503,313 S \* 3/2005 Shamoan ..... D7/667
- D514,764 S \* 2/2006 Kumagai ..... D32/55
- D665,234 S \* 8/2012 Bagley ..... D7/667
- D691,426 S \* 10/2013 Brown ..... D7/667
- 2012/0285879 A1 \* 11/2012 Housley ..... A47J 43/24  
210/249

\* cited by examiner

*Primary Examiner* — Terry Wallace

(74) *Attorney, Agent, or Firm* — Florek & Endres PLLC

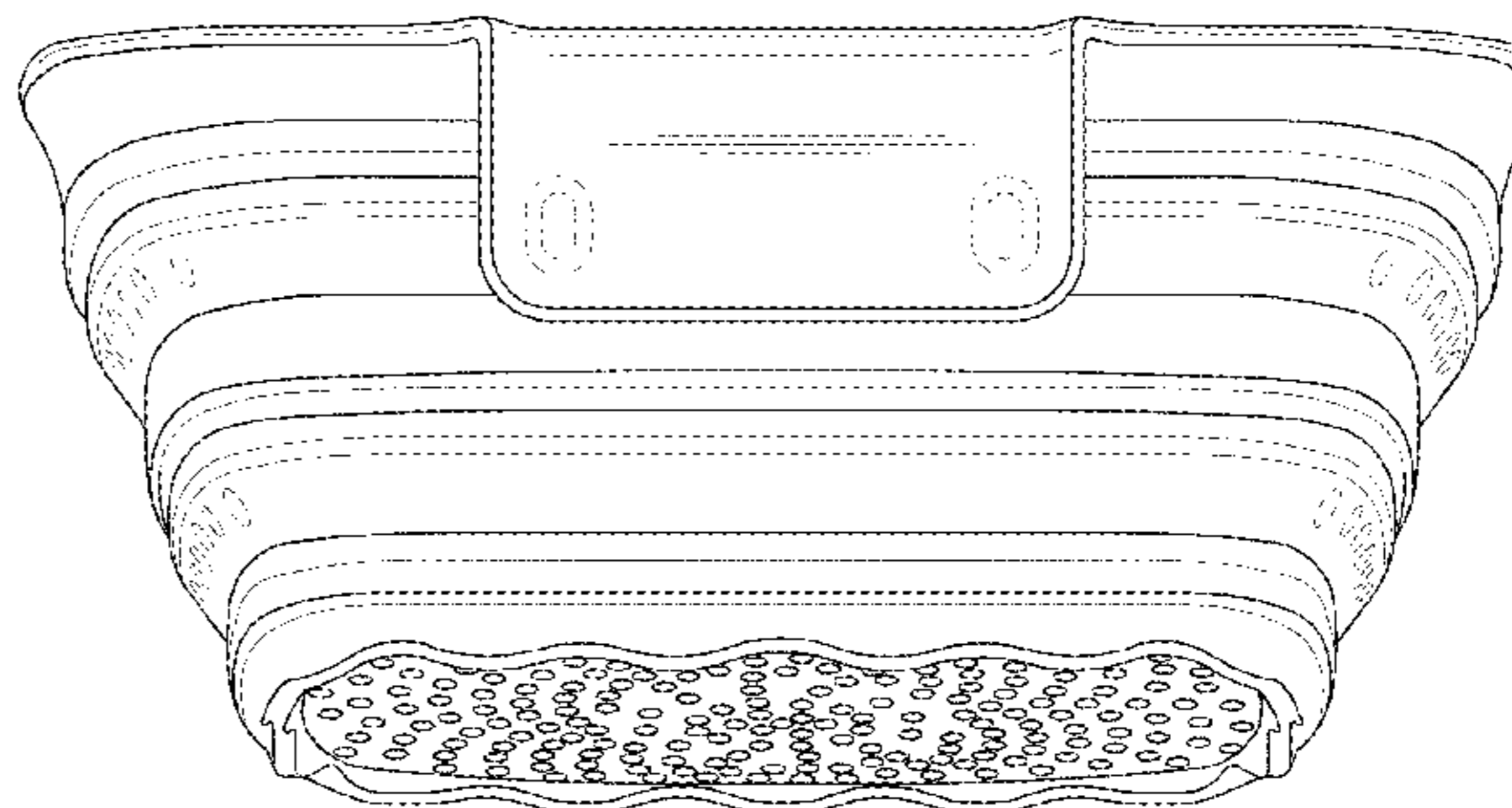
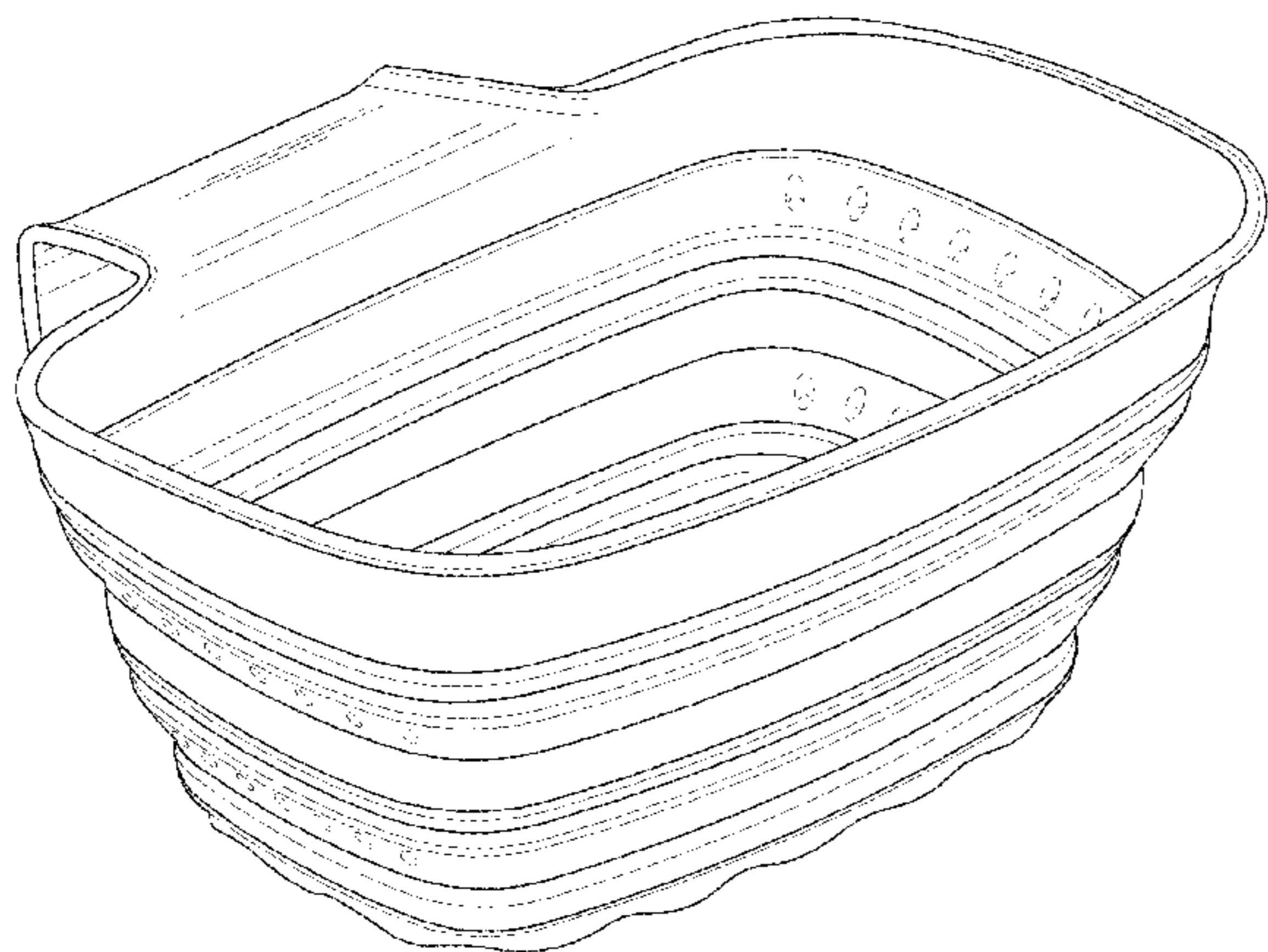
(57) **CLAIM**

The ornamental design for an over arm colander, as shown and described.

**DESCRIPTION**

FIG. 1 is a perspective view of the over arm colander of the present invention in its open configuration.  
 FIG. 2 is a left side elevation of the over arm colander of FIG. 1.  
 FIG. 3 is a right side elevation of the over arm colander of FIG. 1.  
 FIG. 4 is a front elevation of the over arm colander of FIG. 1.  
 FIG. 5 is a rear elevation of the over arm colander of FIG. 1.  
 FIG. 6 is a top plan view of the over arm colander of FIG. 1; and,  
 FIG. 7 is a bottom plan view of the over arm colander of FIG. 1.  
 The broken lines in the drawings represent unclaimed features.

**1 Claim, 7 Drawing Sheets**



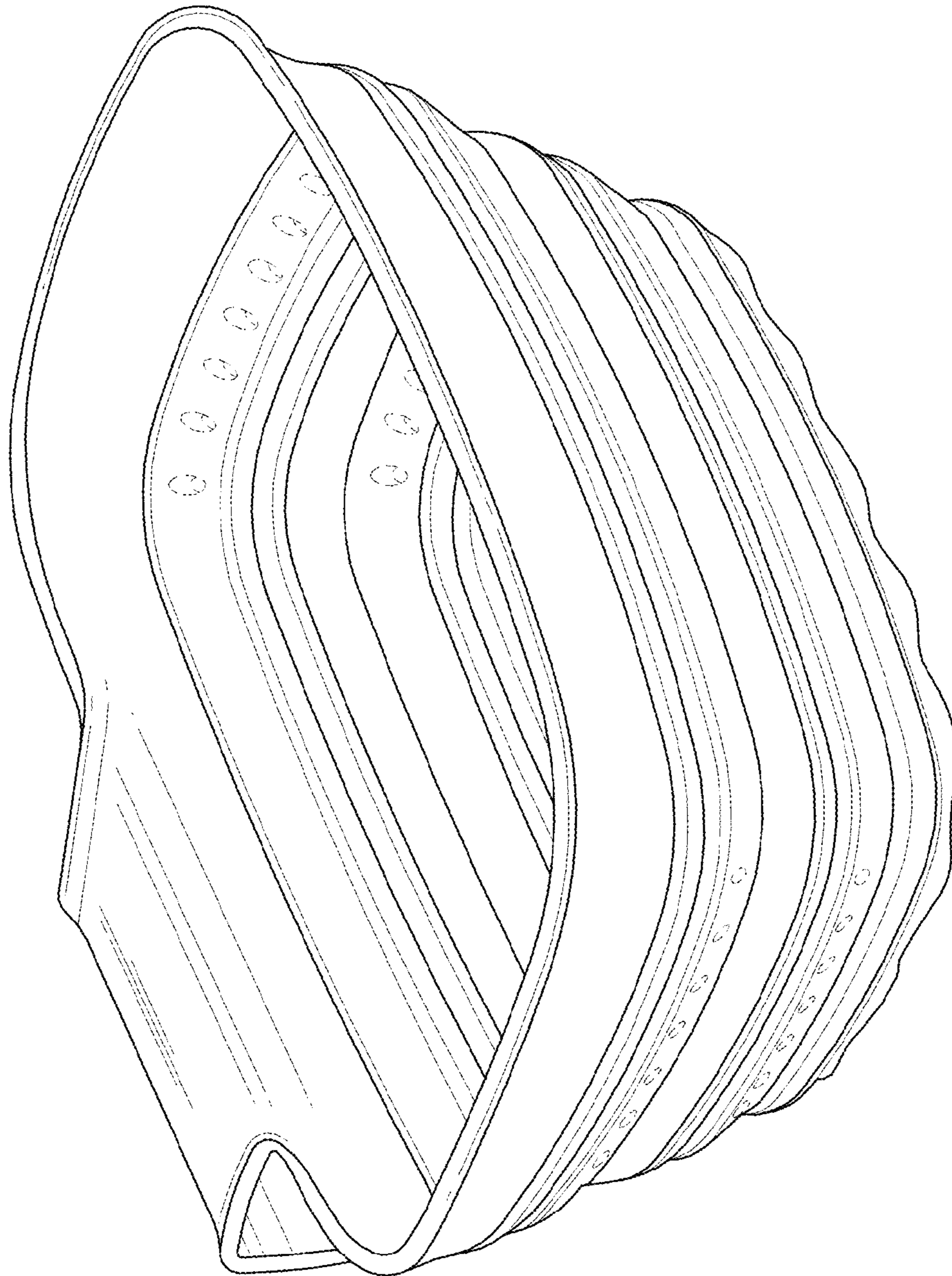


FIG. 1

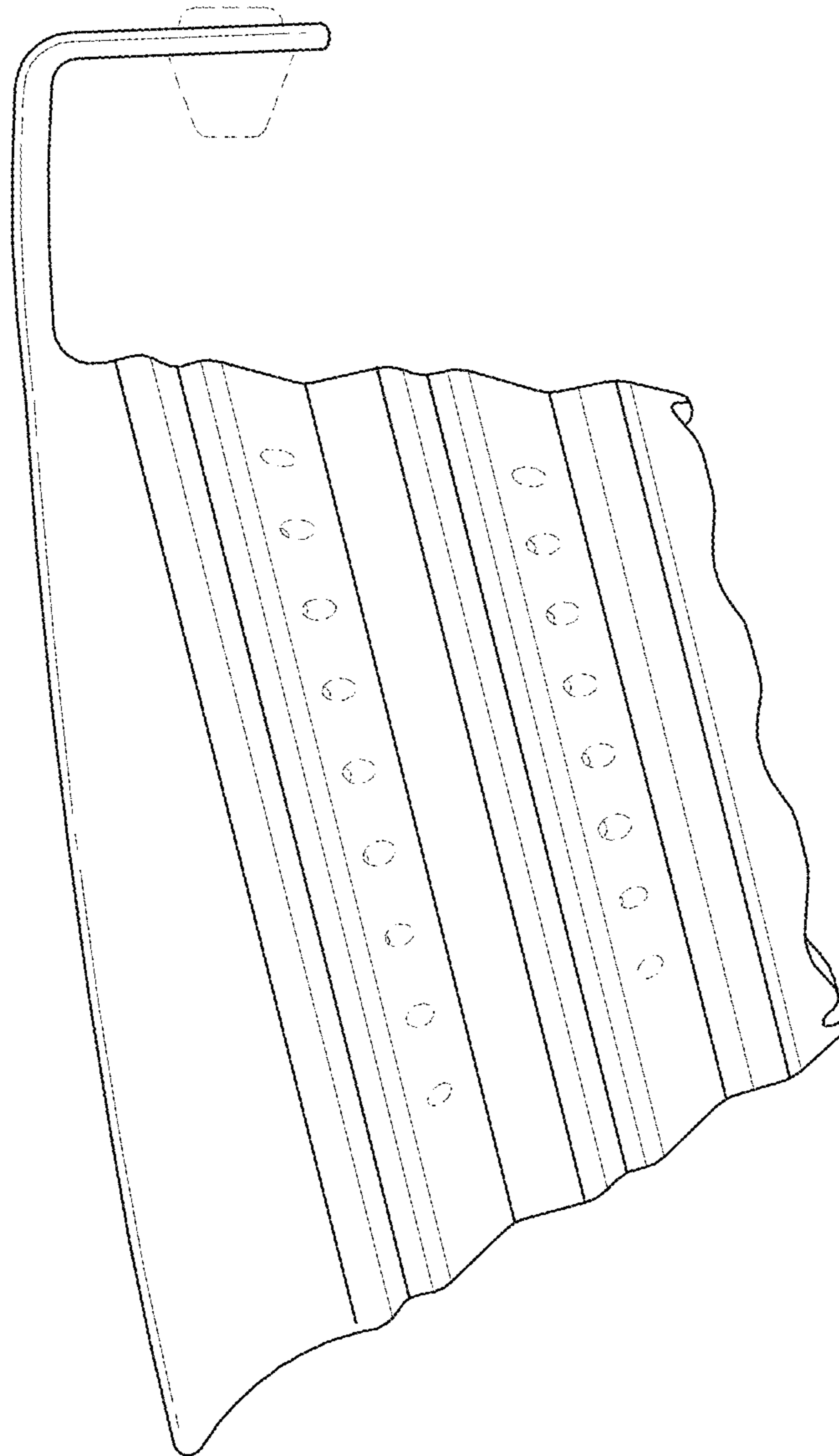


FIG. 2

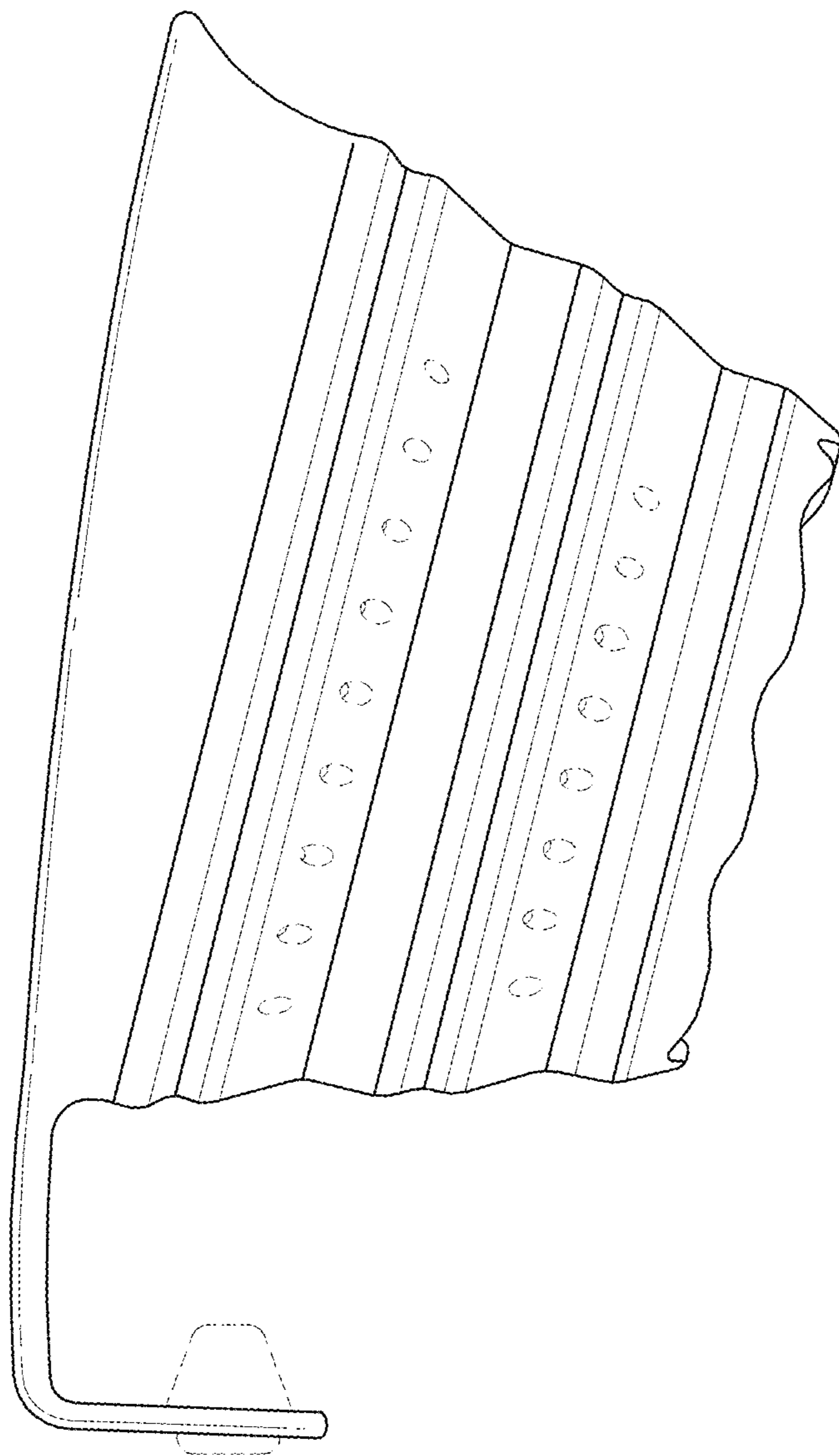


FIG. 3

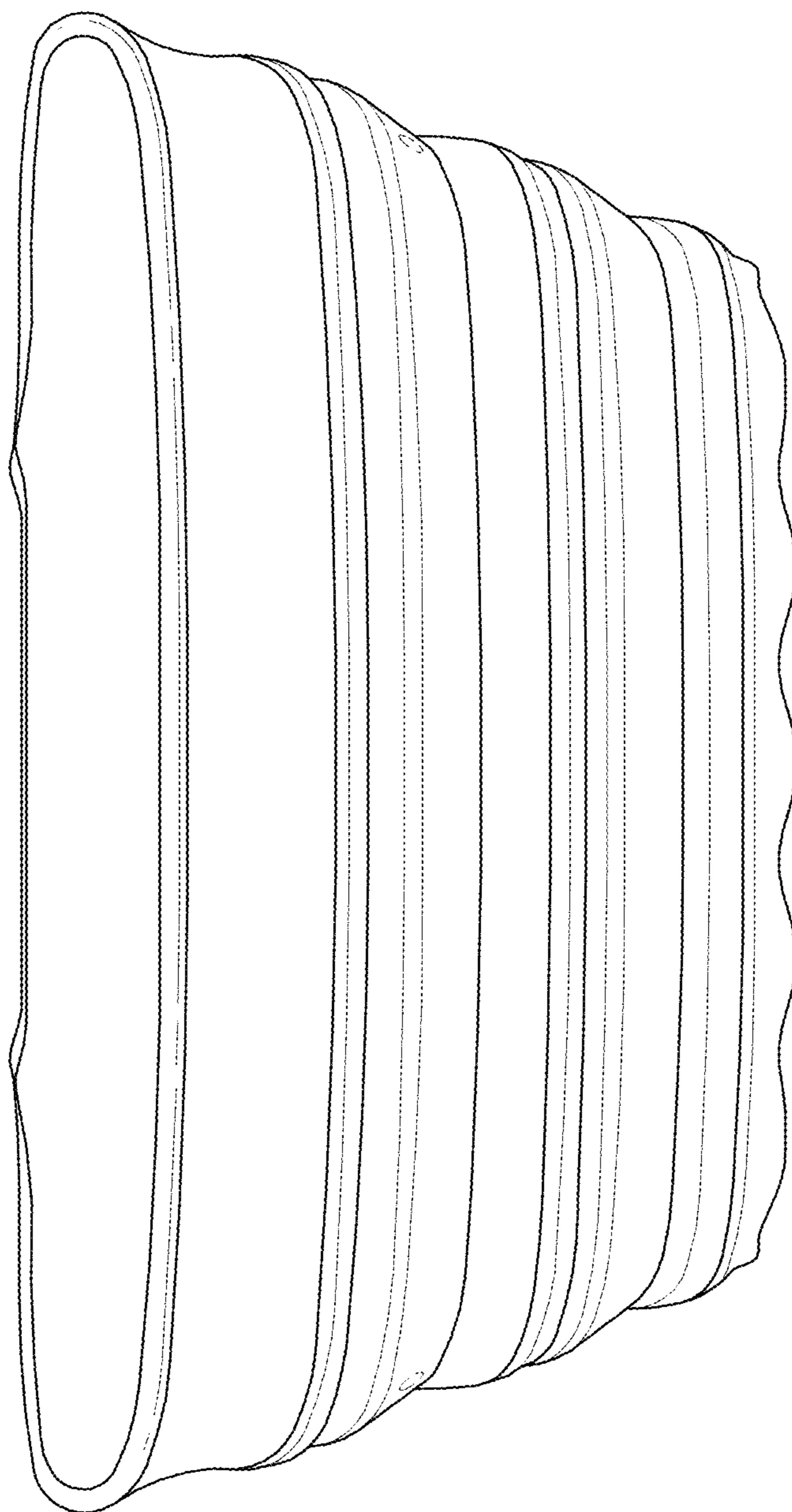


FIG. 4

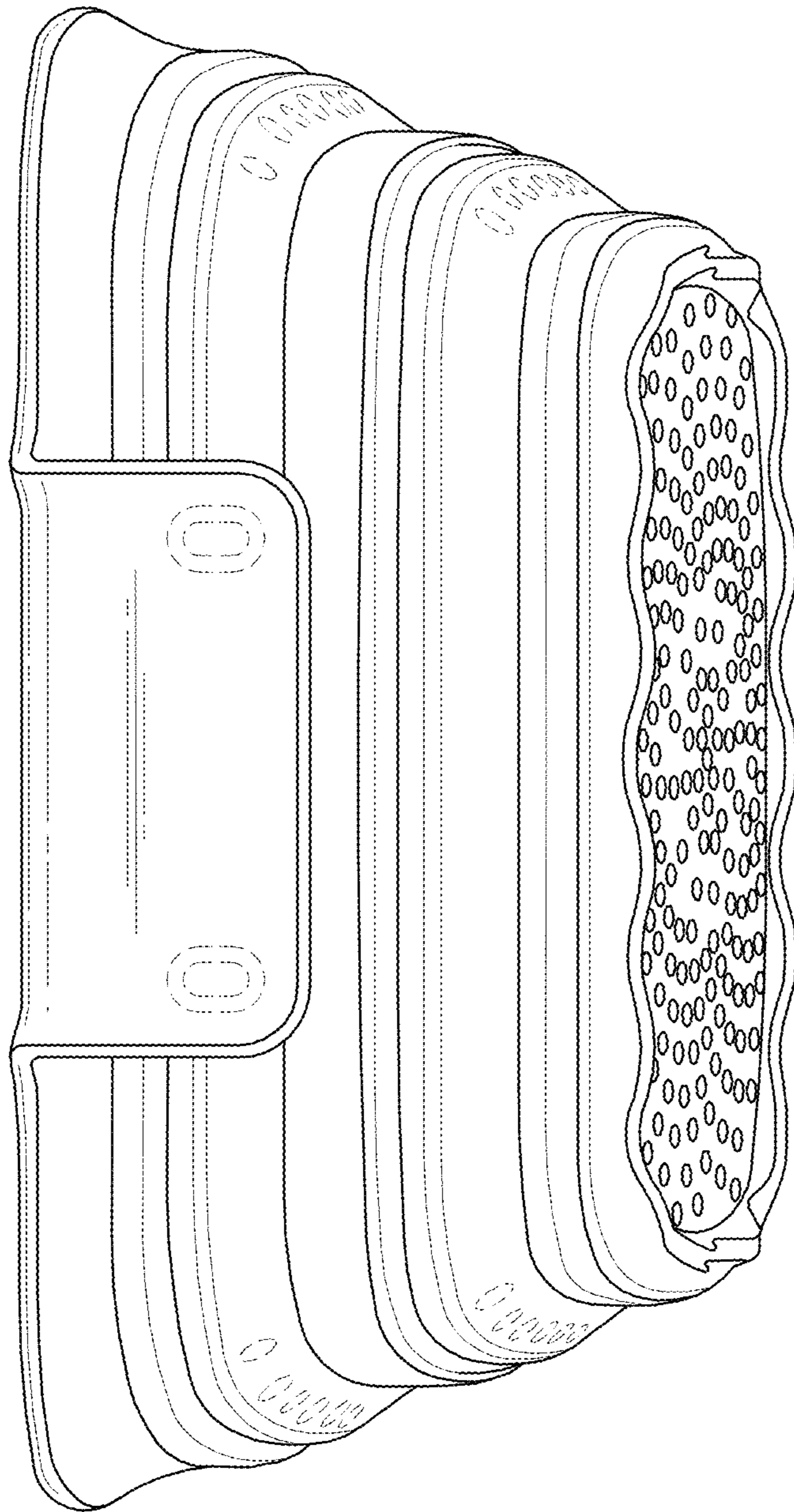


FIG. 5

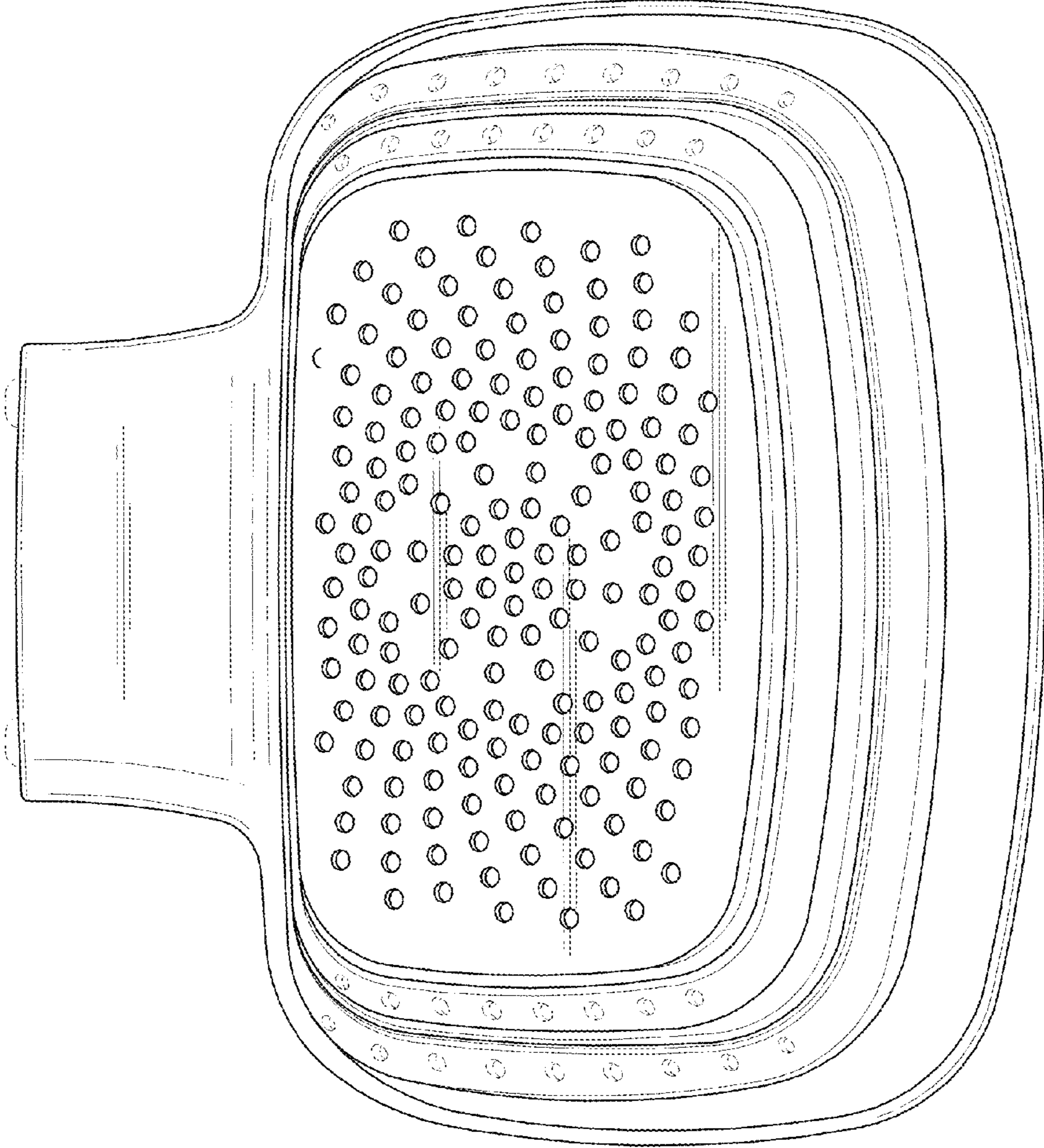


FIG. 6

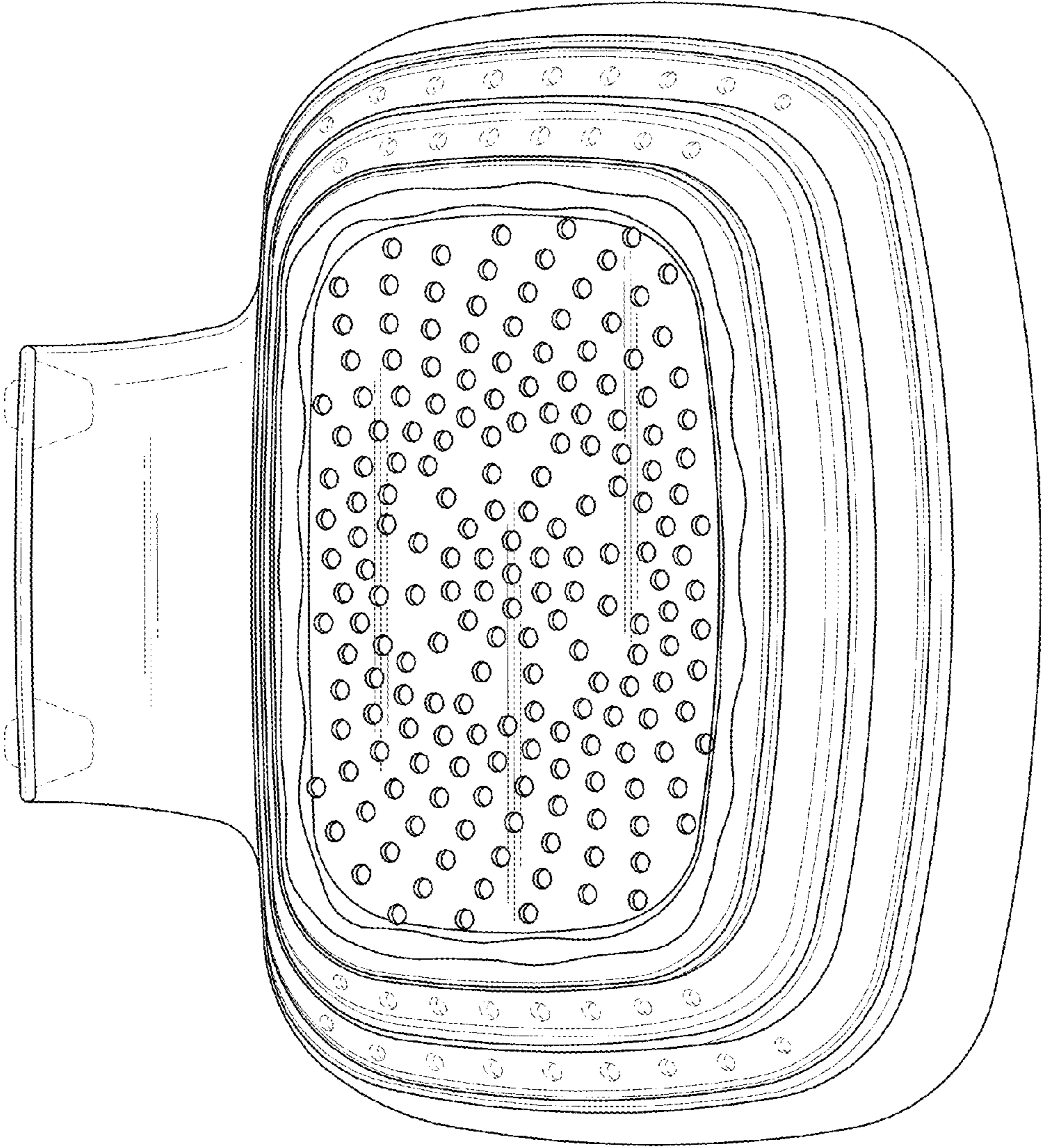


FIG. 7