



US00D752927S

(12) **United States Design Patent**  
**Katopis**

(10) **Patent No.:** **US D752,927 S**  
(45) **Date of Patent:** **\*\* Apr. 5, 2016**

- (54) **ADAPTABLE ASSISTANCE TOOL APPLIANCE**
- (71) Applicant: **Chris J. Katopis**, Washington, DC (US)
- (72) Inventor: **Chris J. Katopis**, Washington, DC (US)
- (\*\*) Term: **14 Years**
- (21) Appl. No.: **29/517,704**
- (22) Filed: **Feb. 16, 2015**
- (51) **LOC (10) Cl.** ..... **07-03**
- (52) **U.S. Cl.**  
USPC ..... **D7/642; D7/653**
- (58) **Field of Classification Search**  
USPC ..... D2/612; D7/368, 401.2, 642-645, 648, D7/653-664, 669, 675-677, 683, 688-689, D7/691; D8/98, 107, 300-301; D11/99; D14/460; D22/117-118  
CPC ..... A01D 9/02; A01D 9/04; A01D 9/06; A45F 3/20; A47G 21/00; A47G 21/004; A47G 21/005; A47G 21/02; A47G 21/023; A47G 21/04; A47G 21/06; A47G 21/08; A47J 43/28; A47J 43/281; A47J 43/282; A61F 5/0118; A61F 13/10; A61J 7/0023; B25G 1/00; B25G 1/01; B25G 1/02; B25G 3/00; B65D 75/56; B65D 75/563; B65D 75/566; B67B 7/00; B67B 7/724; B67B 7/73  
See application file for complete search history.

- 5,193,771 A \* 3/1993 Hassel ..... A61F 5/0118  
248/118
- D335,023 S \* 4/1993 Hutcheson ..... D2/612
- D368,705 S \* 4/1996 deLeon ..... D14/460
- D413,531 S 9/1999 Philippe
- 6,173,866 B1 \* 1/2001 Taylor, Jr. .... A45F 3/20  
222/175
- D442,508 S 5/2001 Torres
- D481,287 S \* 10/2003 Crist ..... D8/98
- D507,203 S \* 7/2005 Claude ..... D11/99
- D528,263 S 9/2006 Van Trojen
- D567,143 S 4/2008 Nicol
- D590,214 S \* 4/2009 Cox ..... D7/643
- D606,315 S 12/2009 Mangano et al.
- D696,904 S \* 1/2014 Swierski ..... D7/401.2
- D718,171 S 11/2014 Fakesch

\* cited by examiner

*Primary Examiner* — Ricky Pham

(74) *Attorney, Agent, or Firm* — Chris J. Katopis

(57) **CLAIM**

The ornamental design for an adaptable assistance tool appliance, as shown and described.

**DESCRIPTION**

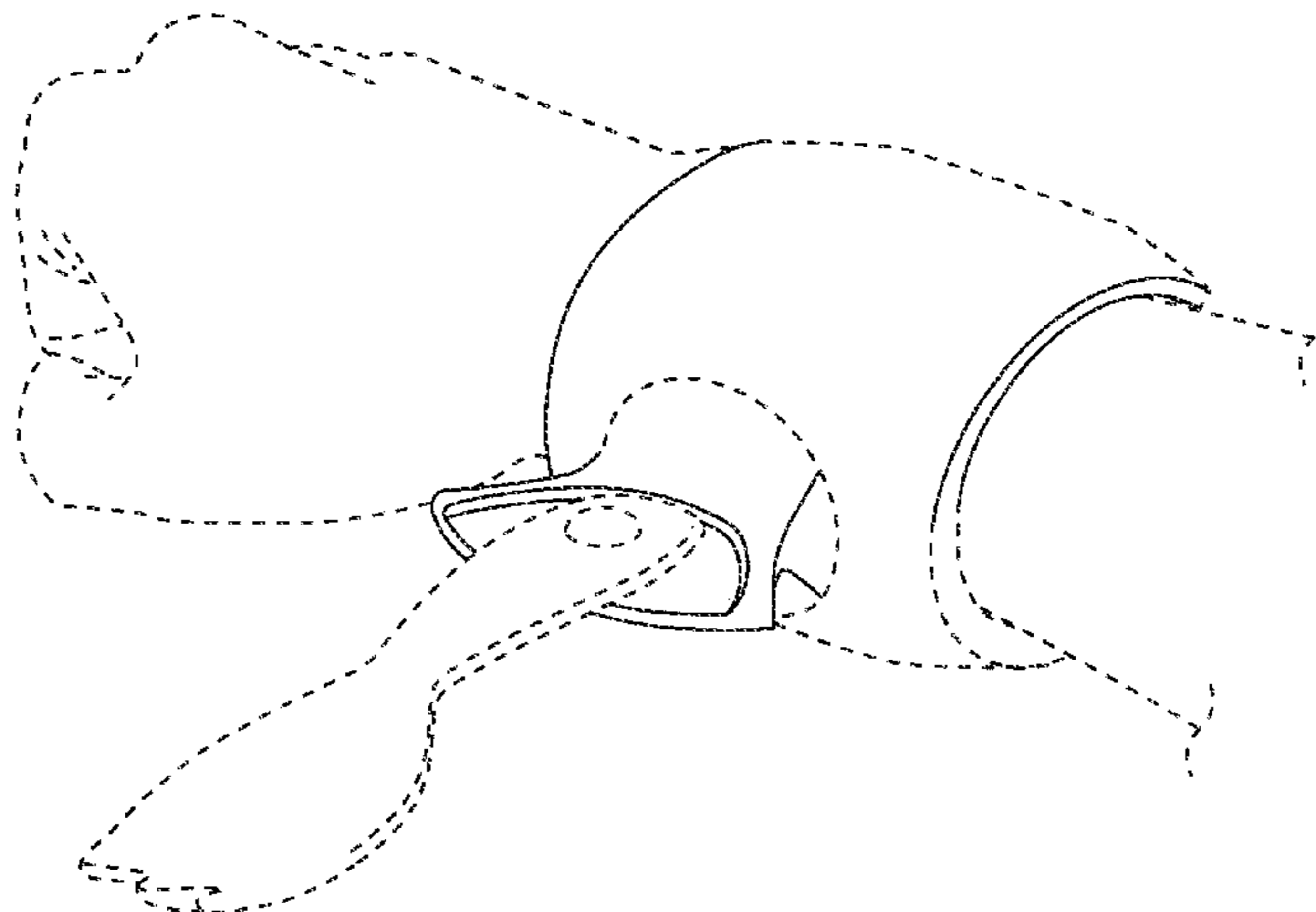
FIG. 1 is a front perspective view of an adaptable assistance tool appliance, showing the new design;  
 FIG. 2 is a front view thereof;  
 FIG. 3 is a back view thereof;  
 FIG. 4 is a side view thereof, the opposite side being a mirror image thereof;  
 FIG. 5 is a top view thereof;  
 FIG. 6 is a bottom view thereof;  
 FIG. 7 is an alternative embodiment thereof; and,  
 FIG. 8 is an exemplary diagram of the use of the an adaptable assistance tool appliance in an environment thereof the broken lines being shown for illustrative purposes only and form no part of the claimed design.  
 Any showing of the environment and/or drawing disclosure and/or tool by broken lines is for illustrative purposes only and forms no part of the claimed design.

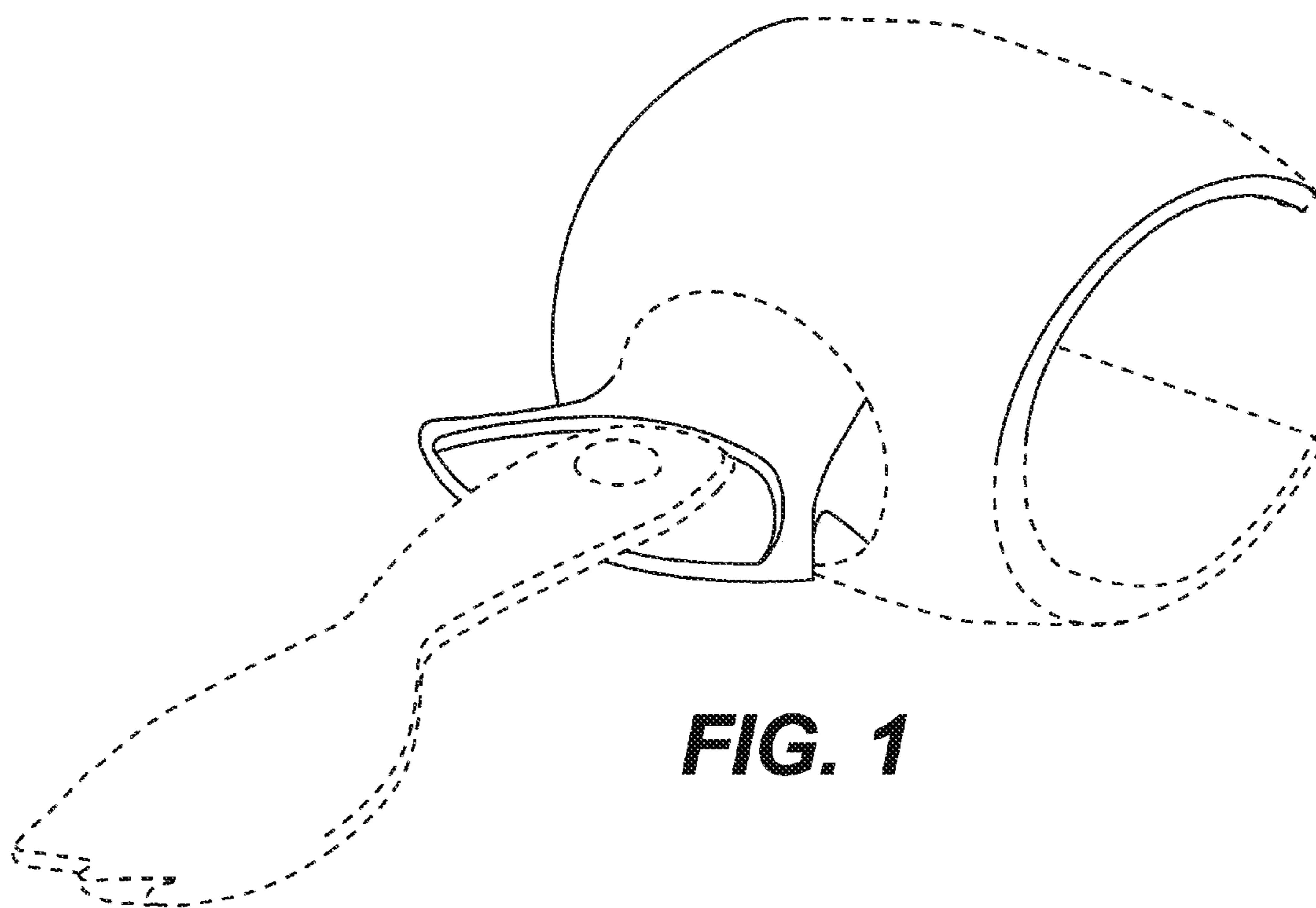
**1 Claim, 6 Drawing Sheets**

(56) **References Cited**

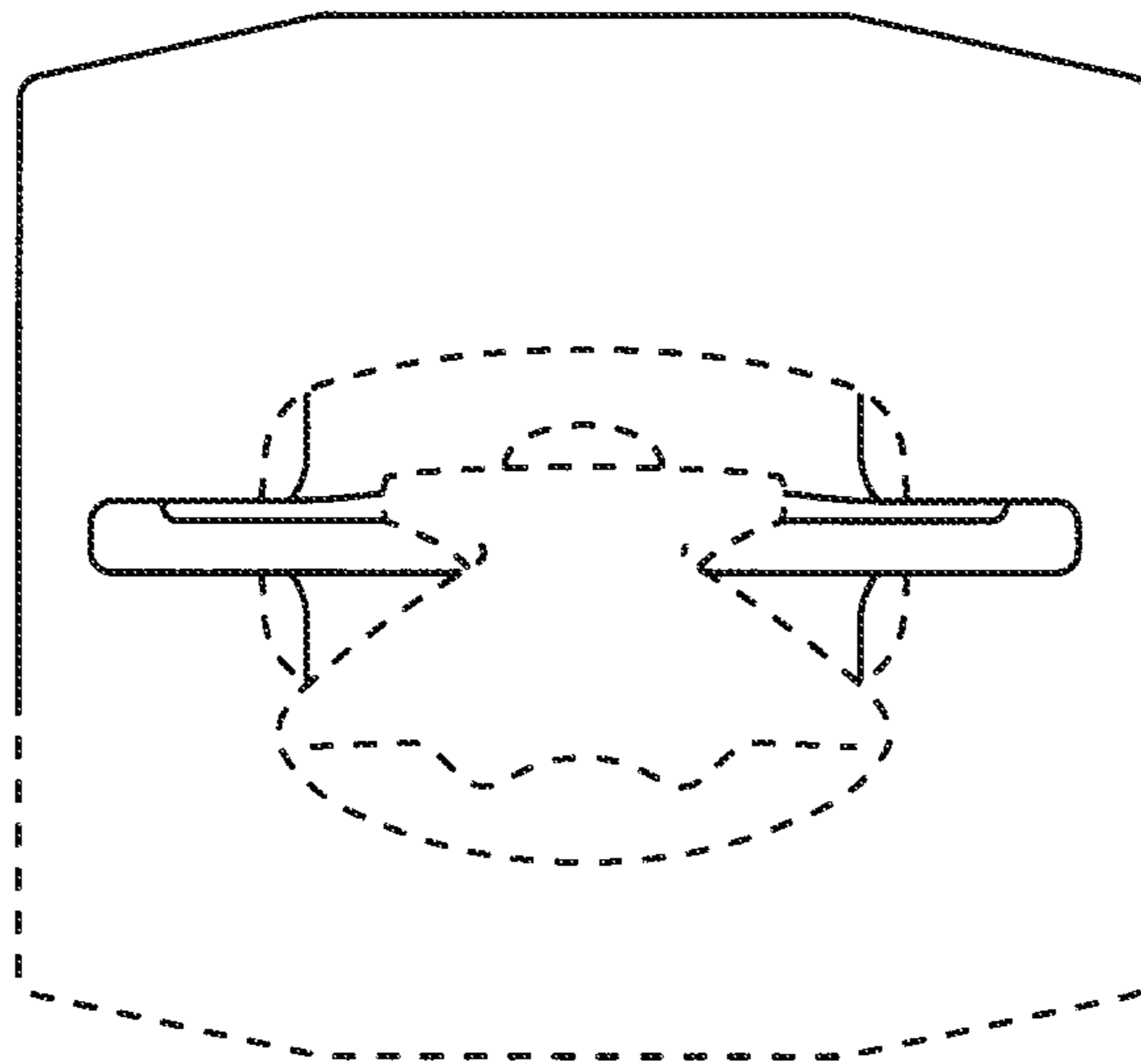
**U.S. PATENT DOCUMENTS**

- D161,359 S \* 12/1950 Milne ..... 30/324
- D191,406 S \* 9/1961 Newmark ..... D24/195
- 5,058,279 A \* 10/1991 Mars ..... A47G 1/08  
30/323
- 5,060,386 A \* 10/1991 Mars ..... A47G 21/08  
30/150
- 5,131,151 A \* 7/1992 Agase ..... A47G 21/02  
224/220

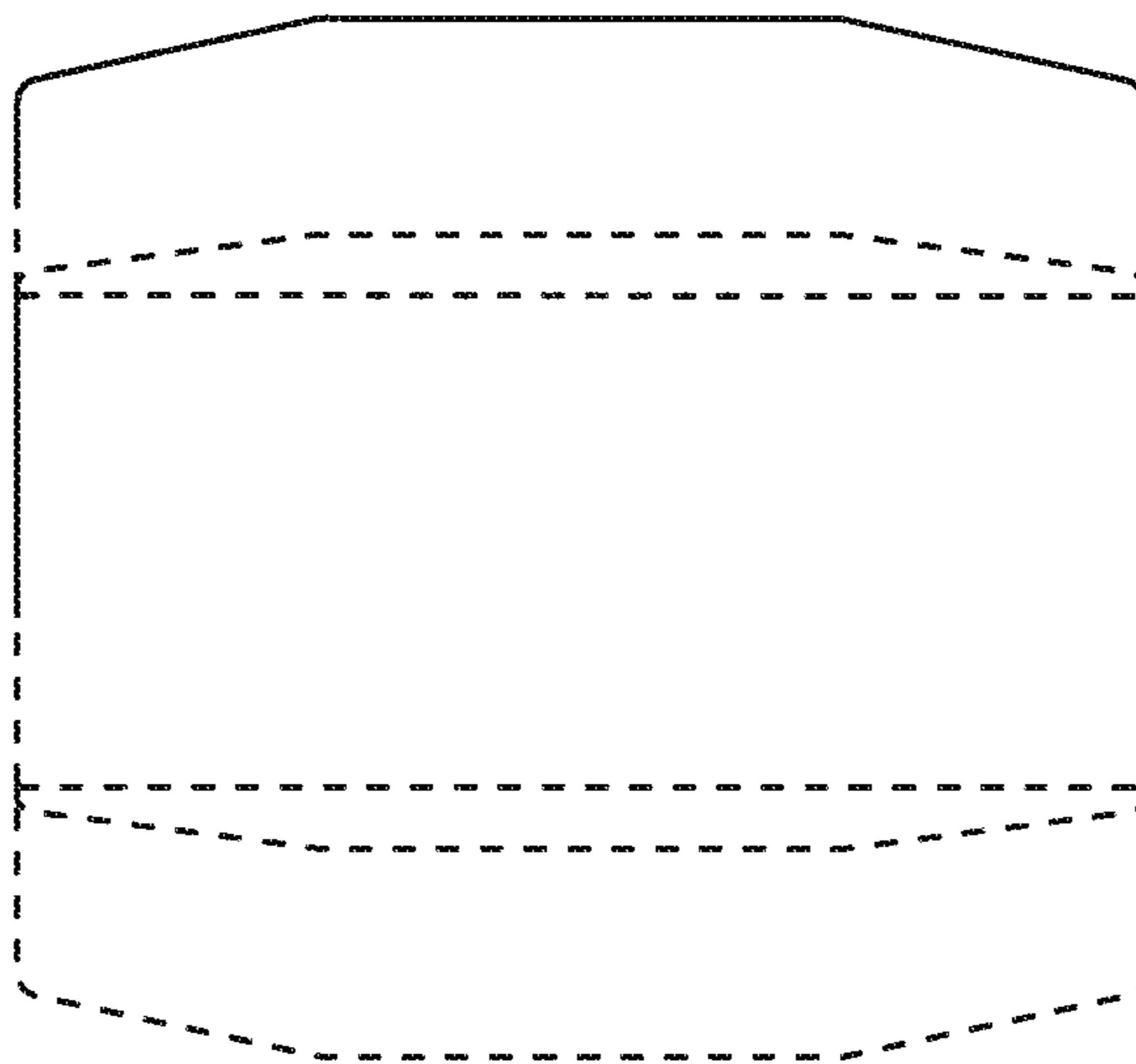




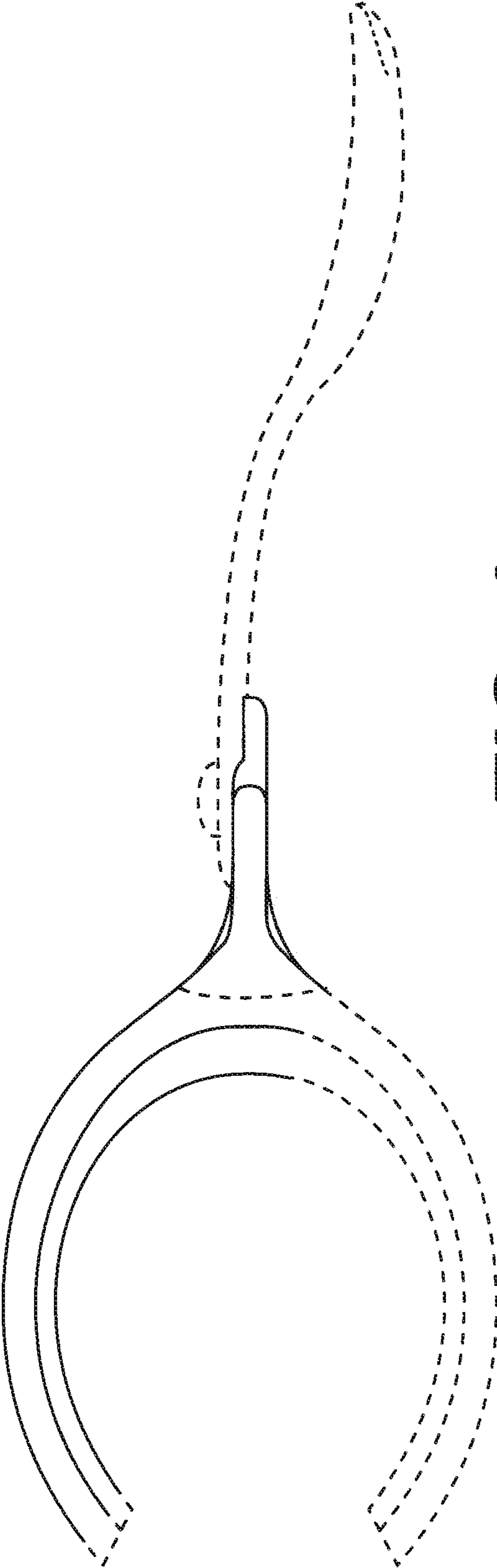
**FIG. 1**



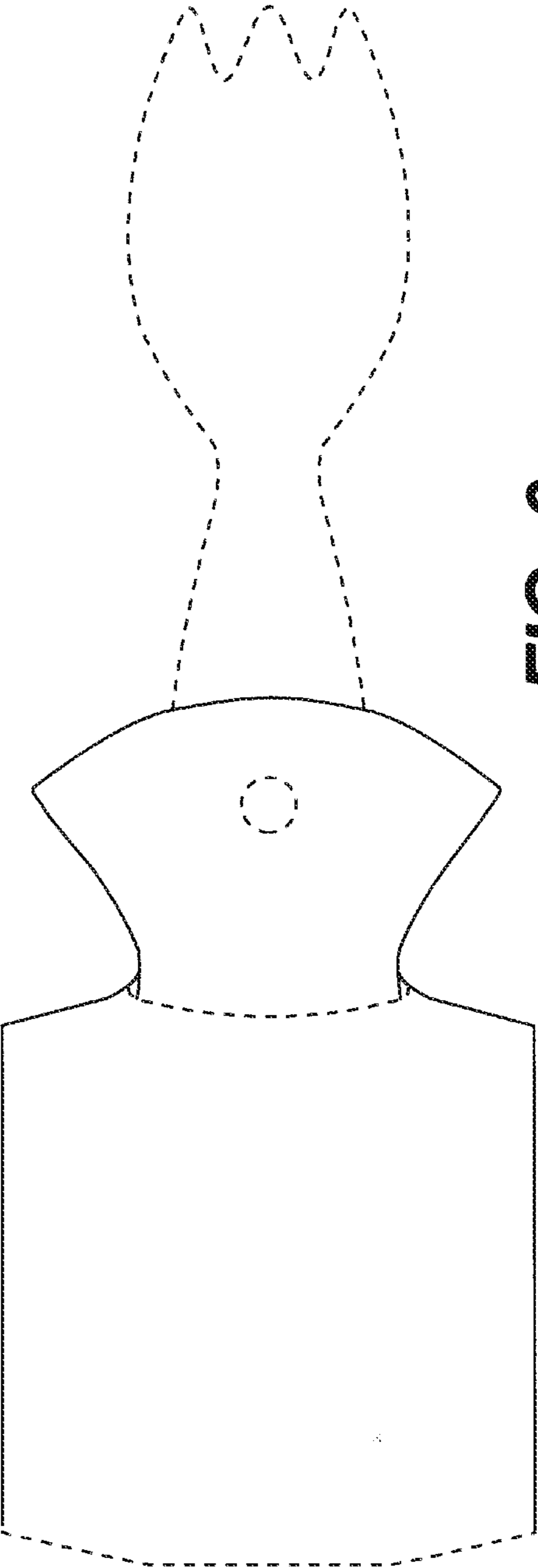
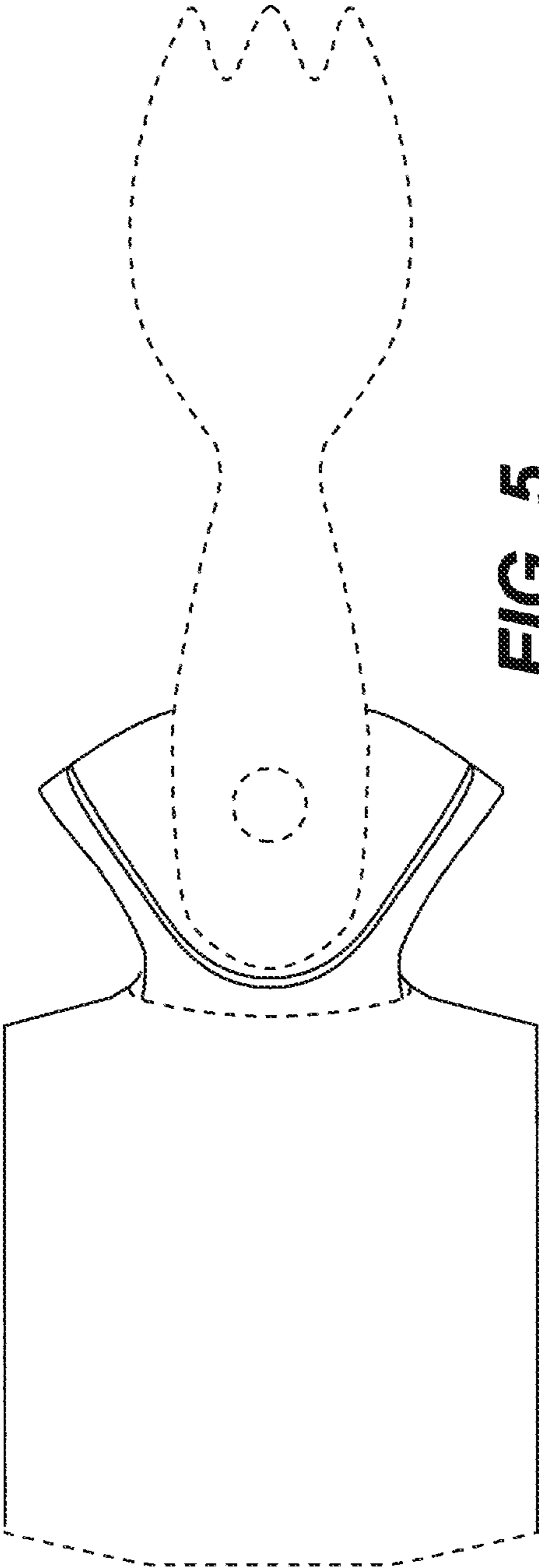
**FIG. 2**

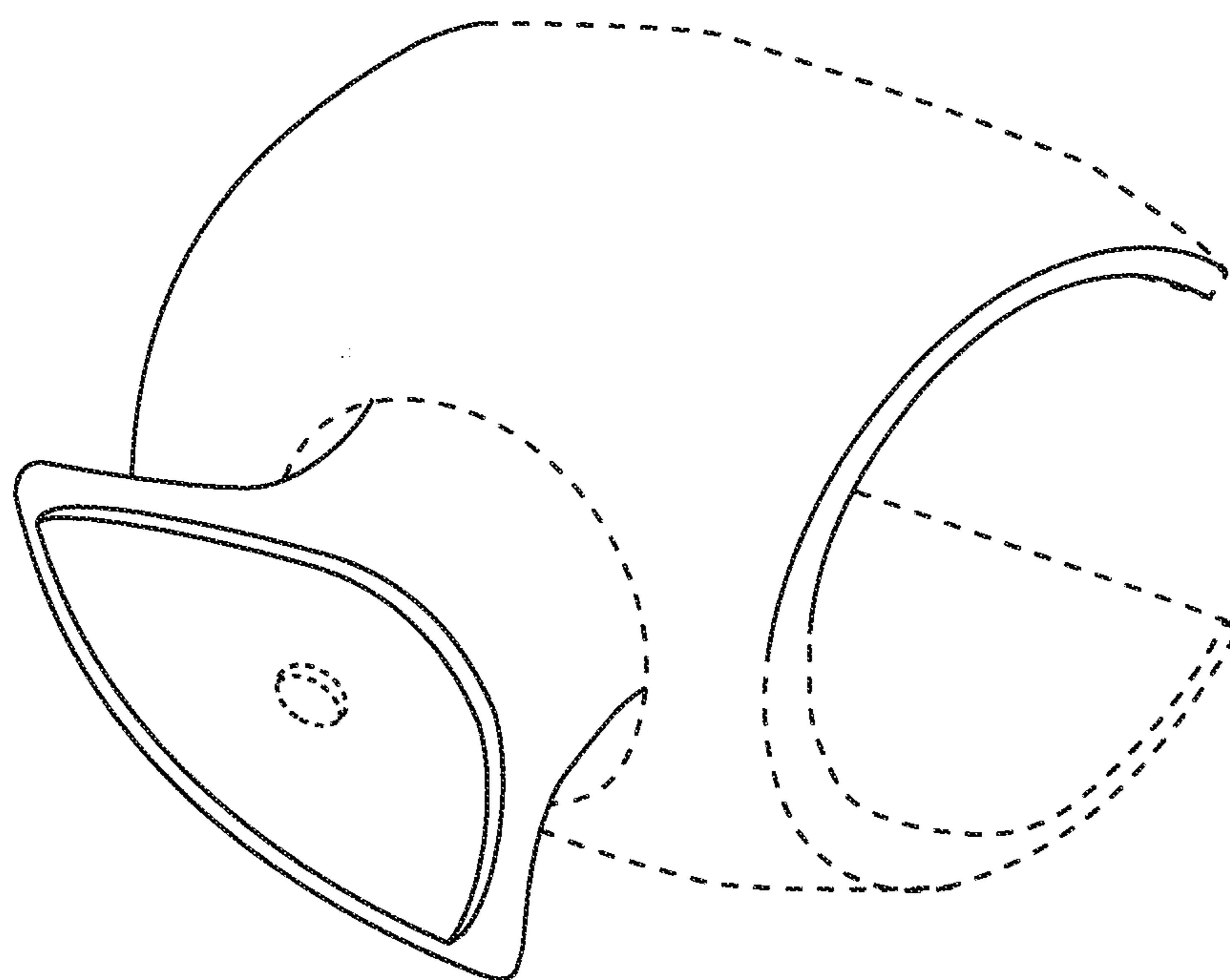


**FIG. 3**

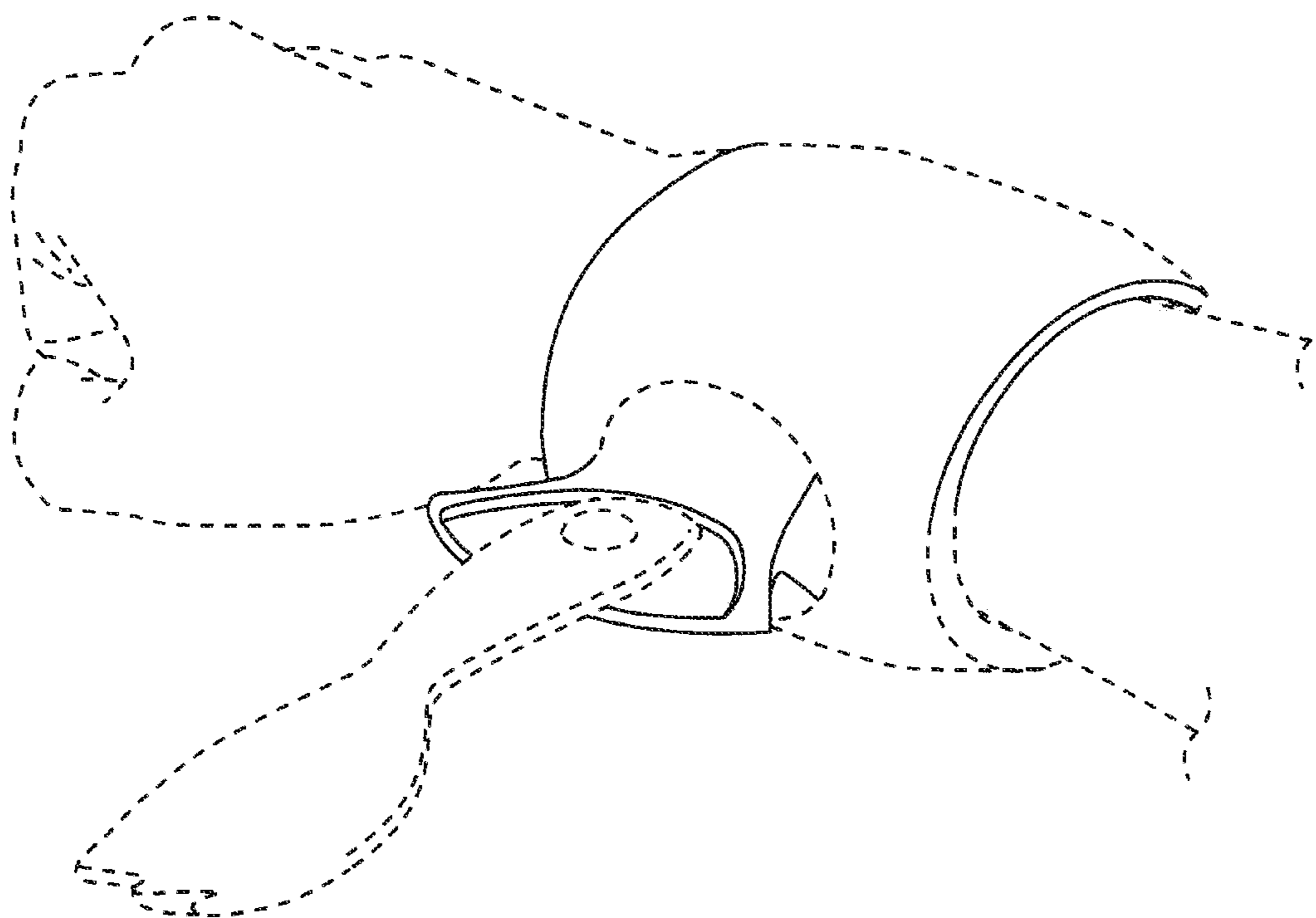


**FIG. 4**





**FIG. 7**



**FIG. 8**