



US00D752926S

(12) **United States Design Patent**
Toth, III et al.

(10) **Patent No.:** **US D752,926 S**
(45) **Date of Patent:** **** Apr. 5, 2016**

(54) **TASTING UTENSIL DEVICE**

(71) Applicant: **Toak Ecuador CÍA LTDA.**, Quito (EC)

(72) Inventors: **Gerald Francis Toth, III**, Winnetka, IL (US); **Carl Schweizer**, Quito (EC); **Paul Astudillo**, Quito (EC)

(73) Assignee: **Toak Ecuador CÍA LTDA.**, Quito (EC)

(**) Term: **14 Years**

(21) Appl. No.: **29/507,030**

(22) Filed: **Oct. 23, 2014**

(51) **LOC (10) Cl.** **07-03**

(52) **U.S. Cl.**
USPC **D7/642**

(58) **Field of Classification Search**

USPC D7/368, 401.2, 642–645, 653–664, 669, D7/675–677, 683, 686–689, 691; D8/107, D8/300–301; D22/117–118; D28/55
CPC A01D 9/02; A01D 9/04; A01D 9/06; A47G 21/00; A47G 21/004; A47G 21/005; A47G 21/02; A47G 21/023; A47G 21/04; A47G 21/06; A47G 21/08; A47G 21/10; A47G 21/103; A47J 43/28; A47J 43/281; A47J 43/282; A61B 17/30; A61F 13/10; A61J 7/0023; B25G 1/00; B25G 1/01; B25G 1/02; B25G 3/00; B43L 9/16; B65D 75/56; B65D 75/563; B65D 75/566; B67B 7/00; B67B 7/724; B67B 7/73; D06F 5/06

See application file for complete search history.

(56) **References Cited**

U.S. PATENT DOCUMENTS

809,244	A *	1/1906	Blomquist	D06F 5/06 294/8.5
1,734,958	A *	11/1929	Audrieth	B43L 9/16 33/27.02
1,829,271	A *	10/1931	Freye	A47G 21/10 294/99.2
3,640,561	A *	2/1972	Law	A47G 21/103 294/99.2
D246,280	S *	11/1977	Daenen	D24/143
D299,996	S *	2/1989	Tucker	D7/686
D311,851	S *	11/1990	Allardyce	D7/642
D366,729	S *	1/1996	Reil	D24/143
5,487,578	A *	1/1996	Williams	A61B 17/30 294/99.2
D435,201	S *	12/2000	Wang	D7/642
D473,111	S *	4/2003	Kortleven	D7/686
D545,150	S *	6/2007	Volpe	D7/686
D545,635	S *	7/2007	Dorfman	D7/642

* cited by examiner

Primary Examiner — Ricky Pham

(74) *Attorney, Agent, or Firm* — Lewis Rice LLC

(57) **CLAIM**

The ornamental design for a tasting utensil device, as shown and described.

DESCRIPTION

FIG. 1 provides a front-right perspective view of a tasting utensil device.

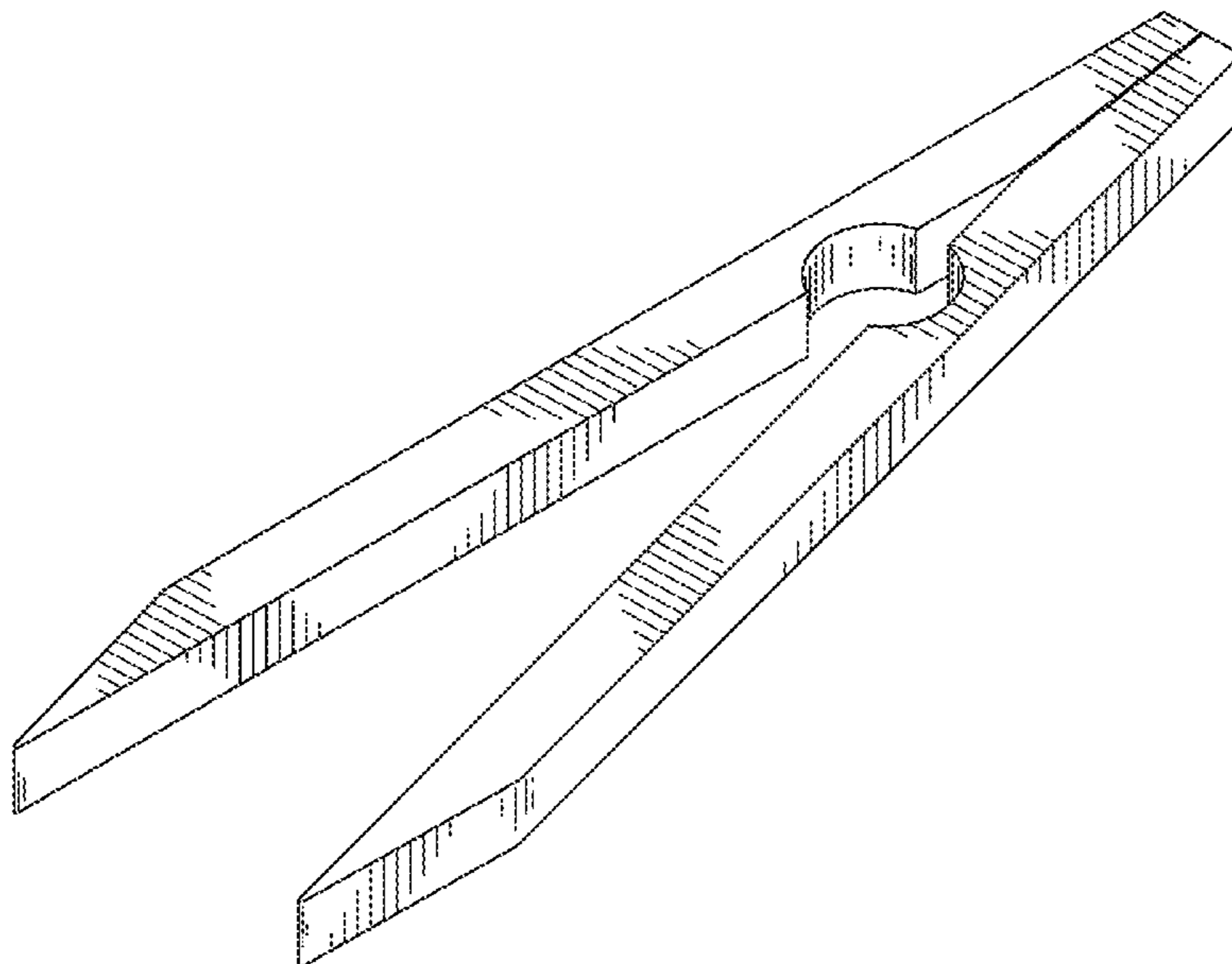
FIG. 2 provides a top view of a tasting utensil device, the bottom view being the same.

FIG. 3 provides a right side view of a tasting utensil device, the left side view being the same.

FIG. 4 provides a back side view of a tasting utensil device; and,

FIG. 5 provides a front side view of a tasting utensil device.

1 Claim, 4 Drawing Sheets



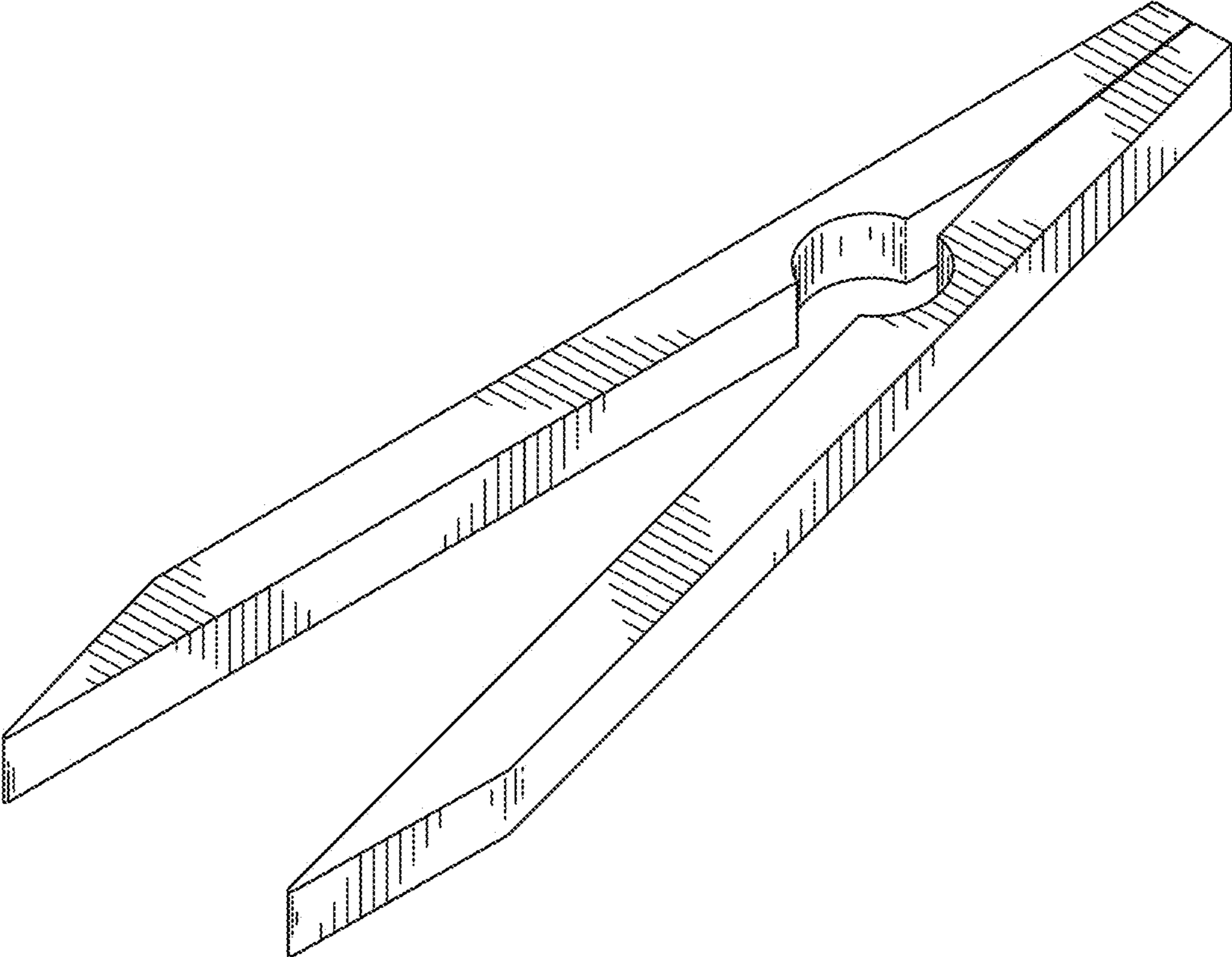


FIG. 1

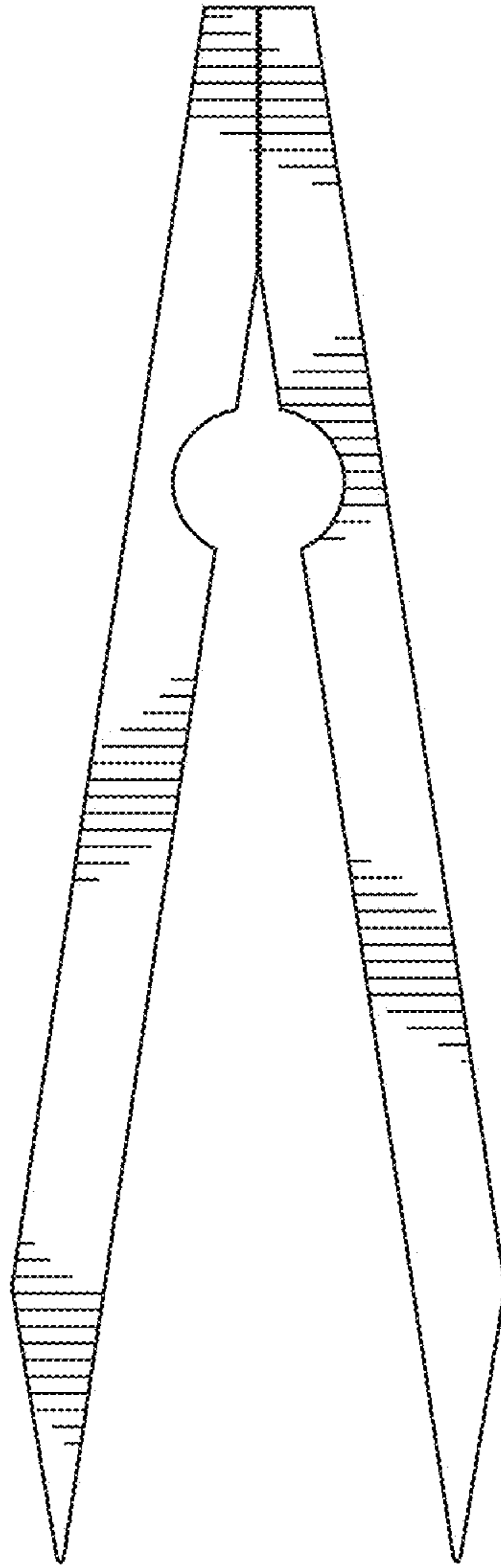


FIG. 2

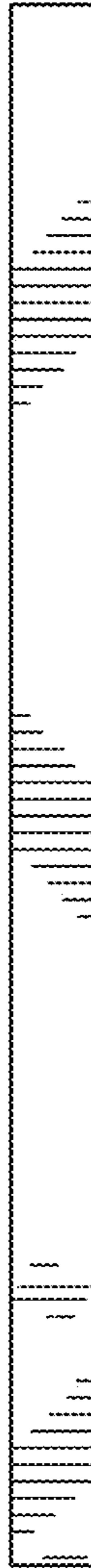


FIG. 3



FIG. 4



FIG. 5