



US00D752925S

(12) **United States Design Patent**
Lewis et al.

(10) **Patent No.:** **US D752,925 S**
(45) **Date of Patent:** **** Apr. 5, 2016**

(54) **MINIATURE AND REUSABLE SAUCE BOTTLE WITH KEYCHAIN**

(71) Applicant: **KyBod Group, LLC**, New York, NY (US)

(72) Inventors: **Kyle Stephen Lewis**, New York, NY (US); **Farbod Deylamian**, New York, NY (US)

(73) Assignee: **KYBOD GROUP, LLC**, New York, NY (US)

(**) Term: **14 Years**

(21) Appl. No.: **29/515,321**

(22) Filed: **Jan. 21, 2015**

(51) **LOC (10) Cl.** **07-06**

(52) **U.S. Cl.**
USPC **D7/590**

(58) **Field of Classification Search**
USPC D9/528, 715, 719, 730, 733, 738, D9/739-747, 751; D7/300, 305, 309, 310, D7/312, 317, 321, 322, 399-401, 509, 510, D7/511, 590, 608; D3/202, 215, 316; 206/38, 216, 217, 235, 497, 505, 507, 206/508, 770, 771, 823; 215/6, 10, 227, 215/228, 295, 296, 301, 316, 320; 222/175, 222/189.06, 189.11, 465.1, 544, 562, 571, 222/566, 572; 220/4.03, 283, 592.16, 220/592.17, 660, 661, 662, 675, 676
CPC B65D 2543/00296; B65D 2543/00537; B65D 2543/00092; B65D 2543/00685; B65D 2543/00796; B65D 2543/00555; B65D 1/0223; B65D 51/28; B65D 43/0212; B65D 21/0219; B65D 47/06; B65D 79/005; B65D 1/04; B65D 25/42; B65D 21/0231; B65D 47/40; B65D 41/26; B65D 81/3205; B65D 1/40; B65D 51/18; B65D 51/20; B65D 81/3216; B65D 2543/00805; B65D 25/04; B65D 2519/00034; B65D 2519/00069; B65D 23/00; B65D 2543/00416; B65D 21/0202; B65D 1/36; B65D 2543/00046; B65D

2543/00648; B65D 41/17; B65D 23/06; B65D 1/16; B65D 5/4204; B65D 85/72; B65D 2519/00174; B65D 1/20; B65D 41/0471; B65D 1/0246; B65D 51/2864; B65D 51/249; B65D 21/0237; B65D 41/02; B65D 2543/00759; B65D 77/06; B65D 2519/00273; B65D 2543/00231; B65D 51/32; B65D 47/32; B65D 2519/00711; B65D 25/02; B65D 1/0207; B65D 2519/00208; Y10S 383/906; Y10S 215/07; Y10S 220/903; Y10S 220/14; Y10S 220/913

See application file for complete search history.

(56) **References Cited**

U.S. PATENT DOCUMENTS

D378,733 S * 4/1997 Asaff D28/7
D409,920 S * 5/1999 Fenton D9/521

(Continued)

OTHER PUBLICATIONS

OraLabs, Hand Sanitizer Gel 2 oz with Carabiner, Apr. 25, 2010, online, <<http://www.oralabs.com/hand-sanitizer/hand-sanitizer-2-carabiner.php>>.*

Primary Examiner — Derrick Holland

Assistant Examiner — Lauren Calve

(74) *Attorney, Agent, or Firm* — Sawyer Law Group, P.C.

(57) **CLAIM**

The ornamental design for a miniature and reusable sauce bottle with keychain, as shown.

DESCRIPTION

FIG. 1 is a first perspective view of a miniature and reusable sauce bottle with keychain.

FIG. 2 is a second perspective view thereof.

FIG. 3 is a front view thereof.

FIG. 4 is a back view thereof.

FIG. 5 is a left side view thereof.

FIG. 6 is a right side view thereof.

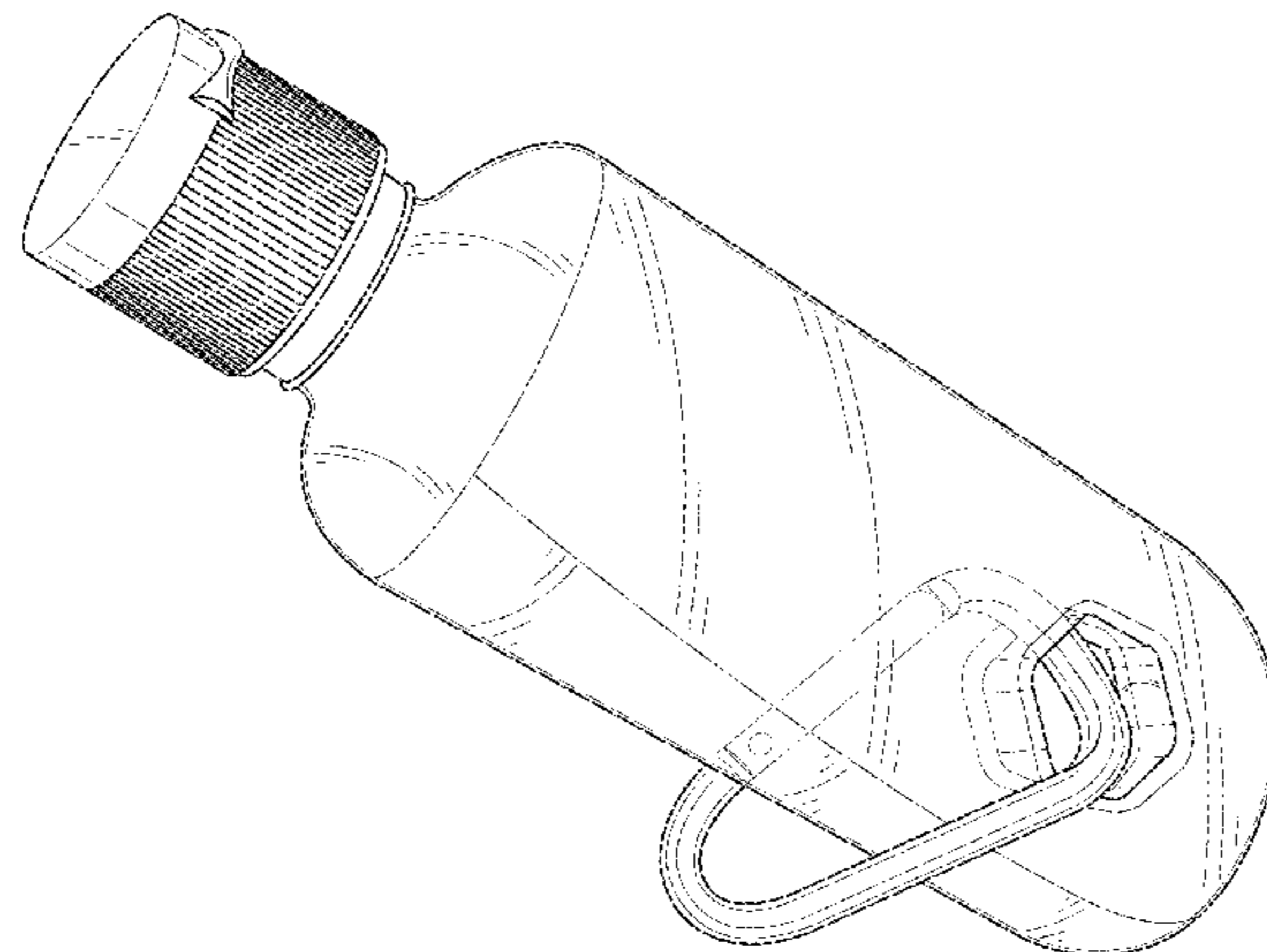
FIG. 7 is a top view thereof.

FIG. 8 is a bottom view thereof; and,

FIG. 9 is an exploded perspective view thereof.

The dot-dash broken lines used in the exploded view represent unclaimed subject matter and form no part of the claimed design.

1 Claim, 9 Drawing Sheets



(56)

References Cited

U.S. PATENT DOCUMENTS

D411,454 S * 6/1999 Fenton D9/521
D411,456 S * 6/1999 Mast D9/521
D457,436 S * 5/2002 Weber D9/521
D481,937 S * 11/2003 McRae D9/443

D507,747 S * 7/2005 Kerr D9/521
D654,739 S * 2/2012 Chin D3/215
D694,587 S * 12/2013 Slocumb D7/590
2013/0334254 A1* 12/2013 Rose B67D 3/0061
222/175

* cited by examiner

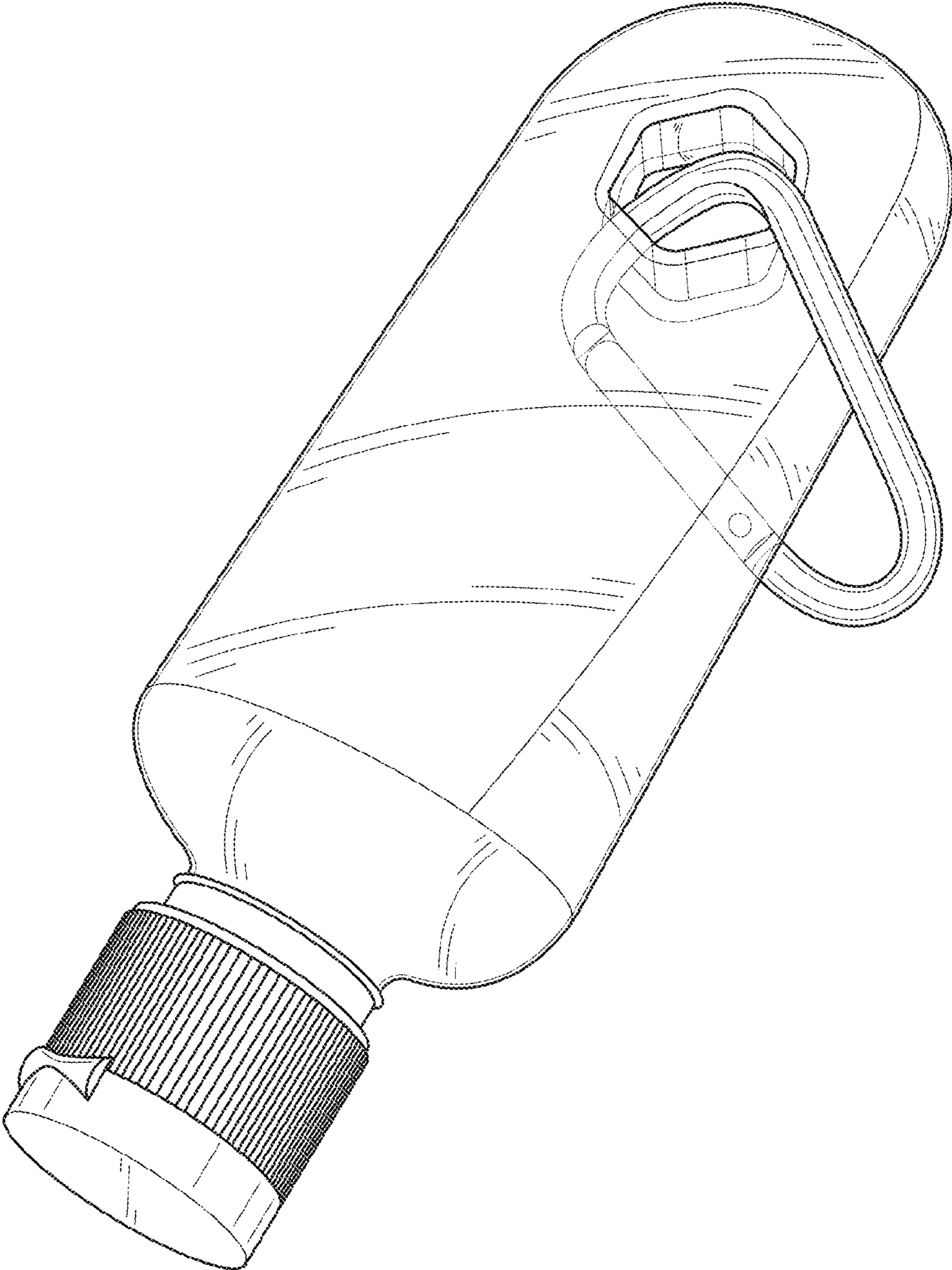


FIG. 1

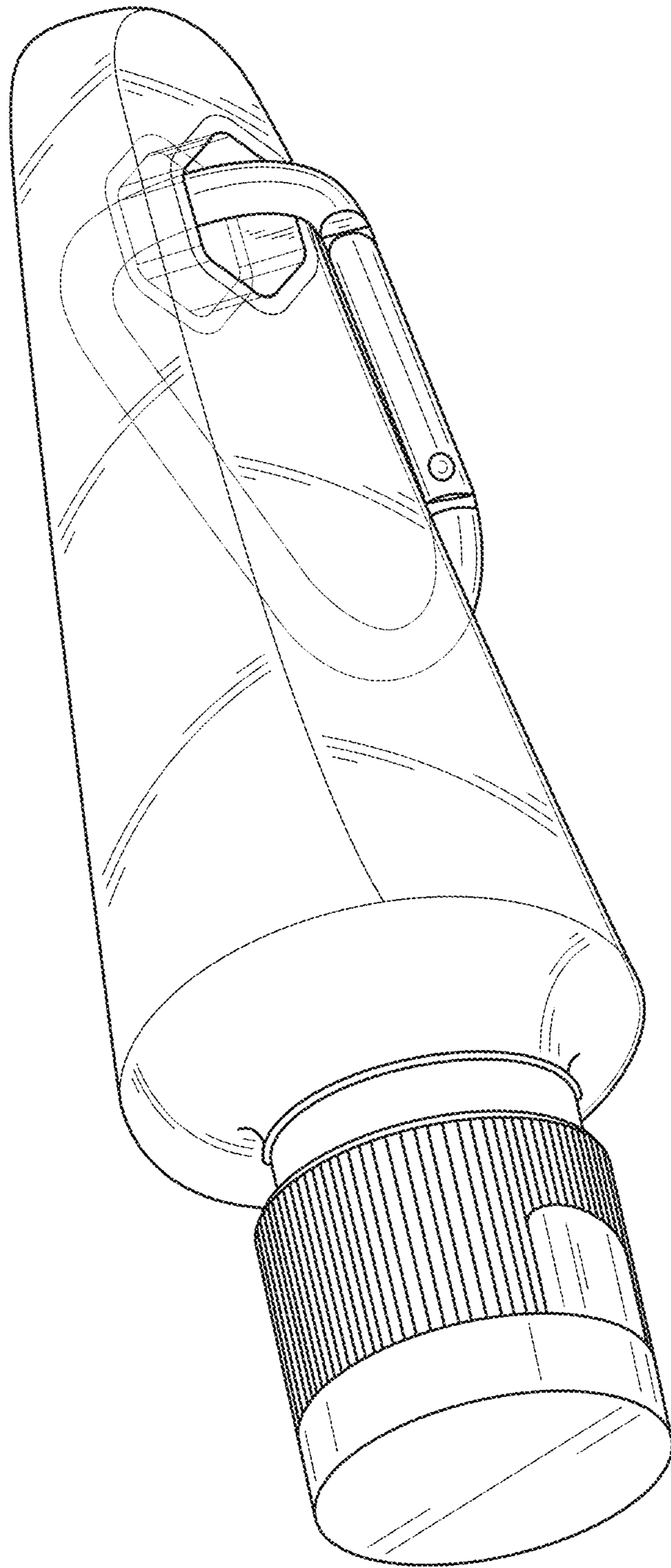


FIG. 2

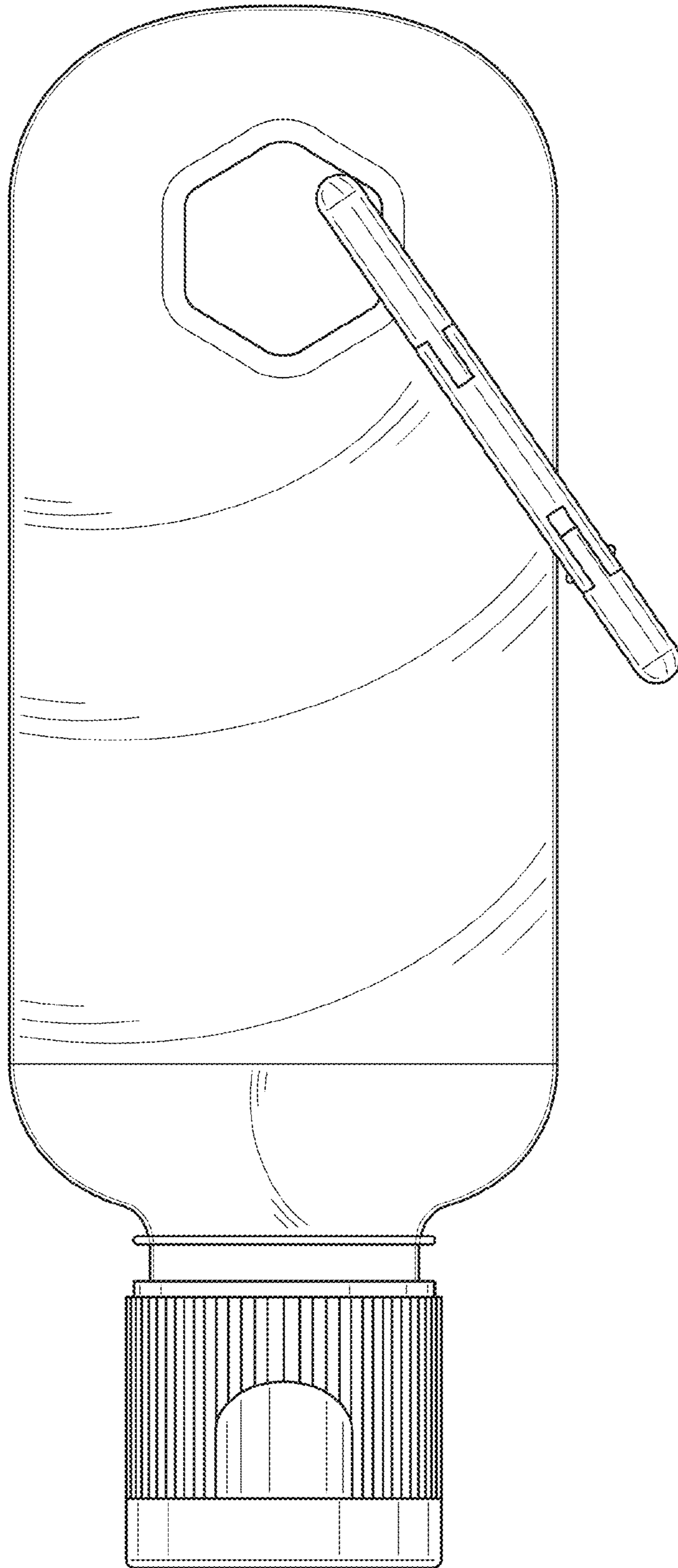


FIG. 3

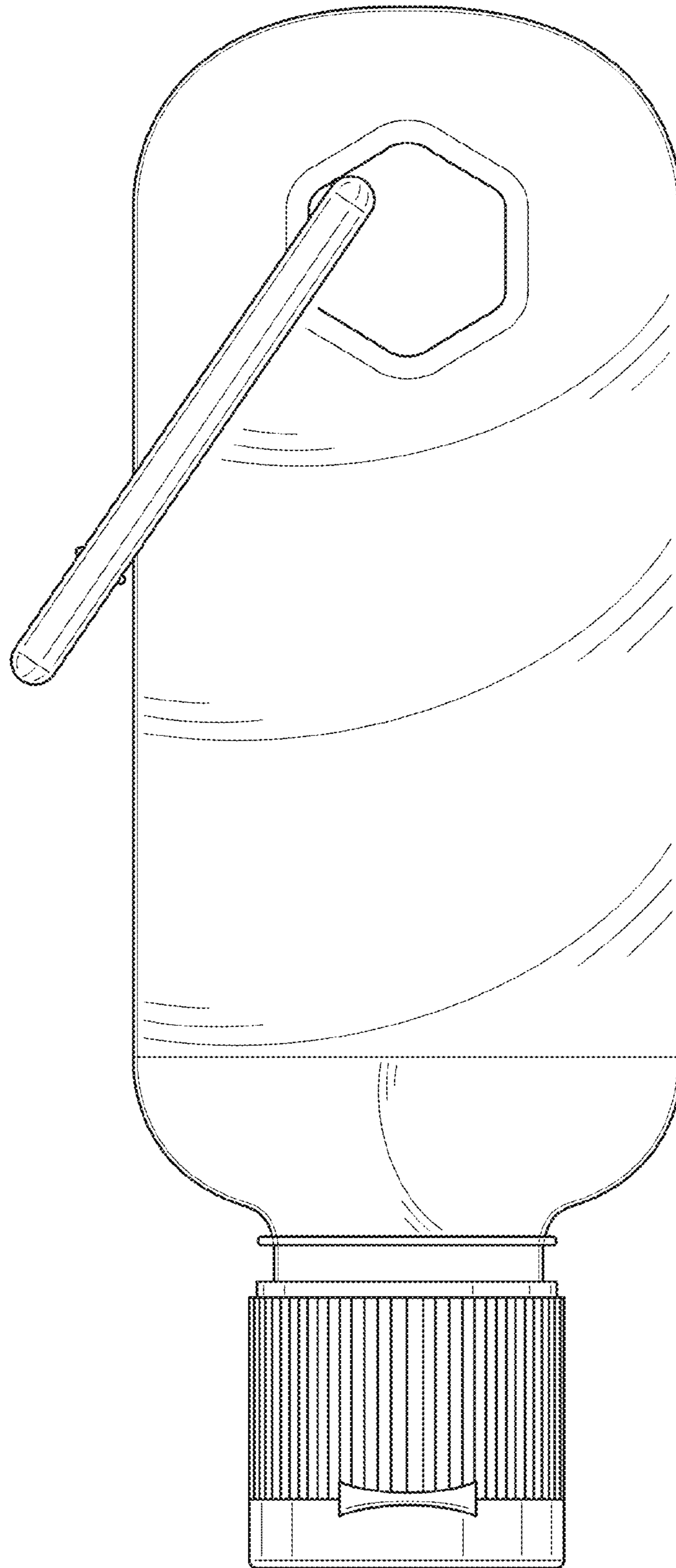


FIG. 4

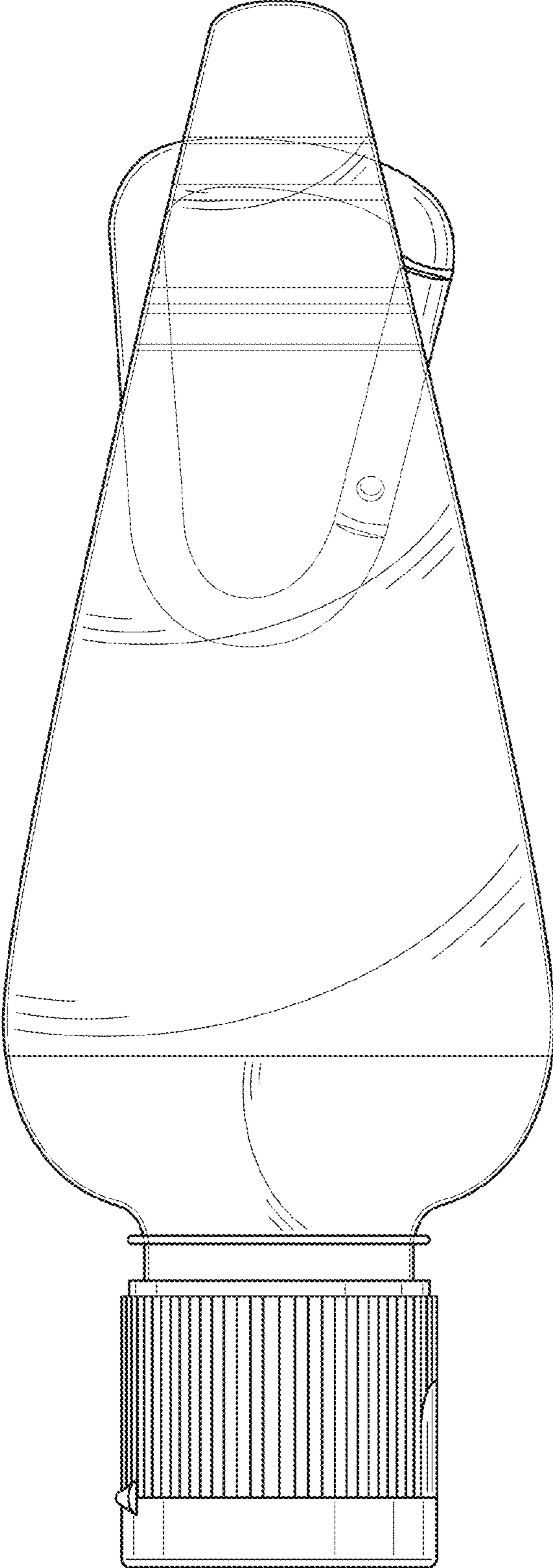


FIG. 5

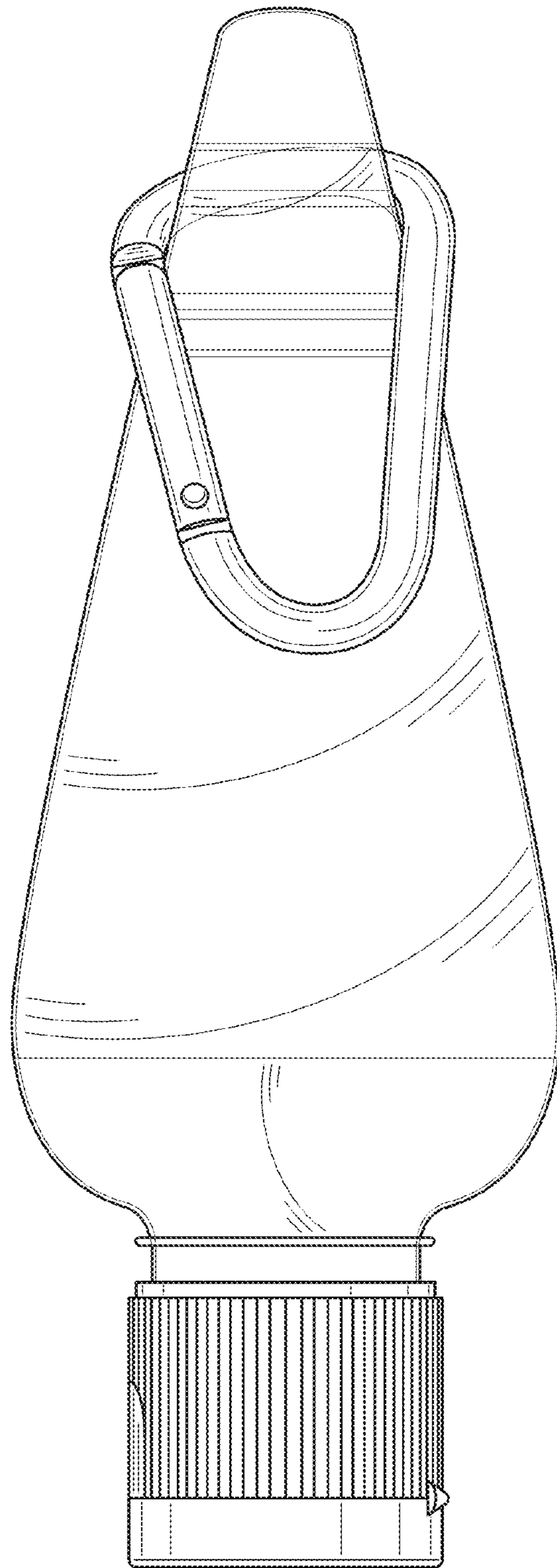


FIG. 6

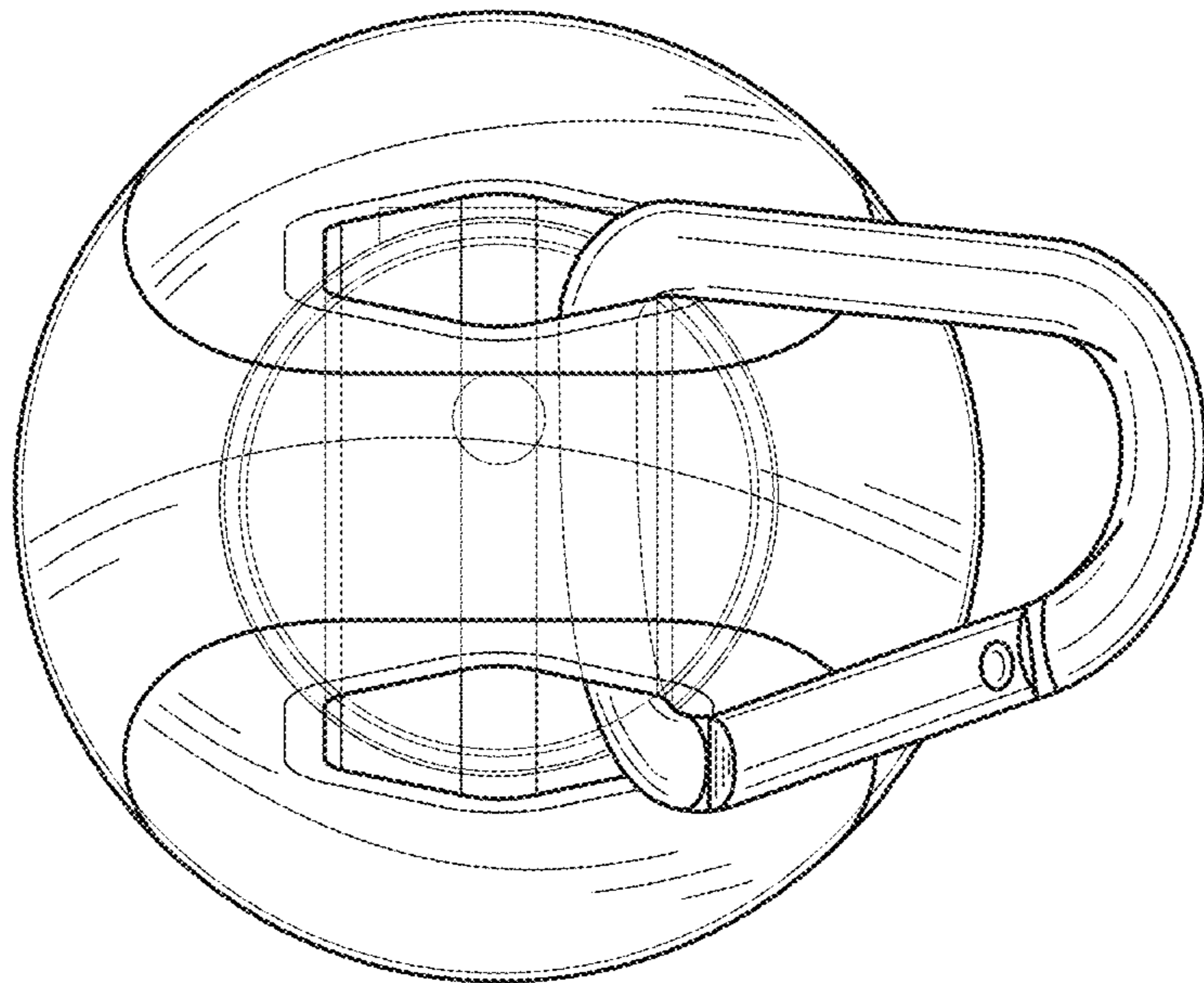


FIG. 7

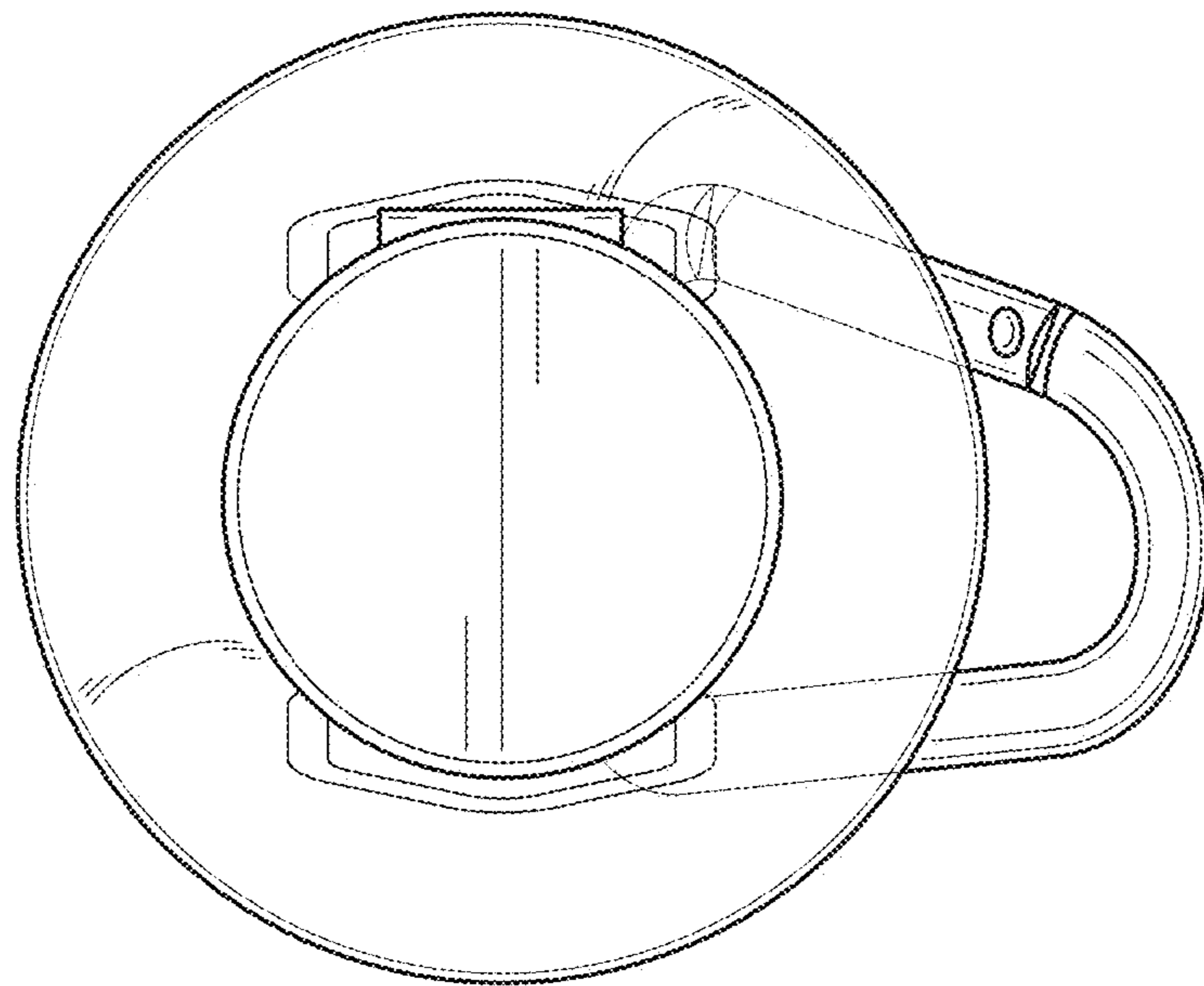


FIG. 8

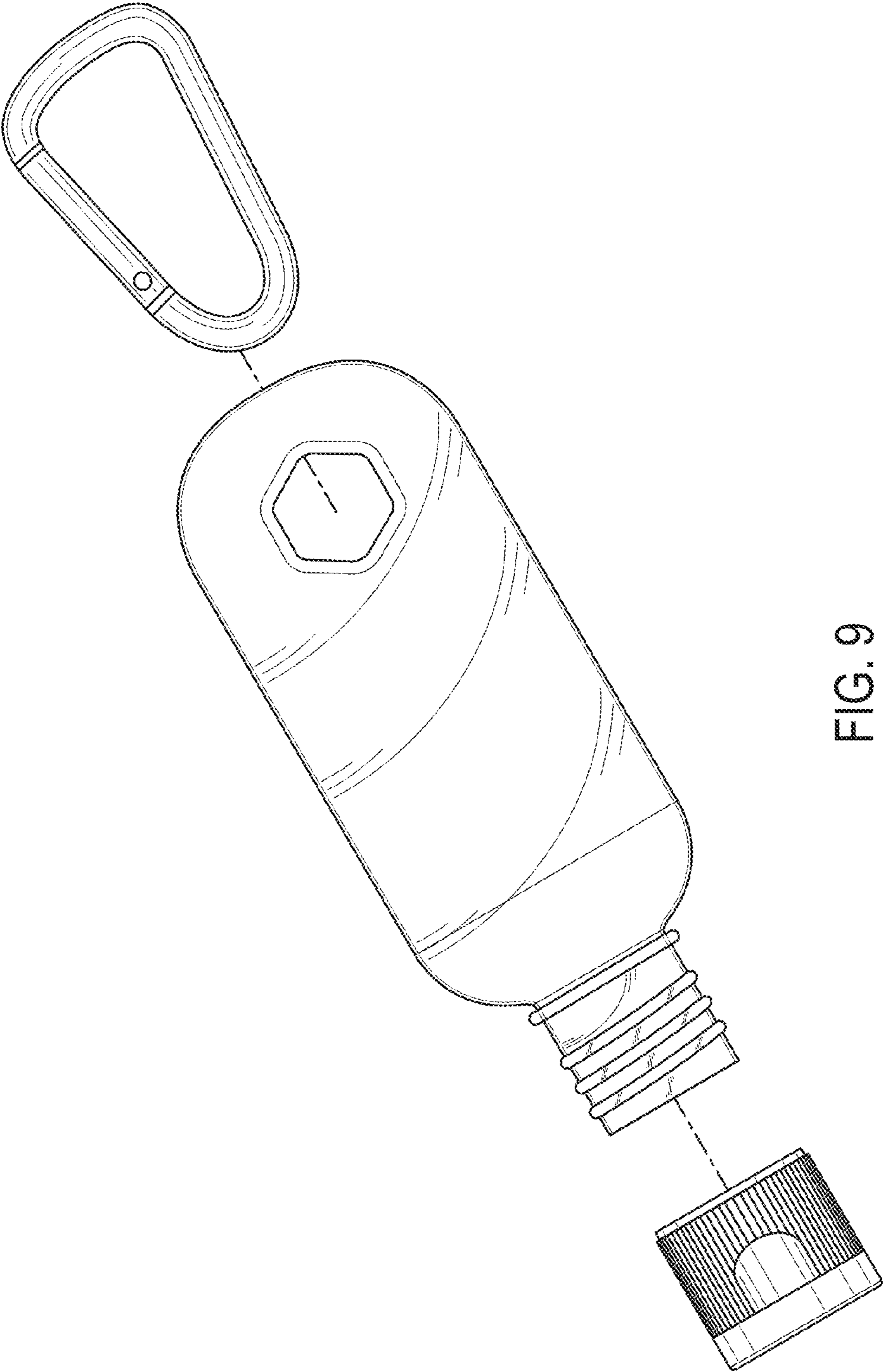


FIG. 9