



US00D752923S

(12) **United States Design Patent**  
**Lee**

(10) **Patent No.:** **US D752,923 S**  
(45) **Date of Patent:** **\*\* Apr. 5, 2016**

- (54) **PORTABLE WINE GLASS**
- (71) Applicant: **Hyung Ho Lee**, Cheongju-si (KR)
- (72) Inventor: **Hyung Ho Lee**, Cheongju-si (KR)
- (73) Assignee: **Hyung Ho Lee**, Cheongju-Si (KR)
- (\*\*) Term: **14 Years**

- D284,155 S \* 6/1986 Blake ..... D7/528
- 5,014,865 A 5/1991 Sauber ..... 215/99.5
- D355,812 S \* 2/1995 DuBow ..... D7/524
- 5,513,764 A 5/1996 Harrison et al. .... 215/372
- 5,609,409 A \* 3/1997 Diehl ..... A47G 19/2227  
362/101
- D395,197 S \* 6/1998 Jank ..... D7/396.2

(Continued)

- (21) Appl. No.: **29/519,477**
- (22) Filed: **Mar. 5, 2015**

**FOREIGN PATENT DOCUMENTS**

- JP 2001-039445 2/2001 ..... B65D 25/24
- JP 3148886 2/2009 ..... B65D 25/24

(Continued)

**Related U.S. Application Data**

- (63) Continuation of application No. 14/124,123, filed as application No. PCT/KR2012/009294 on Nov. 7, 2012, now Pat. No. 9,044,112.
- (51) **LOC (10) Cl.** ..... **07-01**
- (52) **U.S. Cl.**  
USPC ..... **D7/528; D7/524**
- (58) **Field of Classification Search**  
USPC ..... D7/524-528, 537, 507, 503, 522;  
215/382; 220/703, 704, 592.16,  
220/592.17; 229/128; 362/101  
CPC A47G 19/2205; A47G 19/28; A47G 19/2255  
See application file for complete search history.

**OTHER PUBLICATIONS**

<http://gadling.com/2009/08/31/five-travel-products-for-the-wine-lover/> Five travel products for the wine lover Aug. 31, 2009.\*

*Primary Examiner* — Marianne Pandozzi  
*Assistant Examiner* — Jae Liang  
(74) *Attorney, Agent, or Firm* — Harness, Dickey & Pierce, P.L.C.

(57) **CLAIM**  
The ornamental design for a portable wine glass, as shown and described.

(56) **References Cited**

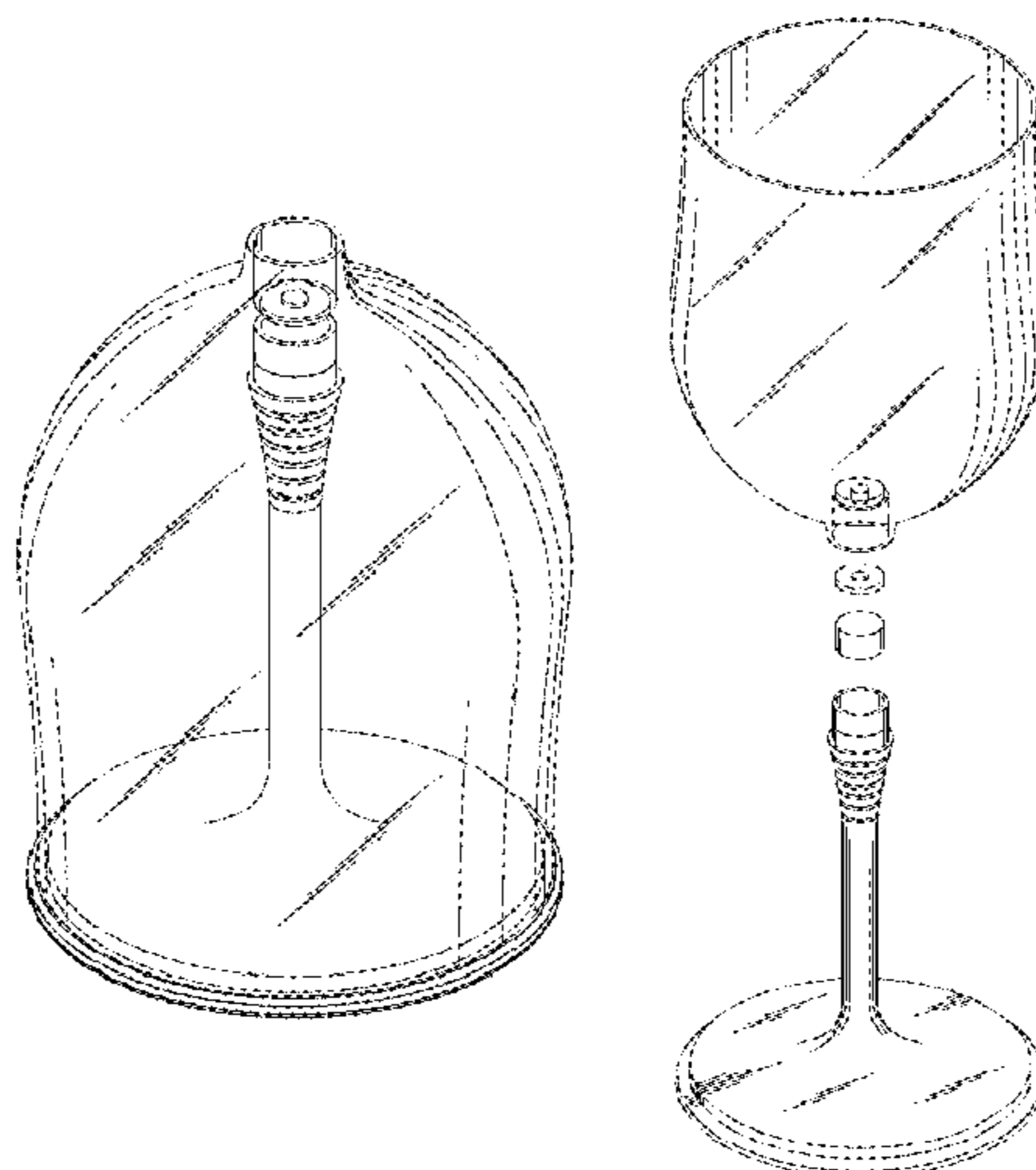
**U.S. PATENT DOCUMENTS**

- 83,341 A 10/1868 Towndrow ..... 215/377
- 600,427 A \* 3/1898 Jones ..... B65D 1/06  
215/377
- D98,539 S \* 2/1936 McCartney ..... D7/522
- D99,181 S \* 4/1936 Bell ..... D7/528
- 2,224,319 A \* 12/1940 Schroyer ..... A47G 19/2227  
215/377
- 2,996,208 A 8/1961 Schroeder ..... 215/99.5
- 3,013,688 A 12/1961 Luning ..... 215/100.5
- 3,218,447 A \* 11/1965 Pardue ..... A47G 19/2227  
362/101
- 3,393,819 A 7/1968 Van De Walle et al. .... 215/99.5
- 3,482,731 A \* 12/1969 Douty ..... B65D 7/04  
215/377

**DESCRIPTION**

FIG. 1 is a perspective view of a portable wine glass, in a closed position, showing my new design;  
FIG. 2 is a front view thereof;  
FIG. 3 is a rear view thereof;  
FIG. 4 is a left side view thereof;  
FIG. 5 is a right side view thereof;  
FIG. 6 is a top view thereof;  
FIG. 7 is a bottom view thereof;  
FIG. 8 is a perspective view of the portable wine glass, in an open position; and,  
FIG. 9 is an exploded view thereof.

**1 Claim, 8 Drawing Sheets**



(56)

References Cited

U.S. PATENT DOCUMENTS

D406,986 S \* 3/1999 Lewis ..... D7/524  
 5,879,068 A \* 3/1999 Menashrov ..... A47G 19/2227  
 362/101  
 5,931,558 A \* 8/1999 Chen ..... A47G 19/2227  
 362/101  
 5,996,825 A 12/1999 Gordon et al. .... 215/10  
 D427,230 S \* 6/2000 Lillelund ..... D7/396.2  
 6,322,227 B1 \* 11/2001 Liu et al. .... A47G 19/2227  
 362/101  
 6,662,959 B1 \* 12/2003 Westerhold ..... A47G 19/2255  
 215/377  
 D530,150 S \* 10/2006 Eddy ..... D7/396.2  
 D560,436 S \* 1/2008 Mangano ..... D7/500  
 7,861,888 B2 1/2011 Niedzwiecki ..... 220/703  
 D682,621 S \* 5/2013 Penttinen ..... D7/524  
 8,829,824 B2 9/2014 Scott ..... 315/377  
 2002/0104819 A1 8/2002 Matsui ..... 215/377  
 2006/0032855 A1 \* 2/2006 Hinkle ..... A47G 19/2205  
 220/703  
 2007/0257048 A1 \* 11/2007 Towery ..... A47G 19/2227  
 220/703  
 2008/0179328 A1 7/2008 Anderson ..... 220/475

2008/0290102 A1 \* 11/2008 Mangano ..... A47G 19/2205  
 220/703  
 2011/0174763 A1 \* 7/2011 Kennedy ..... A47G 19/2255  
 215/377  
 2013/0020333 A1 \* 1/2013 Scott ..... A47G 19/2255  
 220/630  
 2013/0228544 A1 \* 9/2013 Benetti ..... A47G 19/2255  
 215/378  
 2013/0313221 A1 \* 11/2013 Vacanti ..... A47G 19/2205  
 215/374  
 2013/0334166 A1 12/2013 Garipalli et al. .... 215/377  
 2014/0054304 A1 \* 2/2014 Hu ..... A47G 19/2205  
 220/630  
 2014/0291335 A1 \* 10/2014 Lee ..... A45F 3/20  
 220/630  
 2014/0299601 A1 \* 10/2014 Schiavone ..... A47G 19/2205  
 220/288  
 2014/0332495 A1 \* 11/2014 Choi ..... B65D 1/06  
 215/378

FOREIGN PATENT DOCUMENTS

KR 10-2008-0006233 1/2008 ..... A47G 19/22  
 KR 20-0455115 8/2011 ..... A47G 19/22

\* cited by examiner

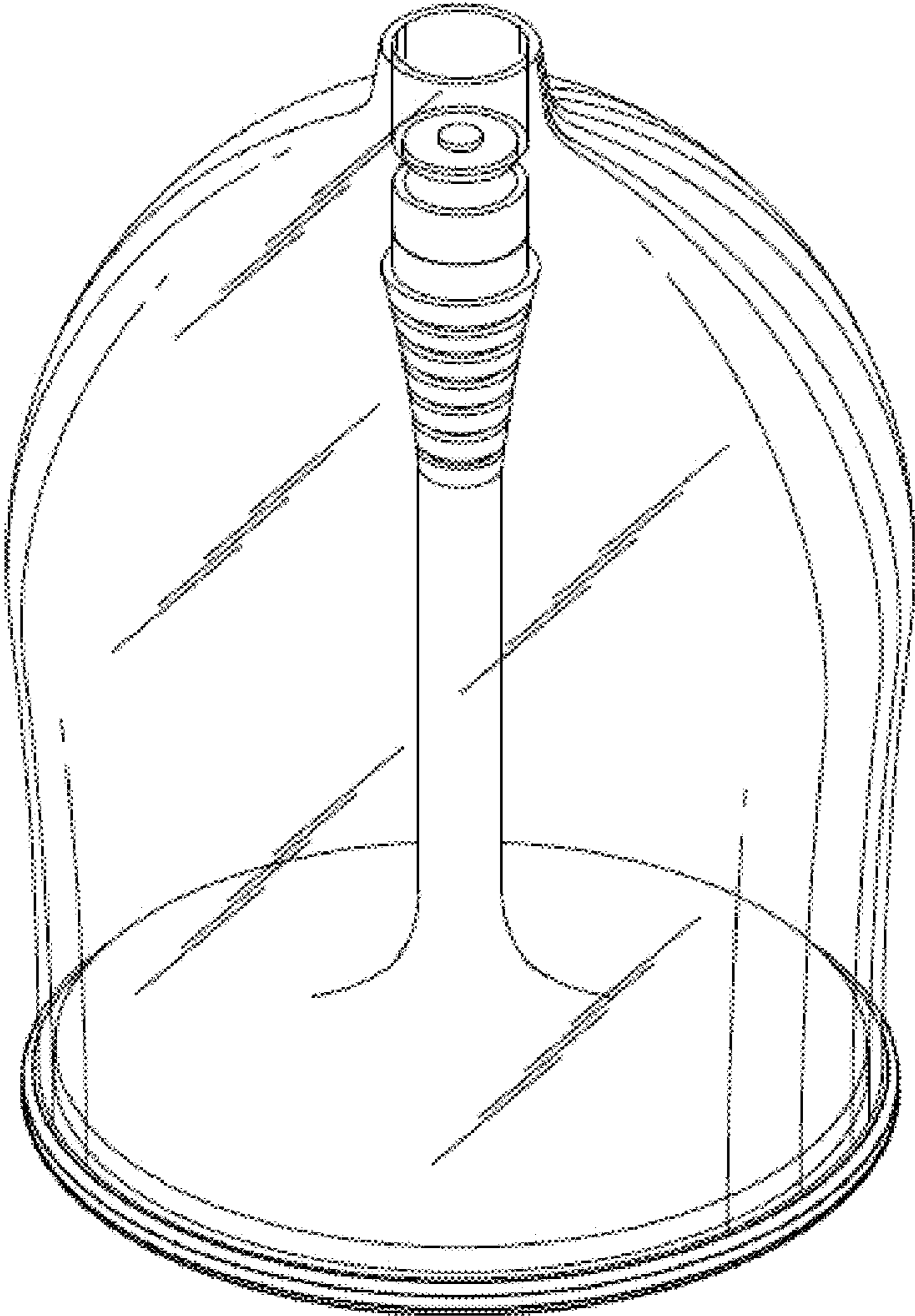


FIG. 1

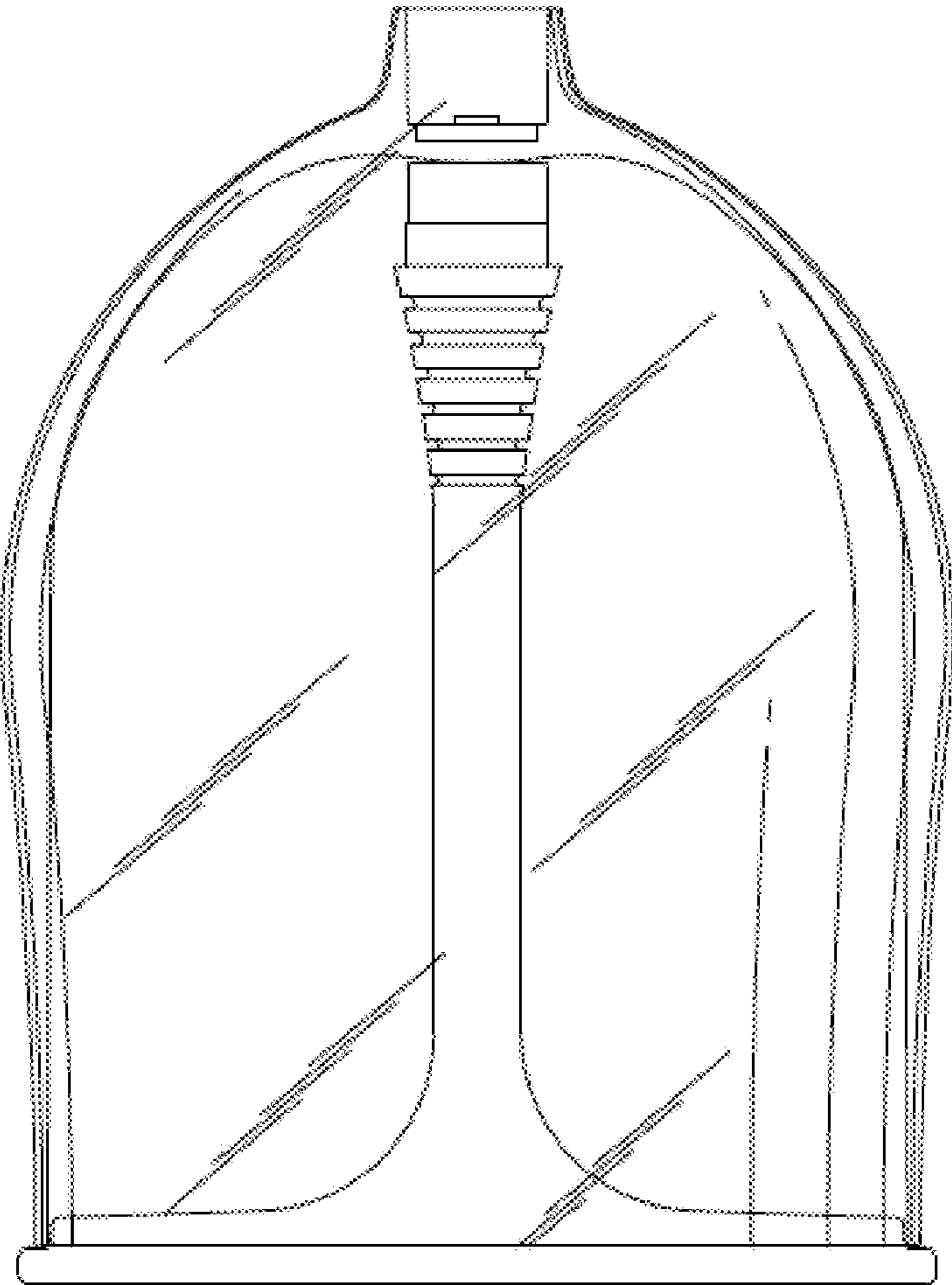


FIG. 2

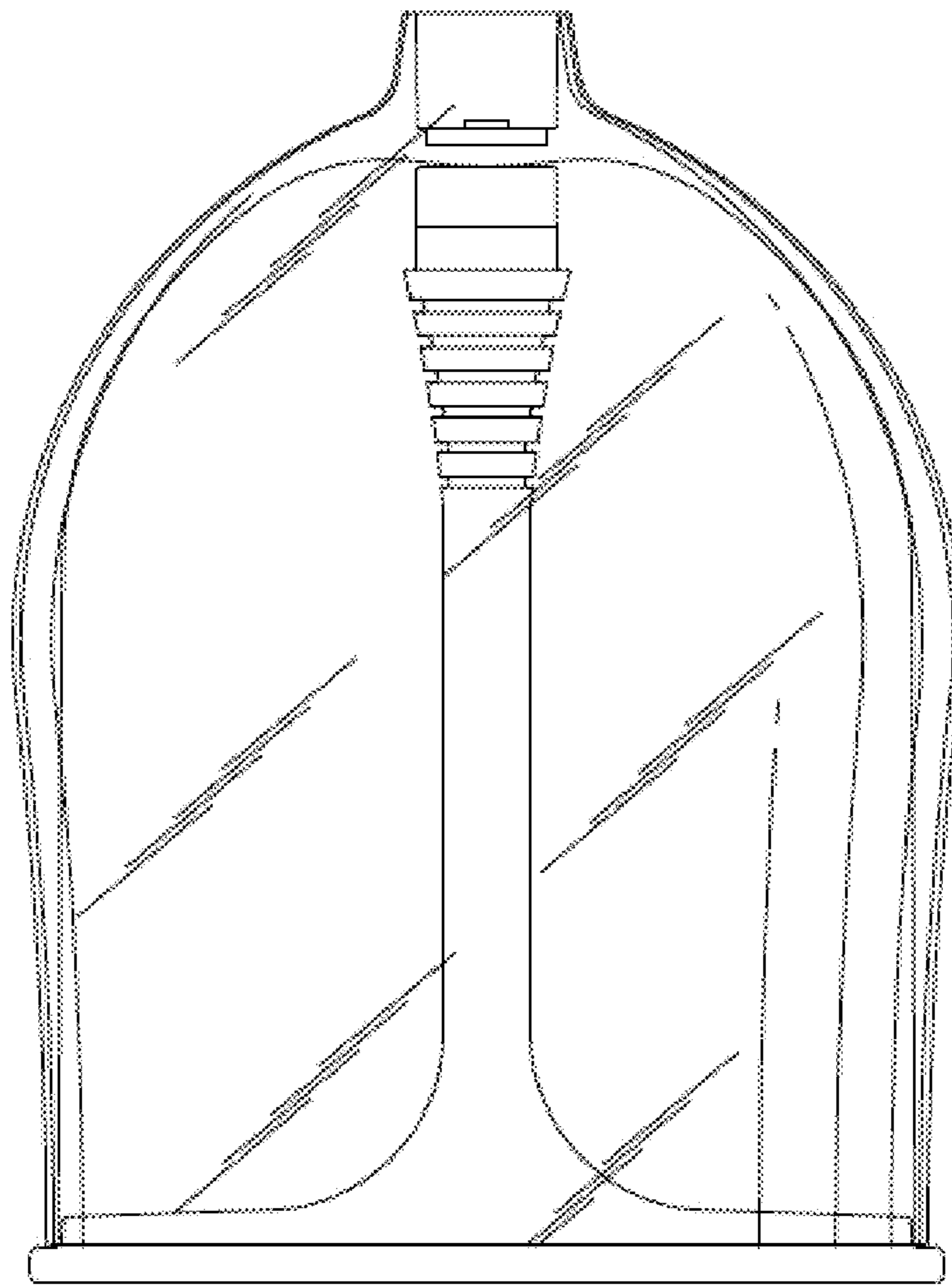


FIG. 3

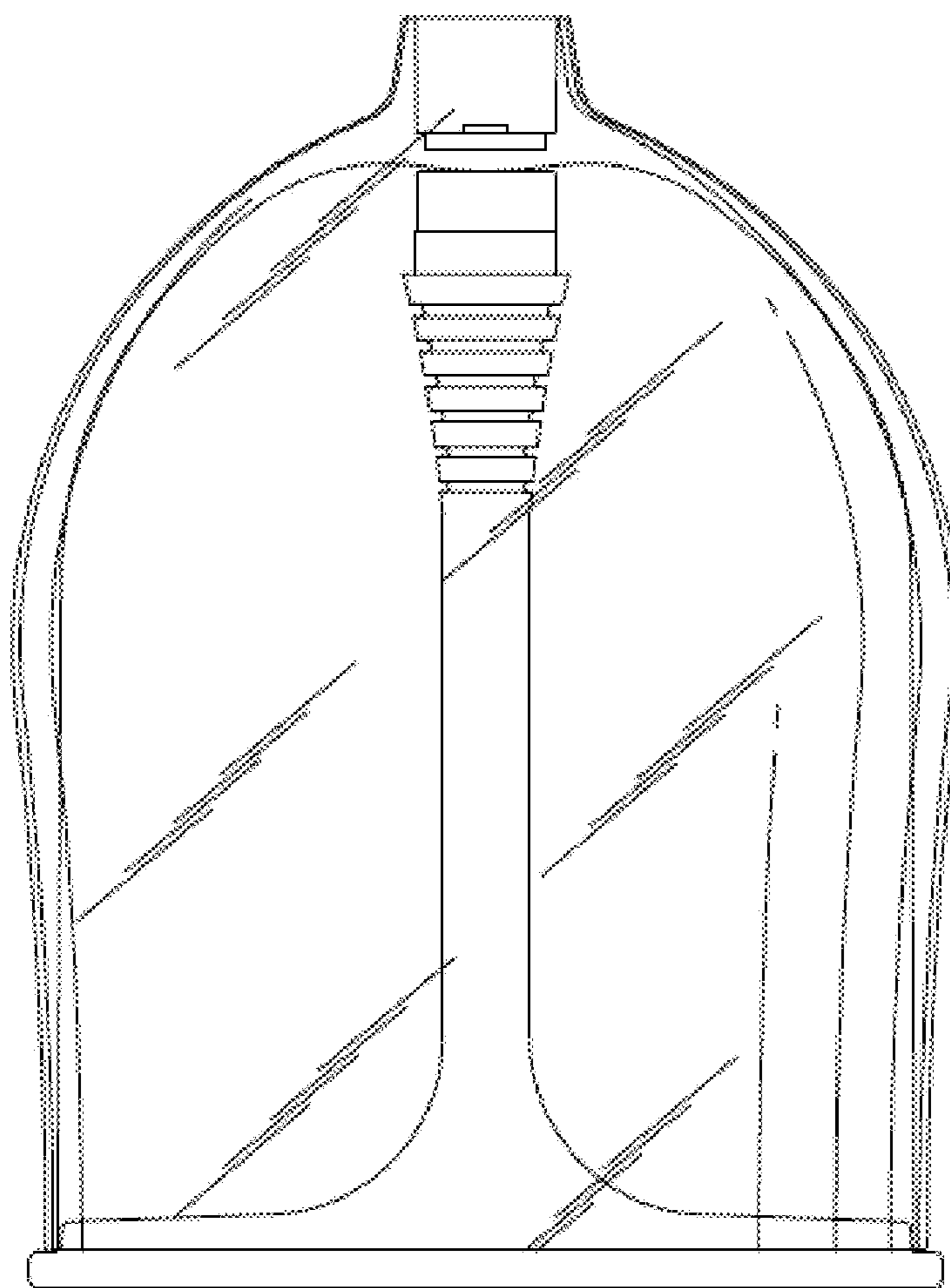


FIG. 4

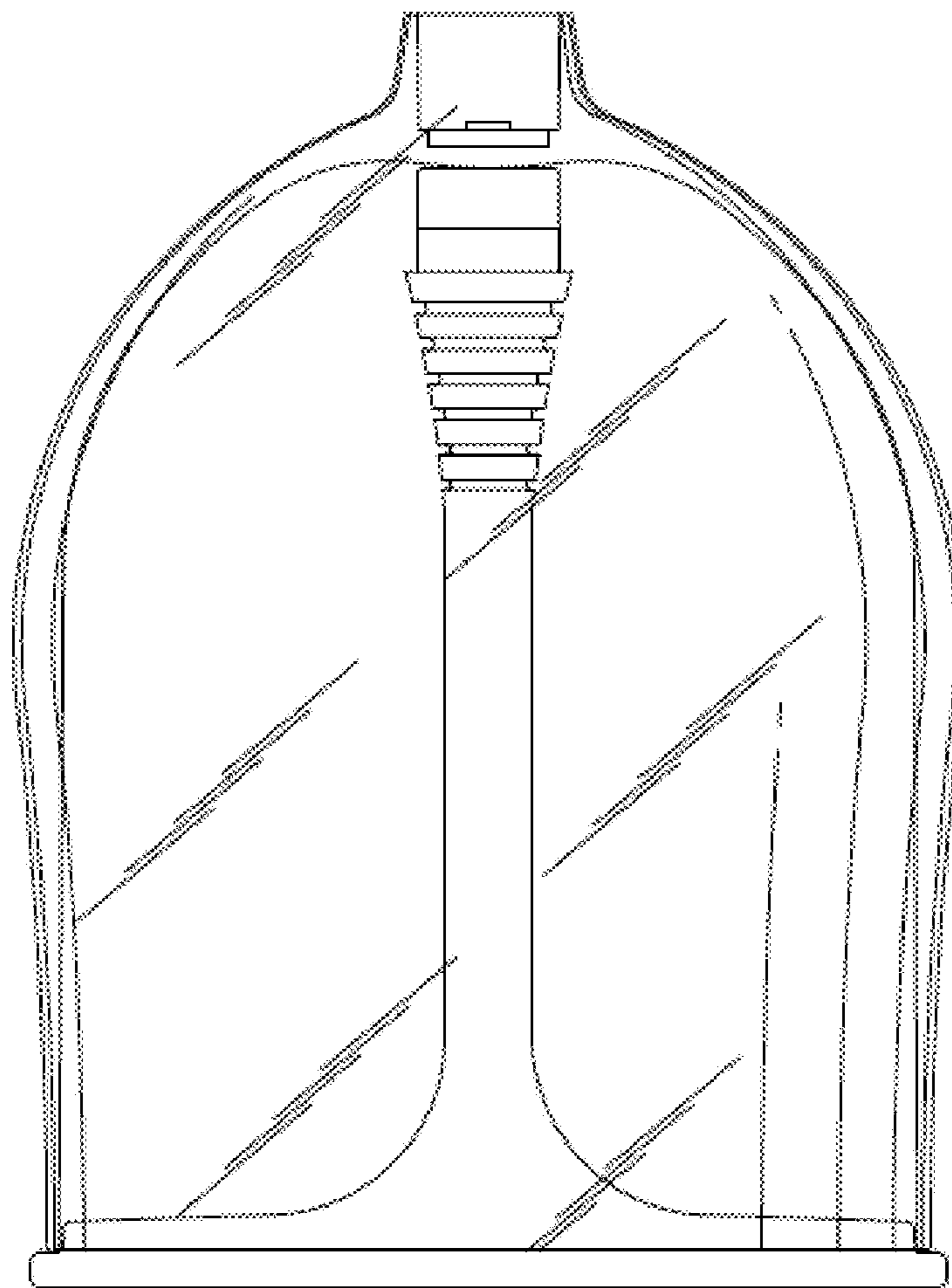


FIG. 5

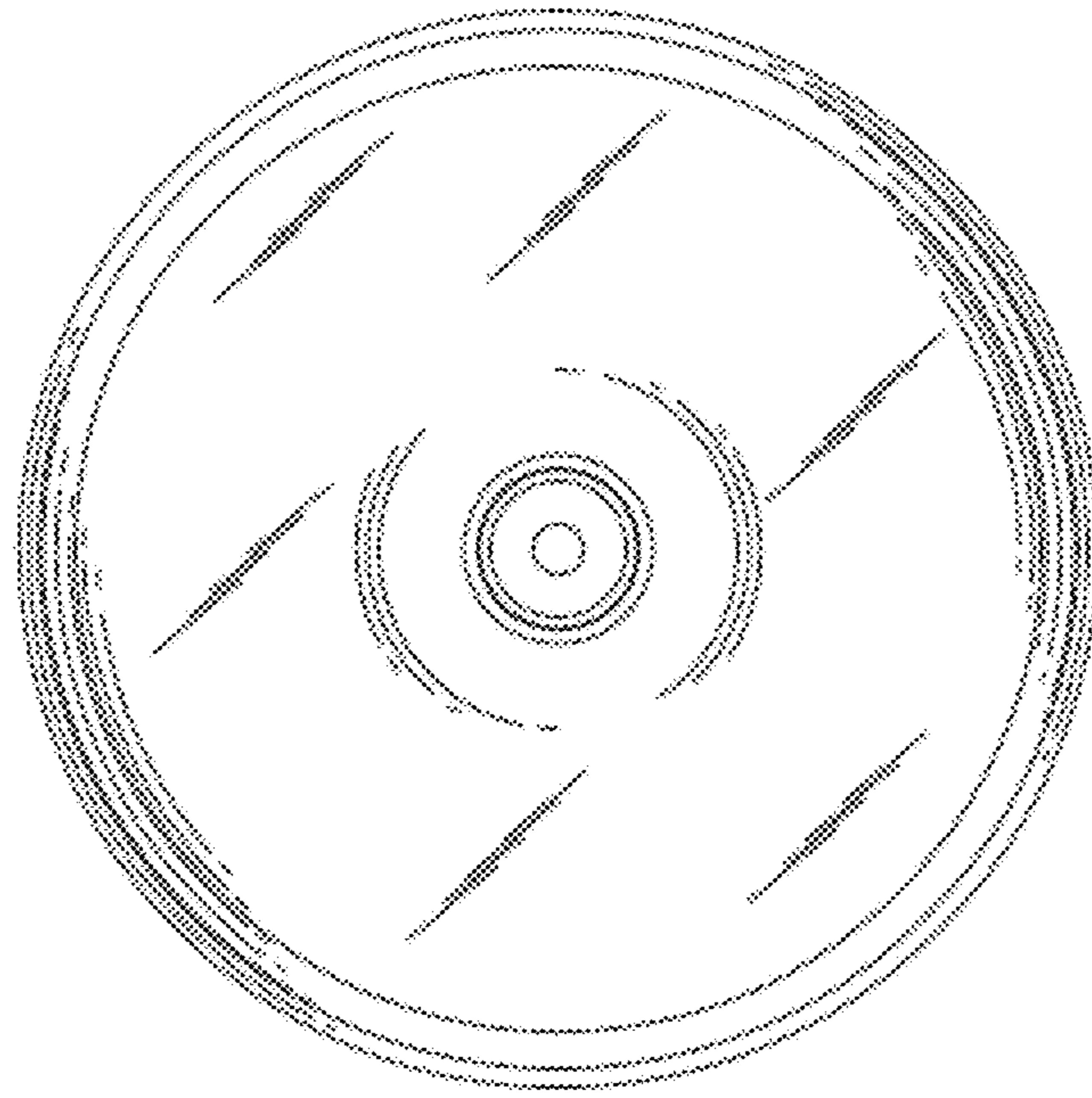


FIG. 6

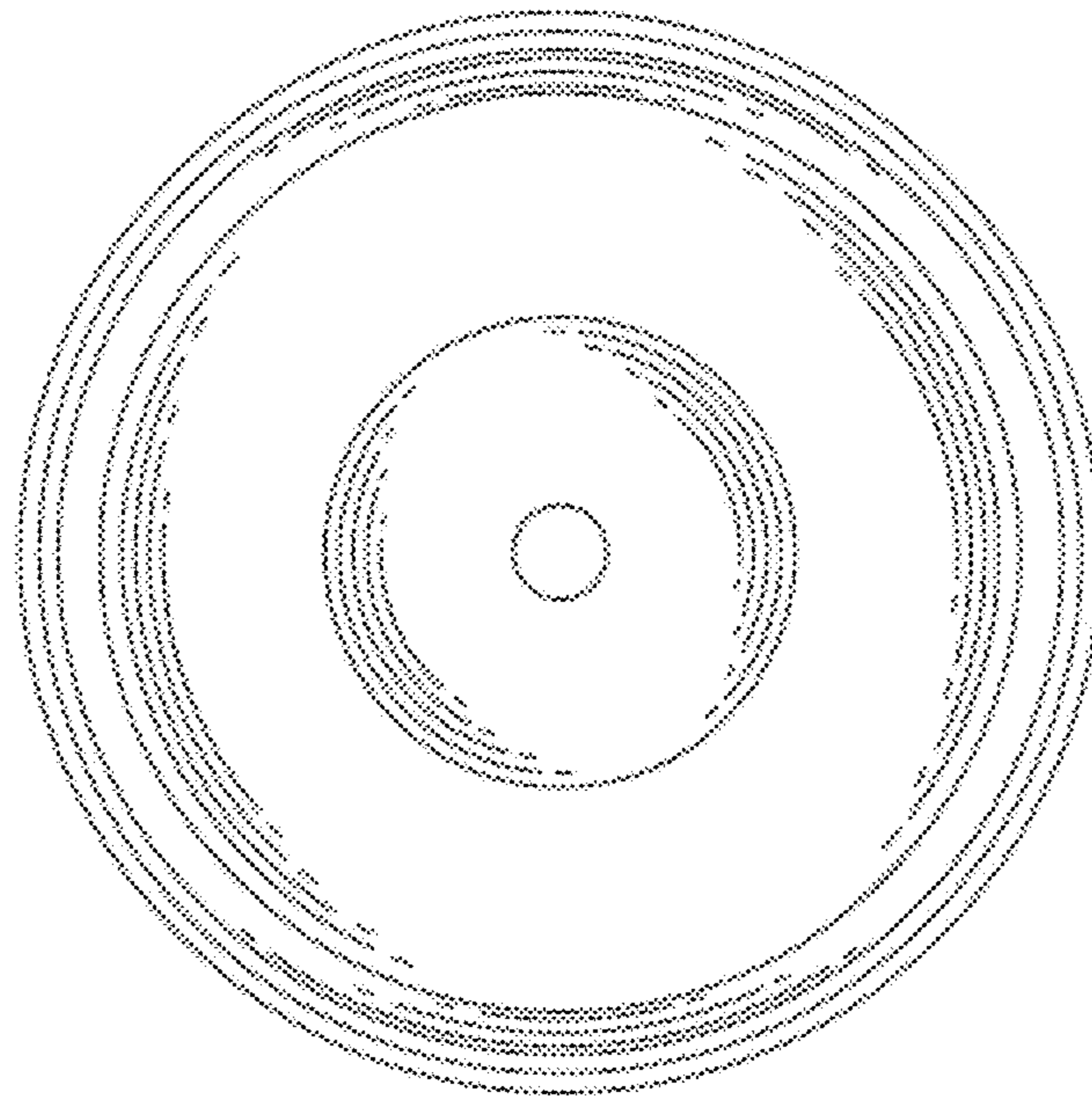


FIG. 7



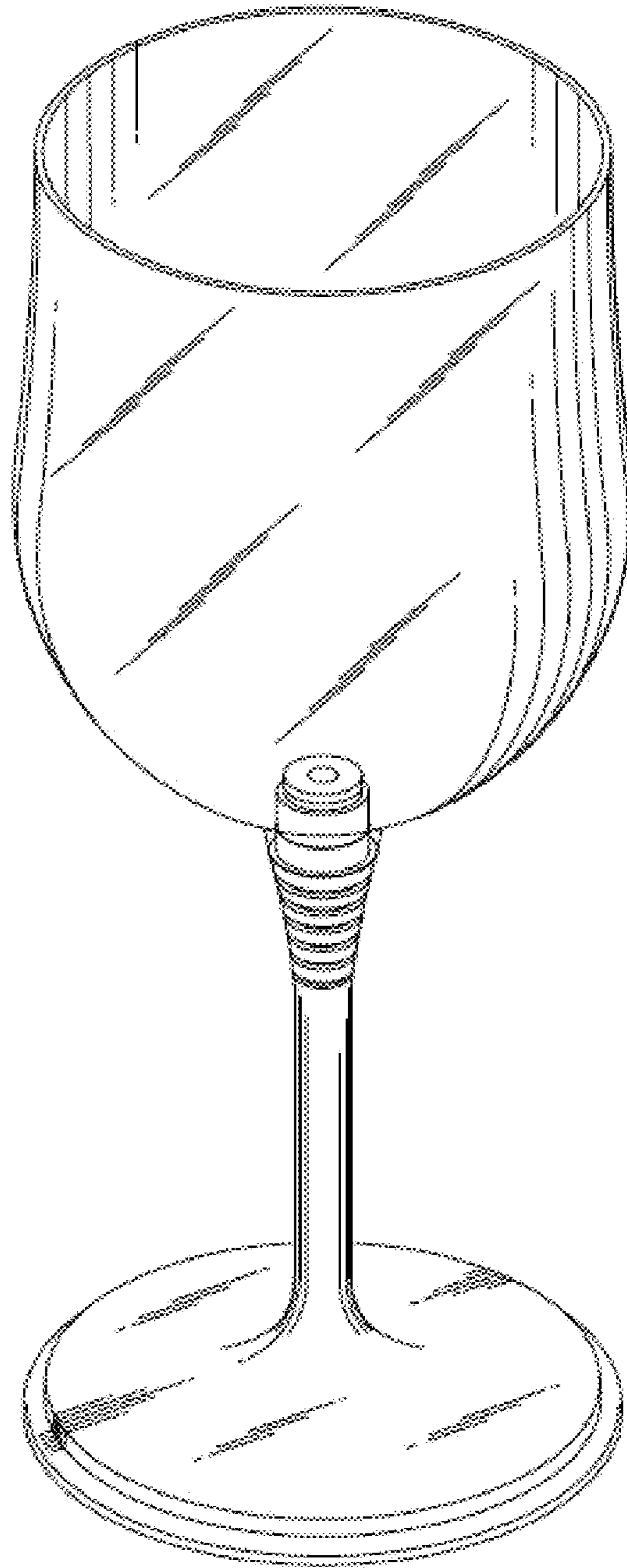


FIG. 8

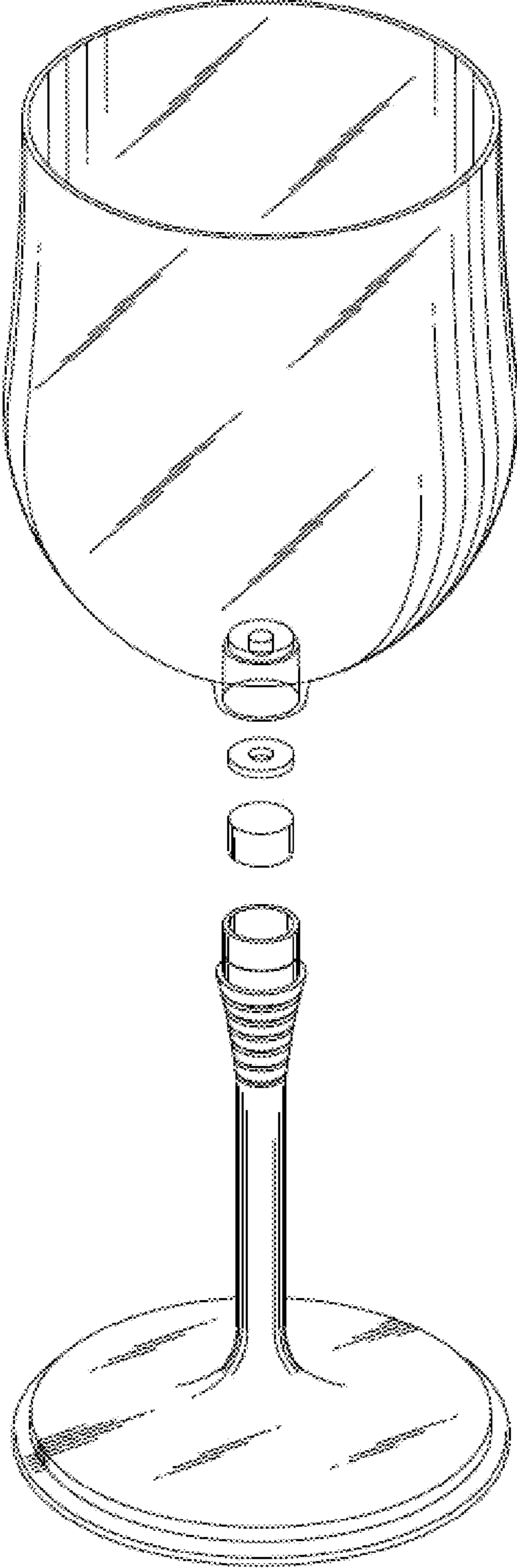


FIG. 9