



US00D752922S

(12) **United States Design Patent**
Greenwood

(10) **Patent No.:** **US D752,922 S**
(45) **Date of Patent:** **** Apr. 5, 2016**

(54) **PORTABLE FOOD TURNTABLE**

(56) **References Cited**

(71) Applicant: **YouCopia Products Inc.**, Chicago, IL
(US)

U.S. PATENT DOCUMENTS

(72) Inventor: **Mark Greenwood**, Arlington Heights,
IL (US)

D384,861 S *	10/1997	Richard	D7/357
D390,419 S *	2/1998	Perlmutter	D7/549
D487,671 S *	3/2004	Siegel	D7/501
D576,838 S *	9/2008	Wong	D7/501
D587,517 S *	3/2009	Cheng	D7/354
D595,088 S *	6/2009	Watts	D7/501
D596,894 S *	7/2009	Cheng	D7/357

(73) Assignee: **YOUCOPIA PRODUCTS INC.**,
Chicago, IL (US)

* cited by examiner

(**) Term: **14 Years**

Primary Examiner — Cynthia Underwood

(21) Appl. No.: **29/513,330**

(74) *Attorney, Agent, or Firm* — Knechtel, Demeur & Samlan

(22) Filed: **Dec. 30, 2014**

(57) **CLAIM**

I claim the ornamental design for a portable food turntable, as shown and described.

(51) **LOC (10) Cl.** **07-01**

DESCRIPTION

(52) **U.S. Cl.**
USPC **D7/501**

(58) **Field of Classification Search**
USPC D7/584, 500, 560, 554.3, 550.1, 538,
D7/571, 587, 586, 551.2, 543, 545, 505,
D7/566, 509, 555, 553.6; 220/574;
D30/129; D3/304; D19/107, 135, 95;
206/459.5
CPC A47G 19/02; A47G 19/06; A47G 23/06;
A47G 19/12; A47G 19/00; B65D 1/34;
A01K 5/0142; A01K 5/0114

FIG. 1 is a perspective view of a portable food turntable showing the new design.
FIG. 2 is a front side elevational view thereof.
FIG. 3 is a top elevational view thereof.
FIG. 4 is a right side elevational view thereof.
The left side elevational view is a mirror image of the right side elevational view.
FIG. 5 is a back side elevational view thereof; and,
FIG. 6 is a bottom side elevational view thereof.
The broken lines depict environmental subject matter and form no part of the claimed design. Additionally, the broken line details of the surface in FIGS. 1 and 3 form no part of the claimed design.

See application file for complete search history.

1 Claim, 3 Drawing Sheets

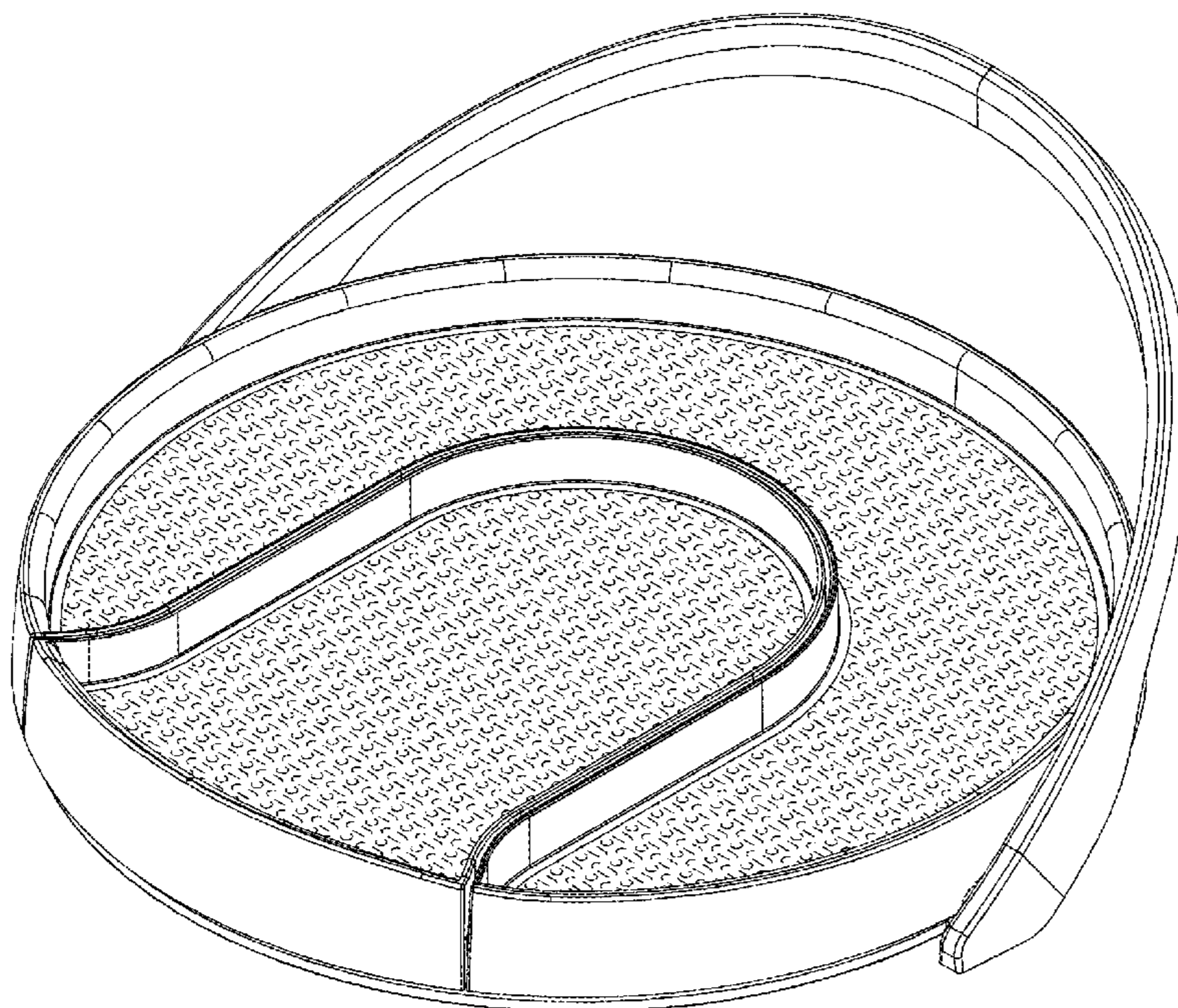


Fig. 1

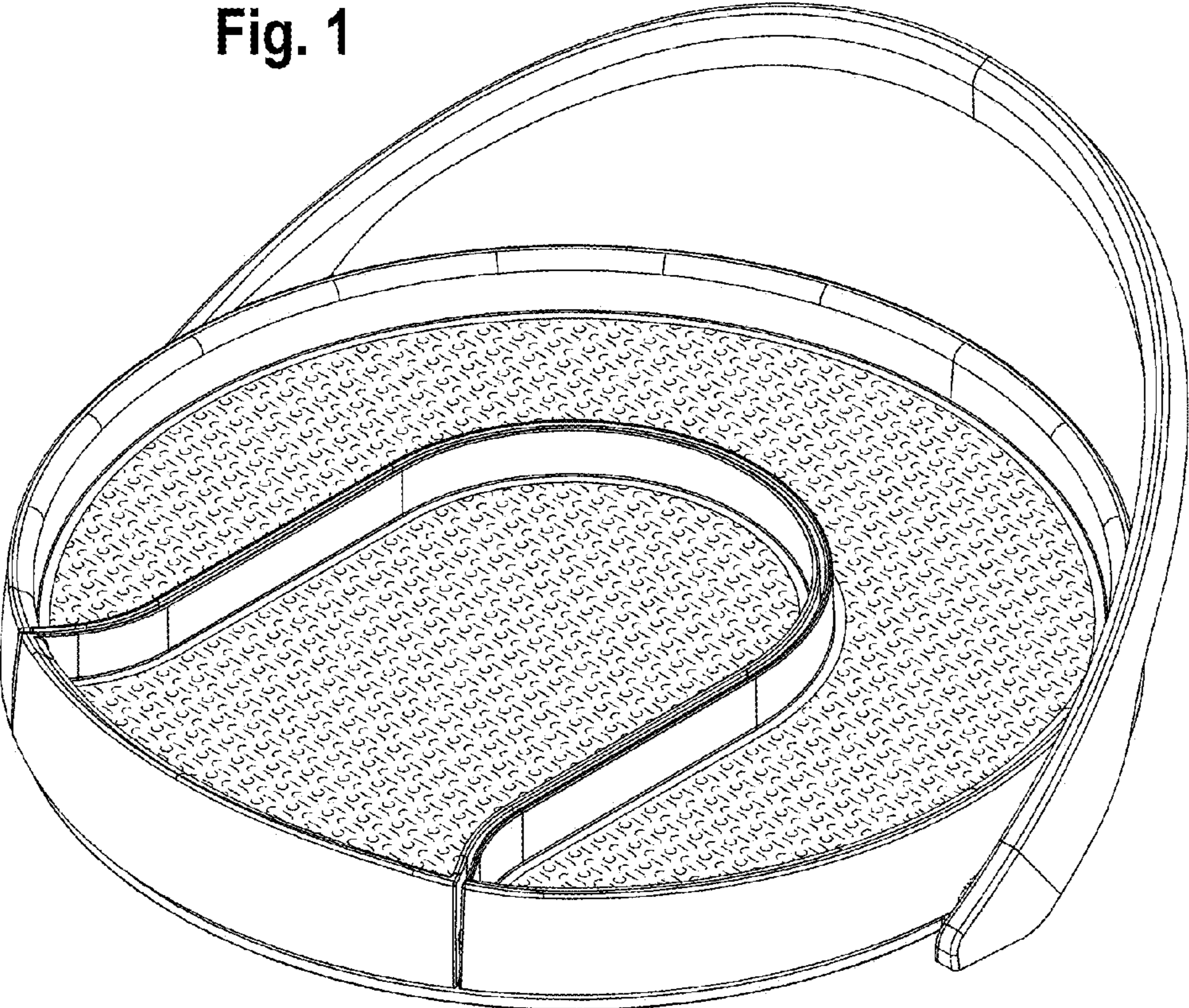


Fig. 2

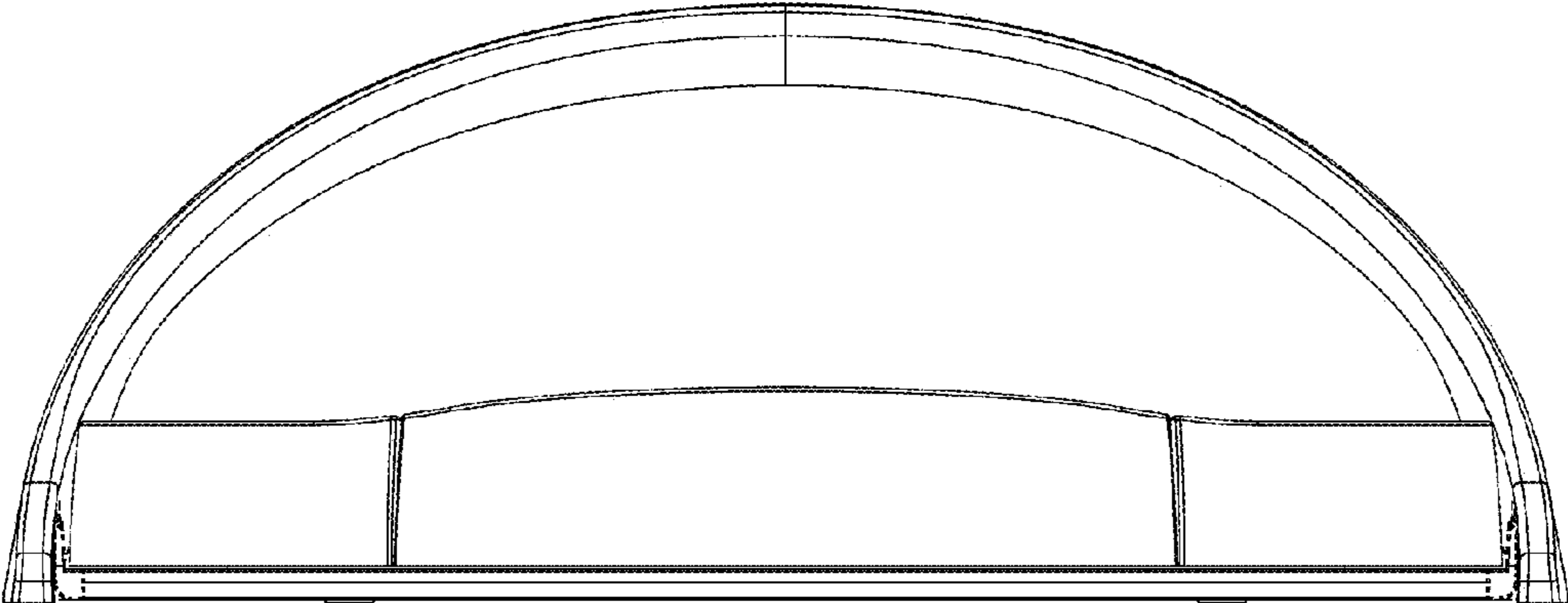


Fig. 3

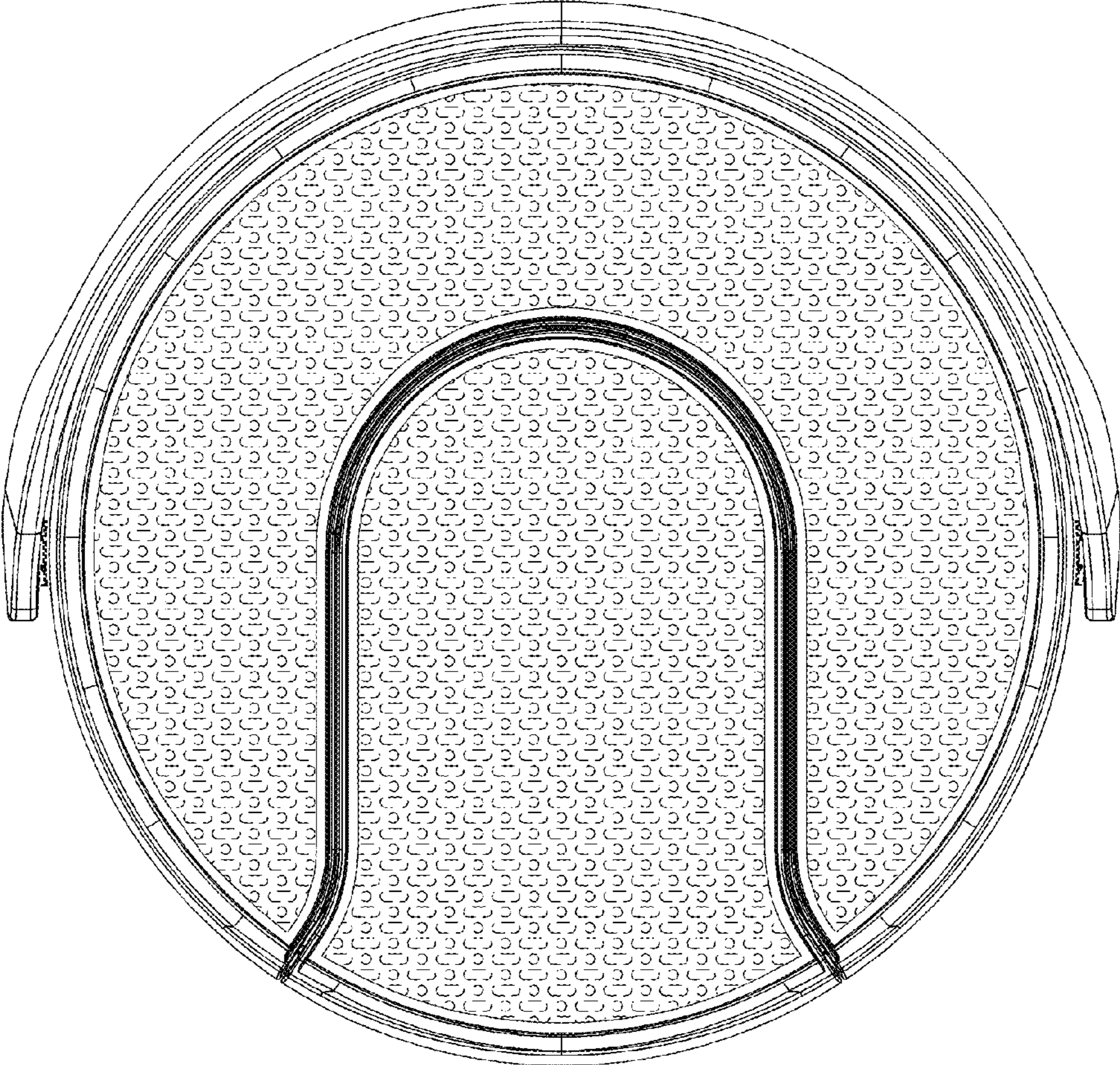


Fig. 4

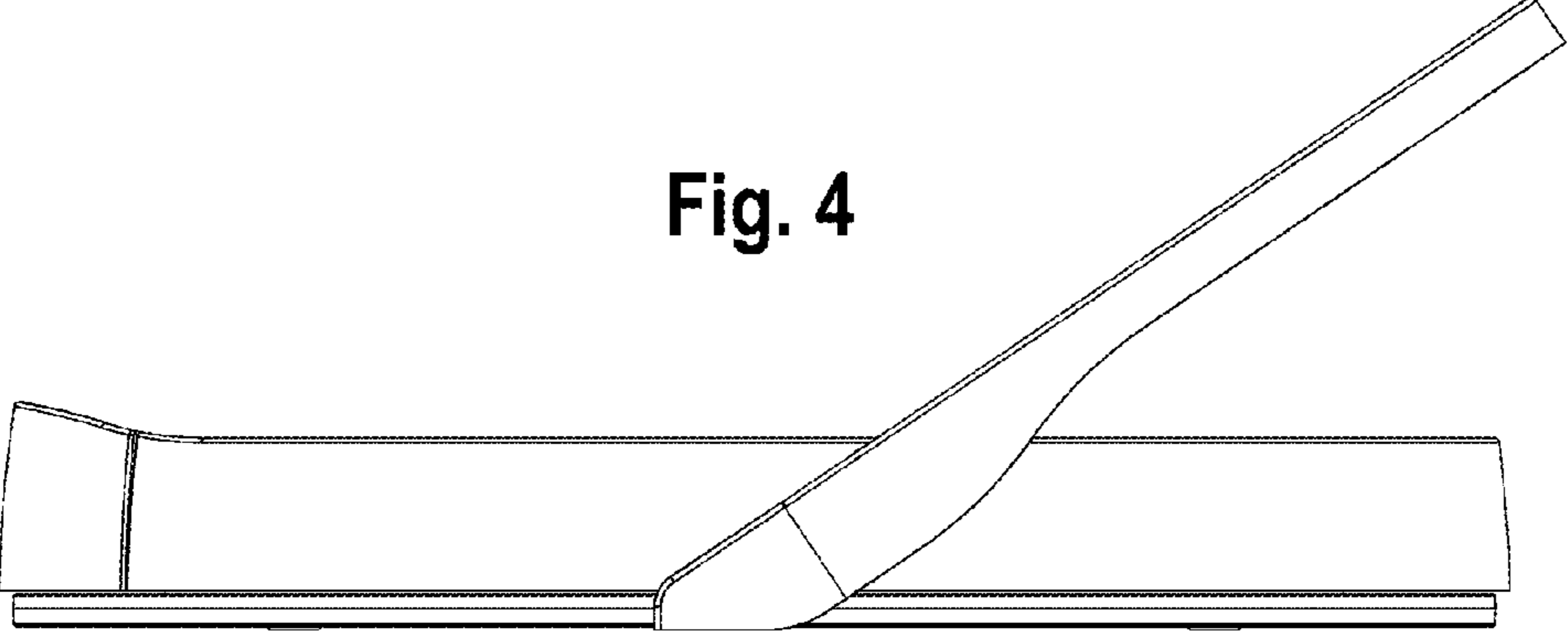


Fig. 5

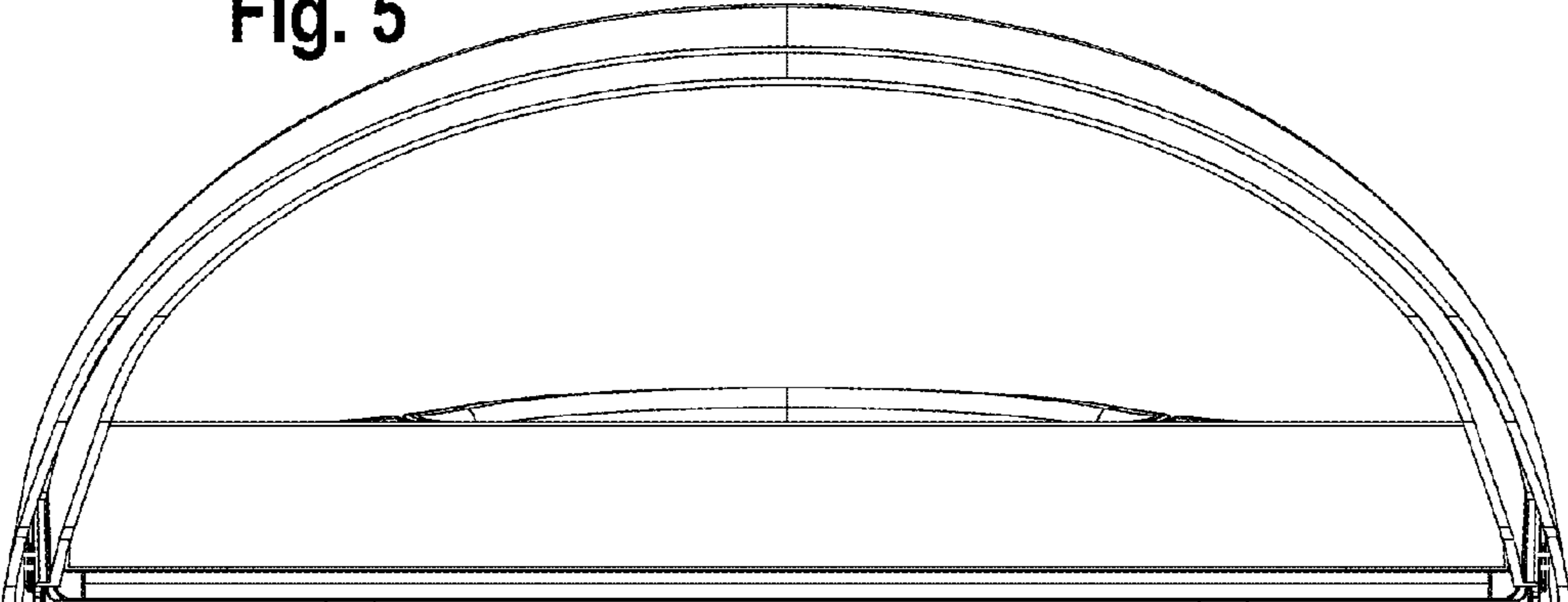


Fig. 6

