



US00D752920S

(12) **United States Design Patent**
Boo et al.

(10) **Patent No.:** **US D752,920 S**
(45) **Date of Patent:** **** Apr. 5, 2016**

- (54) **KNOB FOR HOME APPLIANCE**
- (71) Applicant: **Samsung Electronics Co., Ltd.**,
Suwon-si (KR)
- (72) Inventors: **Min-Hyong Boo**, Seoul (KR);
Kyung-Tae Kim, Suwon-Si (KR);
Kang-Doo Kim, Seoul (KR)
- (73) Assignee: **Samsung Electronics Co., Ltd.**,
Suwon-si (KR)

D634,156	S	*	3/2011	Fuller et al.	D7/393
8,408,091	B2	*	4/2013	Reddering et al.	74/527
8,449,289	B2	*	5/2013	Albizuri	126/25 R
D710,673	S	*	8/2014	Boo et al.	D8/311
D715,126	S	*	10/2014	Kim et al.	D7/393
2004/0107545	A1	*	6/2004	Worrell	16/441

* cited by examiner

Primary Examiner — T. Chase Nelson

Assistant Examiner — Mark Cavanna

(74) *Attorney, Agent, or Firm* — NSIP Law

(**) Term: **14 Years**

(21) Appl. No.: **29/455,965**

(22) Filed: **May 28, 2013**

(30) **Foreign Application Priority Data**

Dec. 5, 2012 (KR) 30-2012-0058459

(51) **LOC (10) Cl.** **07-02**

(52) **U.S. Cl.**
USPC **D7/405; D7/393**

(58) **Field of Classification Search**
USPC D7/340, 348, 350.1–350.4, 351, 402,
D7/405–406, 393; 219/756–758, 391, 393,
219/395, 401, 452.13; 126/19 M, 275 E,
126/25 R; 99/348, 353, 367, 468; 74/527;
116/320; 16/441; D8/310–312, 315,
D8/331

See application file for complete search history.

(56) **References Cited**

U.S. PATENT DOCUMENTS

3,534,706	A	*	10/1970	Crispell	116/320
4,012,806	A	*	3/1977	Howie, Jr.	16/441
4,037,490	A	*	7/1977	Wilson	116/320
D400,778	S	*	11/1998	Holbrook, Jr.	D8/311
D498,657	S	*	11/2004	Milrud et al.	D8/311
D525,518	S	*	7/2006	Baldwin	D8/310
D576,019	S	*	9/2008	Kim	D8/331
D577,983	S	*	10/2008	Martin et al.	D8/311
D612,704	S	*	3/2010	Funnell et al.	D8/310

(57) **CLAIM**

The ornamental design for a knob for home appliance, as shown and described.

DESCRIPTION

FIG. 1 is a perspective view of a knob for home appliance, showing our new design;
 FIG. 2 is a front view thereof;
 FIG. 3 is a rear view thereof;
 FIG. 4 is a left-side view thereof;
 FIG. 5 is a right-side view thereof;
 FIG. 6 is a top plan view thereof;
 FIG. 7 is a bottom plan view thereof;
 FIG. 8 is an enlarged view of the portion identified by the dot-dot-dash line in FIG. 1;
 FIG. 9 is an enlarged view of the portion identified by the dot-dot-dash line in FIG. 2;
 FIG. 10 is an enlarged view of the portion identified by the dot-dot-dash line in FIG. 5; and,
 FIG. 11 is a partially enlarged view of the portion 11 encircled in FIG. 7.

The broken lines are for illustrative purposes only and form no part of the claimed design.

The dot-dash broken lines encircling portions of the claimed design that are illustrated in enlargements form no part of the claimed design. The dot-dot-dash lines define boundaries of the claimed design and form no part of claimed design. The shade lines in the claimed design show contour and not surface ornamentation.

1 Claim, 11 Drawing Sheets

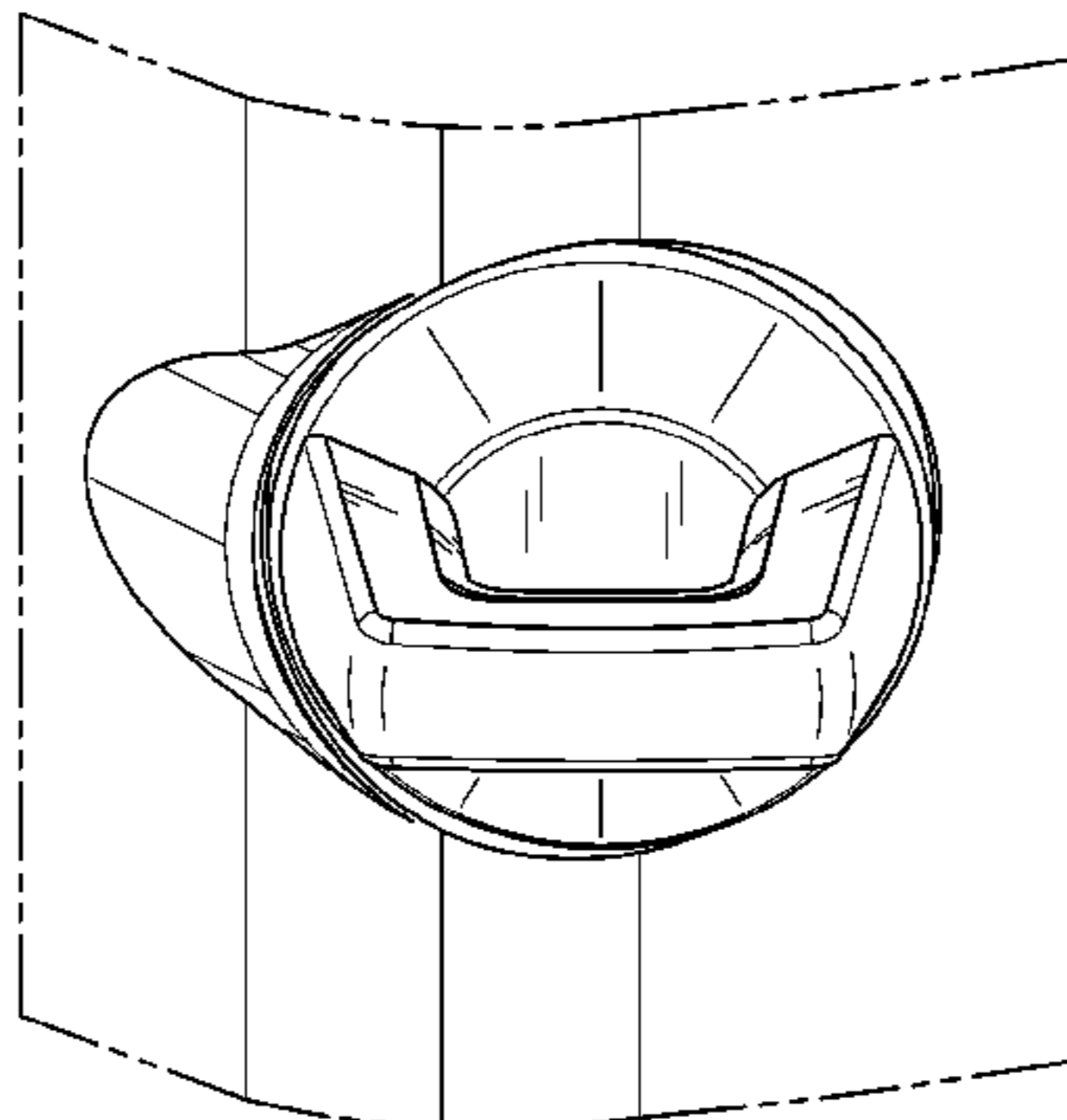


FIG. 1

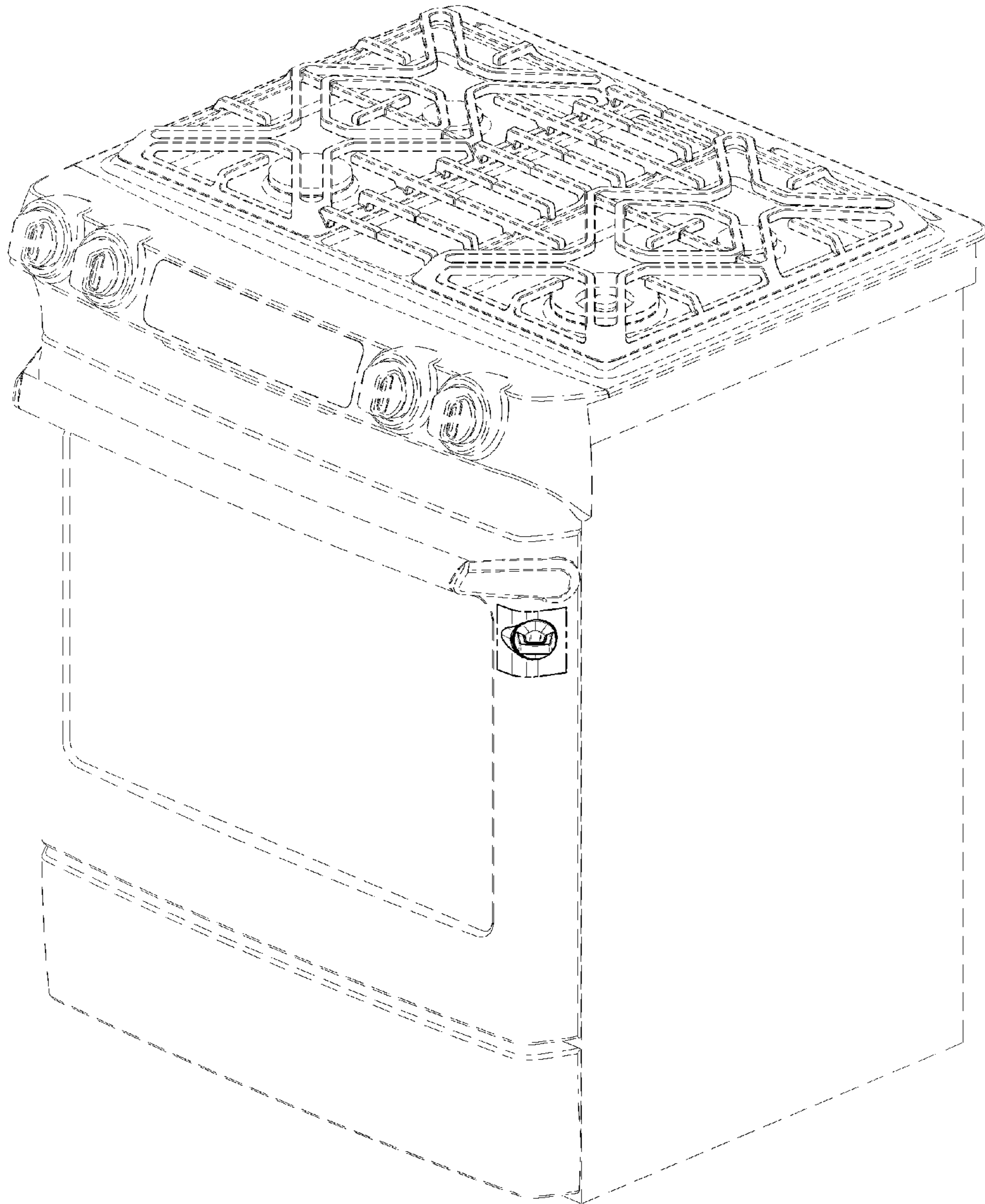


FIG. 2

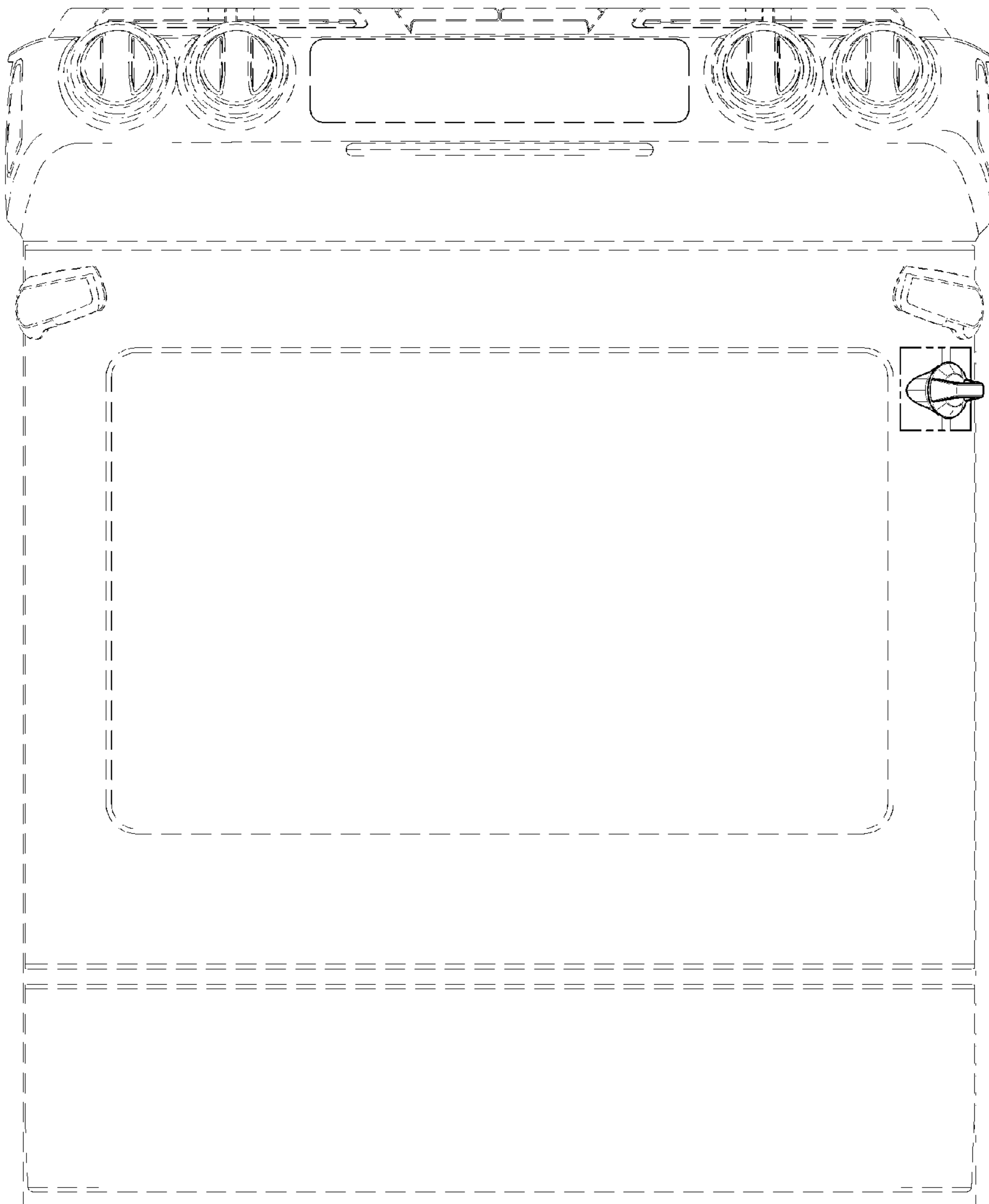


FIG. 3

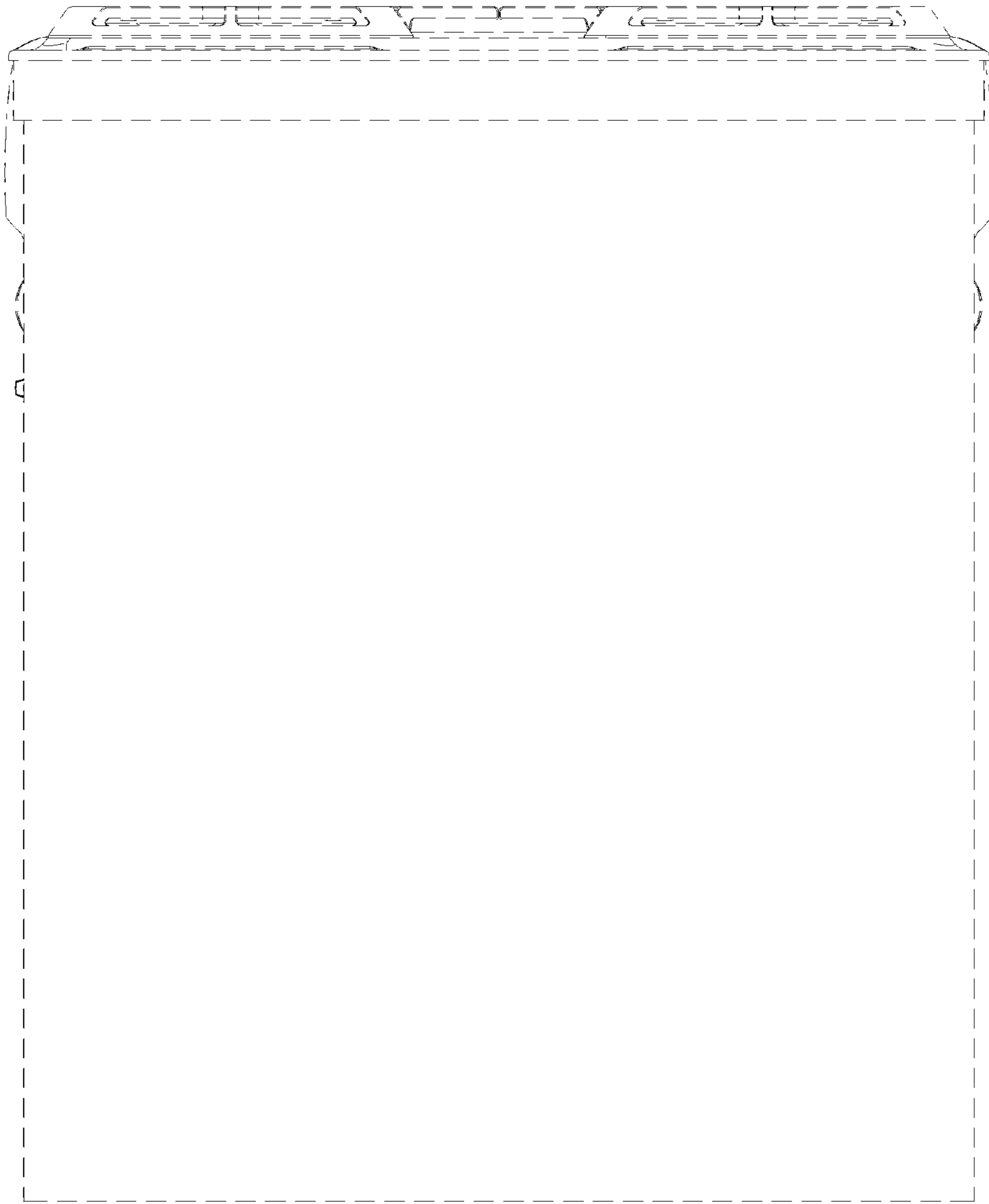


FIG. 4

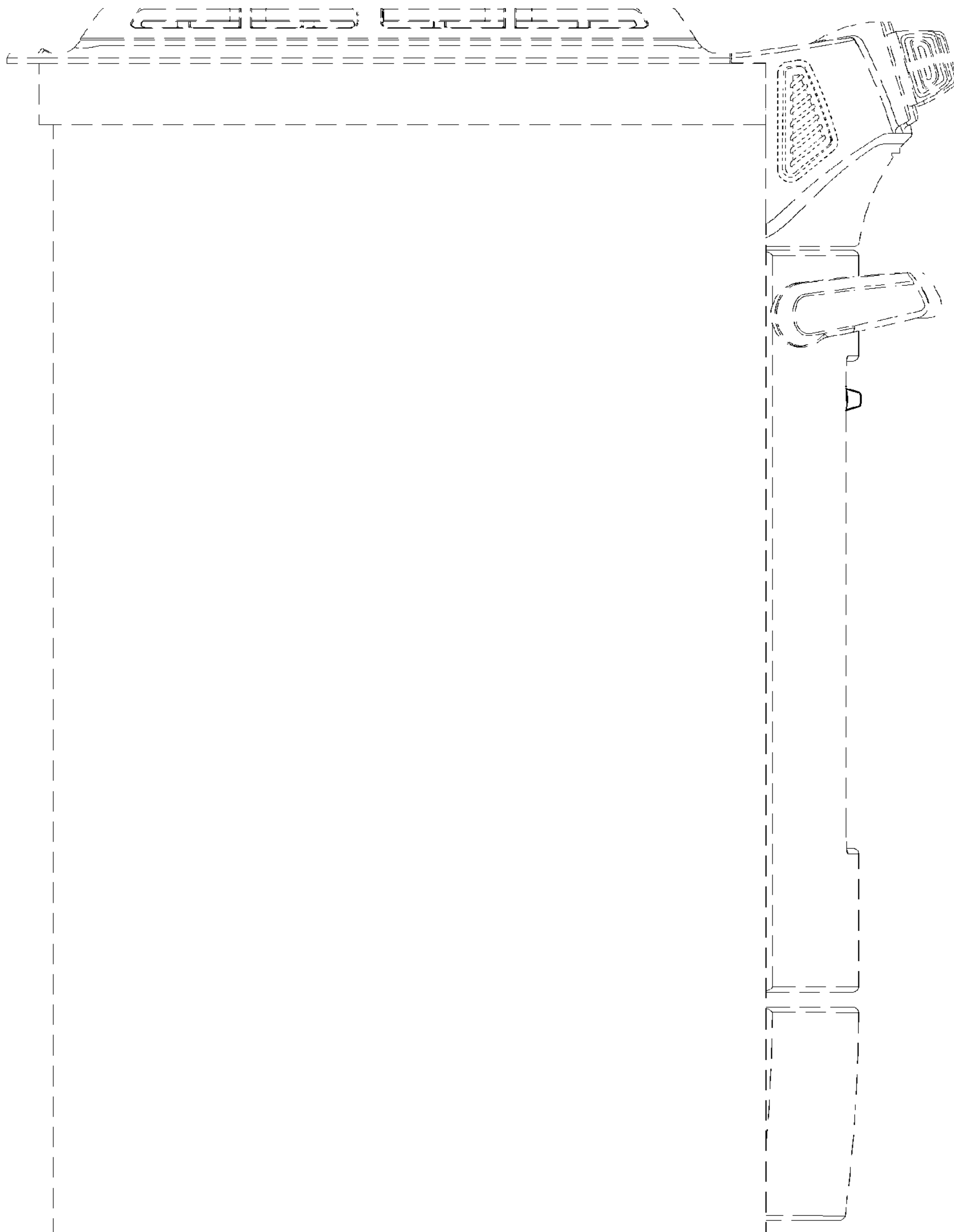


FIG. 5

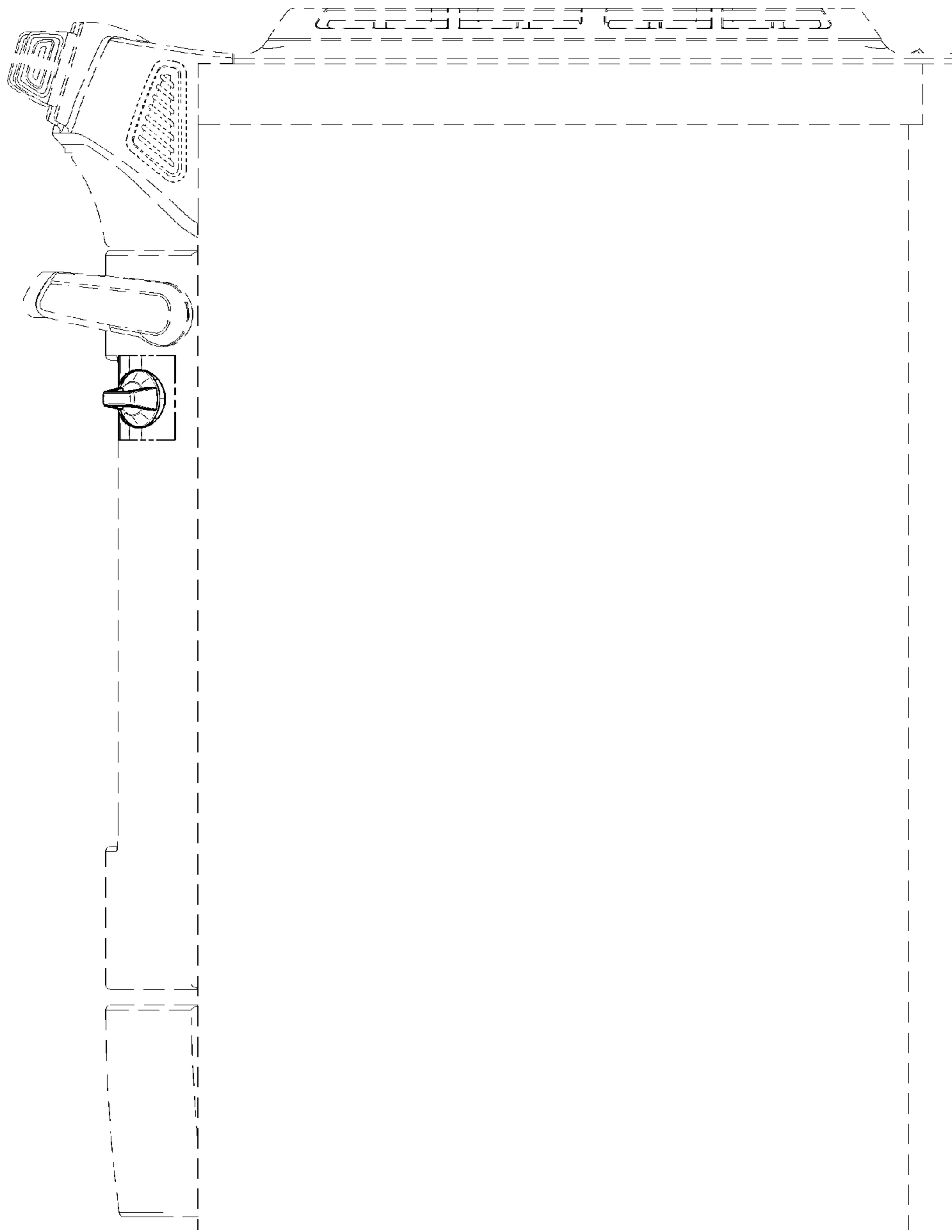


FIG. 6

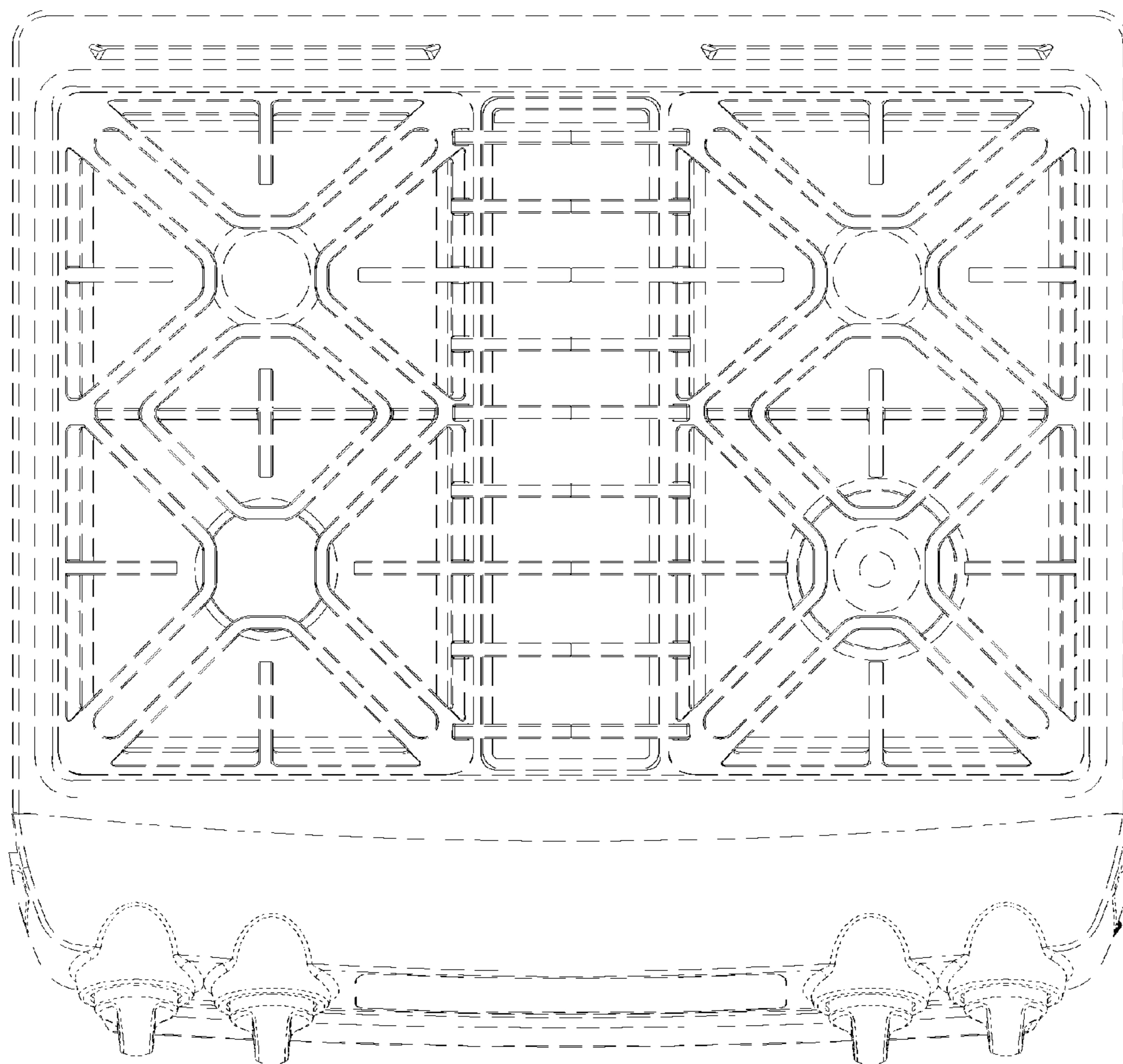


FIG. 7

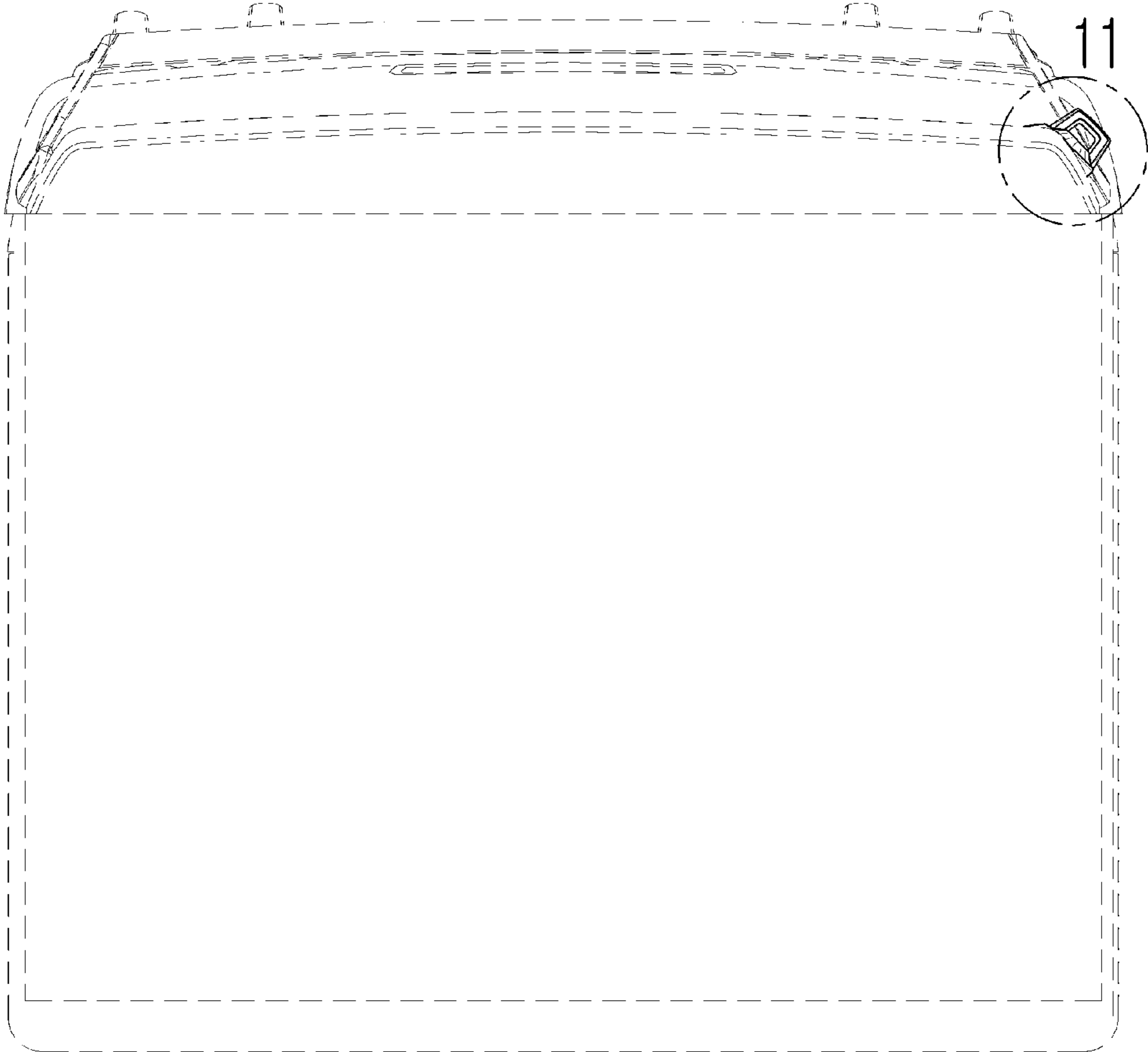


FIG. 8

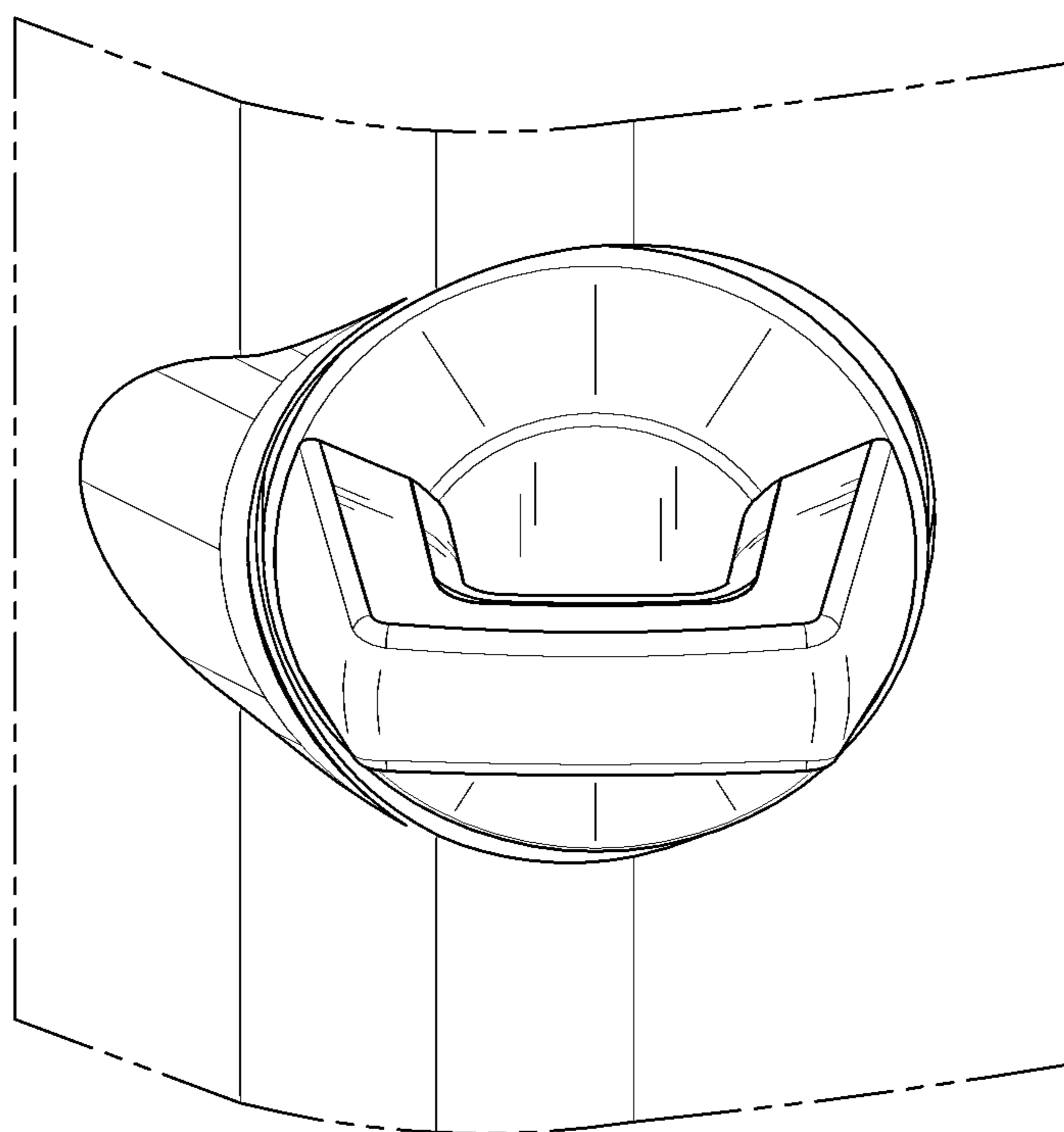


FIG. 9

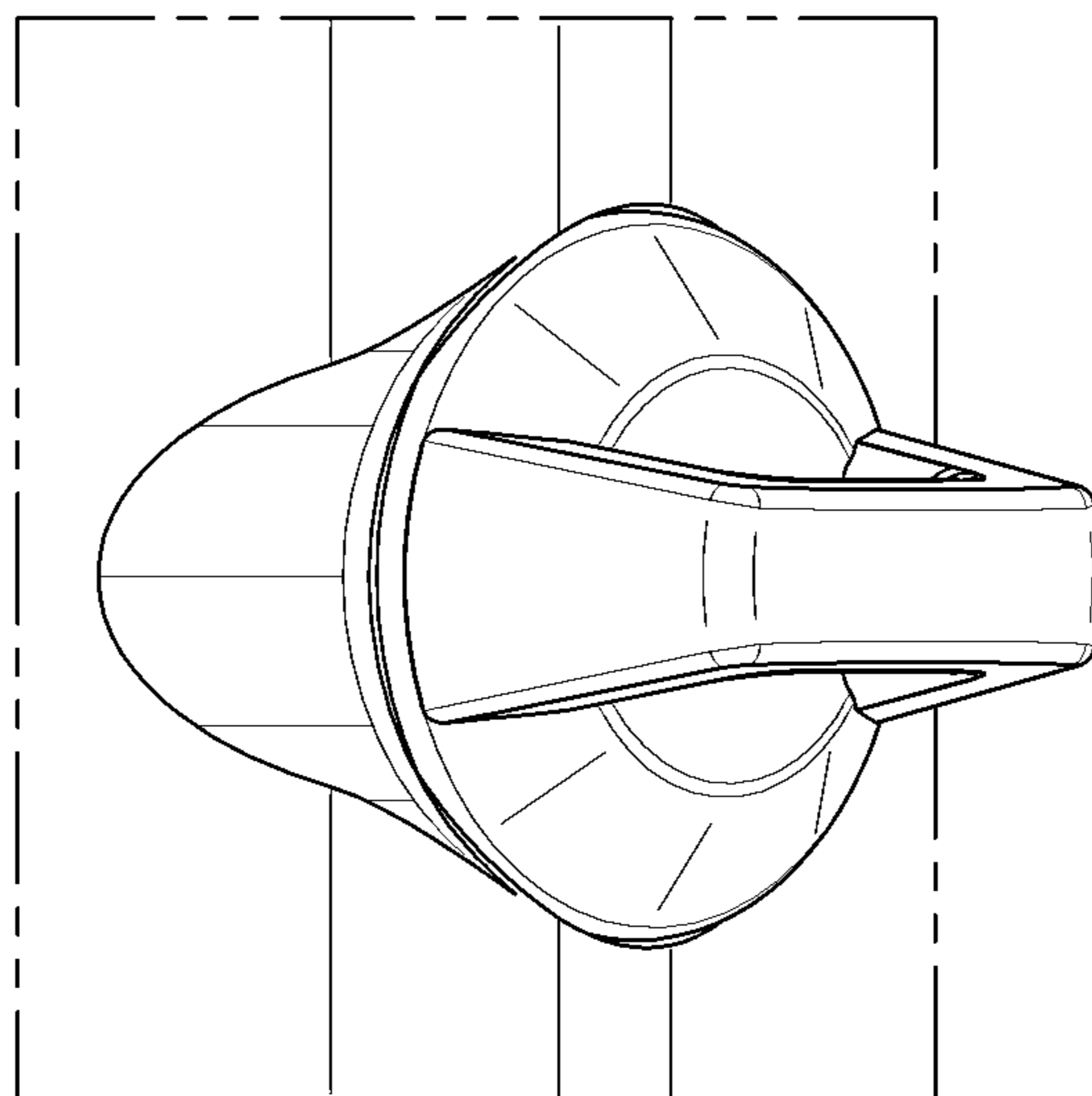


FIG. 10

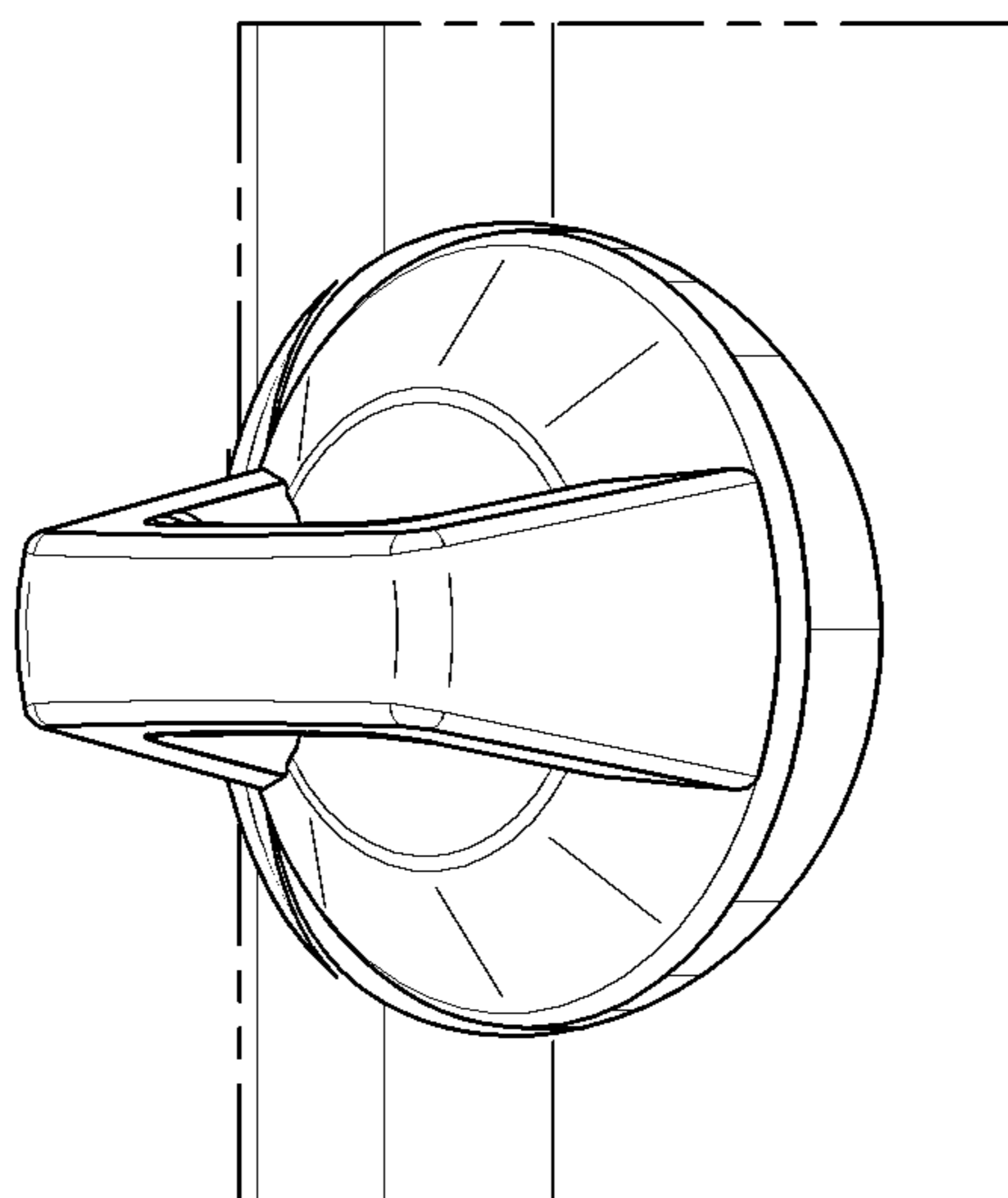


FIG. 11

