



US00D752919S

(12) **United States Design Patent**  
**Chen**

(10) **Patent No.:** **US D752,919 S**

(45) **Date of Patent:** **\*\* Apr. 5, 2016**

(54) **KNIFE HANDLE**

(71) Applicant: **Kuo-Chang Chen**, Tainan Hsien (TW)

(72) Inventor: **Kuo-Chang Chen**, Tainan Hsien (TW)

(\*\*) Term: **14 Years**

(21) Appl. No.: **29/507,587**

(22) Filed: **Oct. 29, 2014**

(51) **LOC (10) Cl.** ..... **07-03**

(52) **U.S. Cl.**  
USPC ..... **D7/401.2**; D7/649

(58) **Field of Classification Search**  
USPC ..... D7/393-395, 401.2, 642-652, 693,  
D7/695-696; D8/80, 83, 93, 97-100, 107,  
D8/300, 321; D22/117-118  
CPC ..... A01B 1/20; A01B 1/22; A22C 25/006;  
A47G 21/06; A47G 21/065; A61B 17/3211;  
A61B 17/3213; B21D 53/64; B25G 3/36;  
B26B 1/00; B26B 1/08; B26B 1/10; B26B  
3/00; B26B 3/02; B26B 3/03; B26B 3/04;  
B26B 3/06; B26B 5/00; B26B 5/001; B26B  
5/007; B26B 7/00; B26B 7/005; B26B 9/00;  
B26B 9/02; B26B 11/00; B26B 11/006;  
B26B 17/00; B26B 17/006; B26B 29/02  
See application file for complete search history.

(56) **References Cited**

**U.S. PATENT DOCUMENTS**

D169,413 S \* 4/1953 Bordelon ..... 30/340  
D303,748 S \* 10/1989 Yamagishi ..... D7/649

D515,387 S \* 2/2006 Hung ..... D8/107  
D532,275 S \* 11/2006 Lin ..... D8/107  
D551,498 S \* 9/2007 Schmidt ..... D7/395  
D552,430 S \* 10/2007 Chen ..... D7/649  
D602,748 S \* 10/2009 Schmidt ..... D7/649  
D618,981 S \* 7/2010 Gringer ..... D32/41  
D623,026 S \* 9/2010 Gerlach ..... D7/649  
D623,027 S \* 9/2010 Behar ..... D7/649  
D656,809 S \* 4/2012 Mullen ..... D8/107  
D660,097 S \* 5/2012 Chen ..... D7/401.2  
D693,201 S \* 11/2013 Sramek ..... D8/83

\* cited by examiner

*Primary Examiner* — Ricky Pham

(74) *Attorney, Agent, or Firm* — Tutunjian & Bietto, P.C.

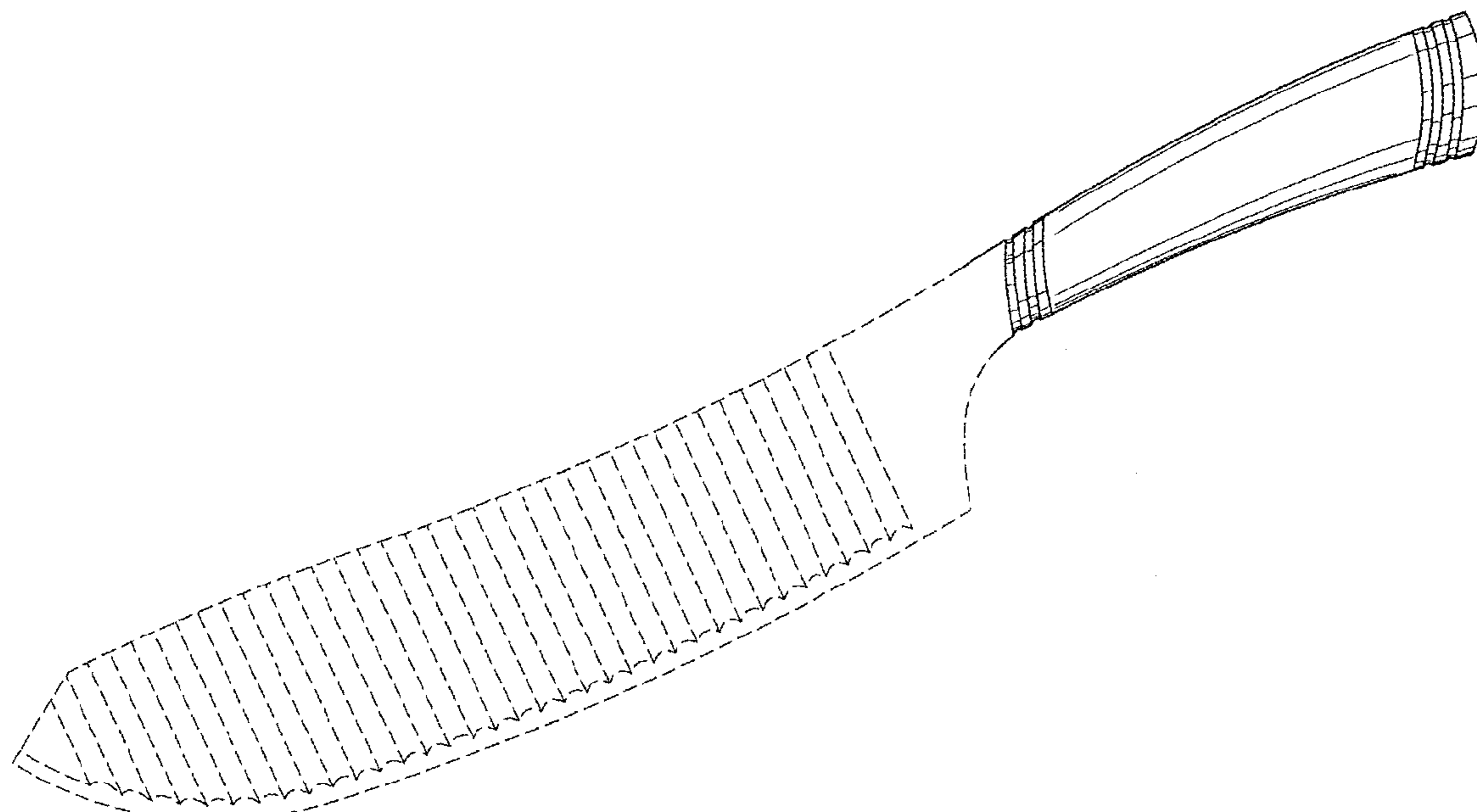
(57) **CLAIM**

The ornamental design for a knife handle, as shown and described.

**DESCRIPTION**

FIG. 1 is a perspective view of the knife handle showing my new design;  
FIG. 2 is an enlarged left side view thereof, the right side view being a mirror view of the left side;  
FIG. 3 is an enlarged top view thereof;  
FIG. 4 is an enlarged bottom view thereof;  
FIG. 5 is an enlarged front view thereof; and,  
FIG. 6 is an enlarged rear view thereof.  
The broken lines shown in the drawings are for illustrative purposes only and form no part of the claimed design.

**1 Claim, 2 Drawing Sheets**



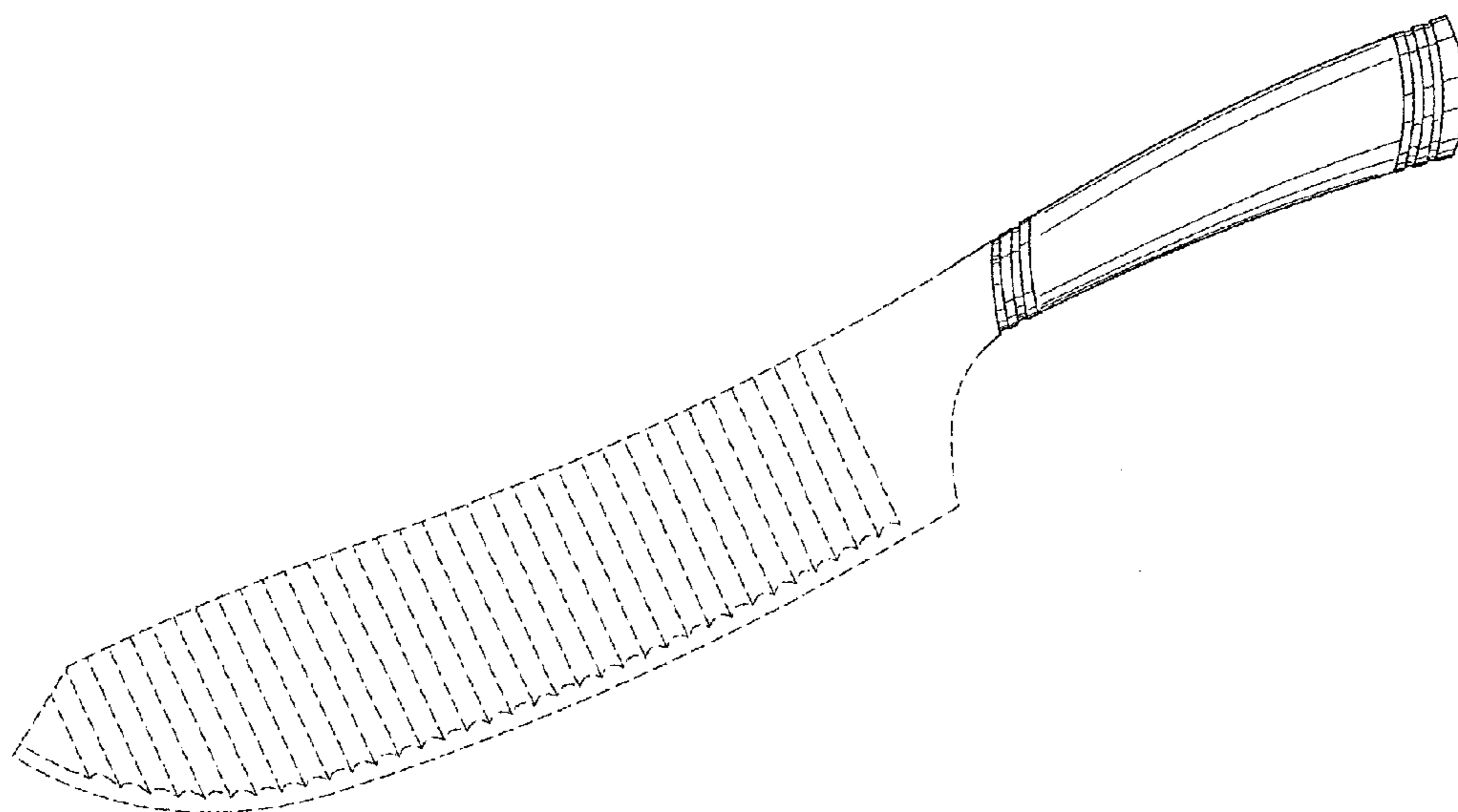


FIG. 1

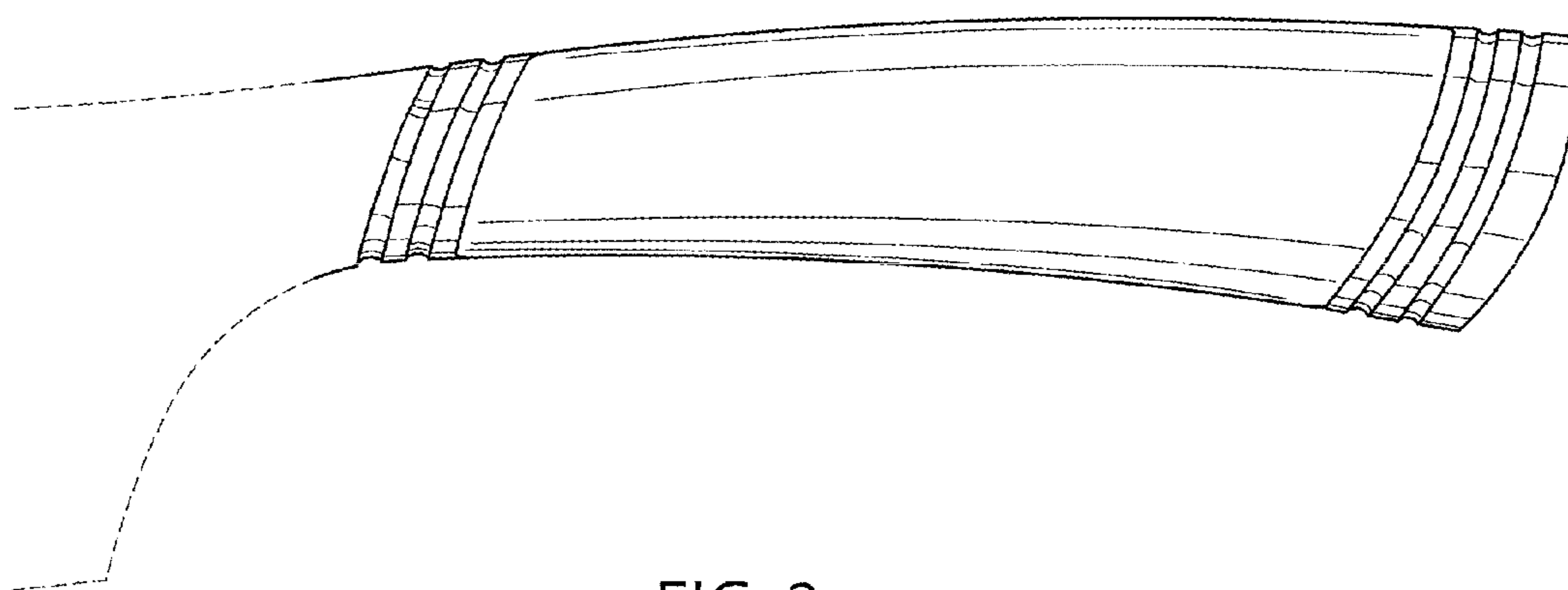


FIG. 2

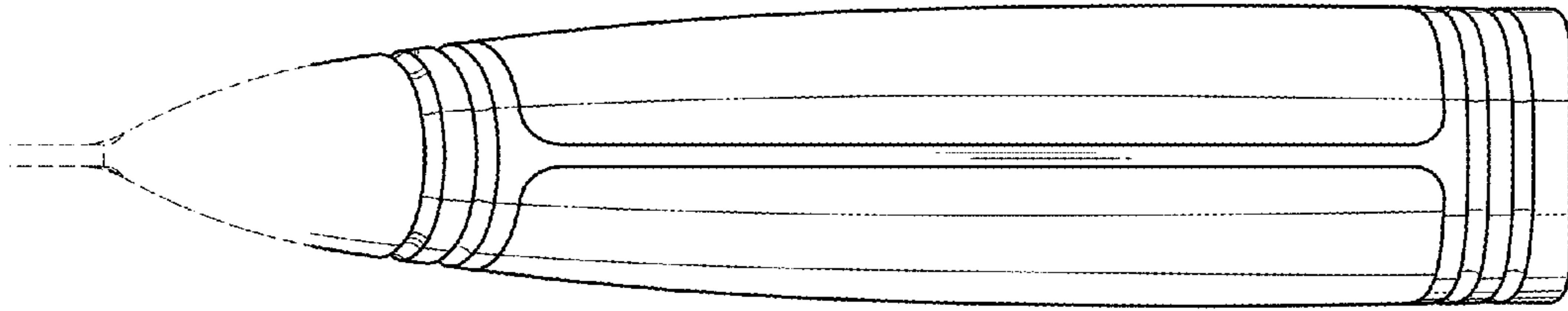


FIG. 3

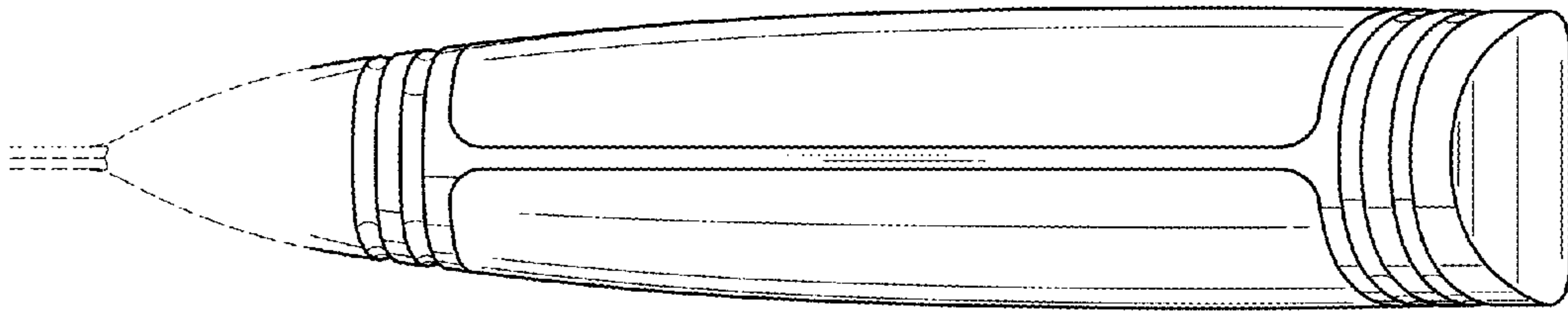


FIG. 4

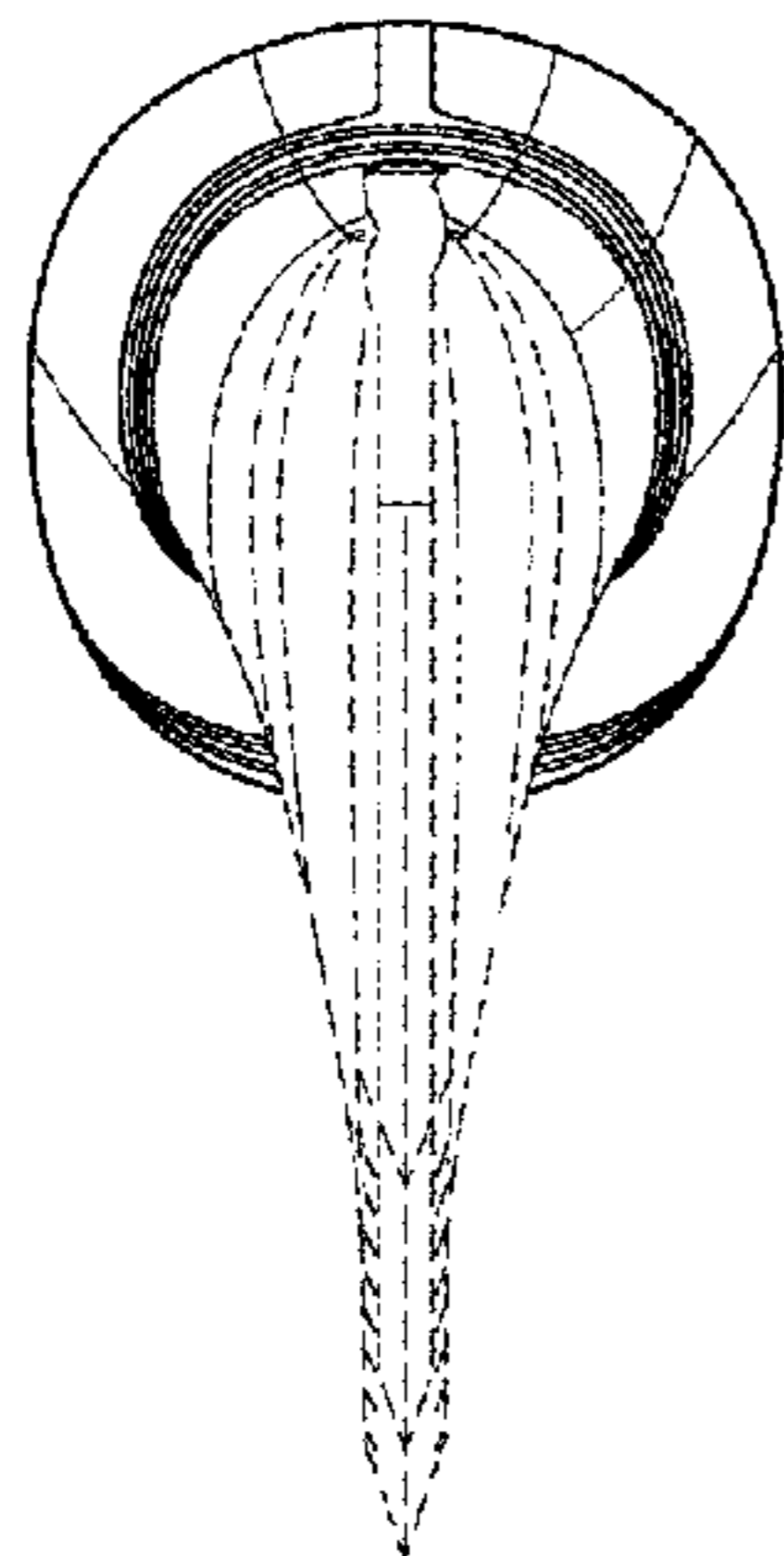


FIG. 5

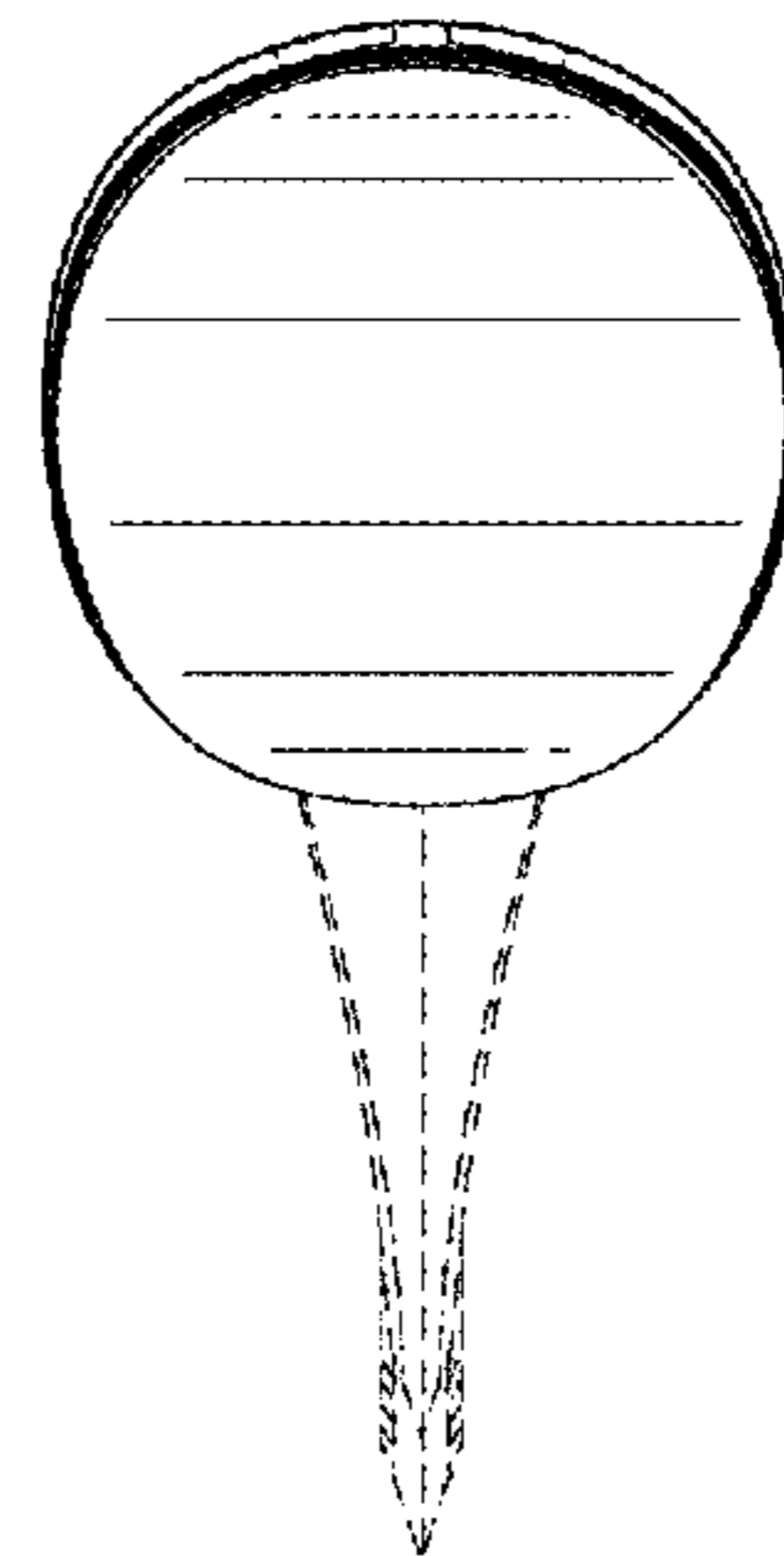


FIG. 6