



US00D752917S

(12) **United States Design Patent**
Ksiazek et al.

(10) **Patent No.:** **US D752,917 S**
(45) **Date of Patent:** **** Apr. 5, 2016**

(54) **BOTTLE CARRY LOOP**
(71) Applicant: **O2COOL, LLC**, Chicago, IL (US)
(72) Inventors: **Michael Ksiazek**, Burr Ridge, IL (US);
Lars Junker, Kowloon (CN)
(73) Assignee: **O2COOL, LLC**, Chicago, IL (US)
(**) Term: **15 Years**

8,695,830 B2 * 4/2014 Meyers B65D 51/242
215/228
D718,626 S 12/2014 Lane
D725,966 S * 4/2015 Boroski D7/511
D730,694 S * 6/2015 Elsaden D7/511
D739,174 S 9/2015 Elsaden et al.
D742,230 S * 11/2015 Charles D7/396.2
2010/0206925 A1 * 8/2010 Fielding, Jr. A45F 5/00
224/257
2014/0360908 A1 * 12/2014 Sorensen B65D 21/02285
206/501

(21) Appl. No.: **29/542,145**
(22) Filed: **Oct. 12, 2015**
(51) **LOC (10) Cl.** **07-01**
(52) **U.S. Cl.**
USPC **D7/394**; D9/443
(58) **Field of Classification Search**
USPC D7/392.1, 394, 396.2, 900; D9/434,
D9/435, 436, 438, 440, 443, 446, 447, 449,
D9/499
CPC B65D 5/46; B65D 47/26; B65D 51/42;
B65D 2543/00046
See application file for complete search history.

OTHER PUBLICATIONS

“32oz Rigid Bottle with Sipper Cap”, Cool Gear—Goes With You,
<<http://shop.coolgearinc.com/32-oz-rigid-bottle/>>.

* cited by examiner

Primary Examiner — Robert M Spear
(74) *Attorney, Agent, or Firm* — Thompson Coburn LLP

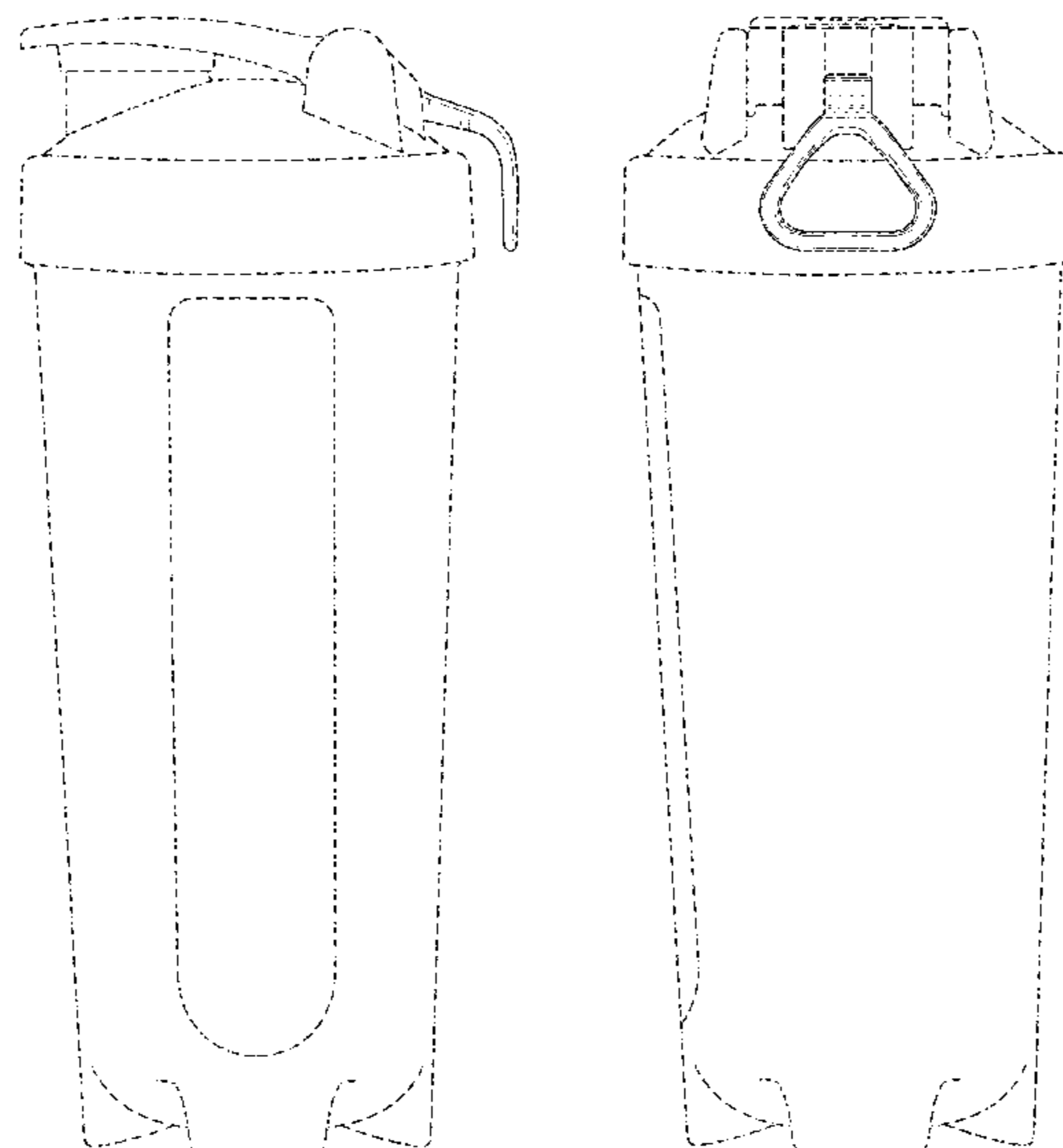
(57) **CLAIM**
The ornamental design for a bottle carry loop, as shown and described.

DESCRIPTION

FIG. 1 is a front elevational view of a bottle carry loop showing our new design;
FIG. 2 is a rear elevational view thereof;
FIG. 3 is a right side elevational view thereof;
FIG. 4 is a top plan view thereof;
FIG. 5 is a bottom plan view thereof;
FIG. 6 is a front perspective view thereof; and,
FIG. 7 is a rear perspective view thereof.
The broken lines immediately adjacent the shaded areas represent the bounds of the claimed design while all other broken lines are directed to environment and are for illustrative purposes only; the broken lines form no part of the claimed design.

(56) **References Cited**
U.S. PATENT DOCUMENTS
D329,803 S * 9/1992 Otsuka D9/503
D474,967 S * 5/2003 Kaneko D9/438
D608,204 S * 1/2010 Caroen D9/443
D626,837 S 11/2010 Meyers et al.
D660,081 S * 5/2012 Gilbert D7/396.2
D675,527 S * 2/2013 Rogers D9/443
D675,865 S * 2/2013 Wahl D7/392.1
D679,541 S 4/2013 Samartgis
8,464,895 B2 * 6/2013 Gilbert A47G 19/2272
215/307
D686,870 S * 7/2013 Young D7/392.1
D696,551 S 12/2013 Meyers et al.
D696,900 S * 1/2014 George D7/392.1

1 Claim, 7 Drawing Sheets



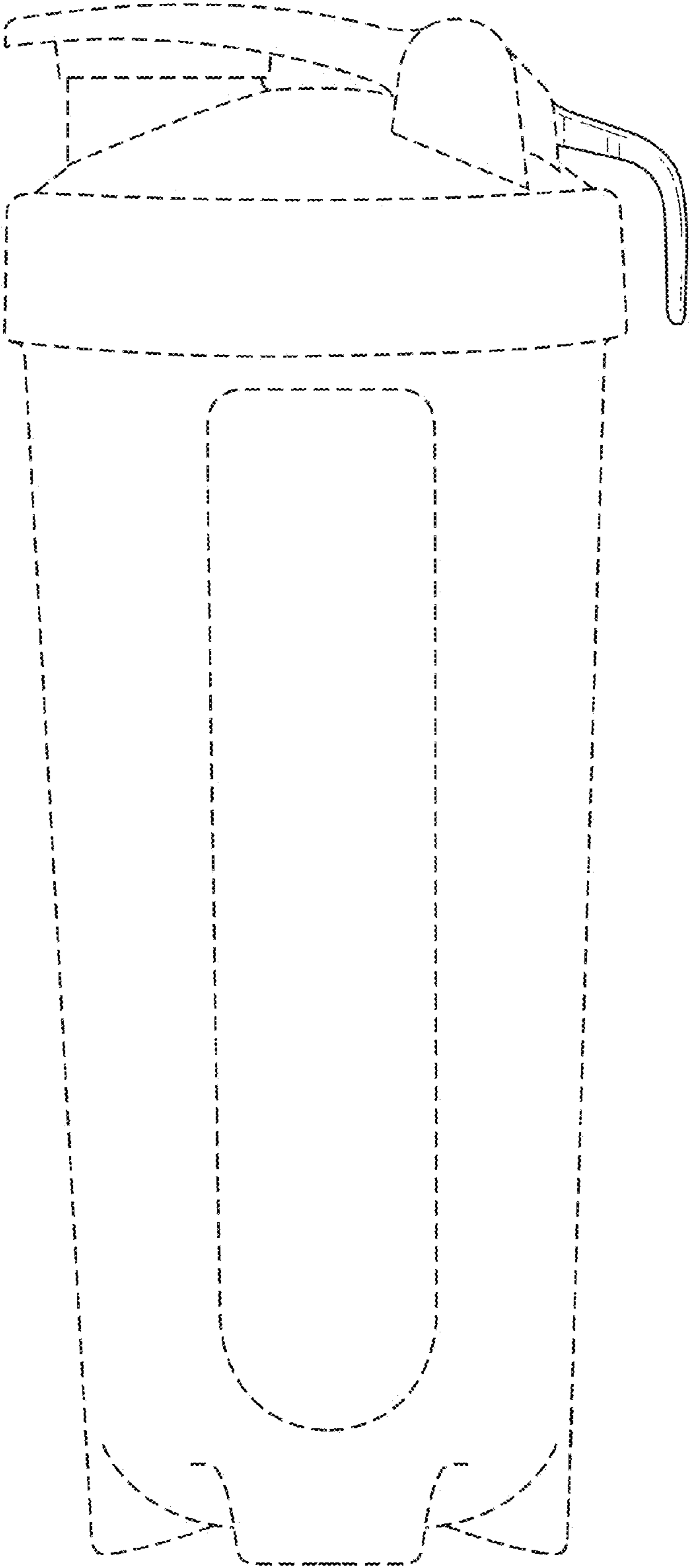


FIG. 1

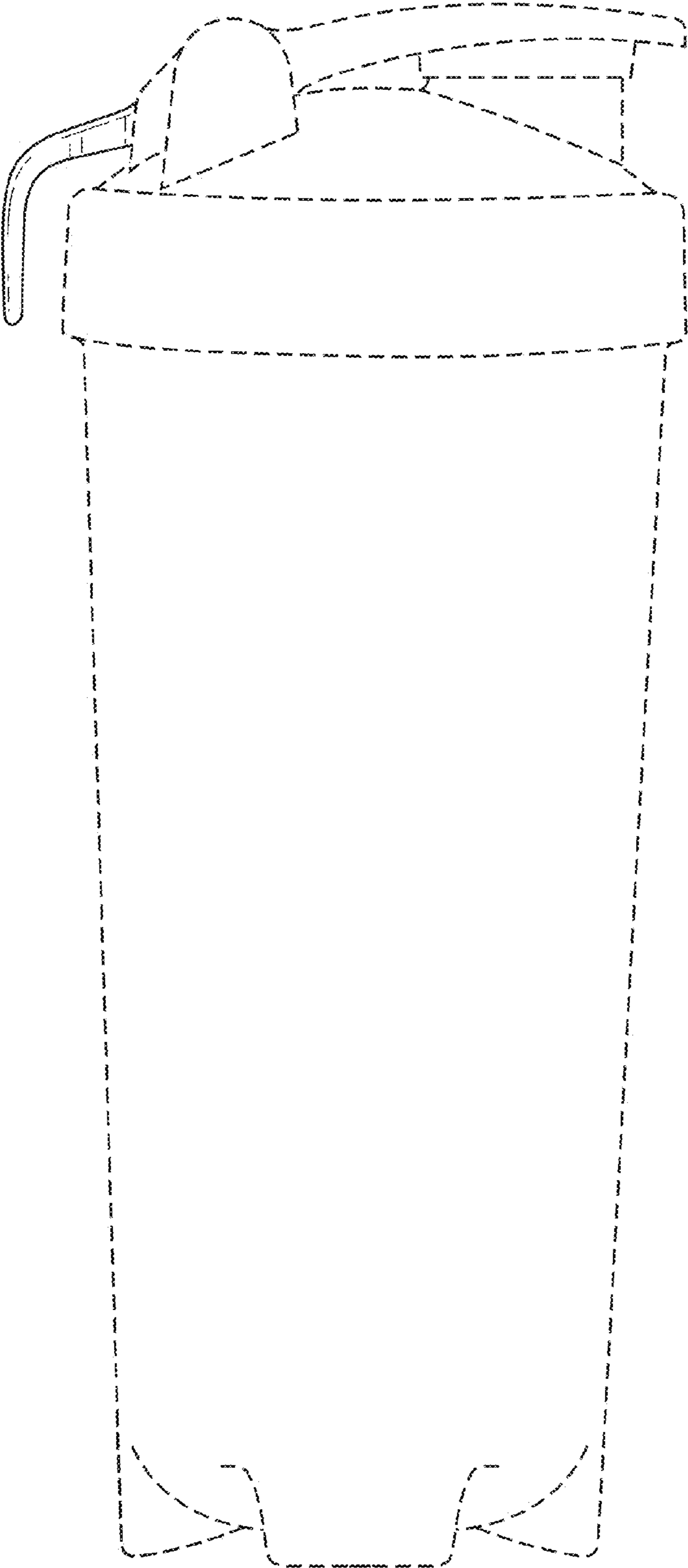


FIG. 2

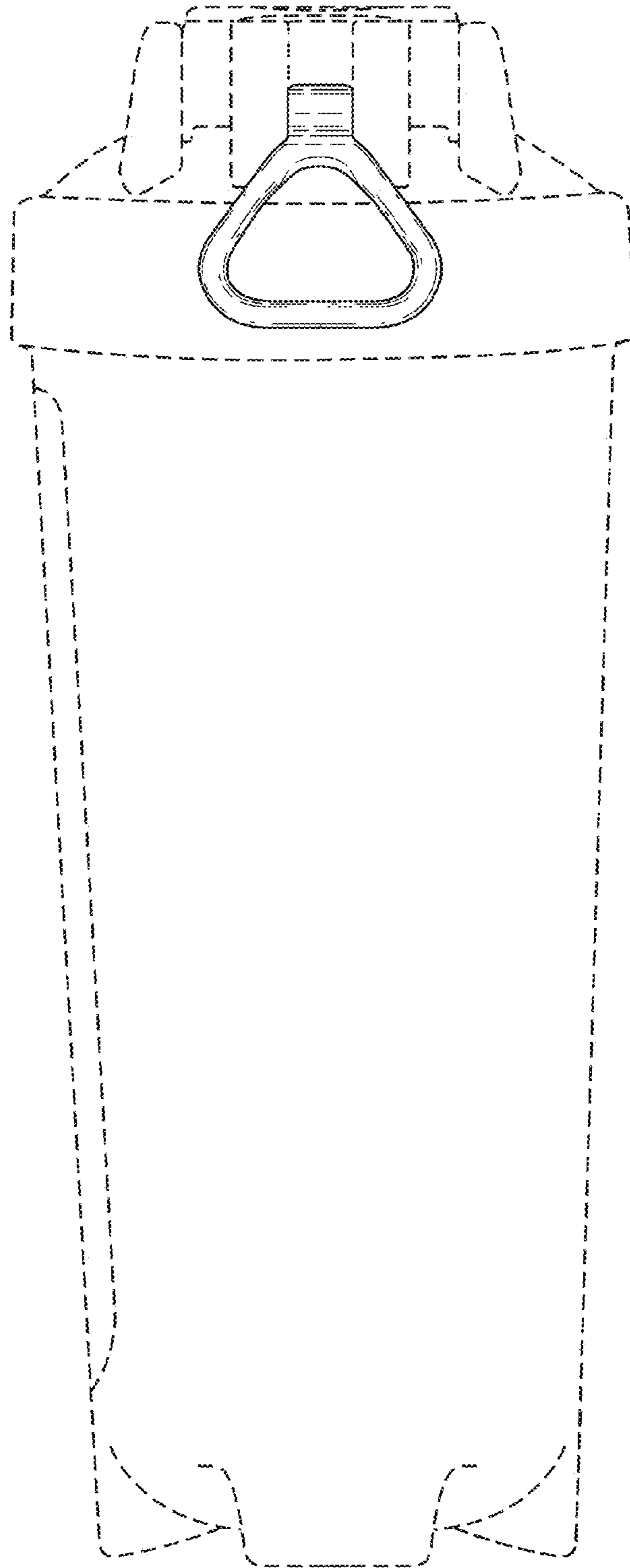


FIG. 3

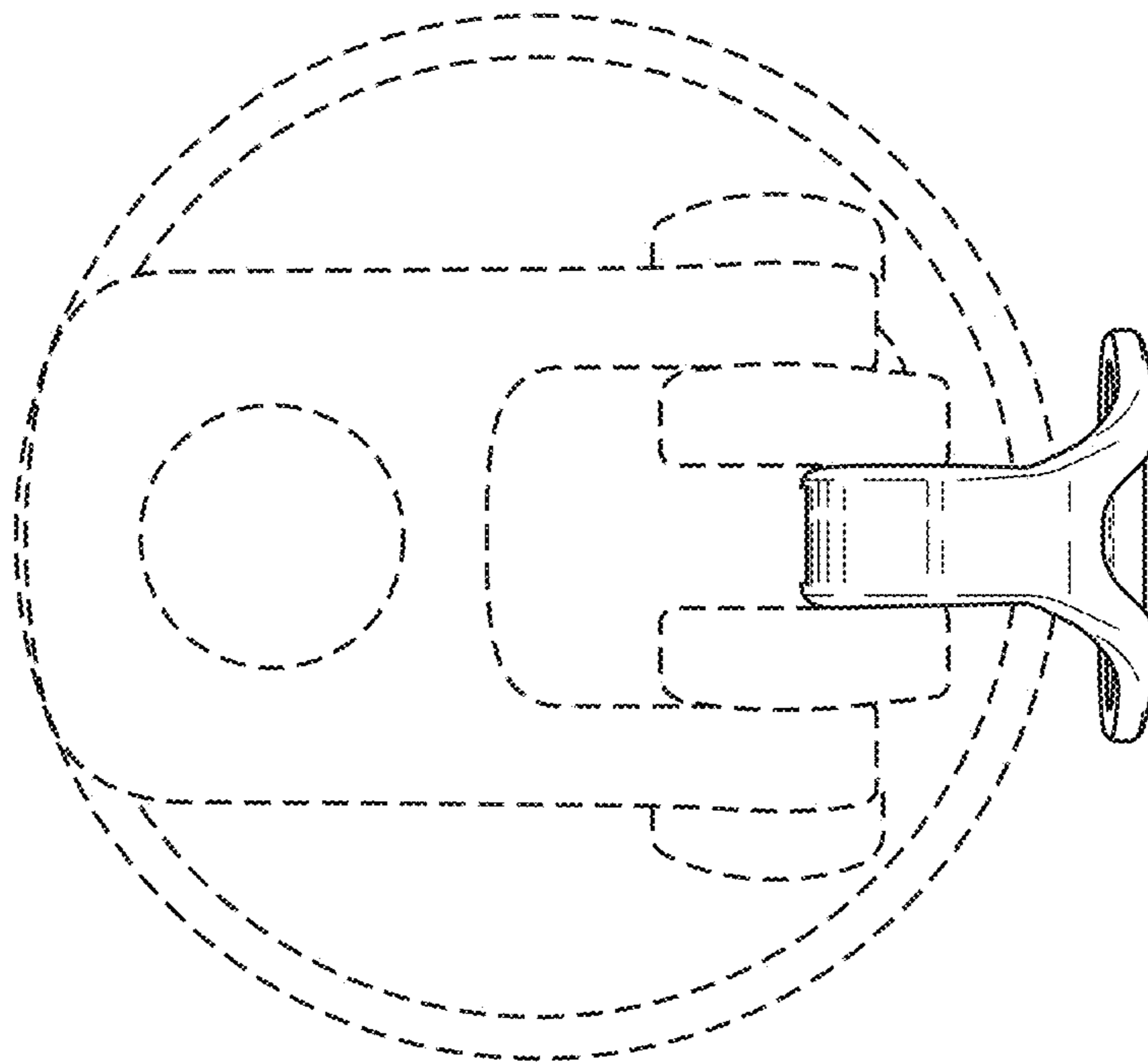


FIG. 4

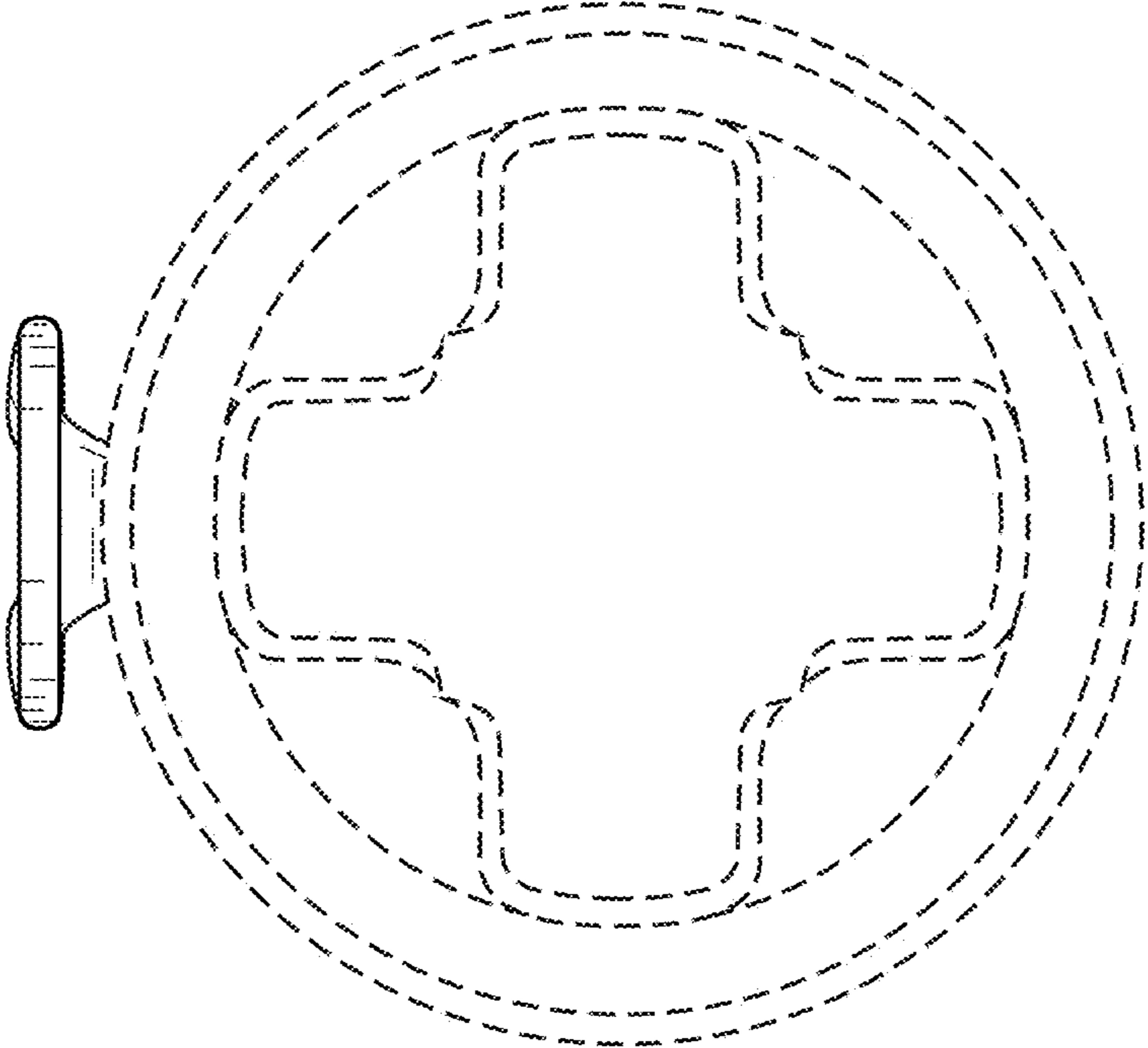


FIG. 5

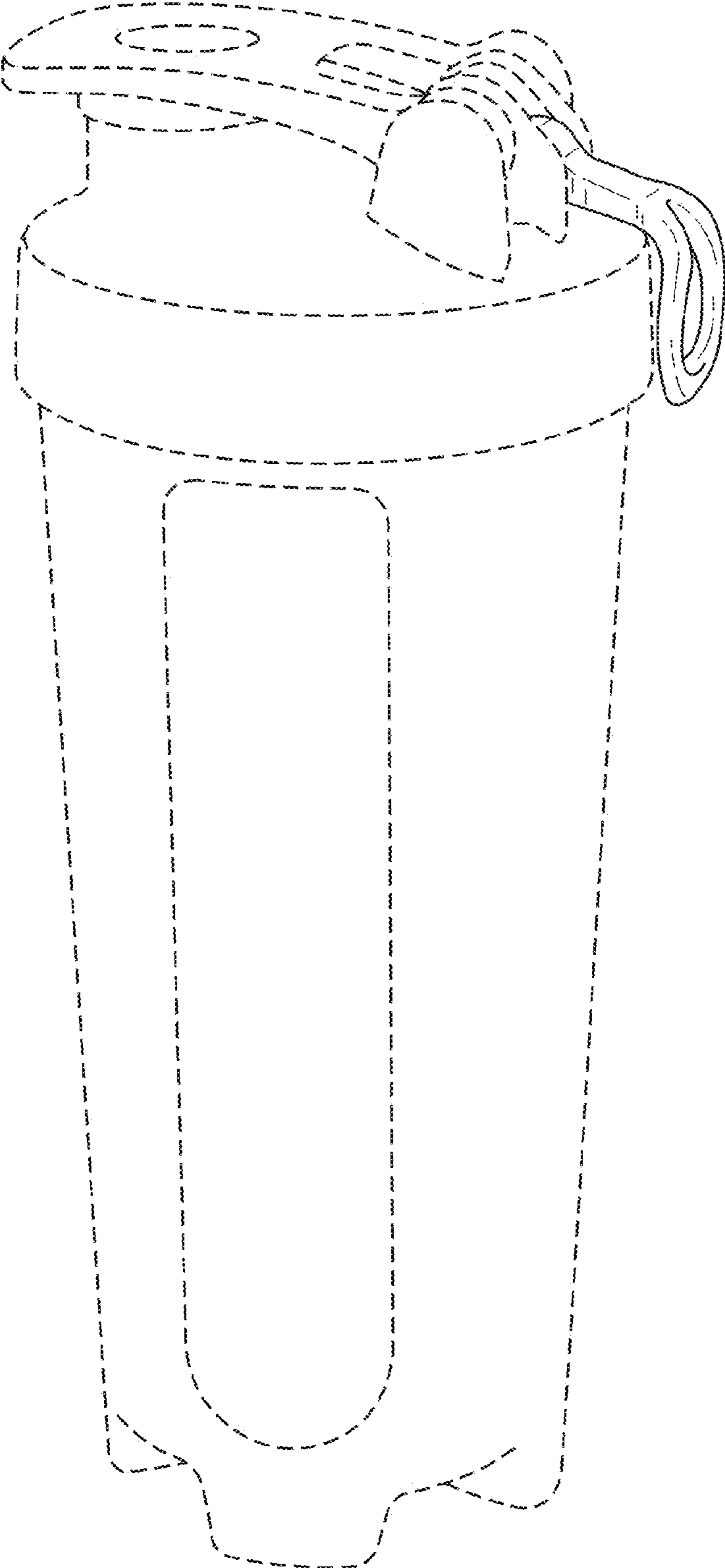


FIG. 6

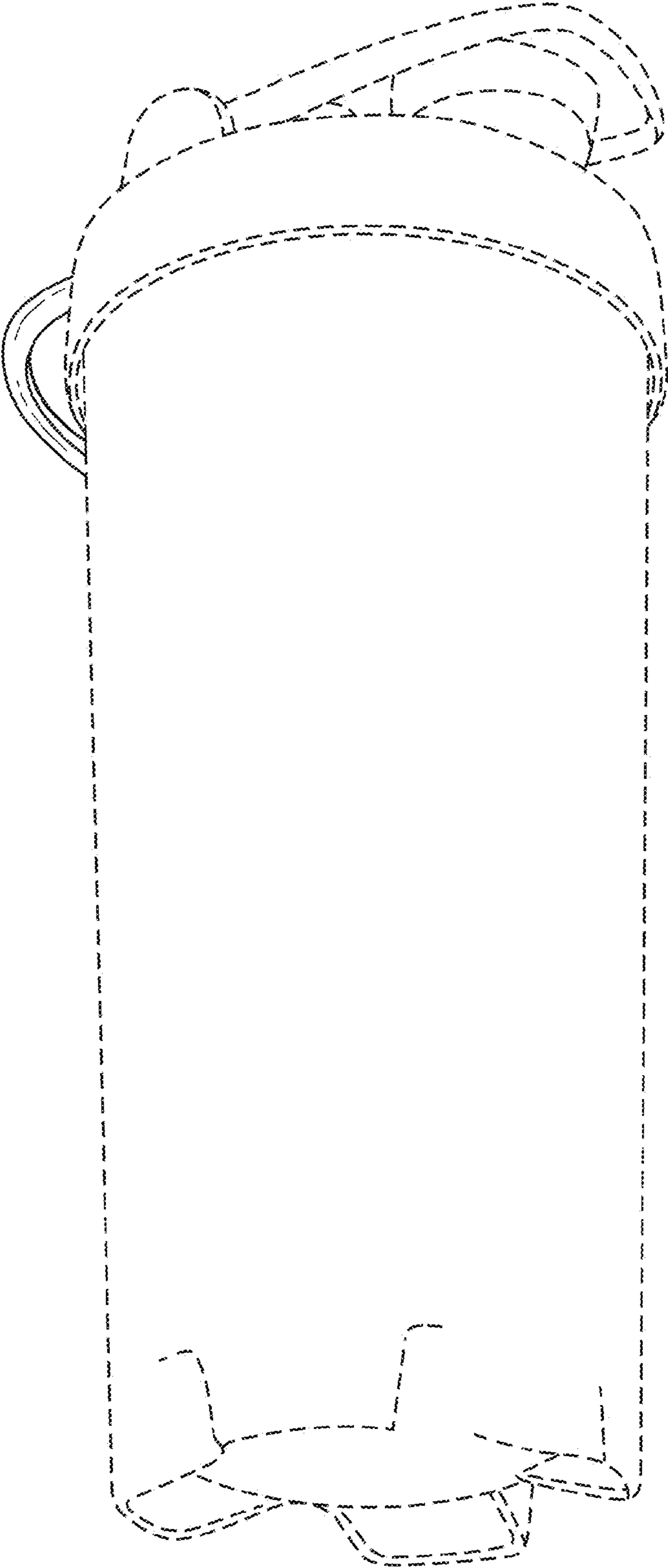


FIG. 7