

US00D752916S

(12) **United States Design Patent**  
**Goodwin et al.**

(10) **Patent No.:** **US D752,916 S**  
(45) **Date of Patent:** **\*\* Apr. 5, 2016**

(54) **SPORTS BOTTLE CAP**  
(71) Applicant: **Steel Technology, LLC**, Bend, OR (US)  
(72) Inventors: **Brian George Goodwin**, Bend, OR (US); **Timothy Dryden Gorbald**, Bend, OR (US); **Benjamin Robert Hein**, Bend, OR (US)

D688,912 S 9/2013 Rosbach  
D693,170 S 11/2013 Rosbach  
D704,986 S 5/2014 Manies  
D715,146 S \* 10/2014 Holmes ..... D9/447  
D719,780 S \* 12/2014 Sullivan ..... D7/392.1  
D724,895 S \* 3/2015 Kawase ..... D7/510  
D736,562 S \* 8/2015 Green ..... D7/510  
D736,622 S \* 8/2015 Nishijima ..... D9/447  
2008/0078200 A1 \* 4/2008 Roth ..... A47J 36/2416  
62/457.4

(73) Assignee: **Steel Techbnoogy, LLC**, Bend, OR (US)

(\*\*) Term: **14 Years**

(21) Appl. No.: **29/513,509**

(22) Filed: **Dec. 31, 2014**

(51) **LOC (10) Cl.** ..... **07-01**

(52) **U.S. Cl.**  
USPC ..... **D7/392.1; D7/396.2**

(58) **Field of Classification Search**  
USPC ..... D7/319, 391, 392, 392.1, 393, 396.2, D7/397, 398, 509, 510, 511; D9/435, 436, D9/440, 447, 450, 503, 504, 516, 761; 215/41, 224, 329, 386, 387, 388, 392, 215/396; 220/254.8, 700, 703, 705, 710, 220/711, 715; 222/465.1, 475.1  
CPC ..... A47G 19/2272  
See application file for complete search history.

(56) **References Cited**

**U.S. PATENT DOCUMENTS**

D497,283 S \* 10/2004 Groombridge ..... D7/306  
D614,440 S \* 4/2010 Cresswell ..... D7/392.1  
D652,256 S \* 1/2012 Eyal ..... D7/510  
D654,793 S \* 2/2012 Rosbach ..... D9/436  
D660,487 S \* 5/2012 Wu ..... D26/38  
D669,354 S \* 10/2012 Davis ..... D9/454  
D679,541 S \* 4/2013 Samartgis ..... D7/392.1  
D680,805 S 4/2013 Rosbach

**OTHER PUBLICATIONS**

“CamelBak eddy Insulated .6L Black”. Found online Aug. 26, 2015 at amazon.com. Page dated Apr. 11, 2012. Retrieved from [http://www.amazon.com/CamelBak-eddy-Insulated-6L-Black/dp/B006ZT9E1Q/ref=cm\\_cr\\_pr\\_product\\_top?ie=UTF8](http://www.amazon.com/CamelBak-eddy-Insulated-6L-Black/dp/B006ZT9E1Q/ref=cm_cr_pr_product_top?ie=UTF8).\*

(Continued)

*Primary Examiner* — Robert M Spear

*Assistant Examiner* — Kendra L Hamilton

(74) *Attorney, Agent, or Firm* — Kolisch Hartwell, P.C.

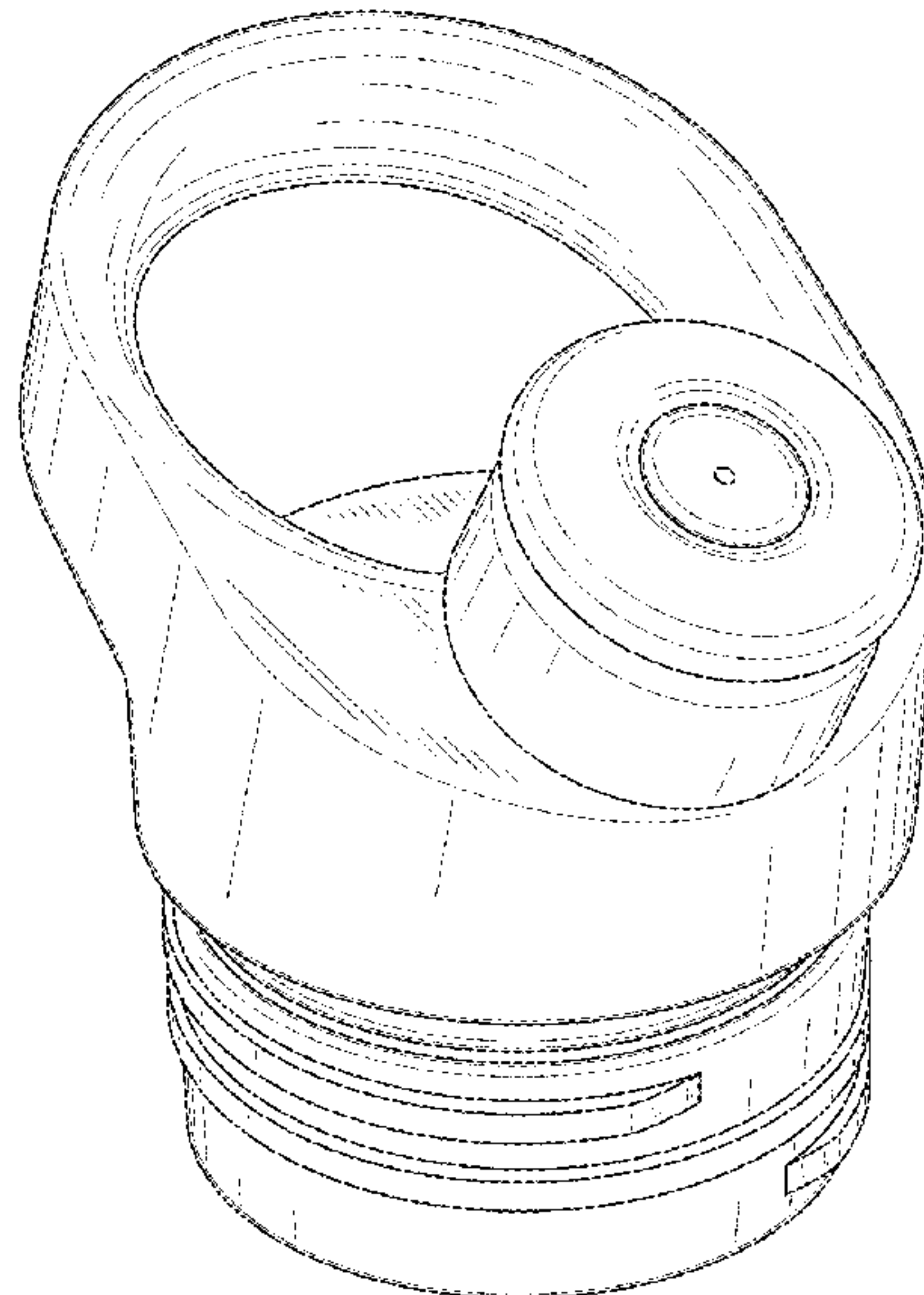
(57) **CLAIM**

What is claimed is the ornamental design for a sports bottle cap, as shown and described.

**DESCRIPTION**

FIG. 1 is an upper, front, and right side perspective view of a sports bottle cap showing our new design;  
FIG. 2 is a lower, rear, and left side perspective view thereof;  
FIG. 3 is a right side view thereof;  
FIG. 4 is a front view thereof;  
FIG. 5 is a left side view thereof;  
FIG. 6 is a rear view thereof;  
FIG. 7 is a top view thereof; and,  
FIG. 8 is a bottom view thereof.  
Elements of the sports bottle cap depicted using broken lines are intended to illustrate the environment of the claimed design and form no part of the claimed design.

**1 Claim, 8 Drawing Sheets**



(56)

**References Cited**

OTHER PUBLICATIONS

“Groova Stainless .6L Water Bottle”. Found online Aug. 26, 2015 at shop.camelbak.com. Page dated Nov. 21, 2011. Retrieved from <http://shop.camelbak.com/groove-stainless-6l/d/1206>.\*

“Klean Kanteen: The Eco-Friendly Personal Hydration Bottle”. Found online at earthtimes.org. Page dated Jun. 5, 2011. Retrieved

from <http://www.earthtimes.org/green-blogs/green-living/klean-kanteen-the-eco-friendly-personal-hydration-bottle-05-Jun-11/>.\*

“New Wave Enviro Stainless Steel Water Bottle”. Found online Aug. 26, 2015 at amazon.com. Page dated Jan. 9, 2006. Retrieved from [http://www.amazon.com/New-Wave-Enviro-Liter-Blue/dp/B001LNUE4W/ref=cm\\_cr\\_pr\\_product\\_top?ie=UTF8](http://www.amazon.com/New-Wave-Enviro-Liter-Blue/dp/B001LNUE4W/ref=cm_cr_pr_product_top?ie=UTF8).\*

\* cited by examiner

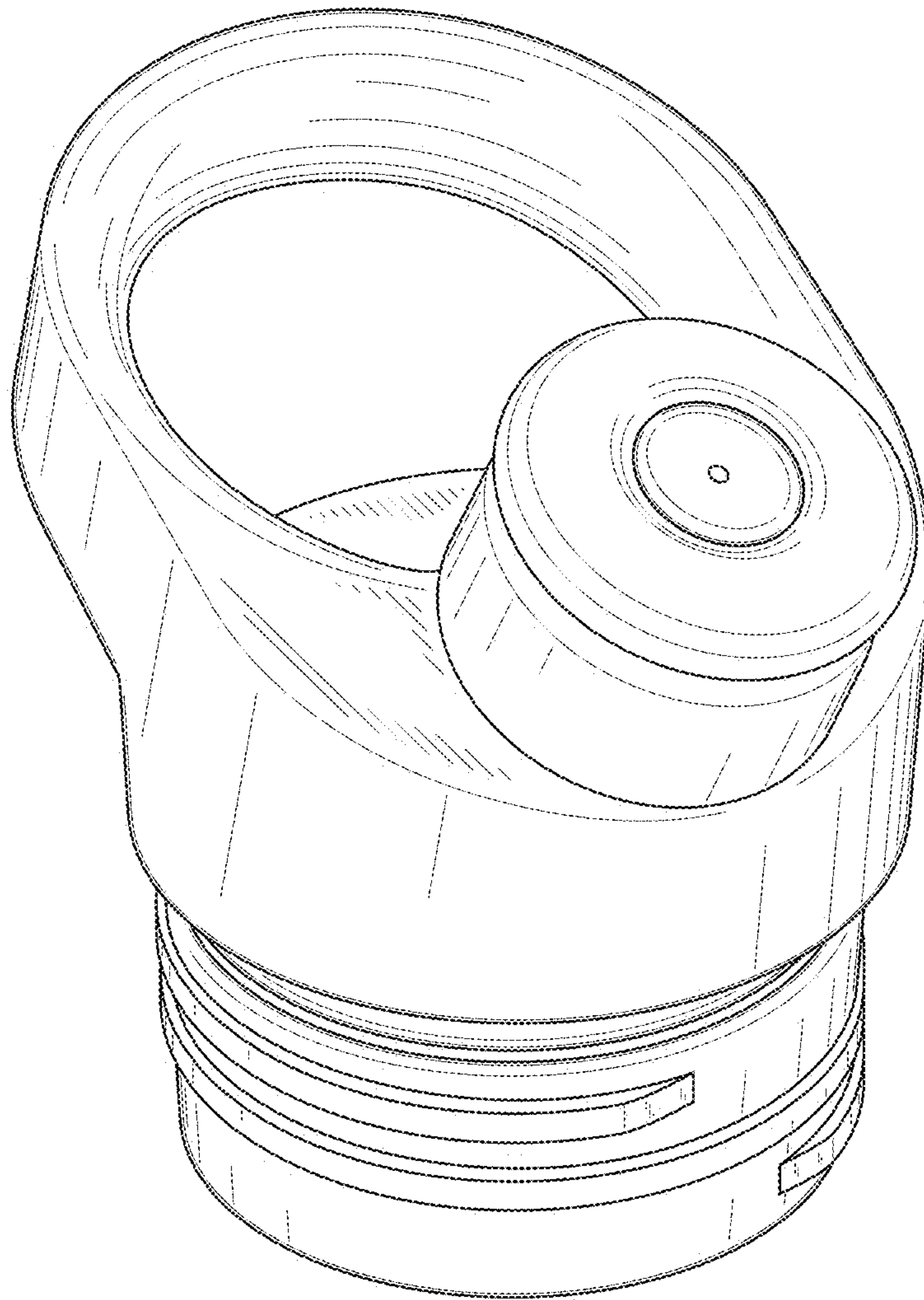


FIG. 1

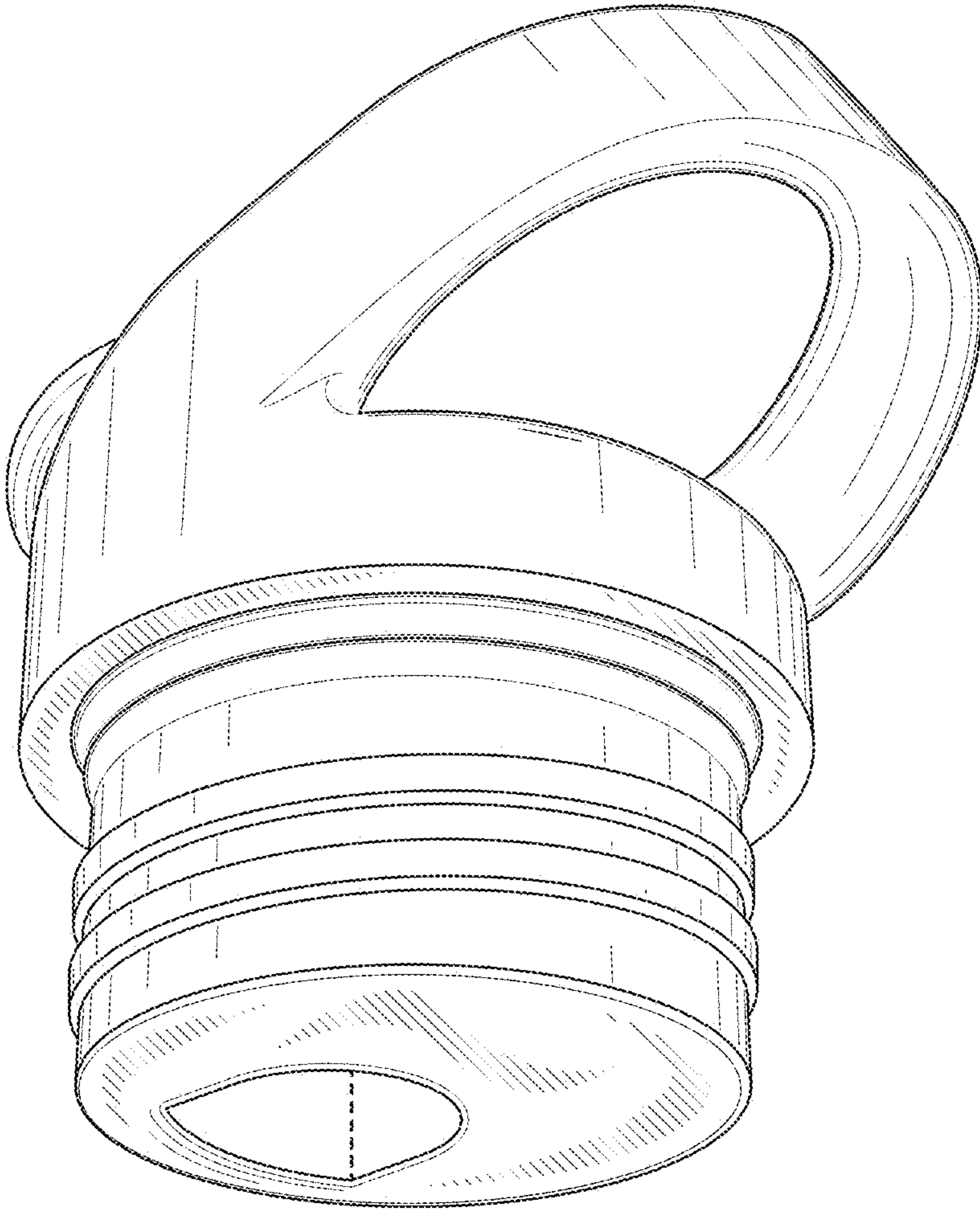


FIG. 2



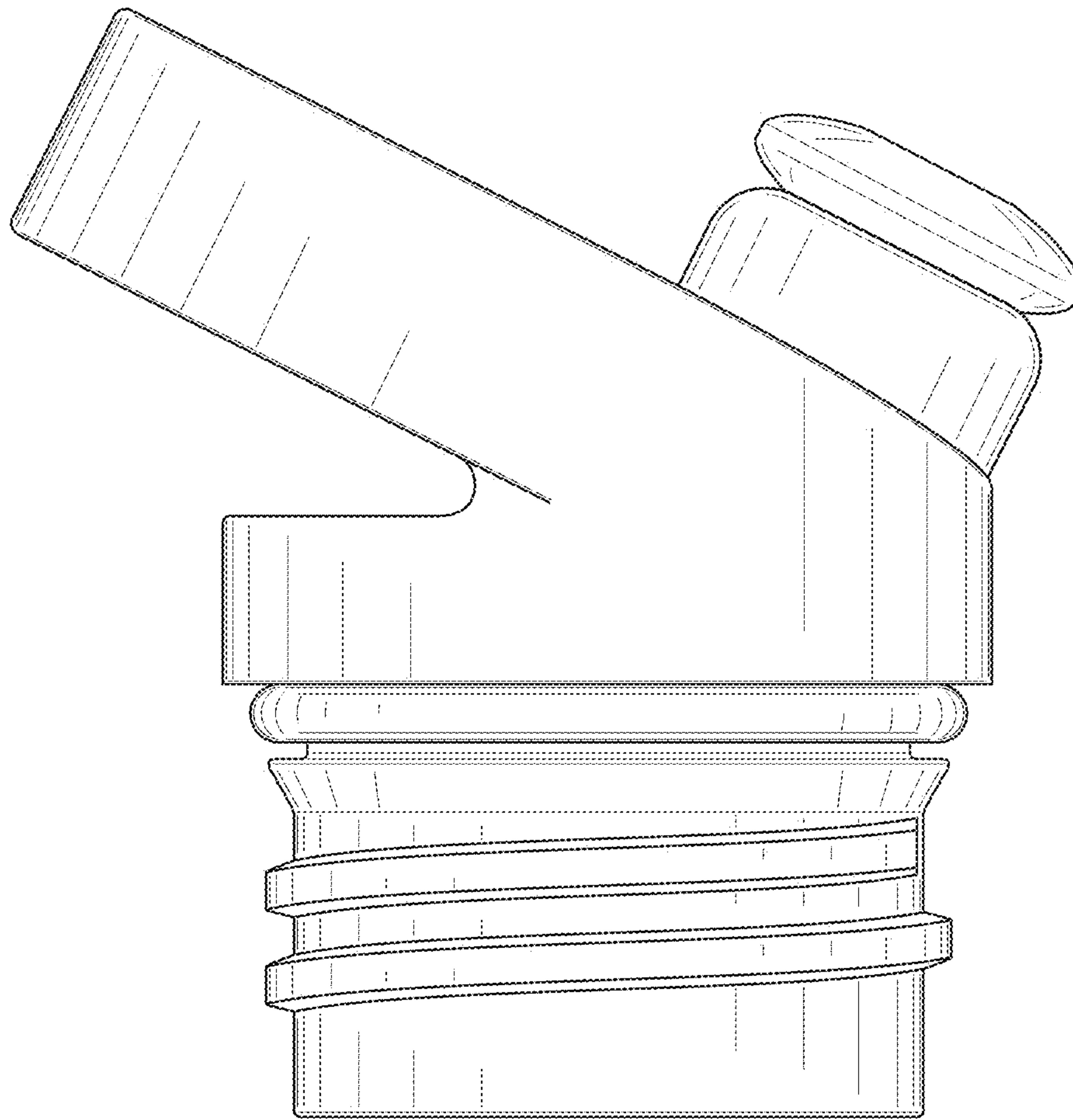


FIG. 3

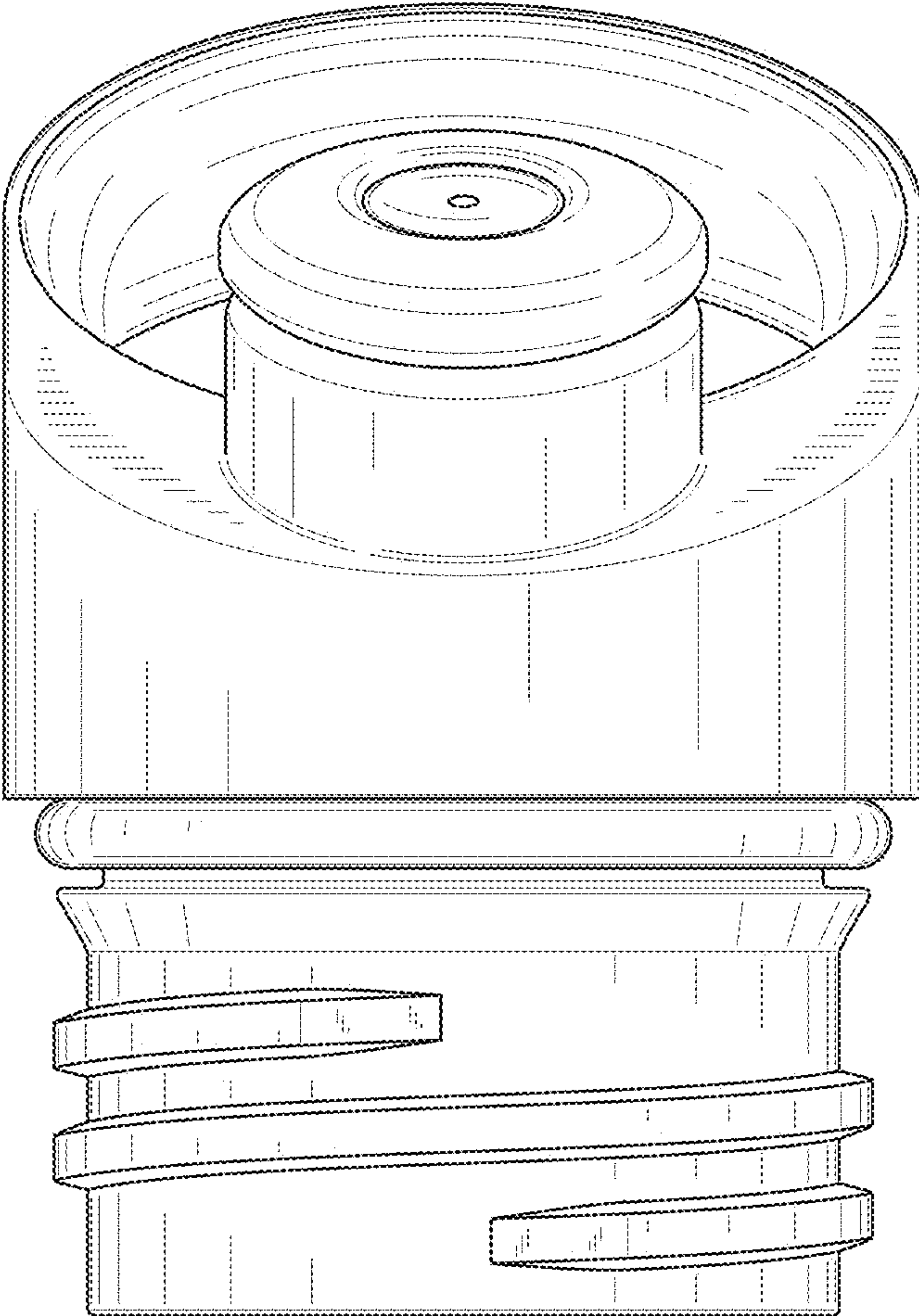


FIG. 4

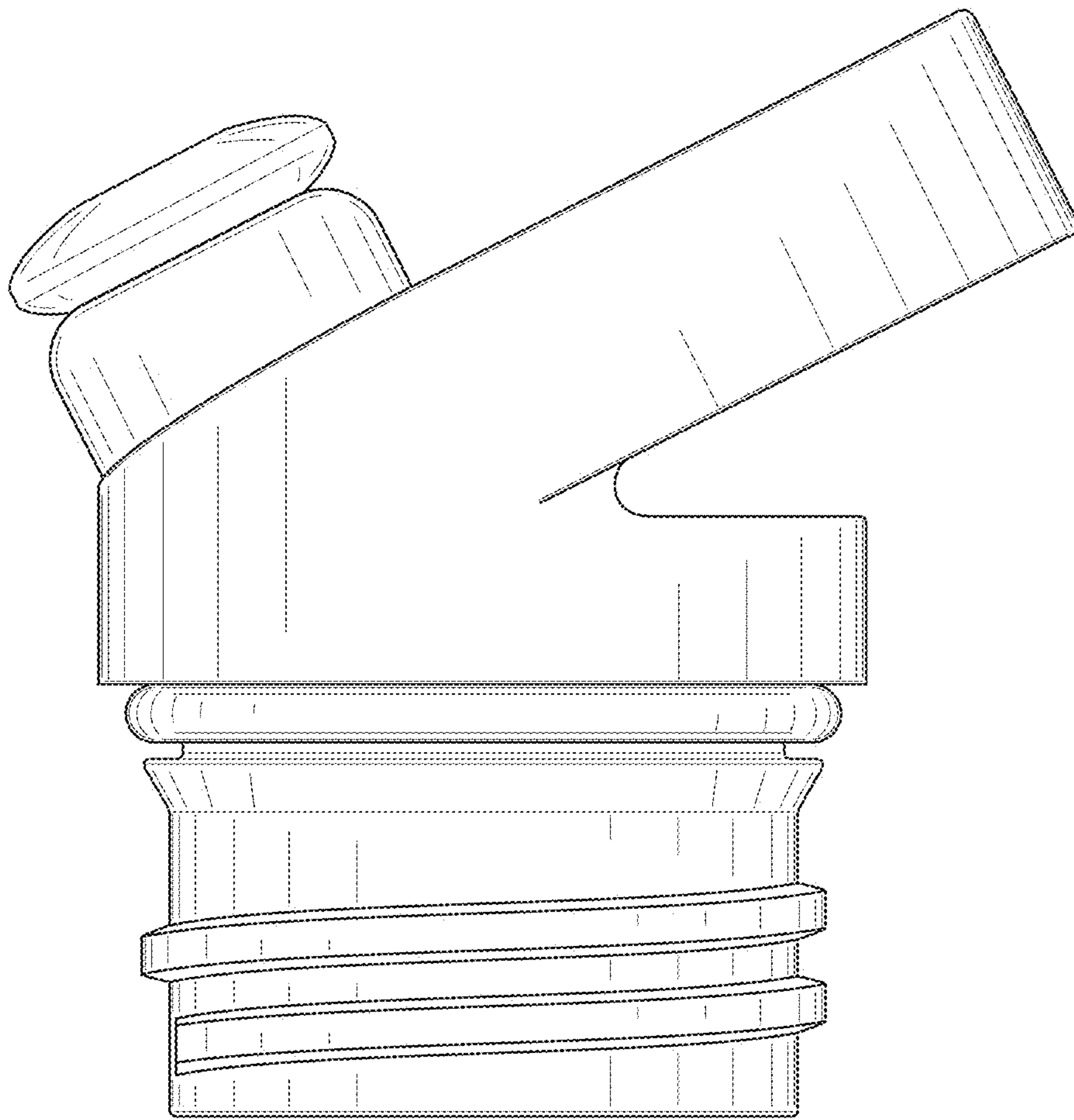


FIG. 5

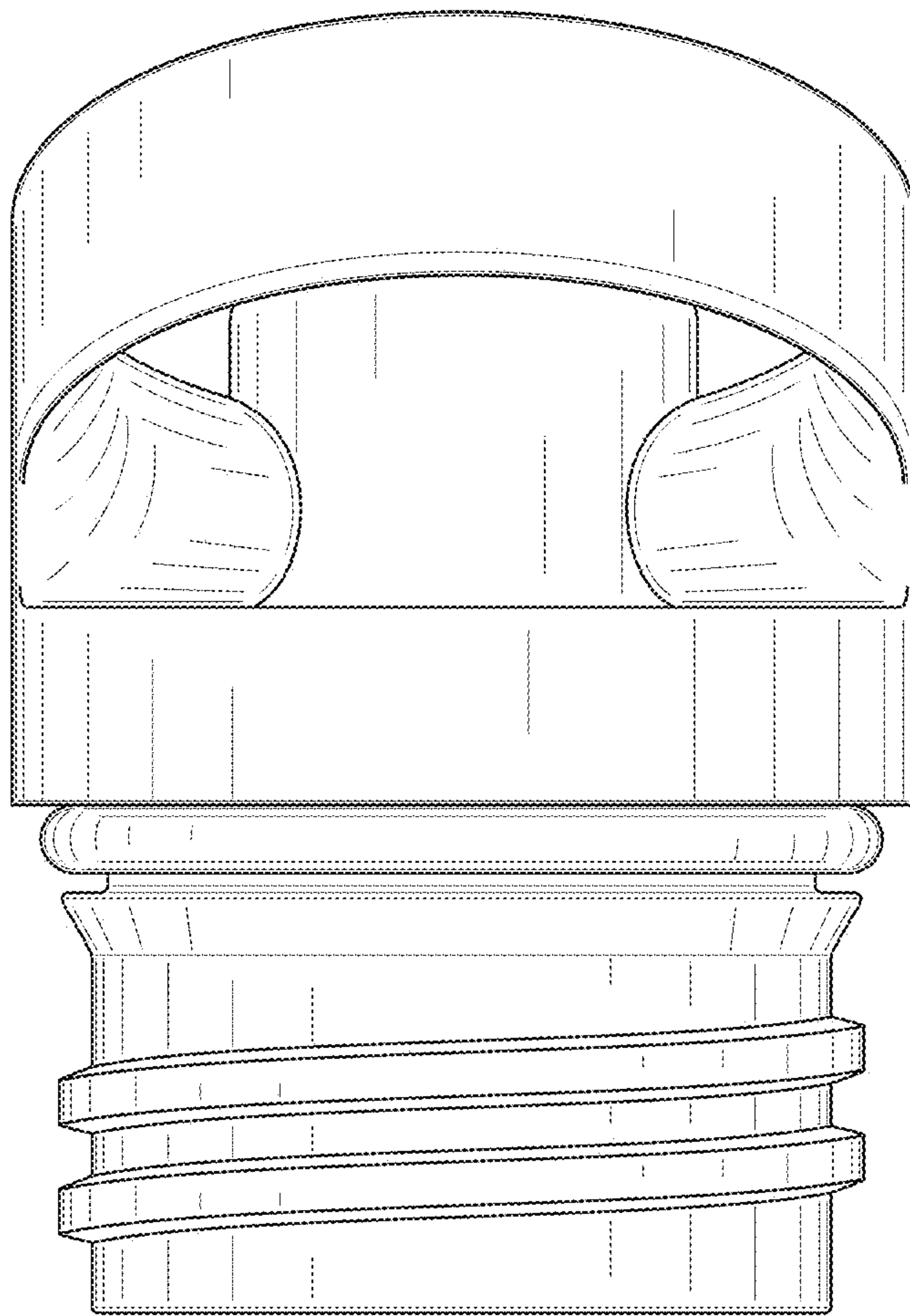


FIG. 6



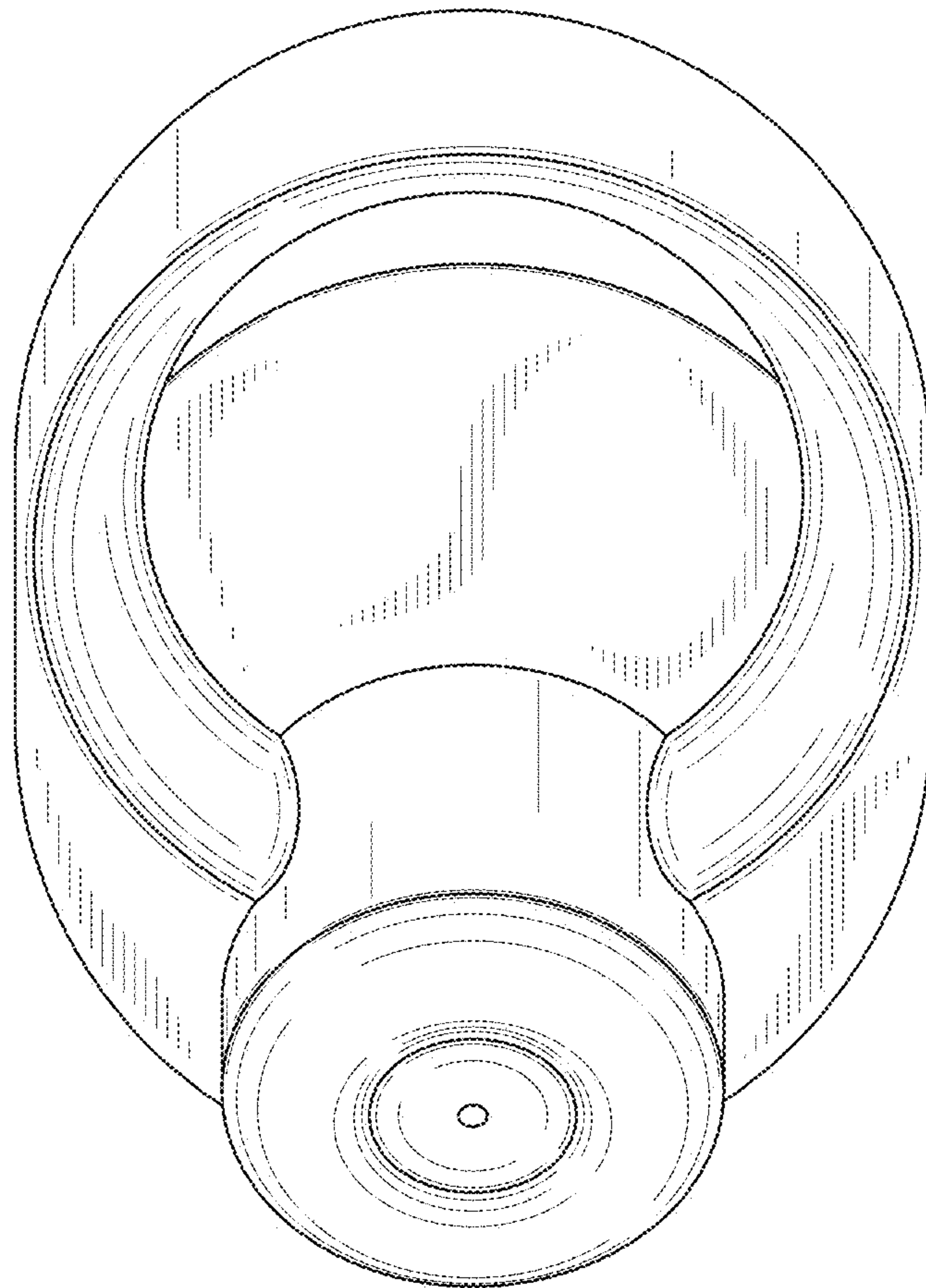


FIG. 7

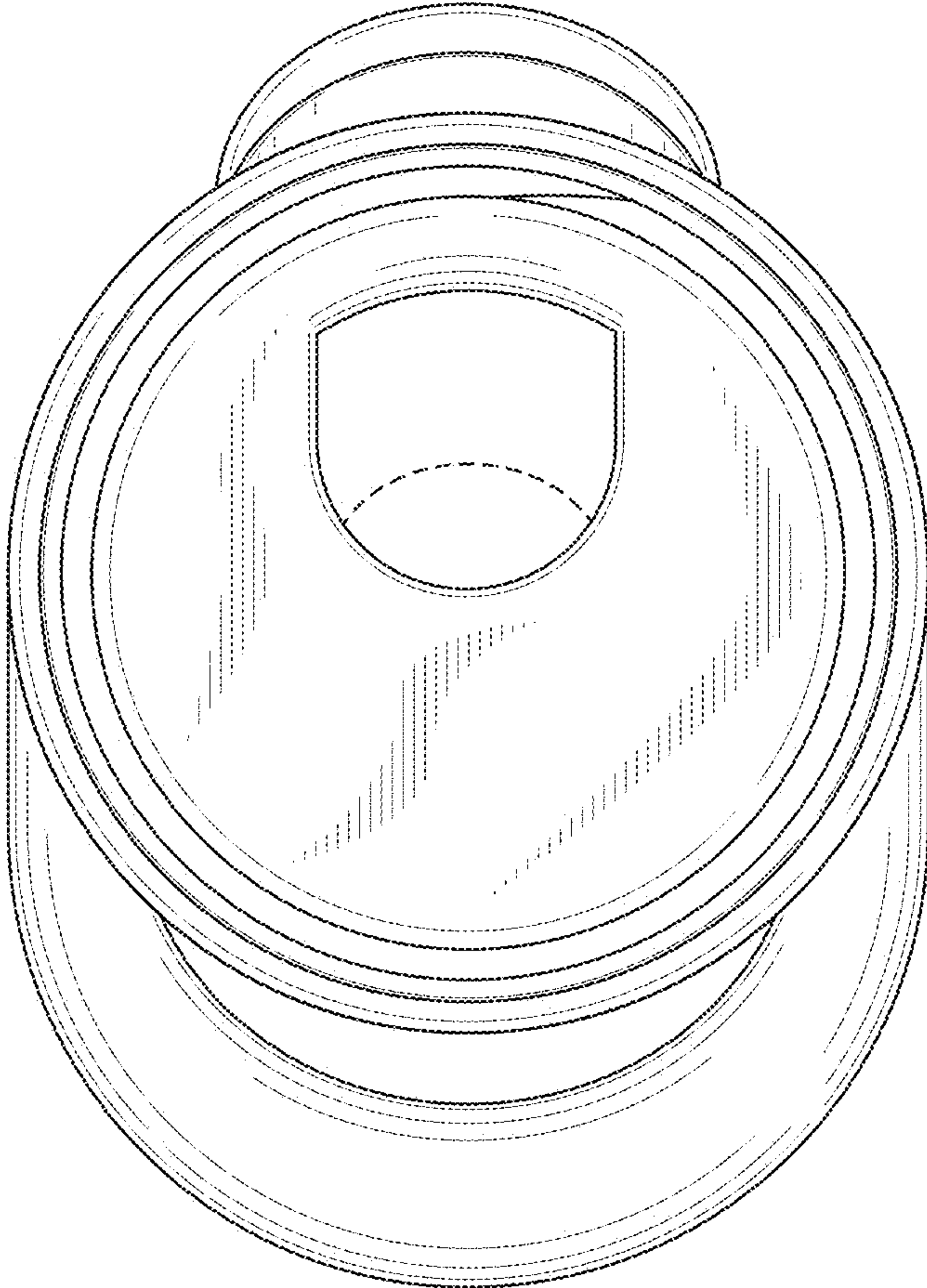


FIG. 8