



US00D752915S

(12) **United States Design Patent**  
**Castriota**

(10) **Patent No.:** **US D752,915 S**

(45) **Date of Patent:** **\*\* Apr. 5, 2016**

(54) **COOKWARE CONTAINER LID**

(71) Applicant: **Susan Castriota**, Pittsburgh, PA (US)

(72) Inventor: **Susan Castriota**, Pittsburgh, PA (US)

(\*\*) Term: **14 Years**

(21) Appl. No.: **29/490,875**

(22) Filed: **May 15, 2014**

(51) **LOC (10) Cl.** ..... **07-02**

(52) **U.S. Cl.**

USPC ..... **D7/391**; D7/354

(58) **Field of Classification Search**

USPC ..... D7/360, 391, 392, 392.1, 393, 396.2,  
D7/397, 608, 629; D9/414, 424-432, 435,  
D9/443, 451-452

CPC ... A47G 19/22; A47G 19/2272; A47G 19/26;  
A47J 36/027; A47J 36/06; A47J 37/10;  
A47J 37/101; A47J 47/02; B65D 21/0209;  
B65D 43/00; B65D 43/02; B65D 43/022;  
B65D 43/161; B65D 43/162; B65D 45/00;  
B65D 45/16; B65D 45/18; B65D 51/16;  
B65D 51/1683; B65D 51/1688; B65D  
51/1694; B65D 81/3227; B65F 1/1615

See application file for complete search history.

(56) **References Cited**

**U.S. PATENT DOCUMENTS**

797,314 A 8/1905 Owens  
1,973,449 A \* 9/1934 Tighe, Jr. .... A47G 19/26  
220/200

(Continued)

*Primary Examiner* — Ricky Pham

(74) *Attorney, Agent, or Firm* — James Ray and Assocs;  
Alexander Pokot

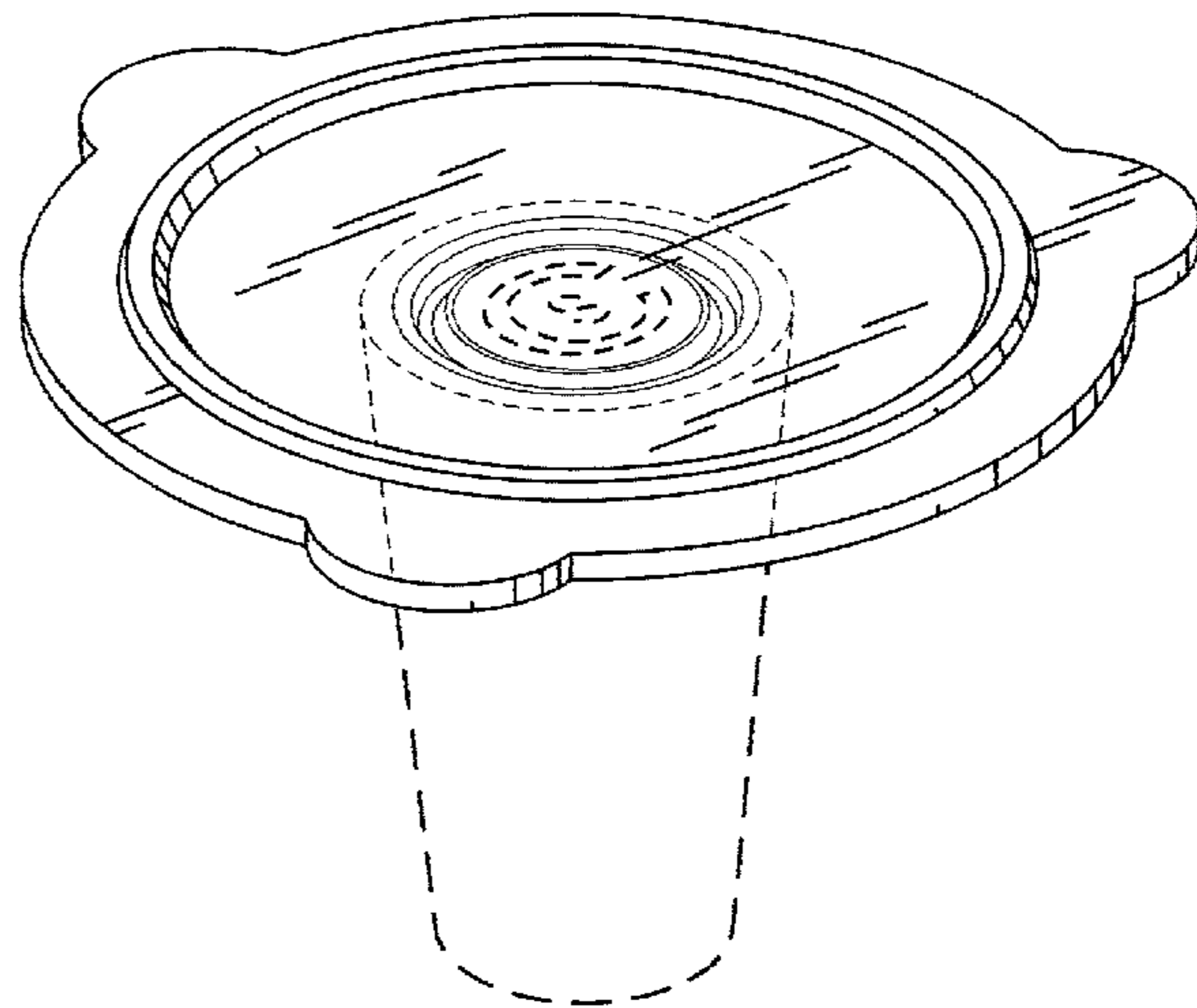
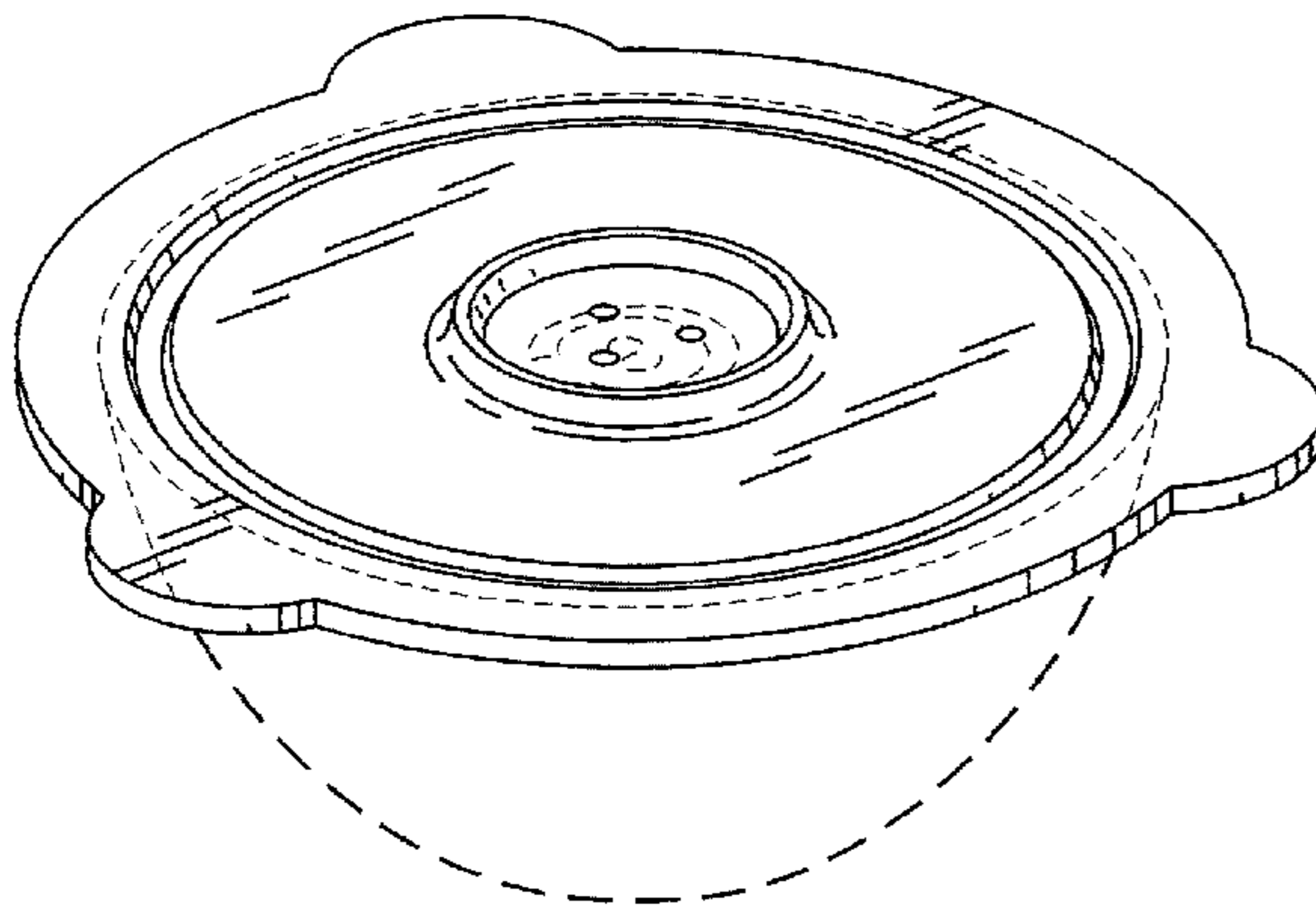
(57) **CLAIM**

The ornamental design for a cookware container lid, as shown and described.

**DESCRIPTION**

FIG. 1 is a bottom plan view of a lid showing my new design. FIG. 2 is a top bottom plan view of the lid of FIG. 1. FIG. 3 is a right side elevation view of the lid in FIG. 1. Left side elevation view is identical to the right side elevation view. FIG. 4 is a front elevation view of the lid in FIG. 1. FIG. 5 is a rear elevation view of the lid in FIG. 1. FIG. 6 is a bottom perspective view of the lid in FIG. 1. FIG. 7 is top perspective view of the lid in FIG. 1. FIG. 8 is a bottom perspective environmental view of the lid in FIG. 1. FIG. 9 is a top perspective environmental view of the lid in FIG. 1. FIG. 10 is a bottom plan view of another embodiment of a lid showing my new design. FIG. 11 is a top plan view of the lid of FIG. 10. FIG. 12 is a right side view of the lid in FIG. 10. Left side elevation view is identical to the right side elevation view. FIG. 13 is a front elevation view of the lid in FIG. 10. FIG. 14 is a rear elevation view of the lid in FIG. 10. FIG. 15 is bottom perspective view of the lid in FIG. 10. FIG. 16 is top perspective view of the lid in FIG. 10. FIG. 17 is a bottom perspective environmental view of the lid in FIG. 10; and, FIG. 18 is a top perspective environmental view of the lid in FIG. 10. The broken lines showing vessel such as glass or bowl and lettering are for environmental purposed only and forms no part of the claimed design.

**1 Claim, 12 Drawing Sheets**



(56)

**References Cited**

U.S. PATENT DOCUMENTS

2,760,672	A *	8/1956	Cronheim	.....	A47J 37/101 126/384.1
2,867,352	A	1/1959	Kawano		
2,907,467	A	10/1959	Machate, Jr.		
4,478,349	A	10/1984	Haverland, Jr. et al.		
4,512,497	A *	4/1985	Grusin	.....	A47J 47/02 126/389.1
D296,525	S *	7/1988	Siegel	.....	D9/438
4,828,140	A	5/1989	Henderson		
D336,596	S *	6/1993	Osgood	.....	D7/542
5,481,967	A	1/1996	Chen		
6,105,811	A *	8/2000	Alfred	.....	A47J 36/06 220/287
D457,388	S *	5/2002	Milroy	.....	D7/213
7,168,589	B2 *	1/2007	Dark	.....	A47G 19/2272 220/711
D537,300	S *	2/2007	Kim	.....	D7/542
7,806,044	B2 *	10/2010	Lin	.....	A47G 19/22 220/254.8
D665,663	S *	8/2012	Krupa	.....	D9/425
8,590,728	B1	11/2013	McPherson		
D734,976	S *	7/2015	Quinn	.....	D7/354
2002/0178995	A1	12/2002	Kane, Jr.		
2004/0099544	A1 *	5/2004	Ness	.....	B65D 81/3227 206/216

\* cited by examiner

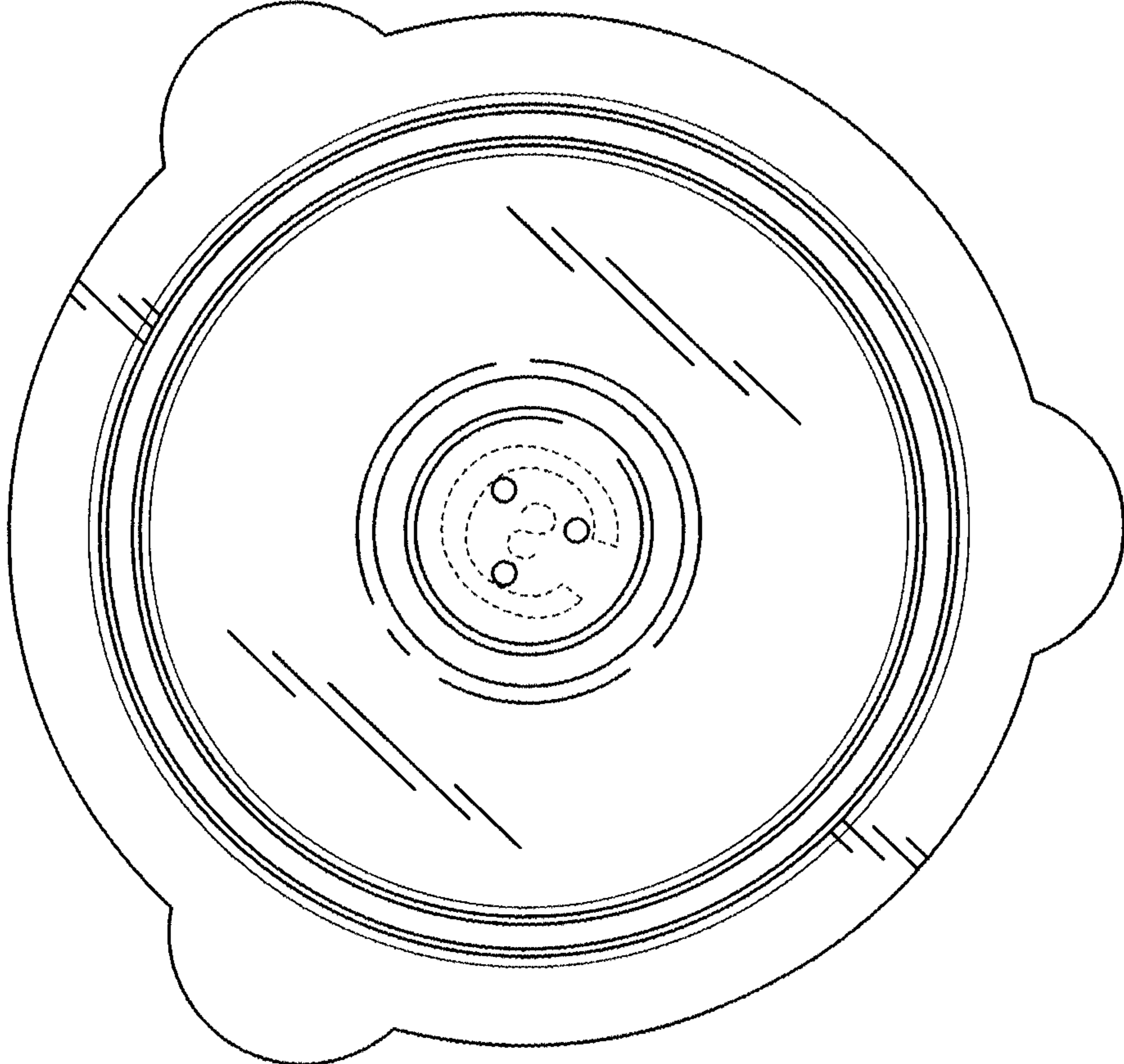


FIG. 1

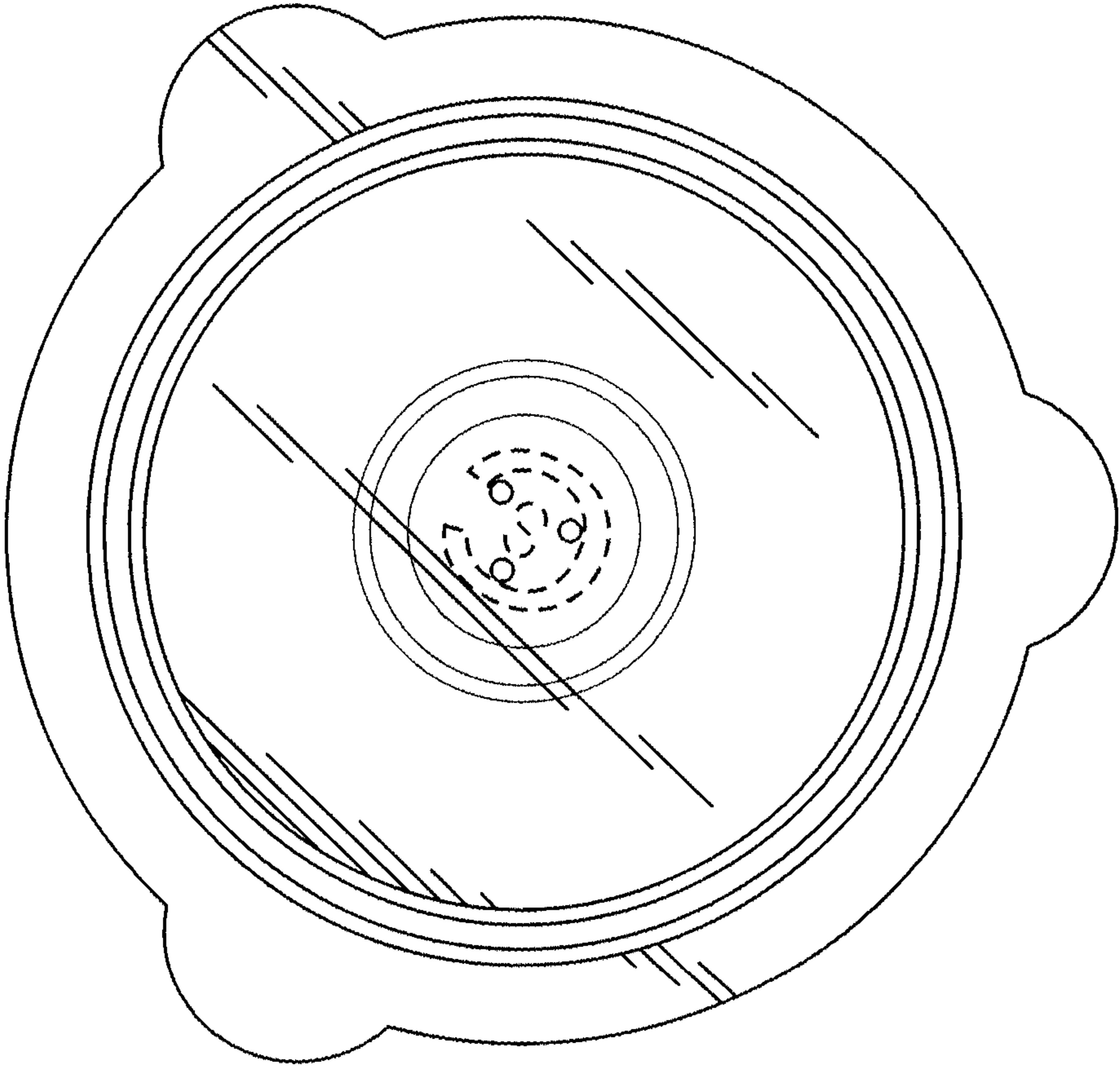


FIG. 2



FIG. 3

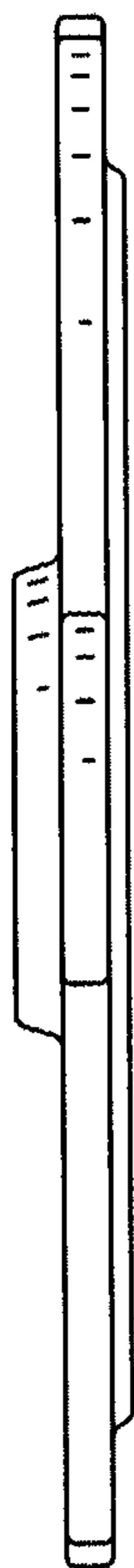


FIG. 4



FIG. 5

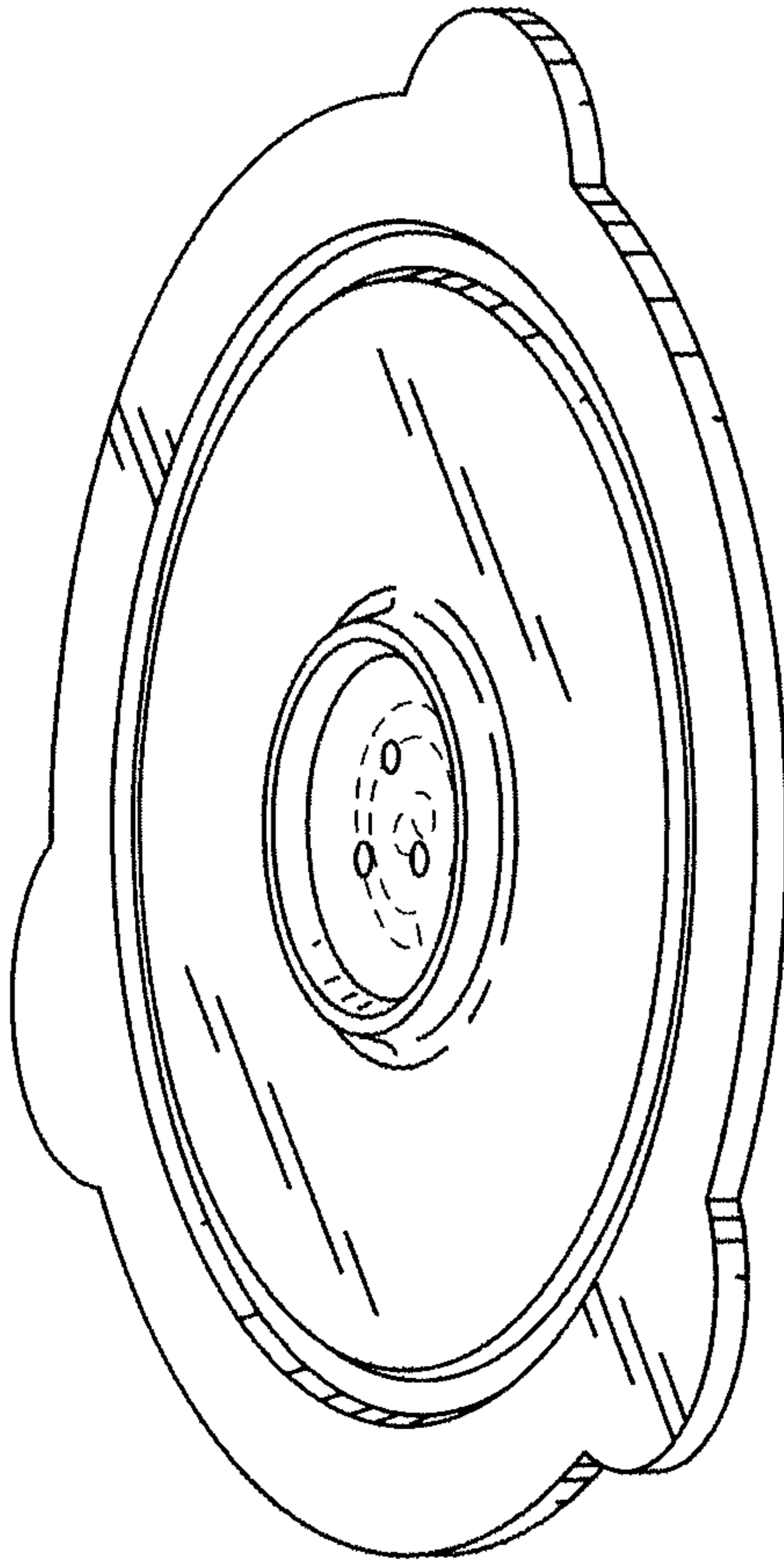


FIG. 6

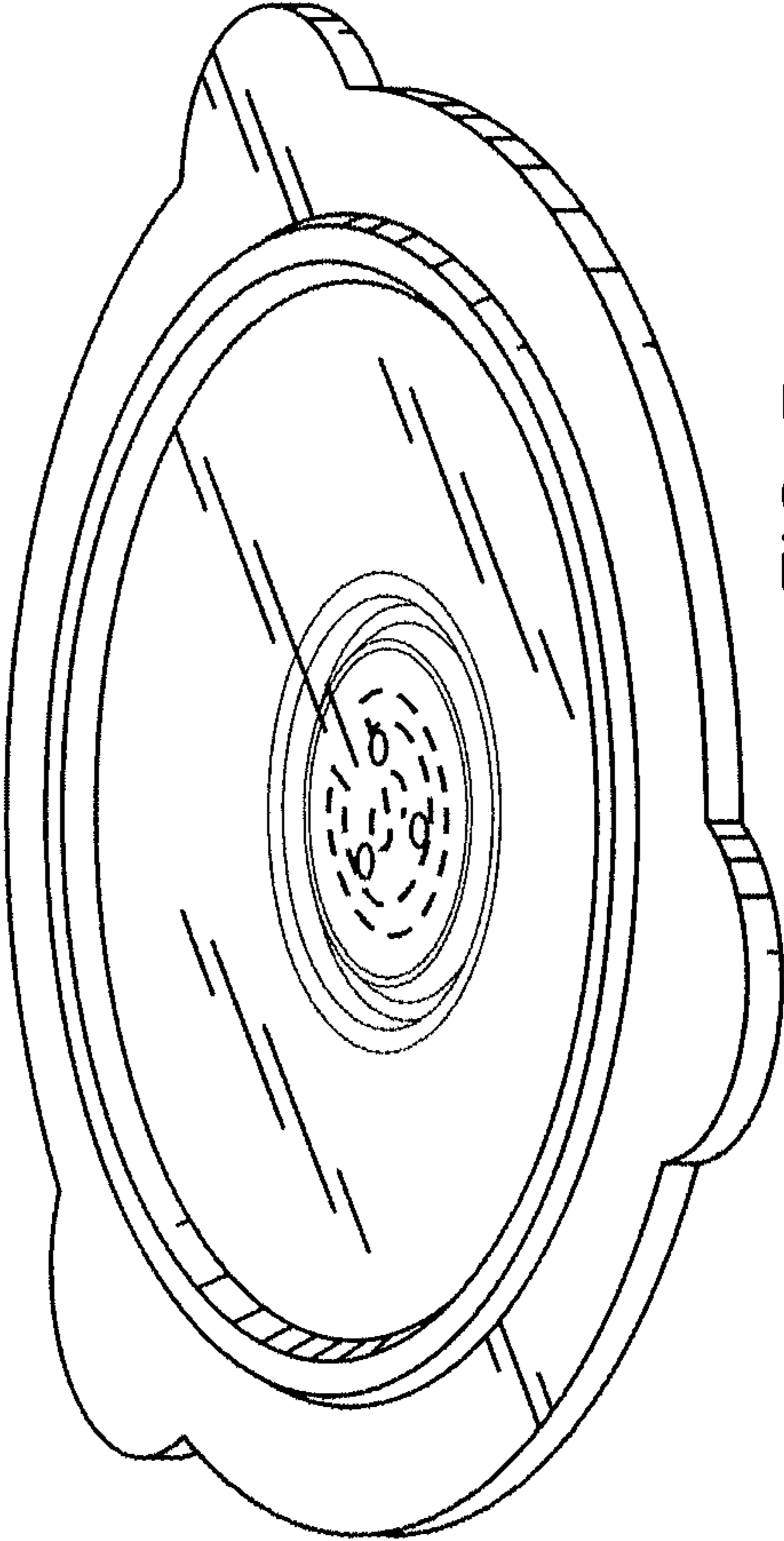


FIG. 7

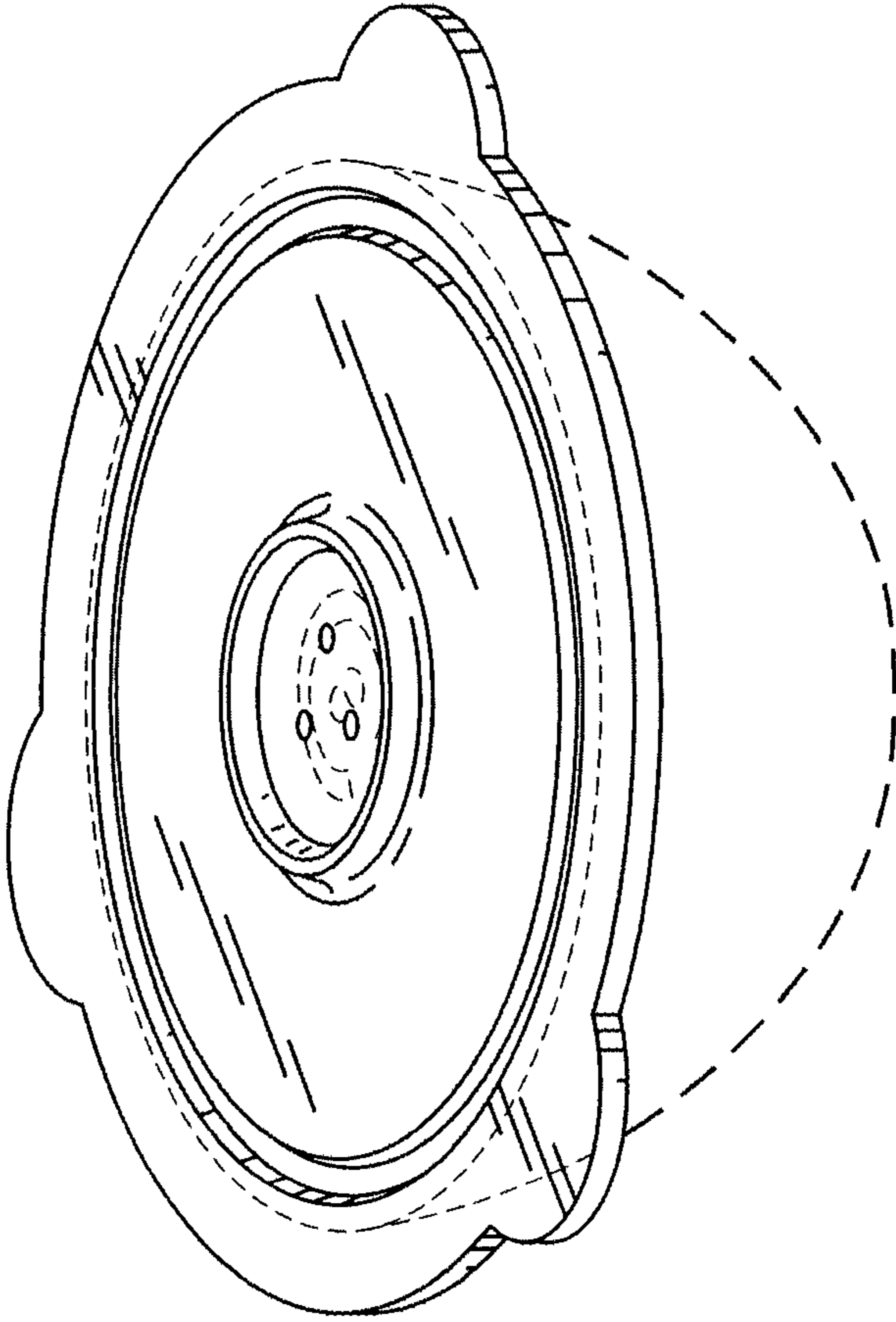


FIG. 8

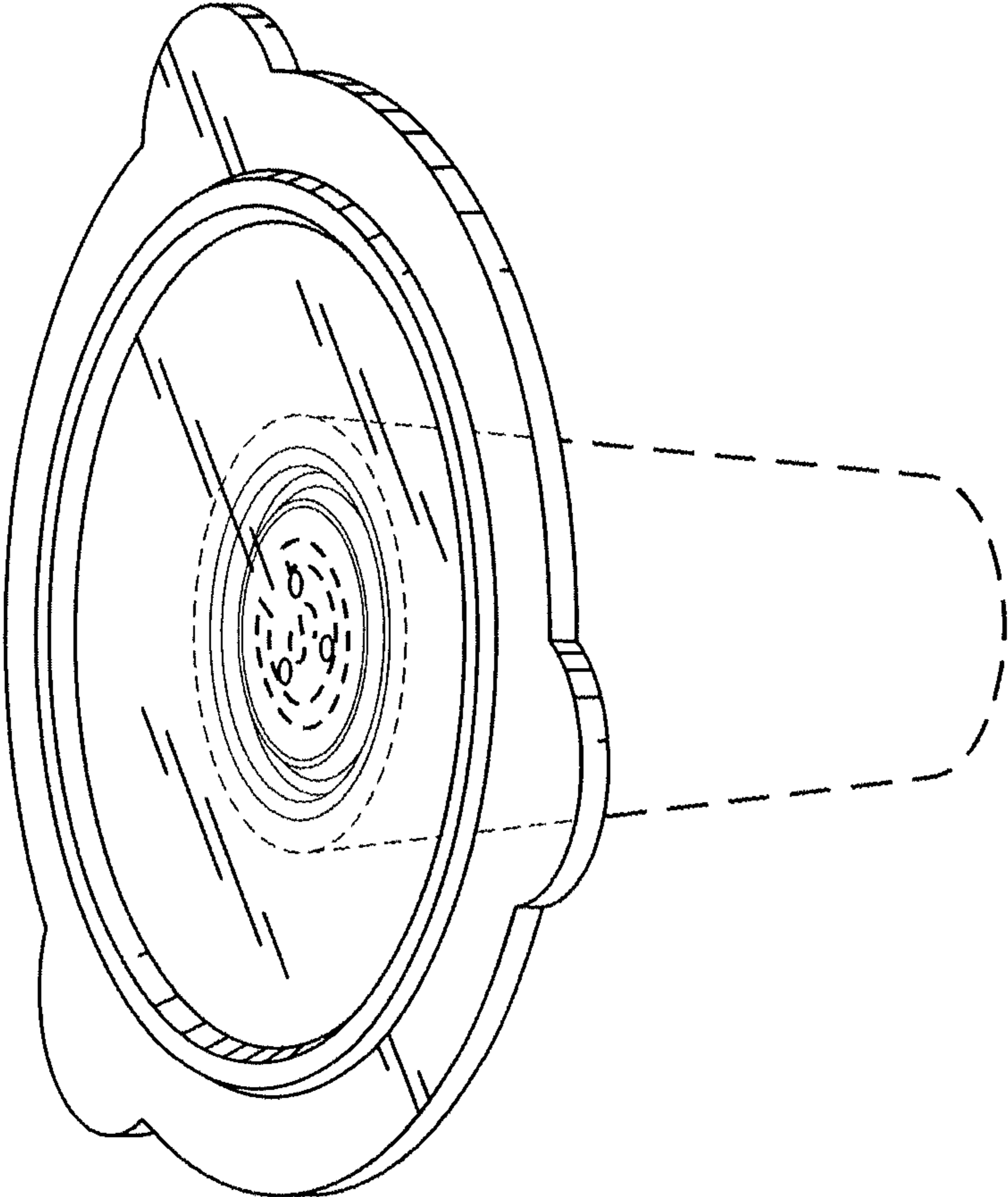


FIG. 9



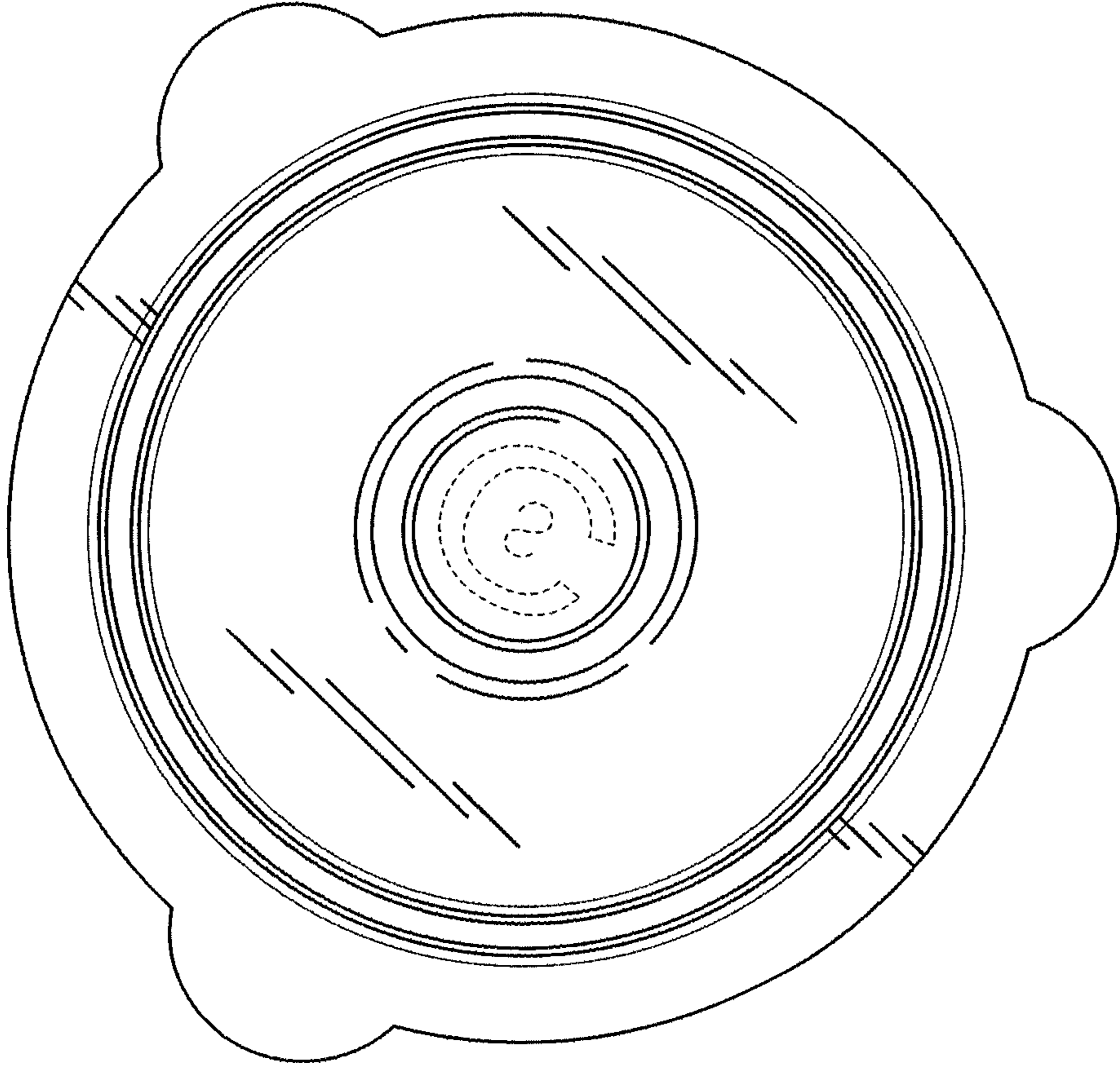


FIG. 10

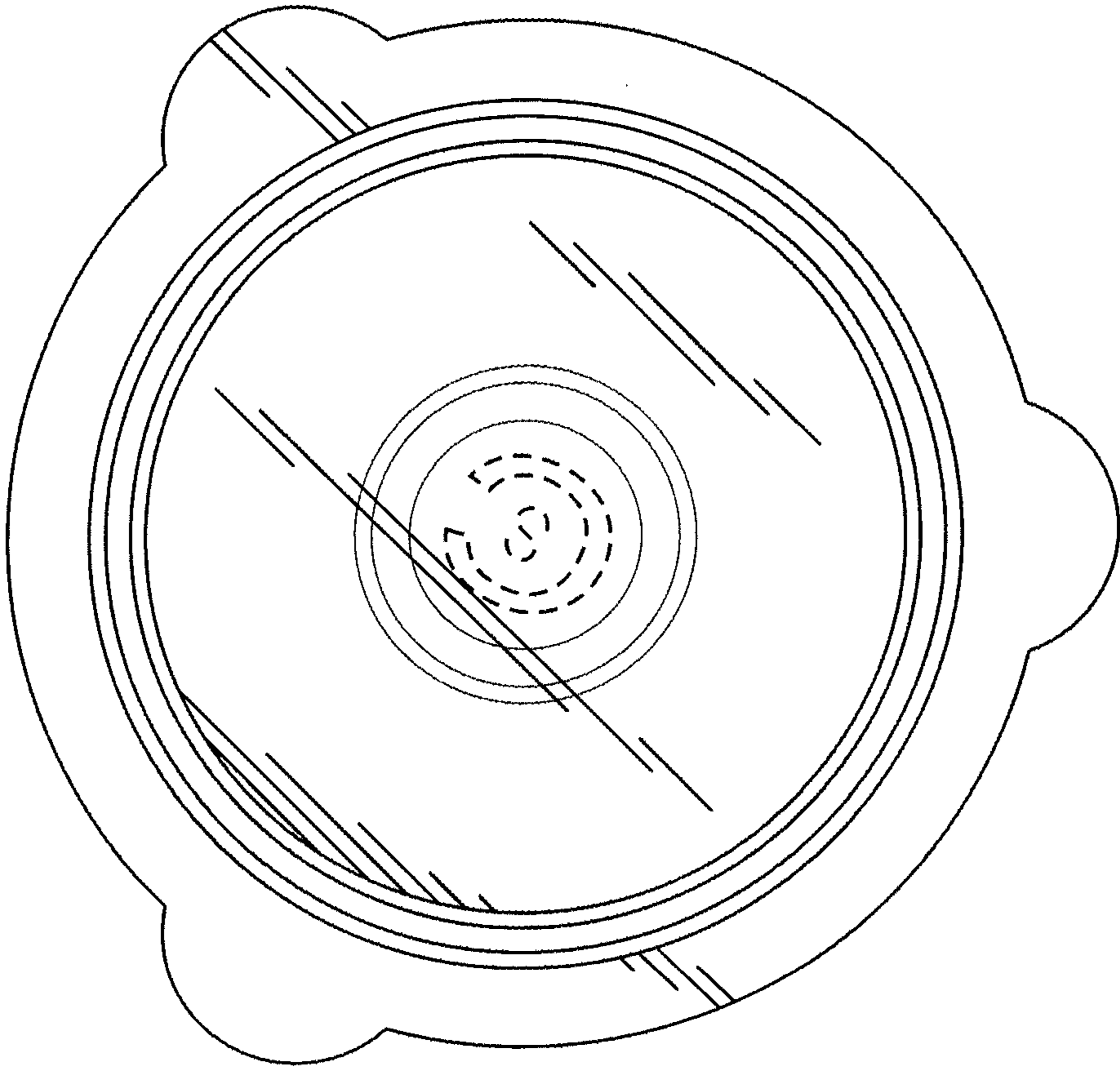


FIG. 11



FIG. 12

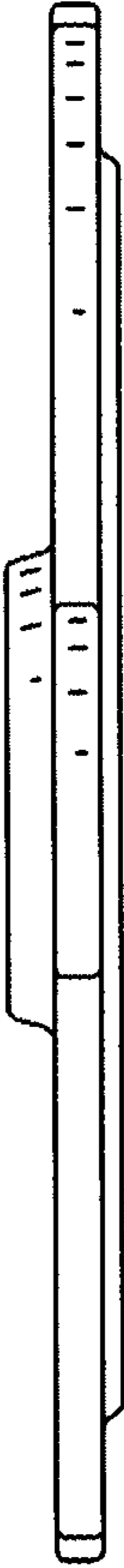


FIG. 13



FIG. 14

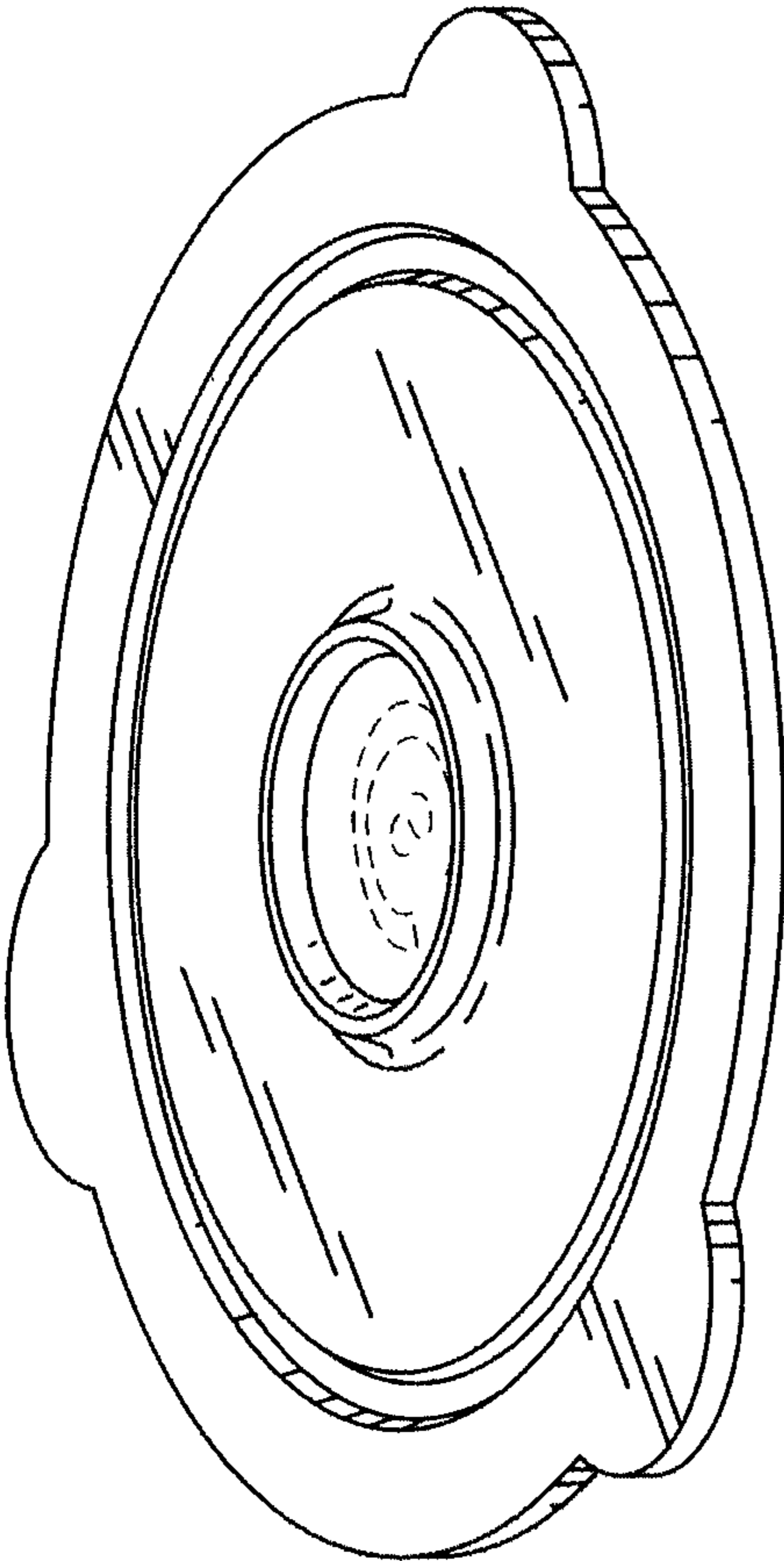


FIG. 15

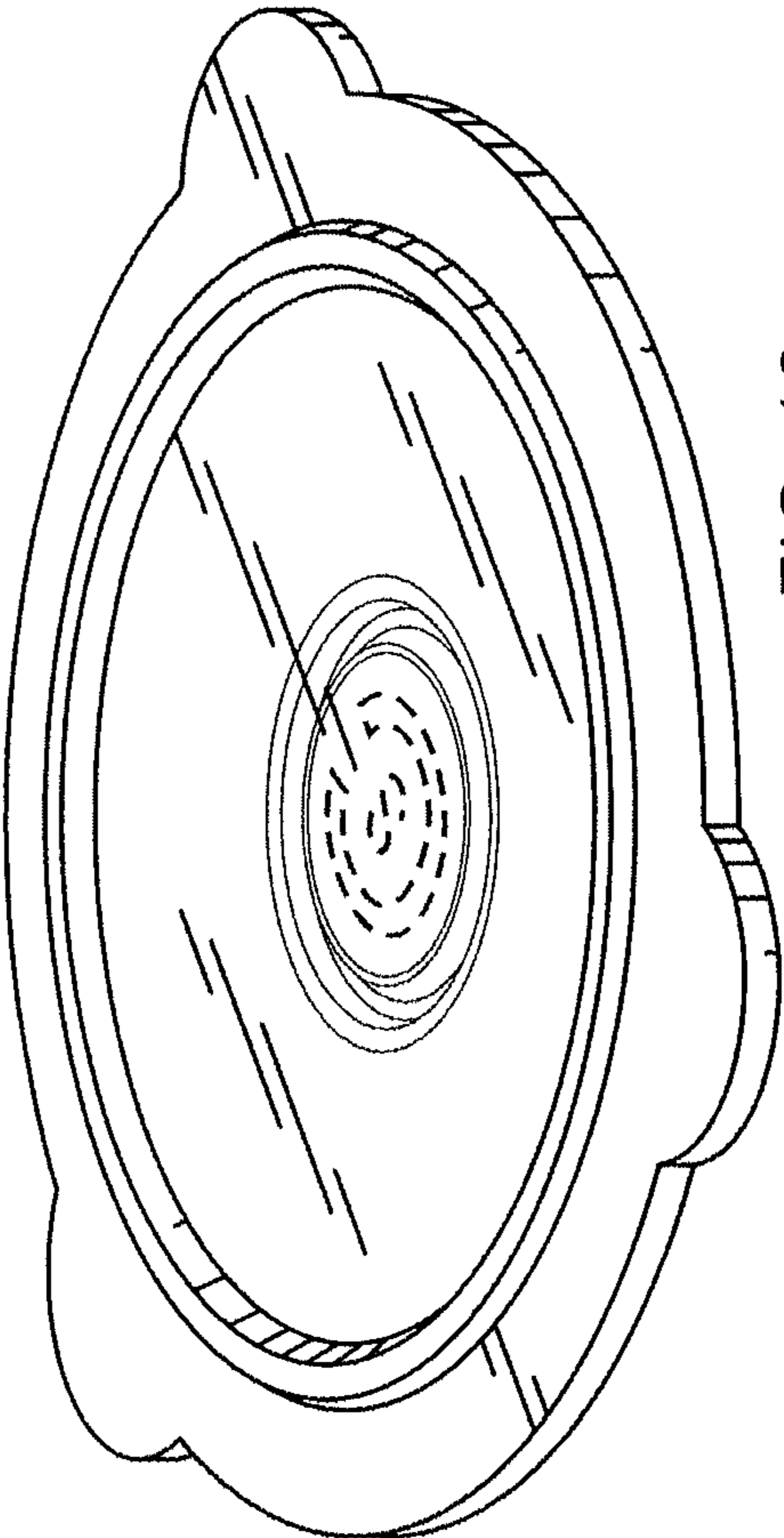


FIG. 16

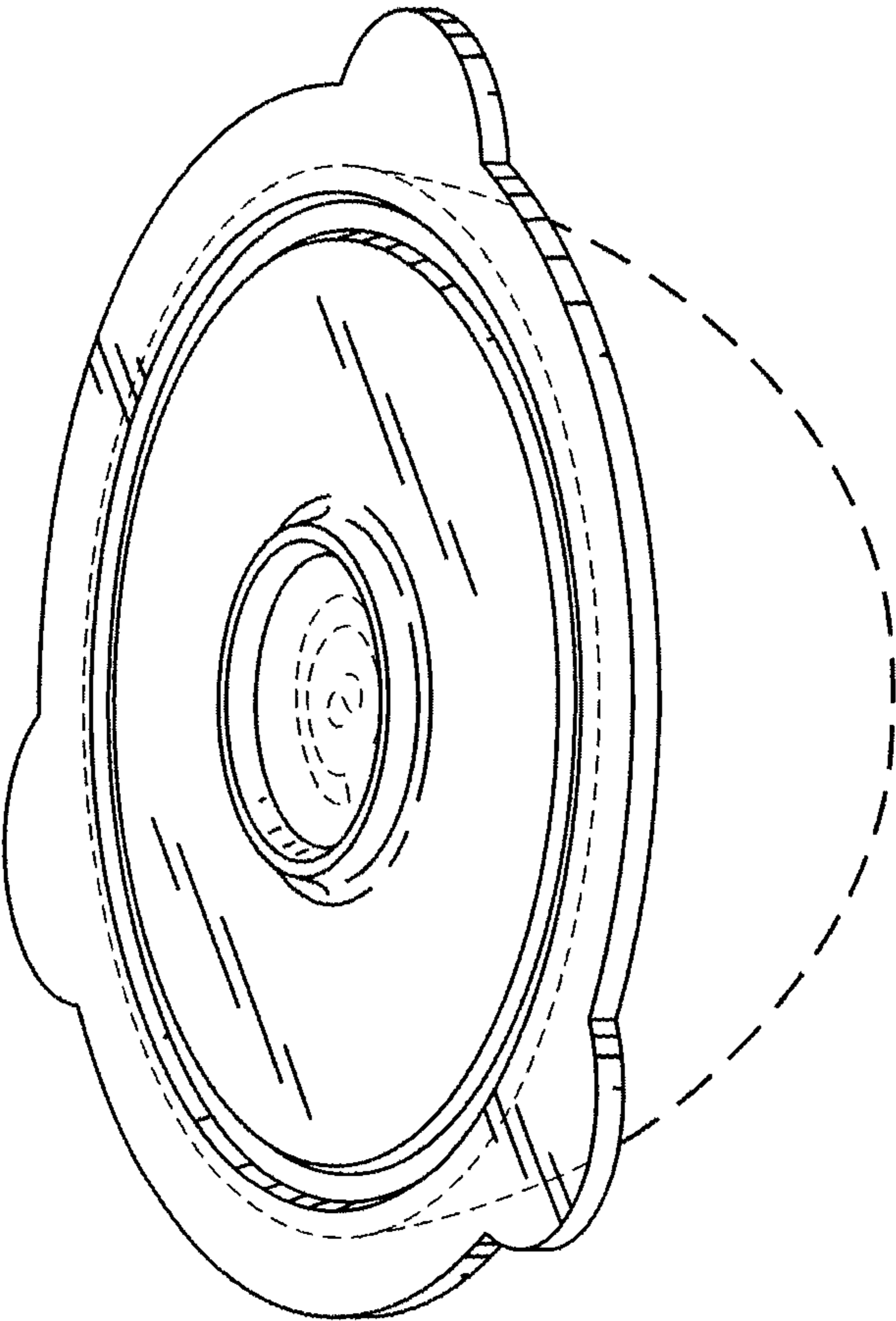


FIG. 17

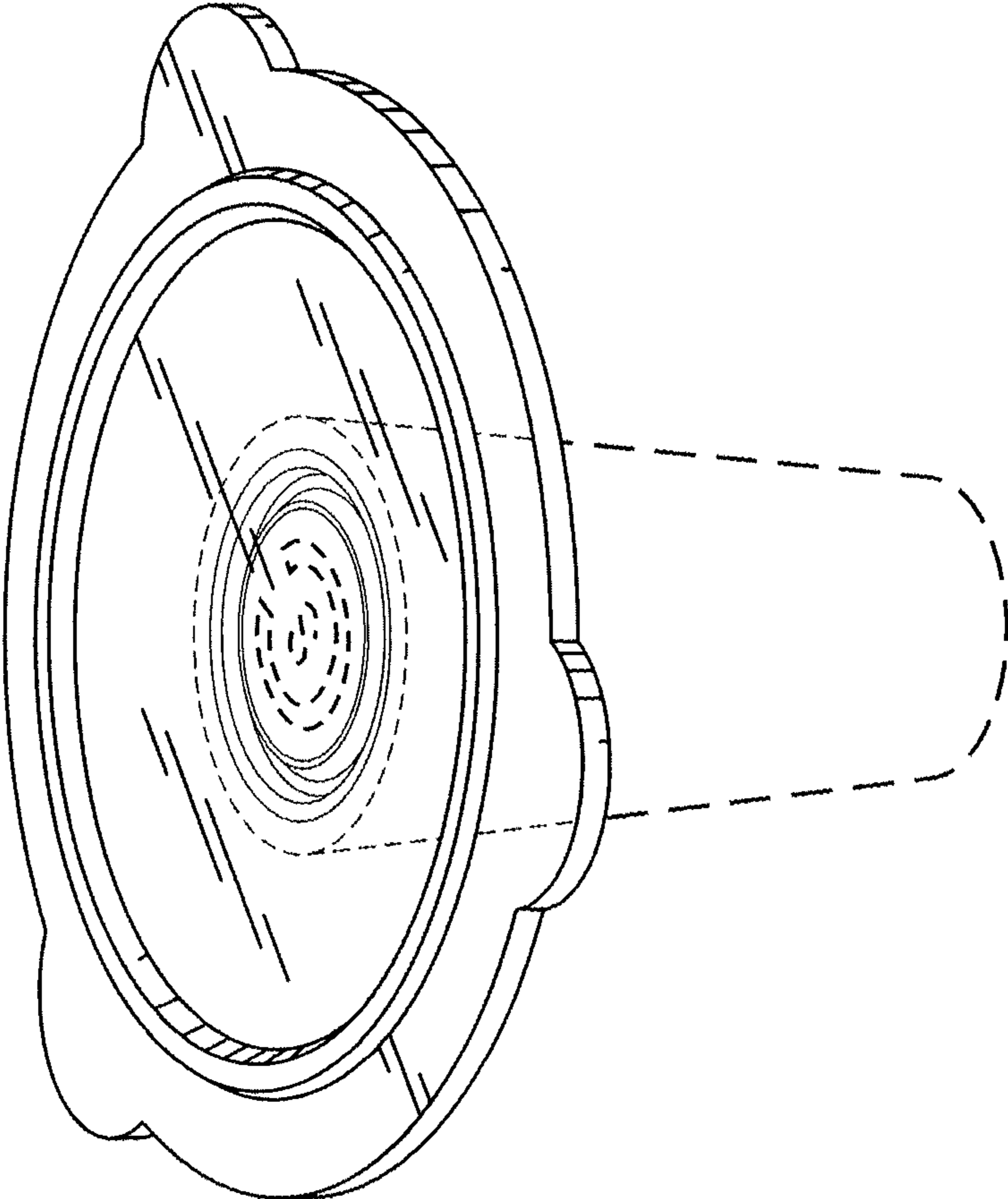


FIG. 18