



US00D752913S

(12) **United States Design Patent**
Taylor

(10) **Patent No.:** **US D752,913 S**
(45) **Date of Patent:** **** Apr. 5, 2016**

- (54) **PORTABLE COOKER HAVING FOLDABLE HANDLE**
- (71) Applicant: **BCB International Limited**, Cardiff (GB)
- (72) Inventor: **Derek William Taylor**, Cardiff (GB)
- (73) Assignee: **BCB International Limited** (GB)
- (**) Term: **14 Years**
- (21) Appl. No.: **29/498,644**
- (22) Filed: **Aug. 6, 2014**
- (51) **LOC (10) Cl.** **07-02**
- (52) **U.S. Cl.**
USPC **D7/361; D7/354**

- (58) **Field of Classification Search**
USPC D7/323, 332, 335-337, 354-355, D7/359-364, 387-388, 402, 407-409, 512
CPC A21B 2/00; A21B 3/00; A21B 3/13; A21B 3/15; A21B 5/00; A21B 5/02; A23N 12/06; A23N 12/08; A23N 12/10; A47J 27/04; A47J 27/18; A47J 27/60; A47J 36/08; A47J 36/20; A47J 36/22; A47J 37/00; A47J 37/04; A47J 37/041; A47J 37/042; A47J 37/06; A47J 37/0688; A47J 37/0694; A47J 37/07; A47J 37/0704; A47J 37/10; A47J 37/1219; A47J 47/10; A47J 47/20; A47J 2037/00; A47J 2037/06; A47J 2037/0611; A47J 2037/07; A47J 2037/0786; A47J 2037/0795; F24C 15/10; F24C 15/12; F24C 15/14; F24C 15/16; F24C 15/164; F24C 15/18

See application file for complete search history.

(56) **References Cited**
U.S. PATENT DOCUMENTS

- 211,076 A * 12/1878 Follett A47J 27/04 220/23.87
- 217,378 A * 7/1879 Hodges A47J 37/1219 99/414

- 1,272,222 A * 7/1918 Clayton A47J 27/60 220/23.87
- 4,574,776 A * 3/1986 Hidle A47J 27/04 126/369
- 4,626,352 A * 12/1986 Massey A47J 36/08 210/469
- 5,918,535 A * 7/1999 Moreau A47J 36/20 394/26
- 5,988,050 A * 11/1999 Foster, Jr. A47J 47/10 210/241
- 6,103,291 A * 8/2000 Fernandez Tapia A47J 27/04 220/912
- 6,269,737 B1 * 8/2001 Rigney A47J 27/04 126/369
- 6,711,992 B1 * 3/2004 McLemore A47J 27/04 99/339
- 6,732,636 B1 * 5/2004 Germano A47J 36/22 99/403
- D663,164 S * 7/2012 Taylor D7/512
- 8,826,806 B2 * 9/2014 Difante A47J 27/18 210/483

* cited by examiner

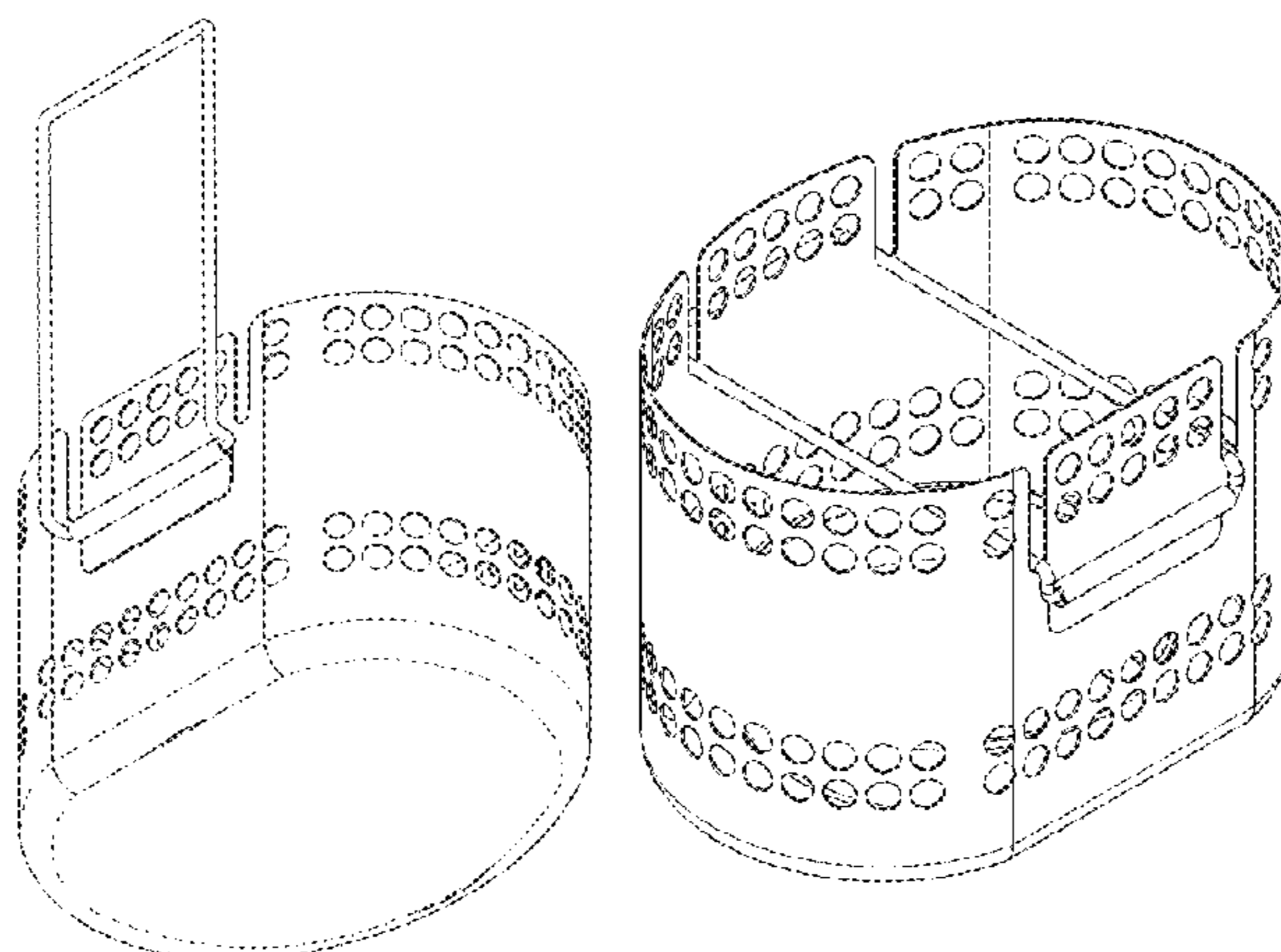
Primary Examiner — Ricky Pham
(74) *Attorney, Agent, or Firm* — Kwan & Olynick LLP

(57) **CLAIM**
I claim the ornamental design for a portable cooker having a foldable handle, as shown and described.

DESCRIPTION

FIG. 1 is a perspective view of a portable cooker with a foldable handle in an upright position showing back, bottom, and left sides;
 FIG. 2 is another perspective view of a portable cooker with a foldable handle in a folded position showing front, top, and right sides;
 FIG. 3 is a back side view of a portable cooker with a foldable handle in an upright position;
 FIG. 4 is a left side view of a portable cooker with a foldable handle in an upright position;
 FIG. 5 is a right side view of a portable cooker with a foldable handle in a folded position;
 FIG. 6 is a bottom side view of a portable cooker with a foldable handle in a folded position; and,
 FIG. 7 is a top side view of a portable cooker with a foldable handle in a folded position.

1 Claim, 7 Drawing Sheets



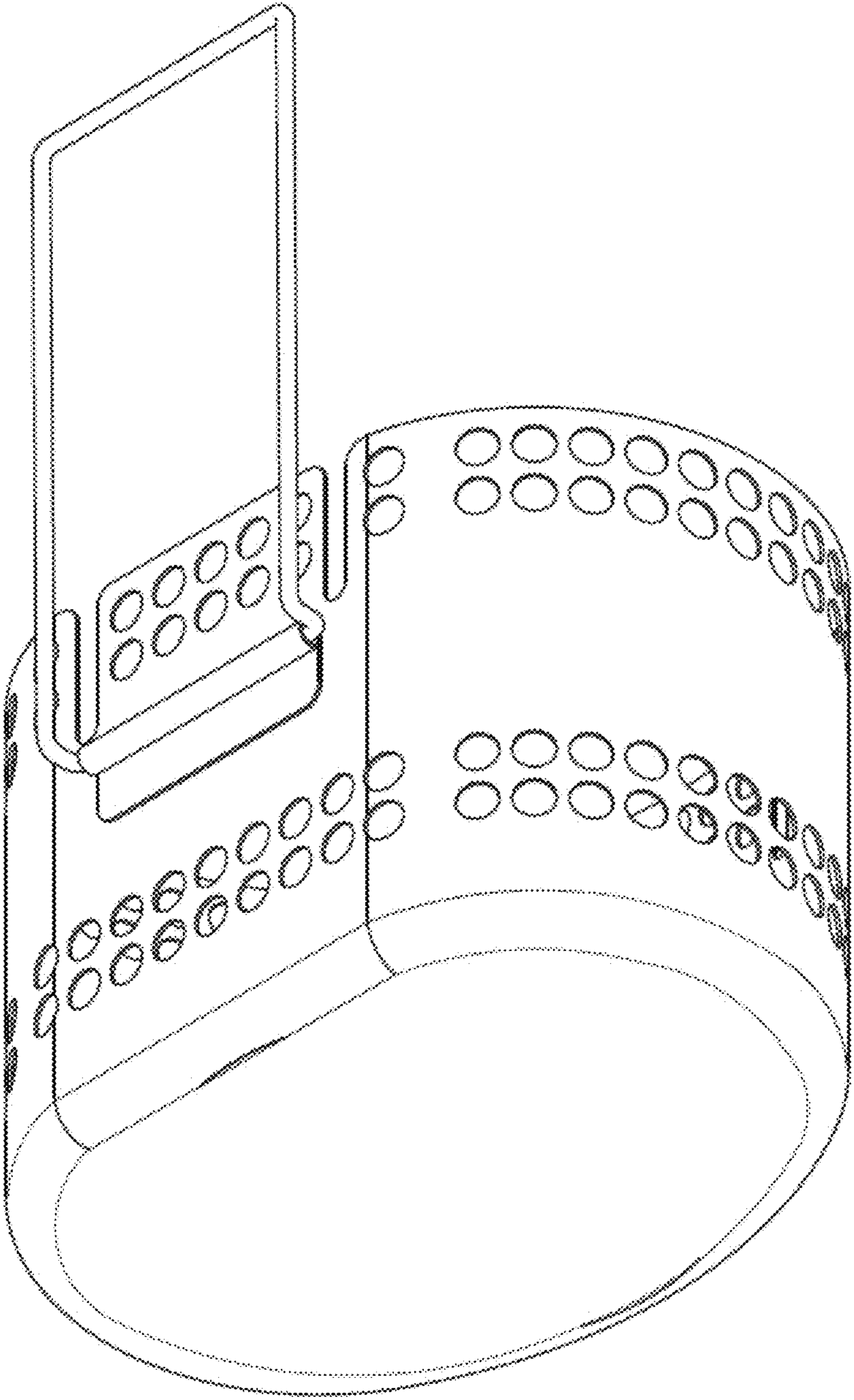


FIG. 1

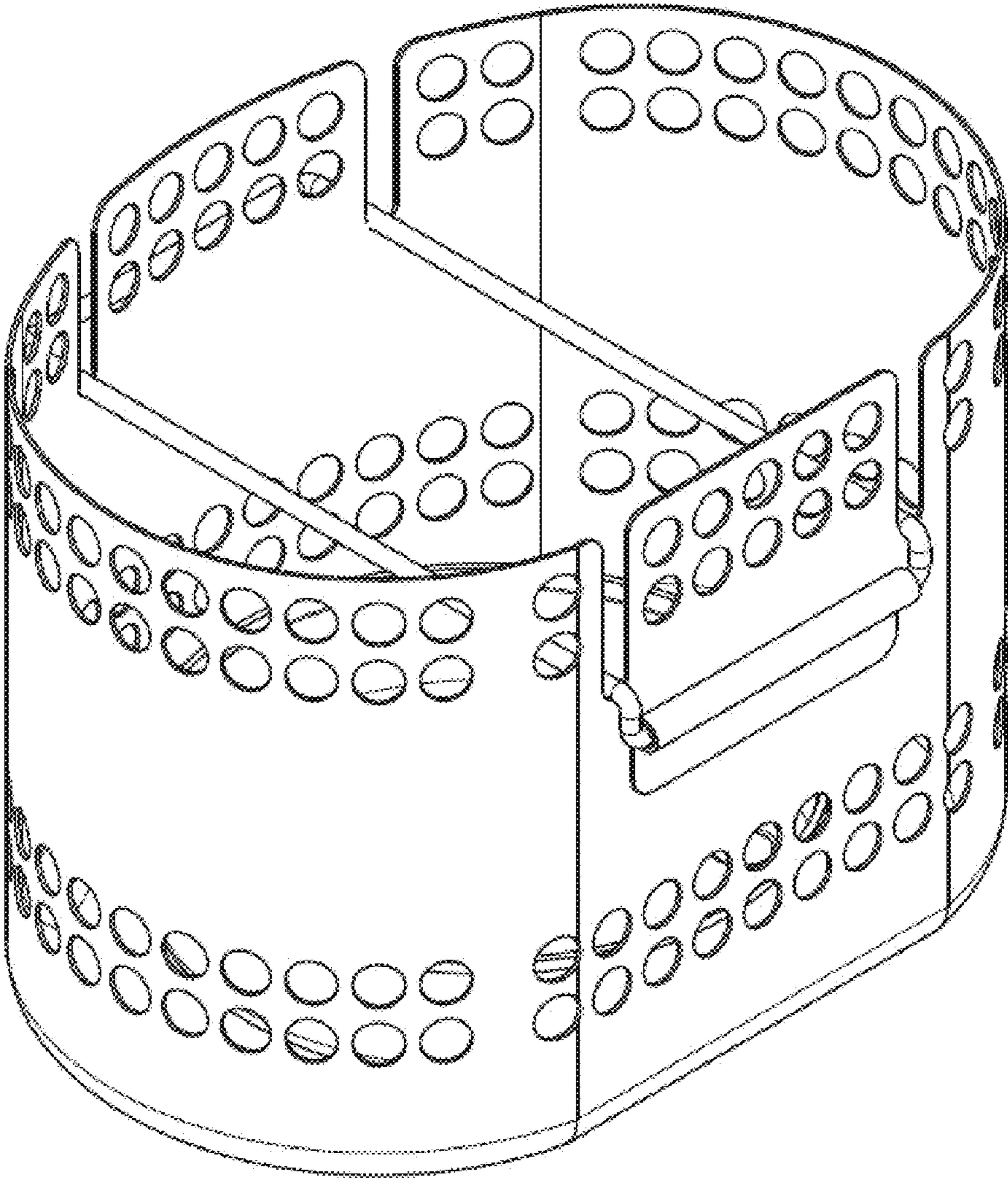


FIG. 2

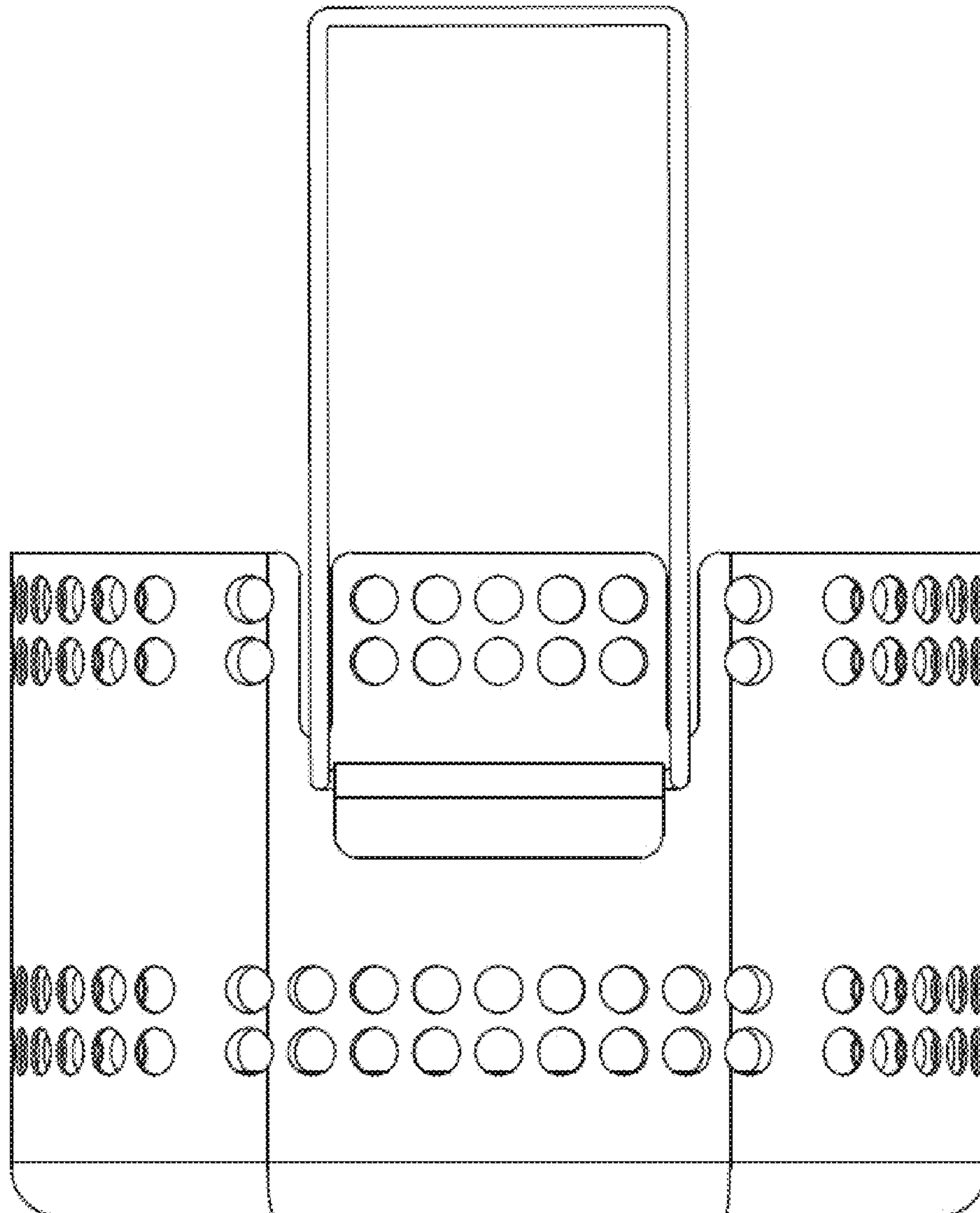


FIG. 3

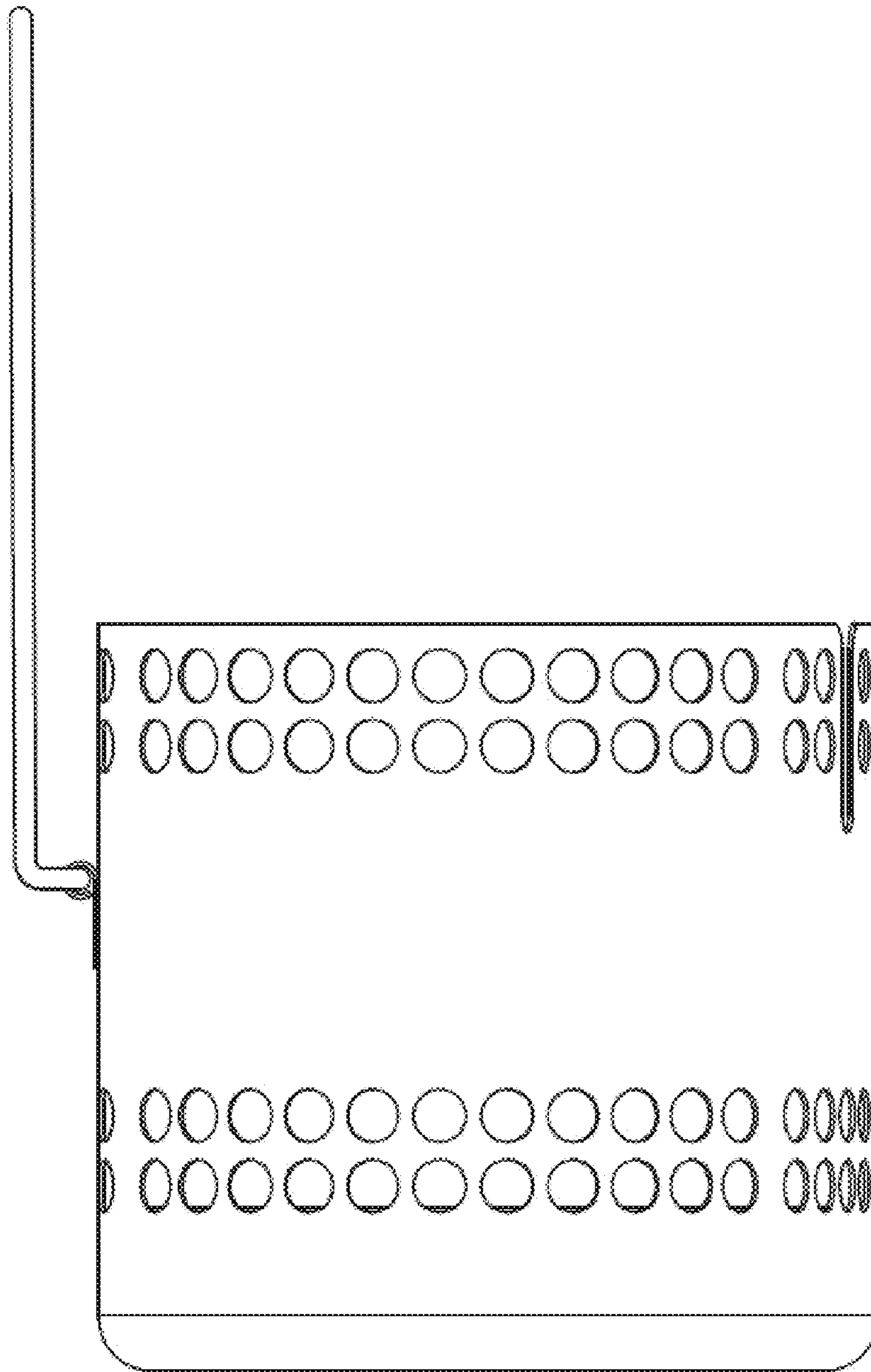


FIG. 4

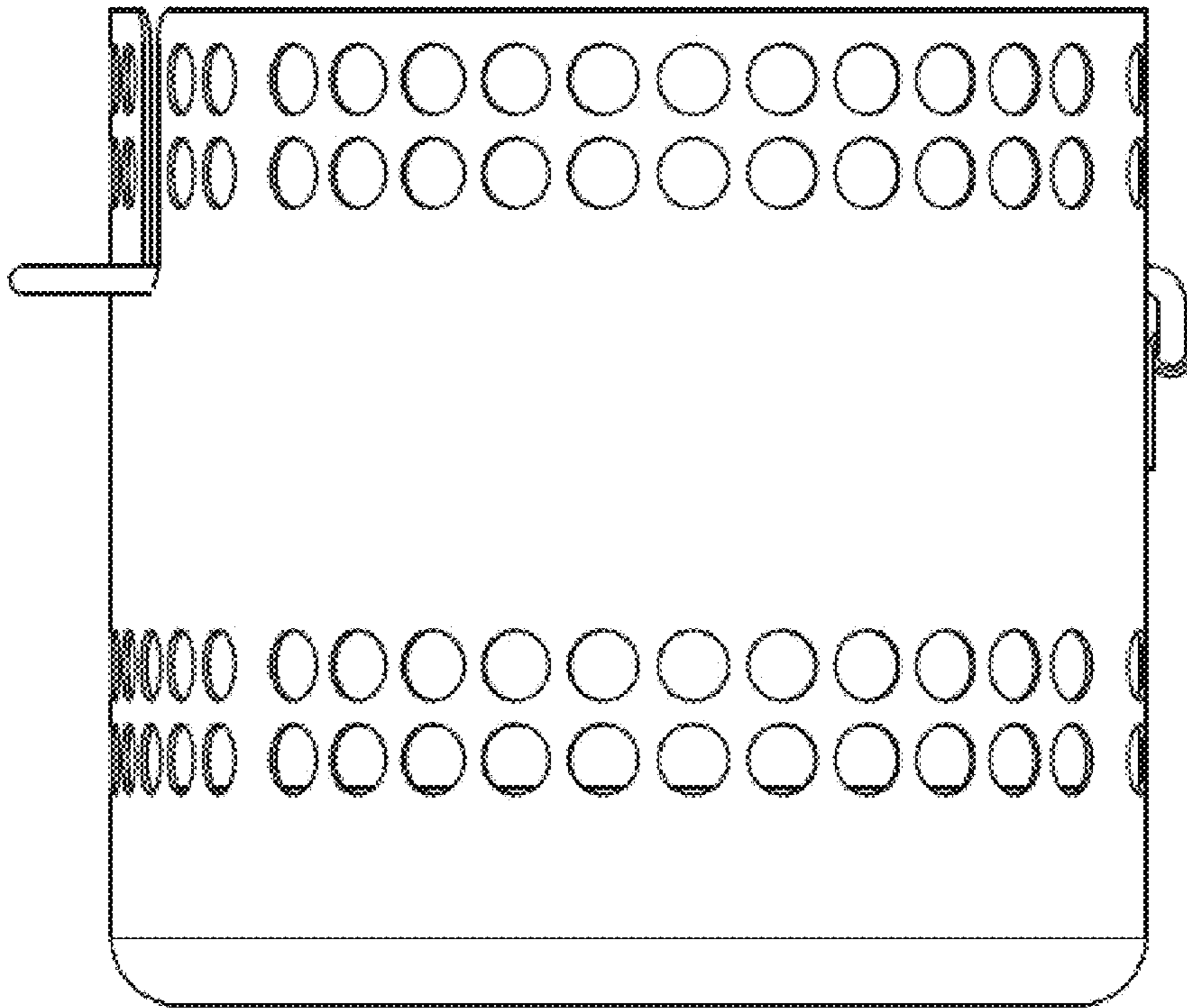


FIG. 5

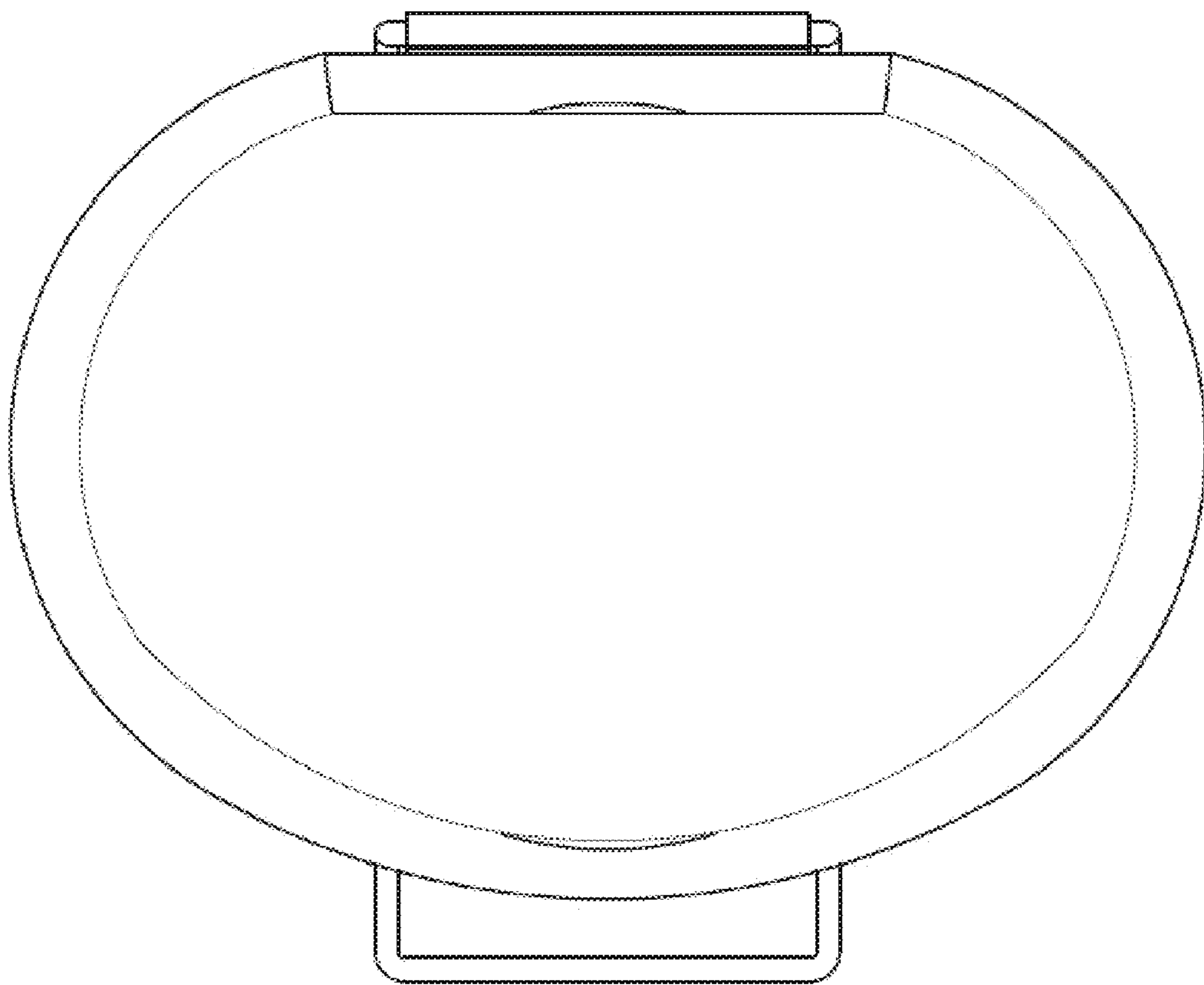


FIG. 6

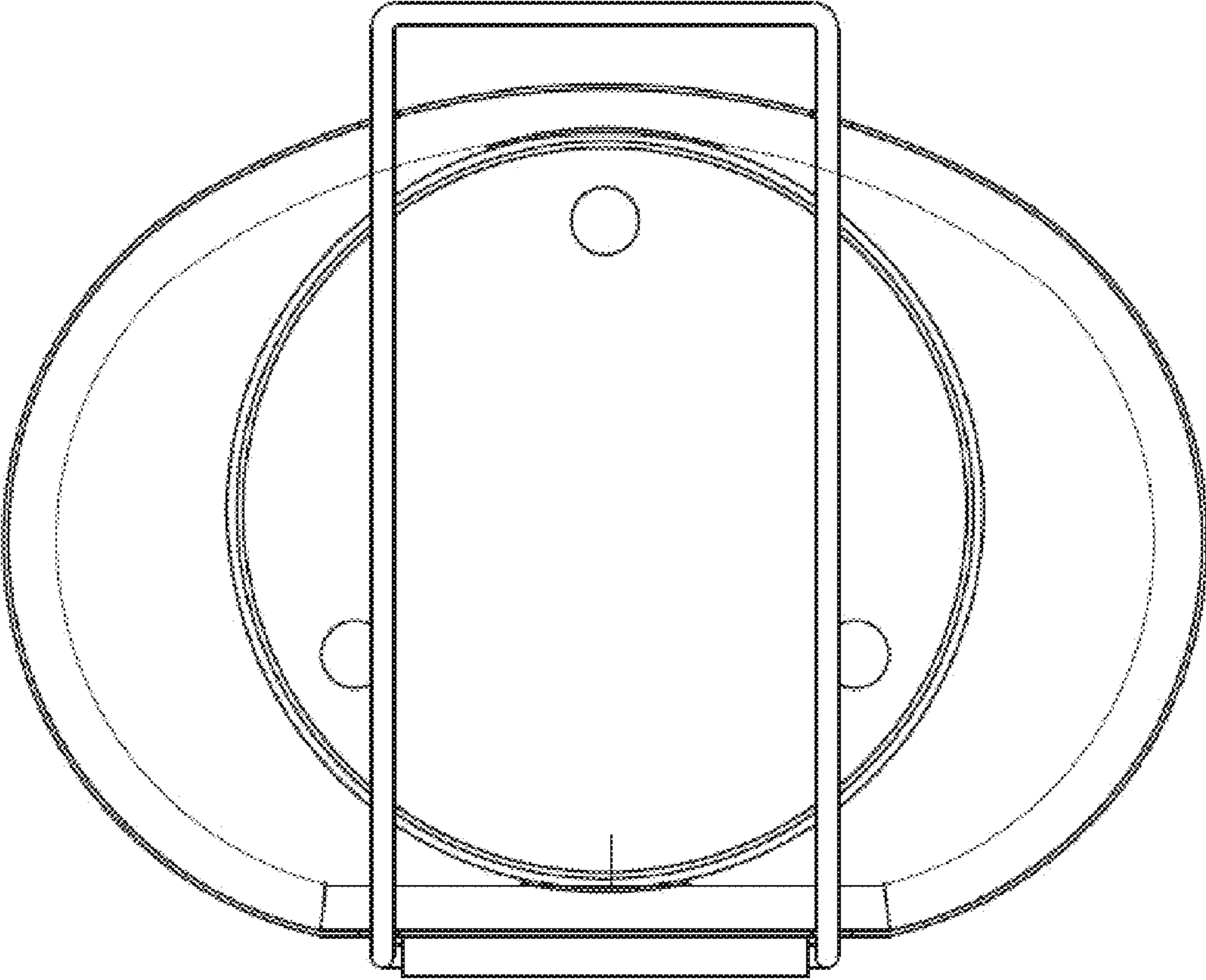


FIG. 7