



US00D752912S

(12) **United States Design Patent**
Venot et al.

(10) **Patent No.:** **US D752,912 S**
(45) **Date of Patent:** **** Apr. 5, 2016**

- (54) **PAN SET**
- (71) Applicant: **MASTRAD, S.A.**, Paris (FR)
- (72) Inventors: **Marc Venot**, Saint Ouen (FR); **Mathieu Lion**, Paris (FR)
- (73) Assignee: **MASTRAD, S.A.**, Paris (FR)
- (**) Term: **14 Years**
- (21) Appl. No.: **29/499,895**
- (22) Filed: **Aug. 19, 2014**
- (30) **Foreign Application Priority Data**

Mar. 28, 2014 (EM) 002435016-0001

- (51) **LOC (10) Cl.** **07-02**
- (52) **U.S. Cl.**
USPC **D7/356**; D7/354; D7/360
- (58) **Field of Classification Search**
USPC D7/323, 354-363, 391, 393-396, 409,
D7/542, 545
CPC A47G 19/12; A47J 27/00; A47J 27/002;
A47J 27/08; A47J 27/21; A47J 27/58; A47J
36/025; A47J 36/06; A47J 36/12; A47J 37/00;
A47J 37/10; A47J 37/101; A47J 37/103;
A47J 37/12; A47J 37/1204; A47J 45/061;
A47J 45/065; A47J 45/068; A47J 45/071;
A47J 45/08; H05B 6/12
See application file for complete search history.

(56) **References Cited**

U.S. PATENT DOCUMENTS

- D230,459 S * 2/1974 Gulotta D7/360
- D295,819 S * 5/1988 Mercadante D7/360
- D427,483 S * 7/2000 Geelen D7/360
- D530,564 S * 10/2006 Chiba D7/360
- D534,031 S * 12/2006 Roussard D7/358
- D577,549 S * 9/2008 Plante D7/538
- 7,571,675 B1 * 8/2009 Cappadona A47J 45/068
220/203.06

- D634,583 S * 3/2011 Bernardaud D7/538
- D667,273 S * 9/2012 Henry D7/542
- D667,680 S * 9/2012 Bock D7/354
- D677,517 S * 3/2013 Dichraff D7/354
- D703,994 S * 5/2014 Tumenbatur D7/358
- 2005/0145615 A1 * 7/2005 Schaffeld A47J 45/065
219/440

* cited by examiner

Primary Examiner — Ricky Pham

(74) *Attorney, Agent, or Firm* — Novak Druce Connolly Bove + Quigg LLP

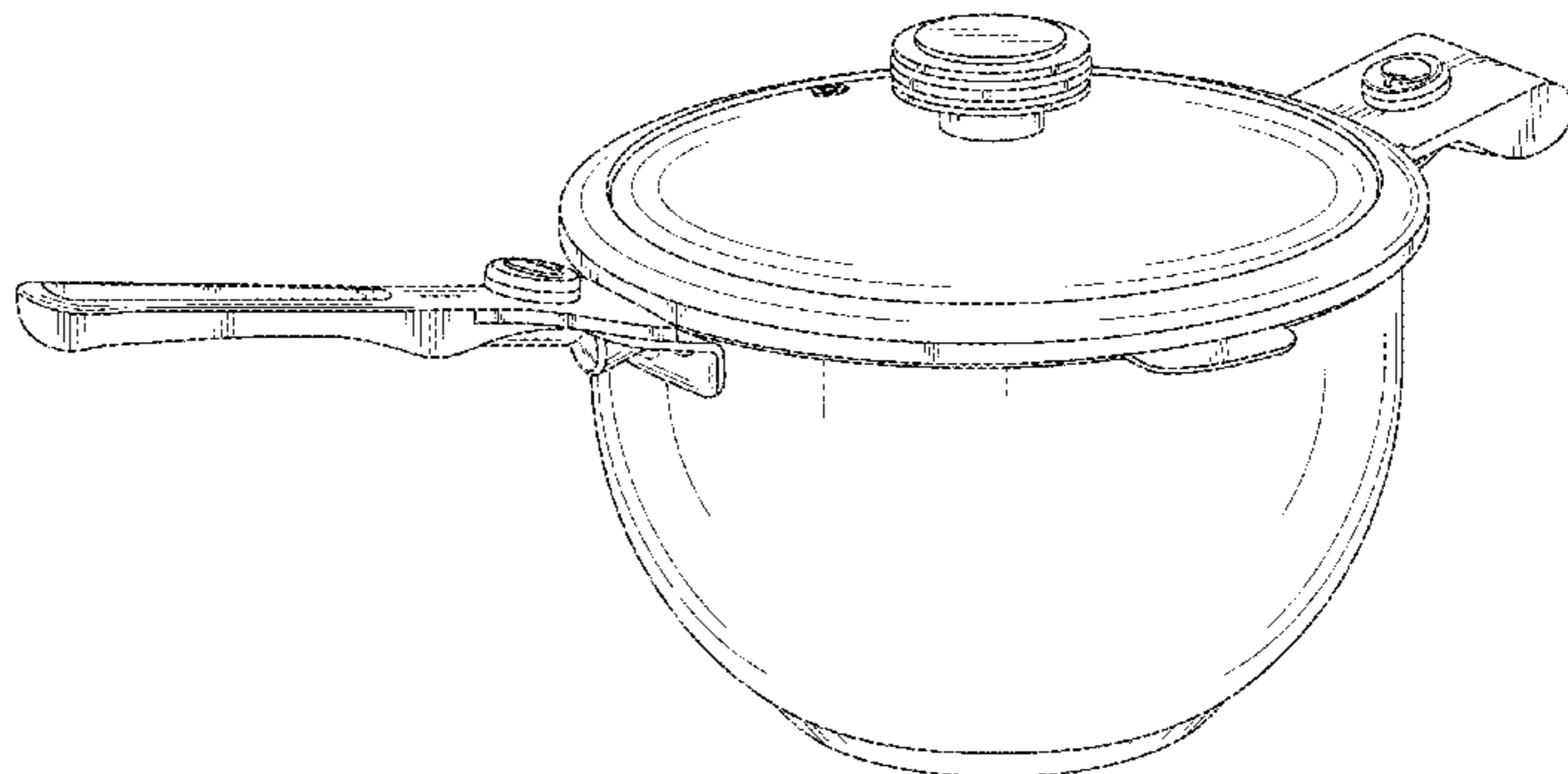
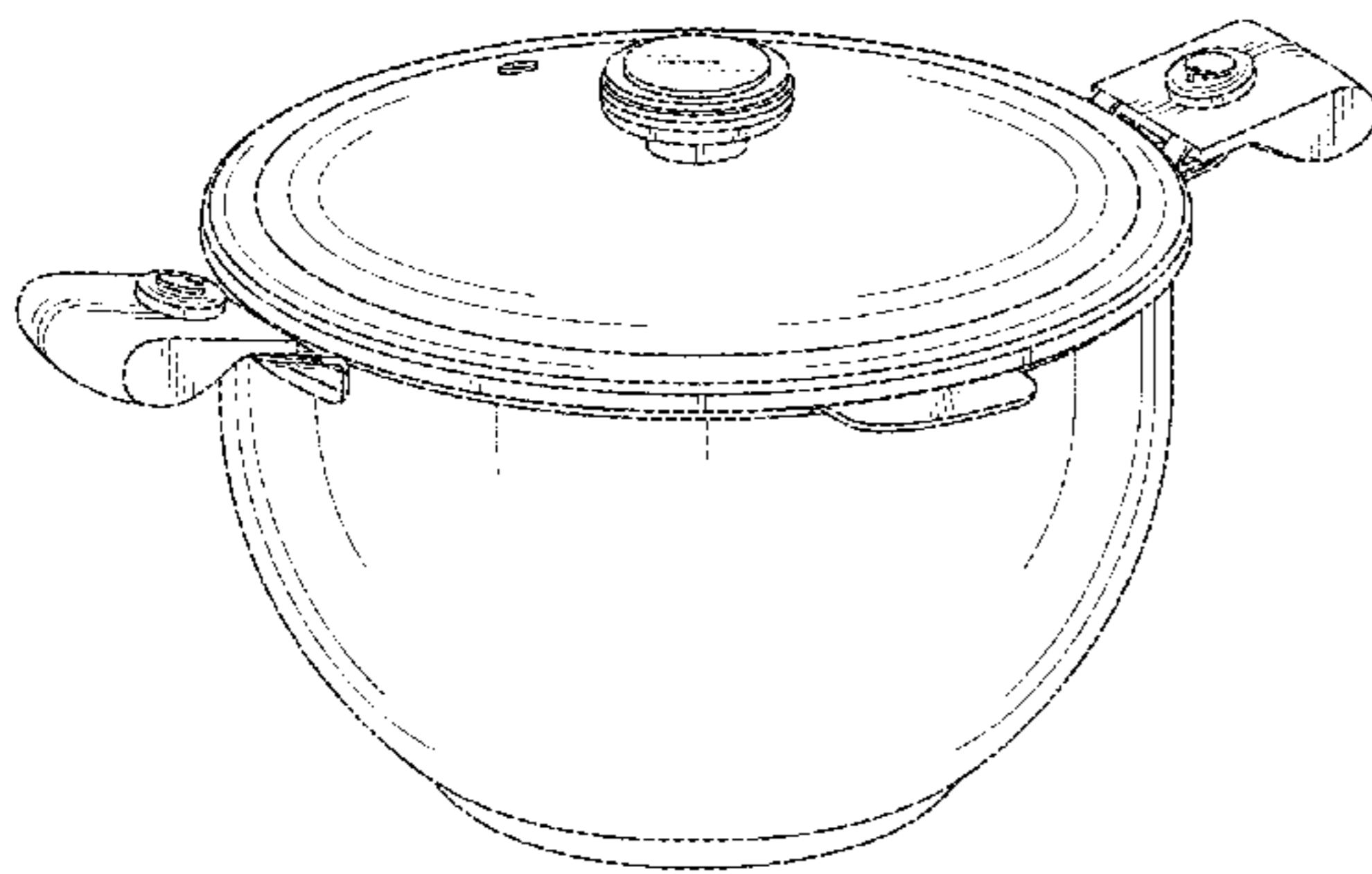
(57) **CLAIM**

The ornamental design for a pan set, as shown and described.

DESCRIPTION

FIG. 1 is a front view of the configuration with two grips of the pan set;
 FIG. 2 is a top view of the configuration with two grips of the pan set;
 FIG. 3 is a left side view of the configuration with two grips of the pan set, the right side being a mirror image thereof;
 FIG. 4 is a bottom view of the configuration with two grips of the pan set;
 FIG. 5 is a perspective view of the configuration with two grips of the pan set;
 FIG. 6 is an exploded assembly perspective view illustrating the environment in phantom and providing a dashed line to delineate the extent of the design;
 FIG. 7 is a top view of the configuration with one grip and one handle of the pan set;
 FIG. 8 is back view of the configuration with one grip and one handle of the pan set; and,
 FIG. 9 is a perspective view of the configuration with one grip and one handle of the pan set.
 The underside of the lid does not form part of the design.
 The broken lines shown in the drawings are for illustrative purposes only and form no part of the claimed design.

1 Claim, 9 Drawing Sheets



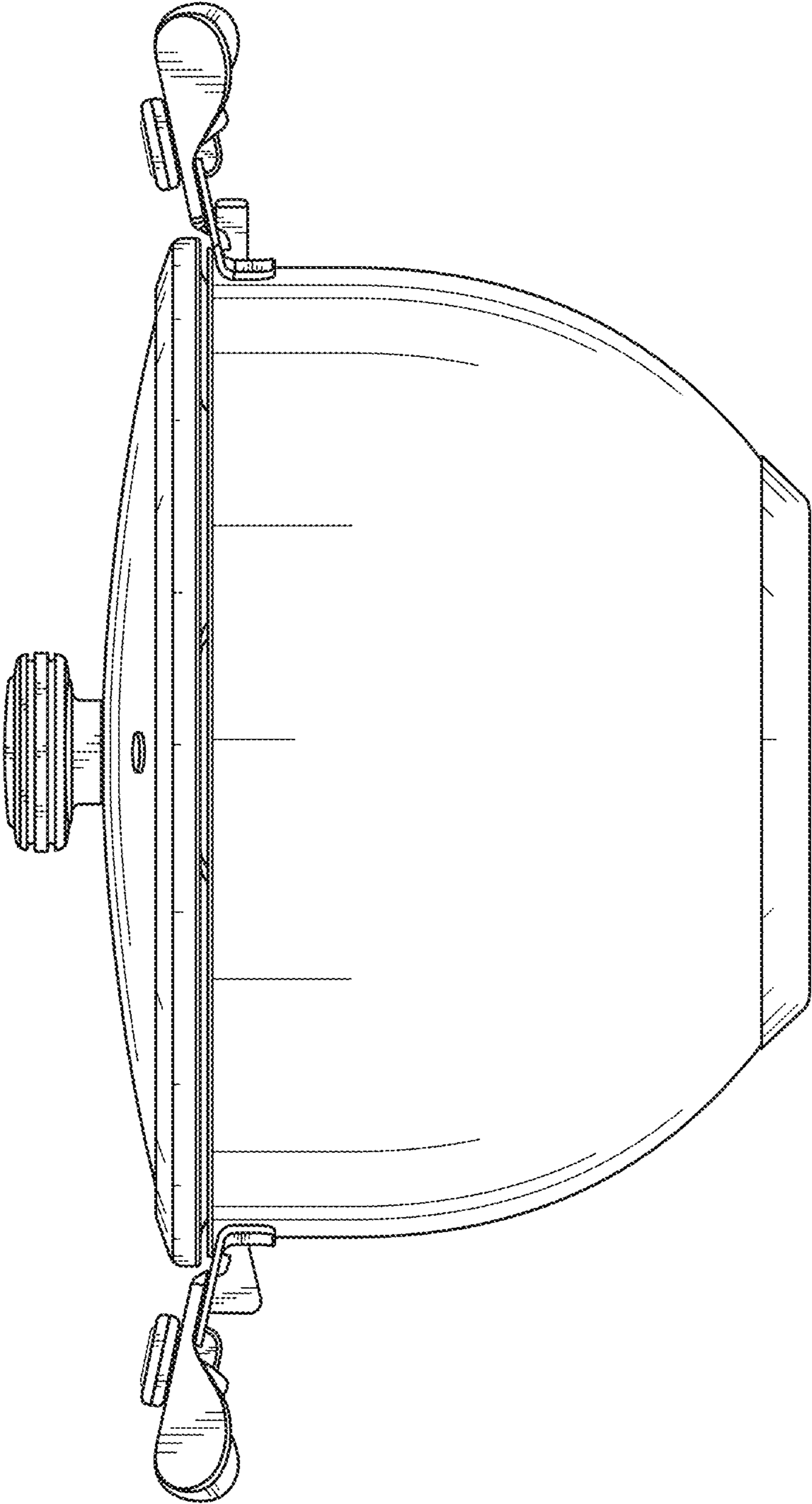


FIG. 1

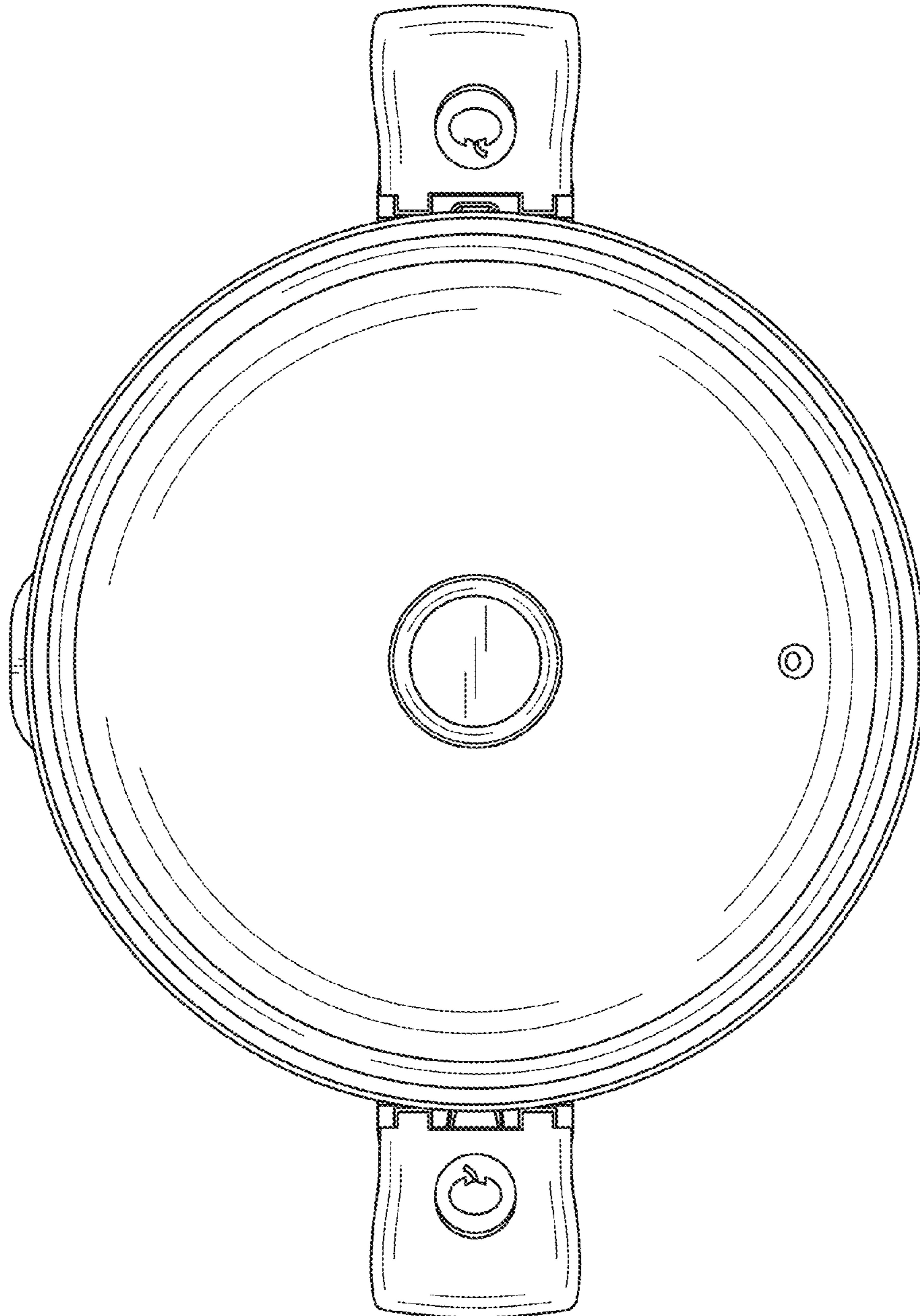


FIG. 2

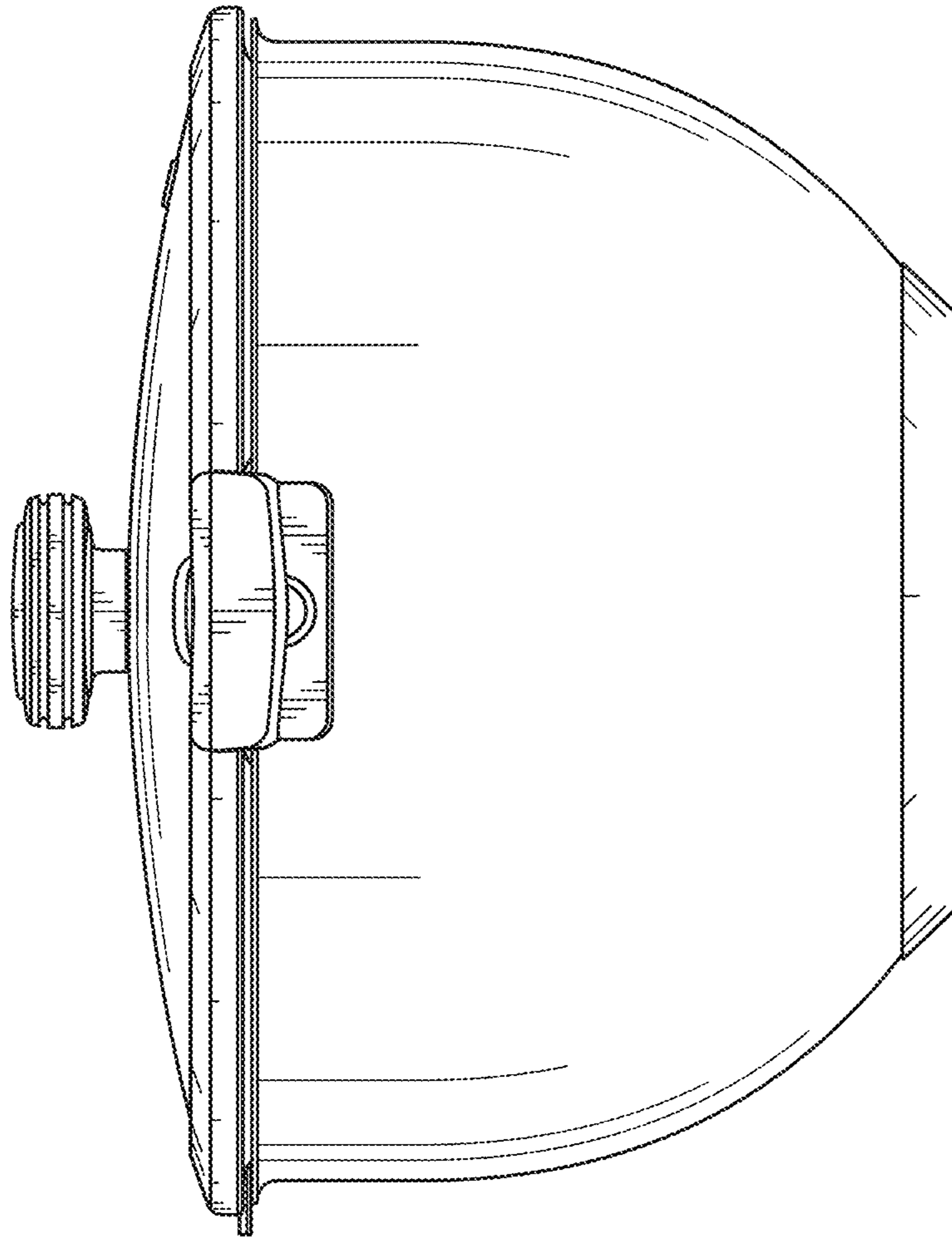


FIG. 3

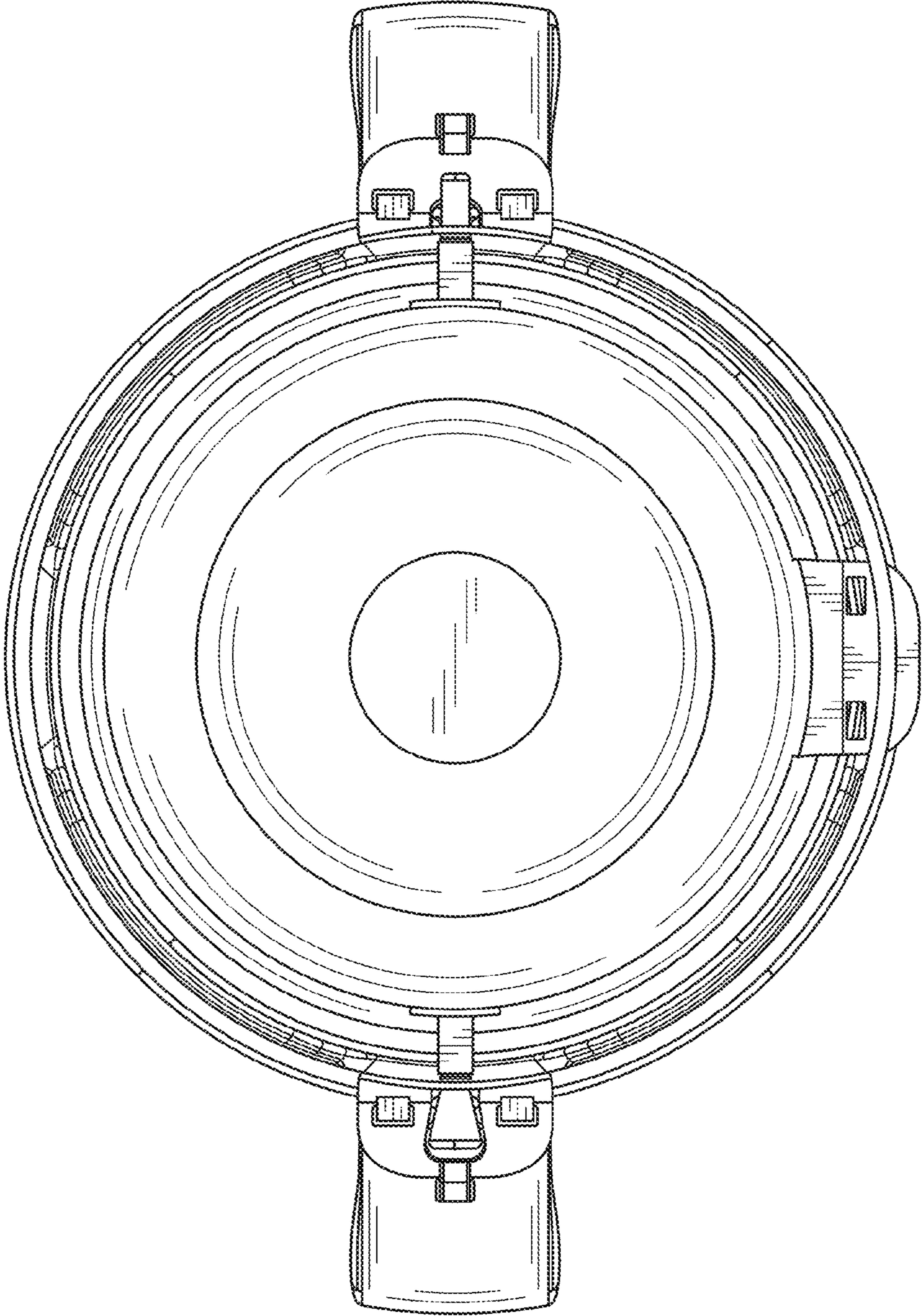


FIG. 4

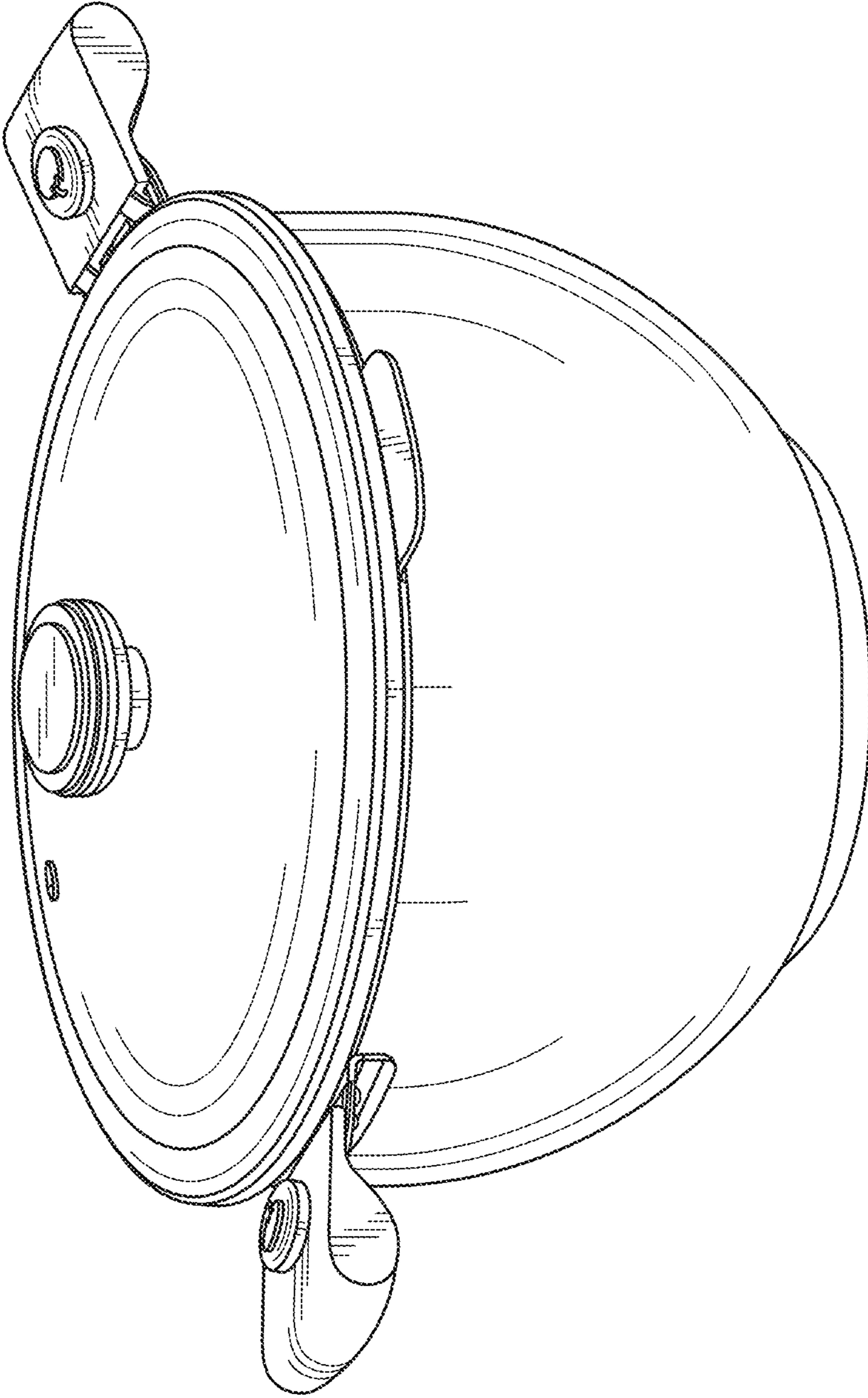


FIG. 5

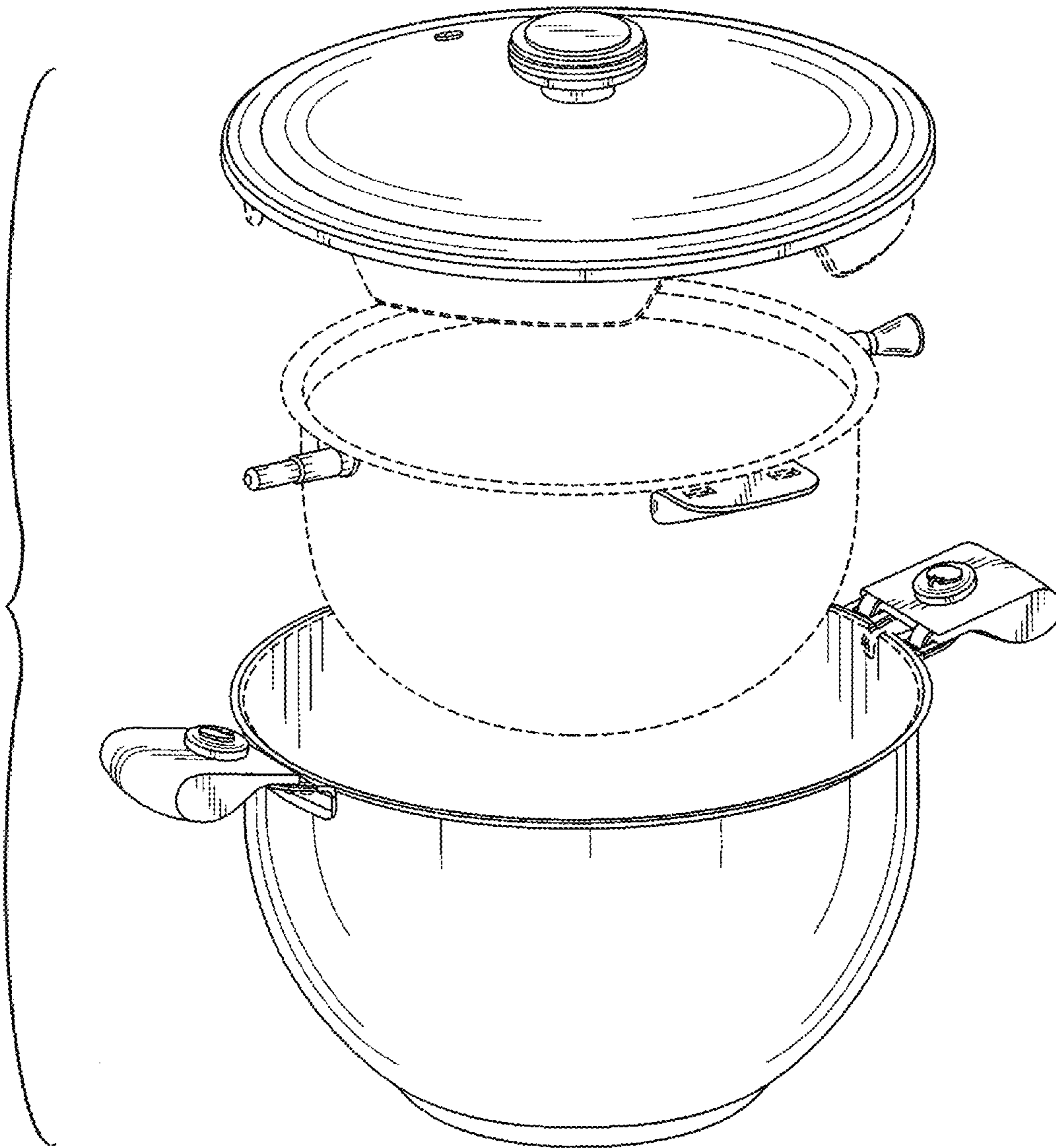


FIG. 6

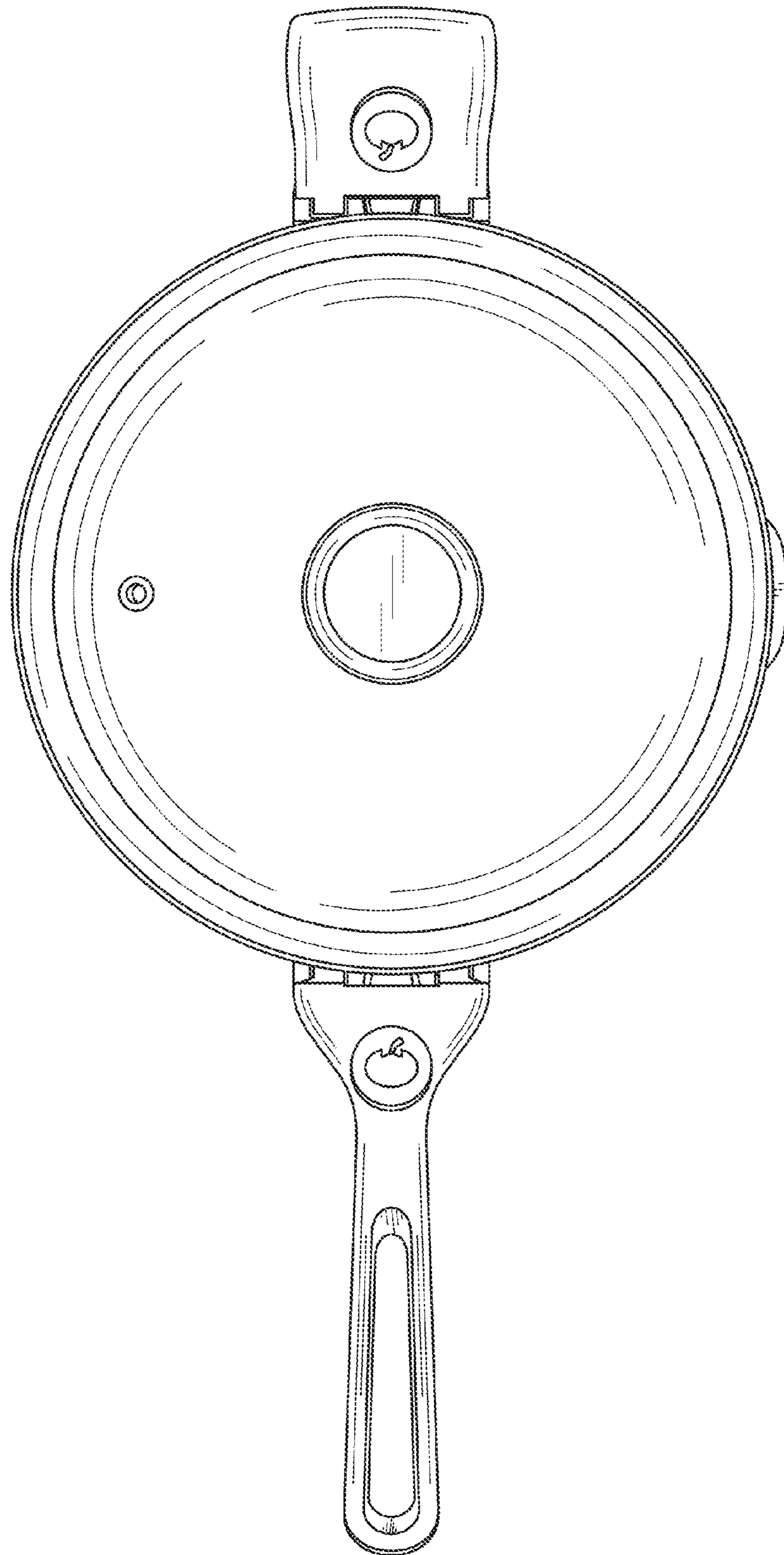


FIG. 7

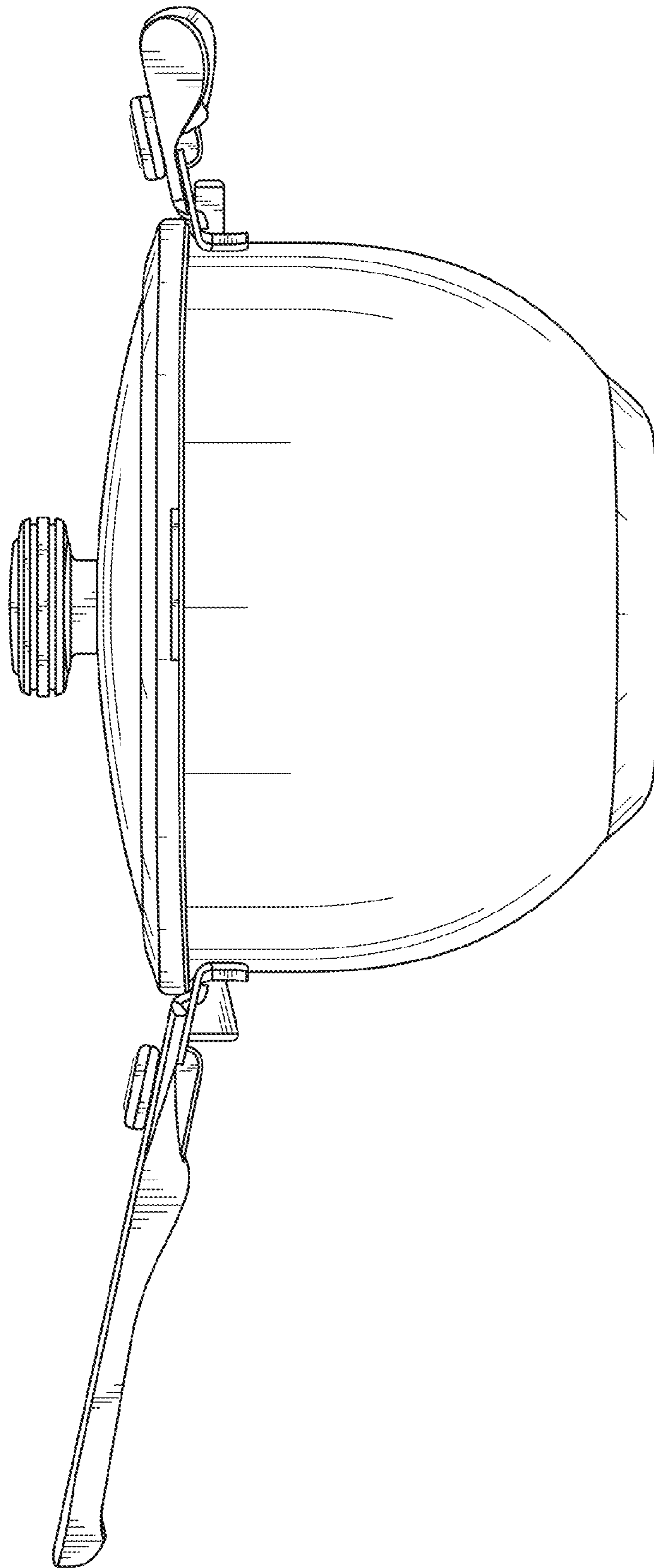


FIG. 8

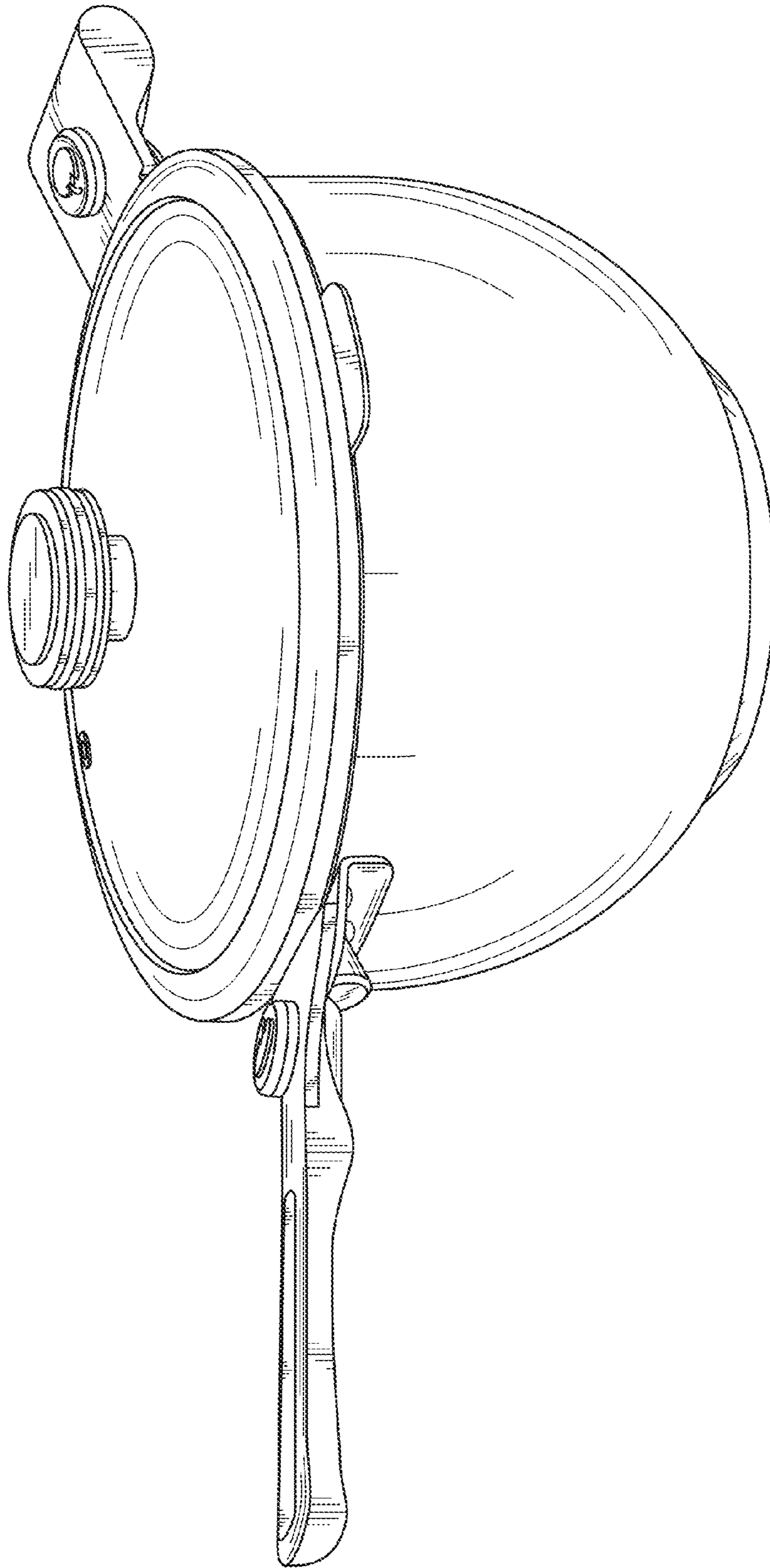


FIG. 9