



US00D752911S

(12) **United States Design Patent**
Bazzicalupo et al.

(10) **Patent No.:** **US D752,911 S**
(45) **Date of Patent:** **** Apr. 5, 2016**

(54) **KETTLE**

(71) Applicant: **SMEG S.p.A.**, Guastalla (IT)

(72) Inventors: **Leopoldo Bazzicalupo**, Iseo (IT);
Raffaella Mangiarotti, Milan (IT)

(73) Assignee: **SMEG S.P.A.** (IT)

(**) Term: **14 Years**

(21) Appl. No.: **29/504,083**

(22) Filed: **Oct. 1, 2014**

(30) **Foreign Application Priority Data**

Apr. 2, 2014 (EM) 002438473

(51) **LOC (10) Cl.** **07-01**

(52) **U.S. Cl.**

USPC **D7/321; D7/317; D7/322; D7/318**

(58) **Field of Classification Search**

USPC D7/300, 316-319, 598, 600, 500, 505,
D7/321, 322, 305, 510, 511; D23/207,
D23/209; 222/144.5, 109; 219/209, 731;
99/300, 303, 307, 285, 323.3; 210/237,
210/474; D10/46.2

CPC B01D 35/027; A47G 19/22; A47G 19/14;
A47G 31/005; A47G 19/12; A47J 43/44;
A47J 31/00; A47J 36/14; A47J 31/10; C02F
1/003; H04B 10/801; B01F 11/00

See application file for complete search history.

(56) **References Cited**

U.S. PATENT DOCUMENTS

D390,743	S	*	2/1998	Saltet	D7/317
D399,090	S	*	10/1998	Green	D7/318
D439,466	S	*	3/2001	Bouhuys	D7/318
D562,053	S	*	2/2008	Cohen	D7/317
D599,161	S	*	9/2009	Friel, Sr.	D7/317

(Continued)

Primary Examiner — Marianne Pandozzi

(74) *Attorney, Agent, or Firm* — The Belles Group, P.C.

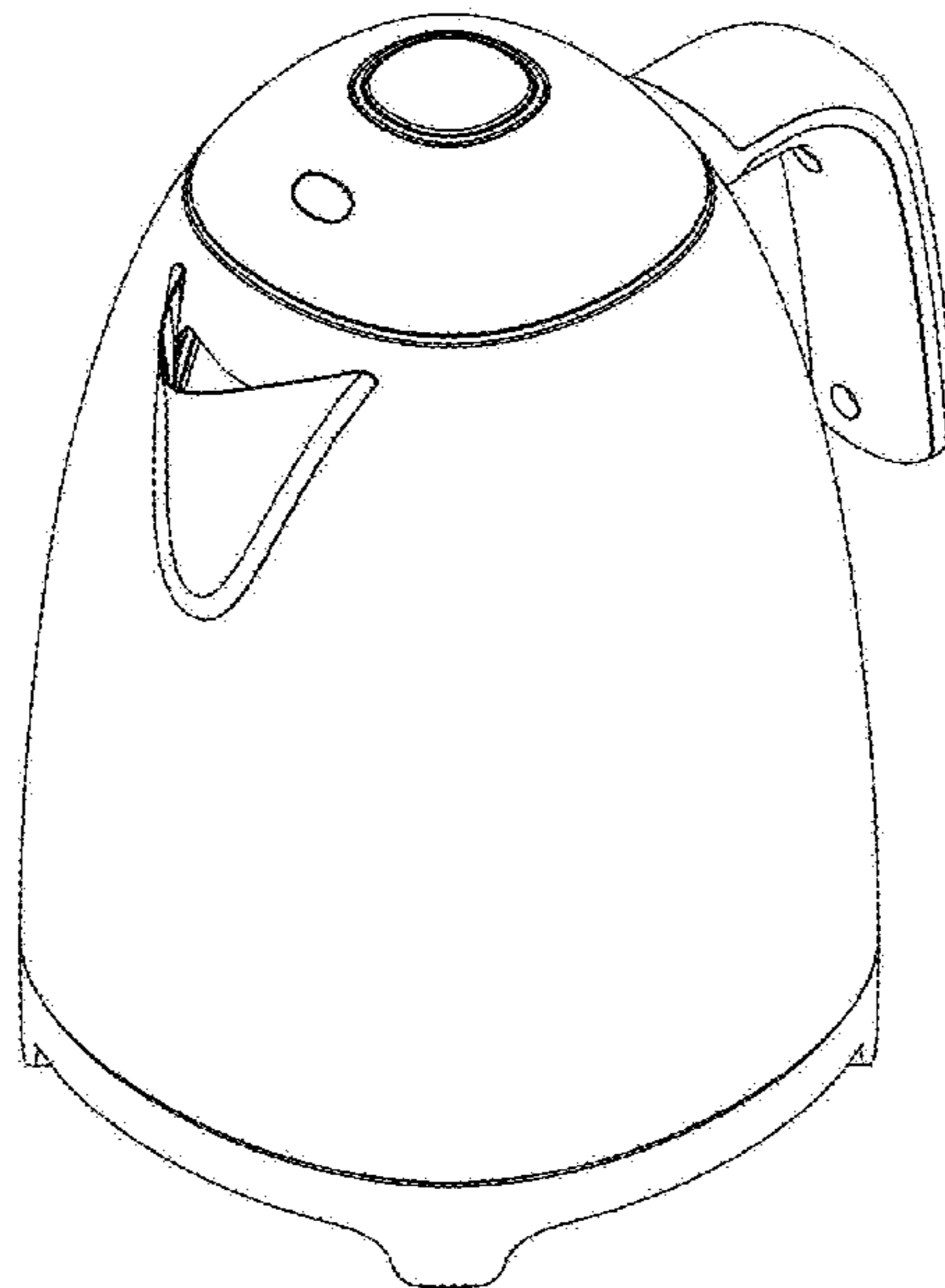
(57) **CLAIM**

We claim the ornamental design for a kettle, as shown and described.

DESCRIPTION

FIG. 1 is a front perspective view of a kettle in accordance with a first embodiment of the present invention;
FIG. 2 is a rear perspective view of the kettle of FIG. 1;
FIG. 3 is a front elevation view of the kettle of FIG. 1;
FIG. 4 is a left-side elevation view of the kettle of FIG. 1, the left-side view being a mirrored view of a right-side elevation view of the kettle of FIG. 1;
FIG. 5 is a rear elevation view of the kettle of FIG. 1;
FIG. 6 is a top plan view of the kettle of FIG. 1;
FIG. 7 is a bottom plan view of the kettle of FIG. 1;
FIG. 8 is a front perspective view of a kettle in accordance with a second embodiment of the present invention;
FIG. 9 is a rear perspective view of the kettle of FIG. 8;
FIG. 10 is a front elevation view of the kettle of FIG. 8;
FIG. 11 is a left-side elevation view of the kettle of FIG. 8, the left-side view being a mirrored view of a right-side elevation view of the kettle of FIG. 8;
FIG. 12 is a rear elevation view of the kettle of FIG. 8;
FIG. 13 is a top plan view of the kettle of FIG. 8; and,
FIG. 14 is a bottom plan view of the kettle of FIG. 8.

1 Claim, 14 Drawing Sheets



US D752,911 S

Page 2

(56)

References Cited

U.S. PATENT DOCUMENTS

D602,304 S	*	10/2009	Elissen	D7/317	
D709,724 S	*	7/2014	Mander	D7/317	* cited by examiner
D714,581 S	*	10/2014	Shao	D7/312	
D726,485 S	*	4/2015	Mullen	D7/317	
D727,675 S	*	4/2015	Garvey	D7/319	

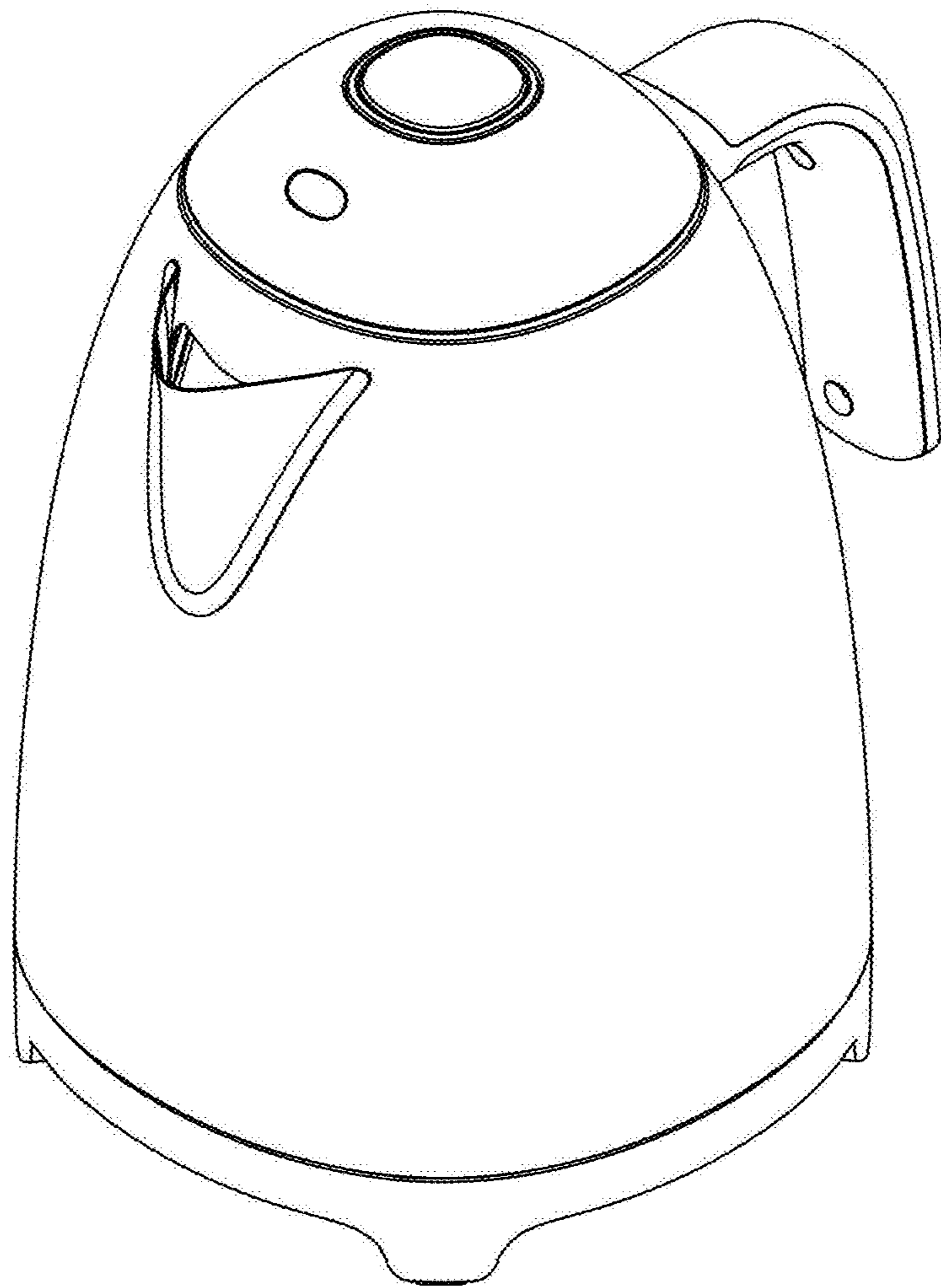


FIG. 1

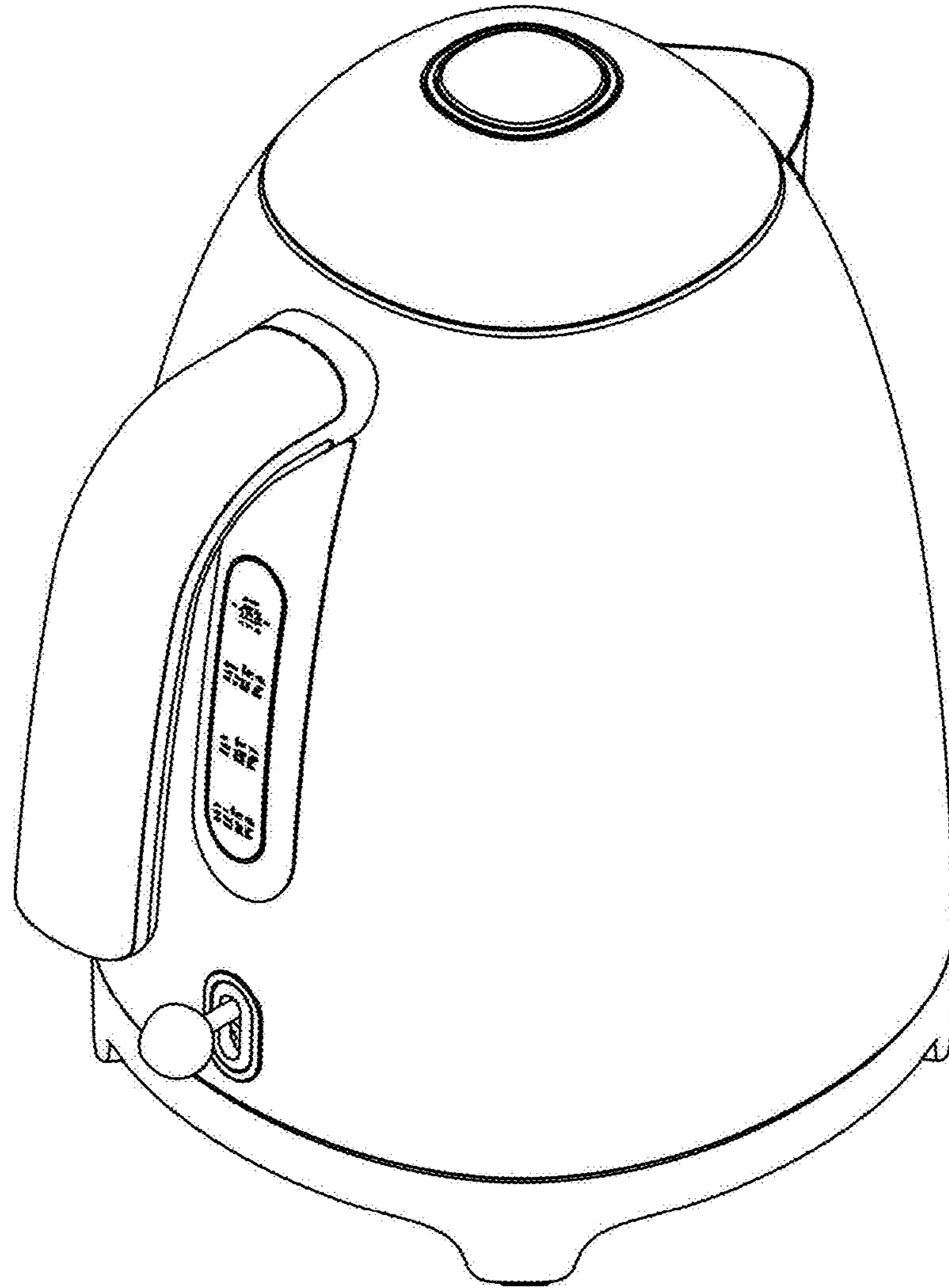


FIG. 2

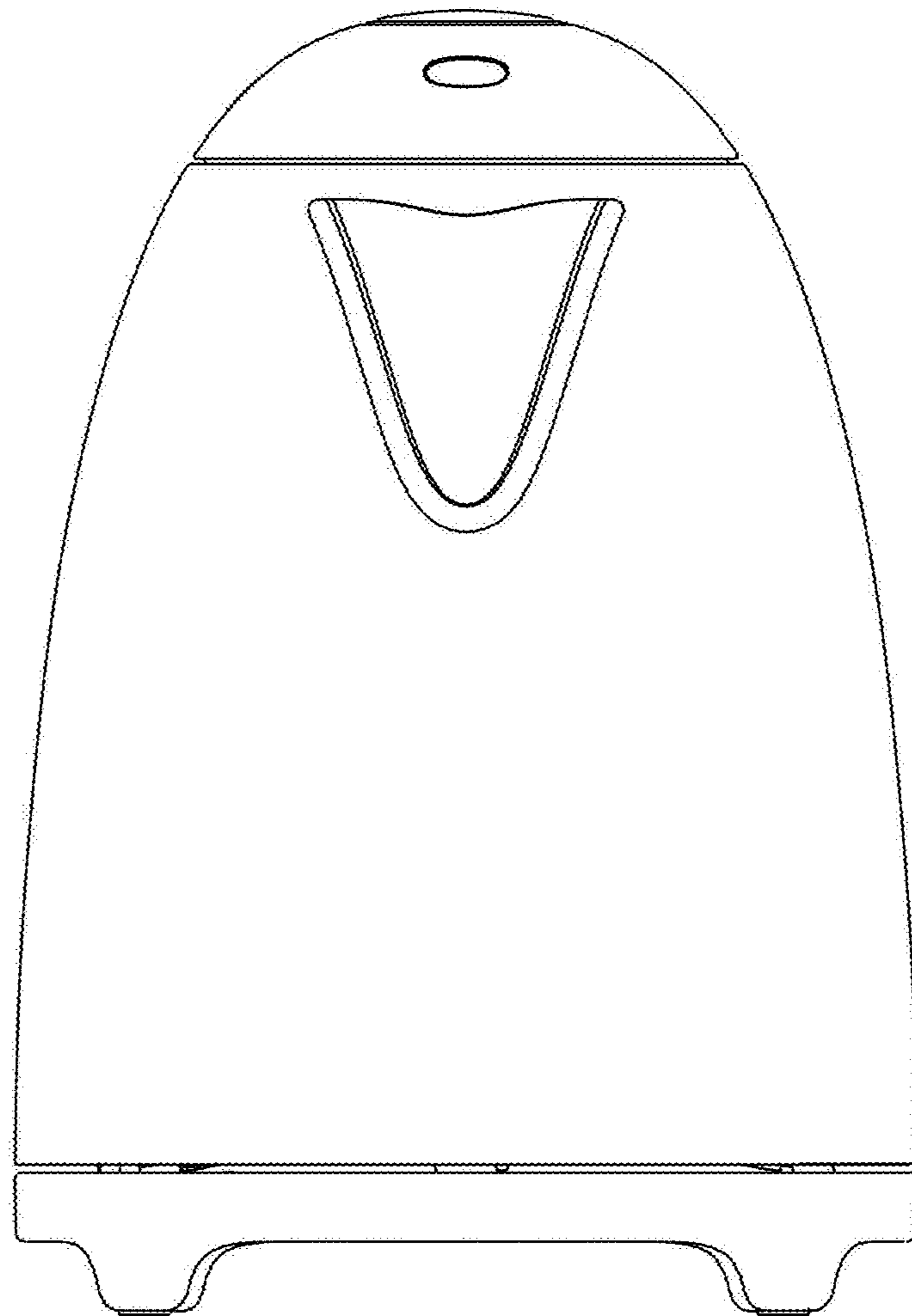


FIG. 3

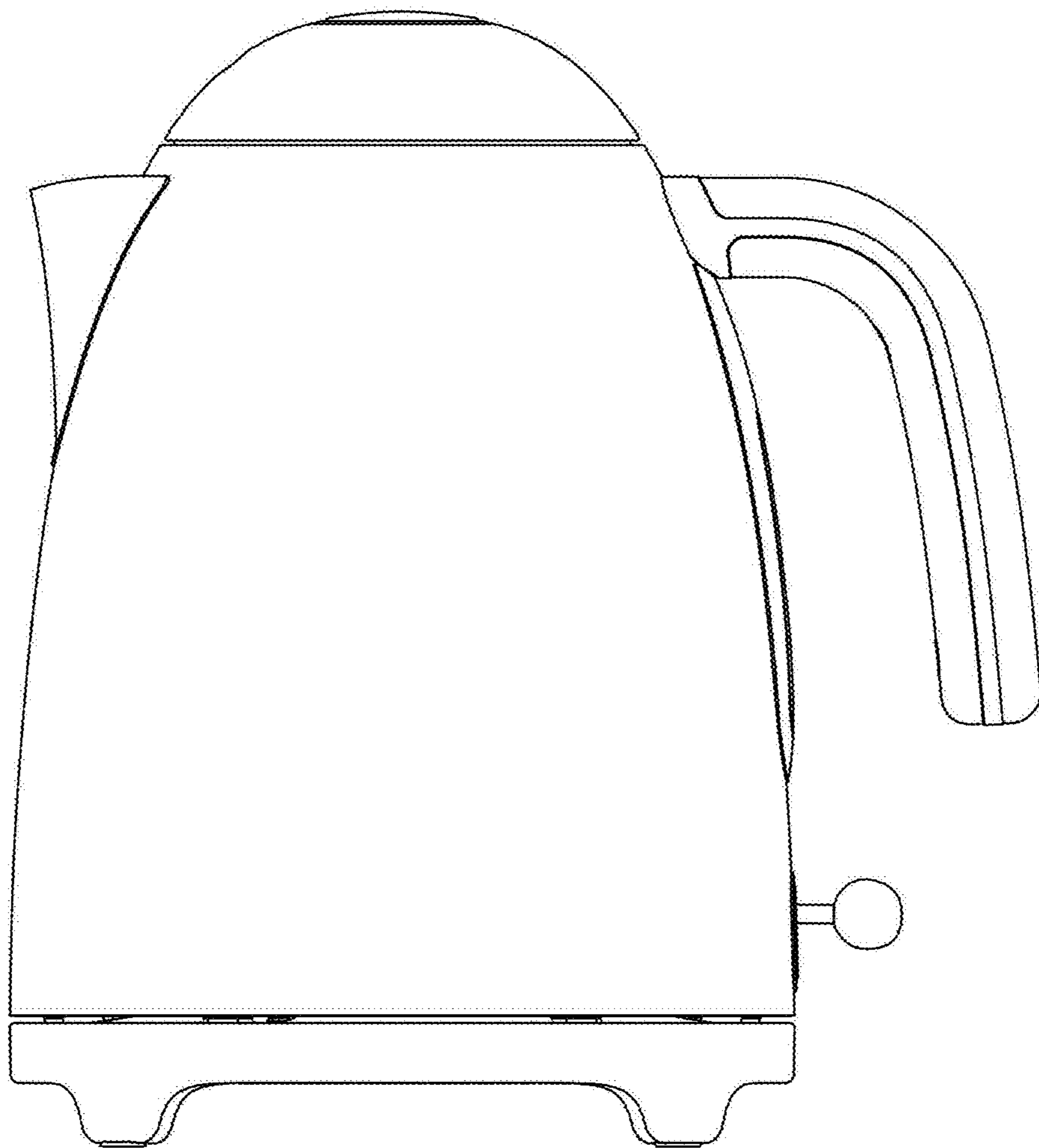


FIG. 4

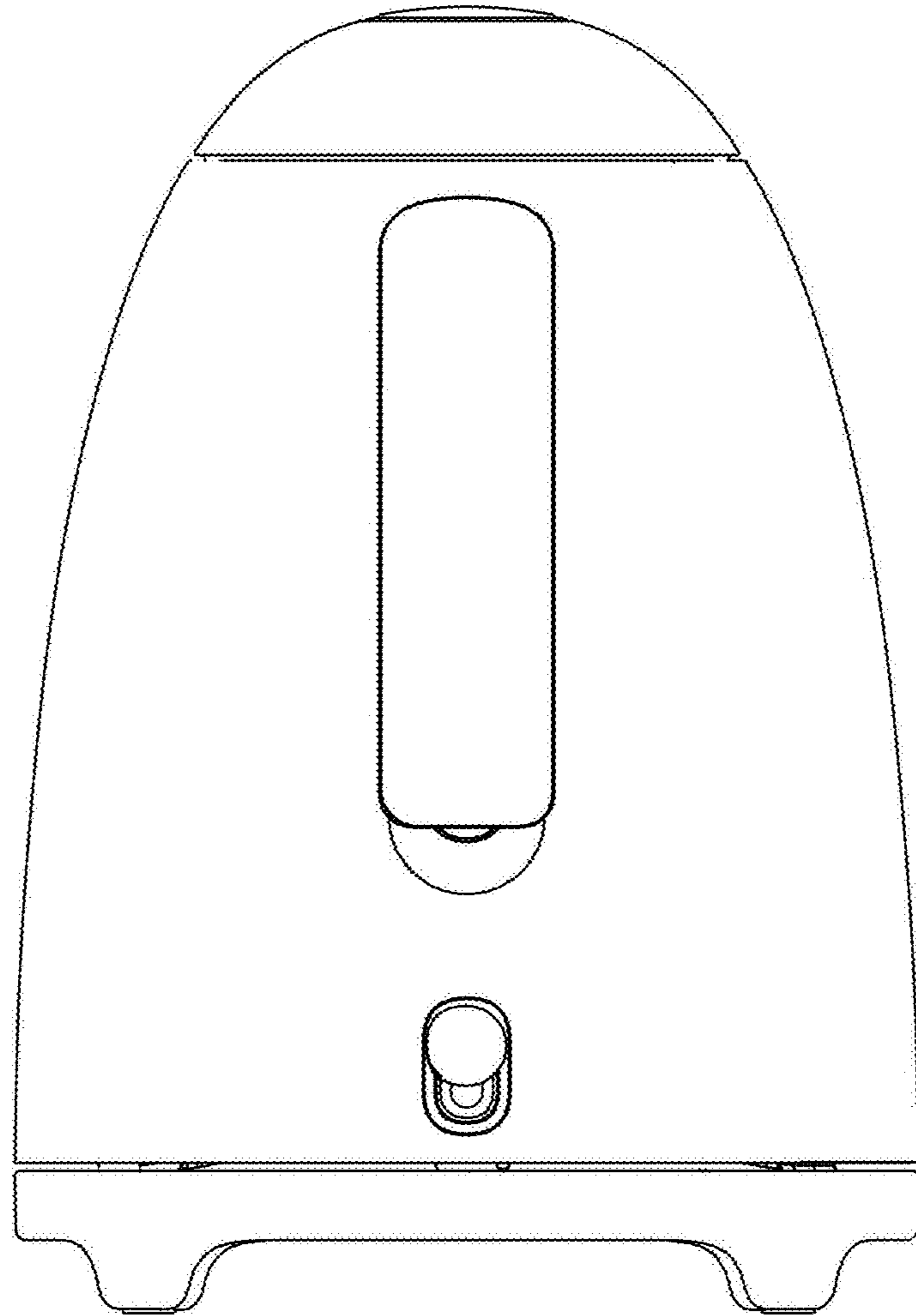


FIG. 5

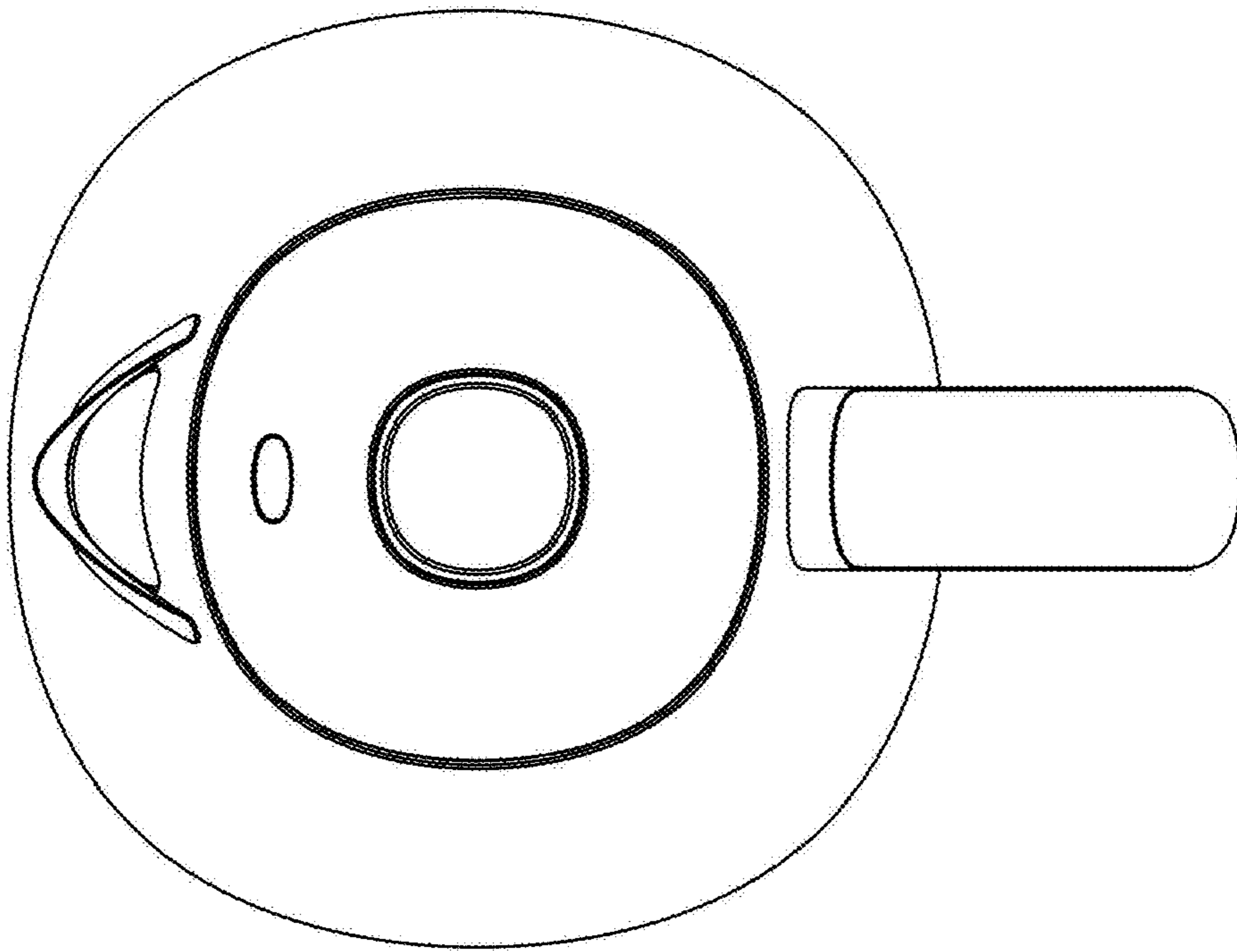


FIG. 6

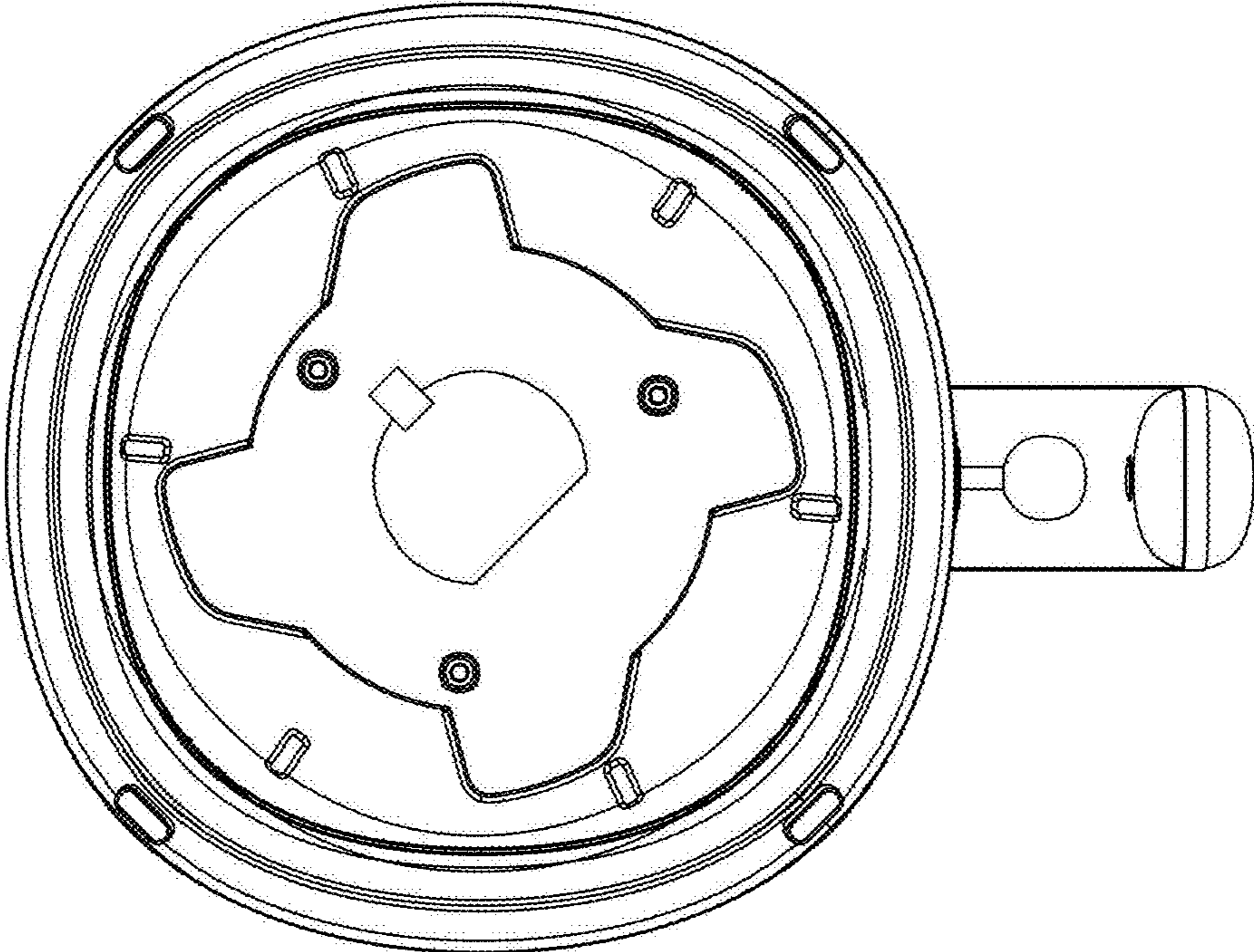


FIG. 7

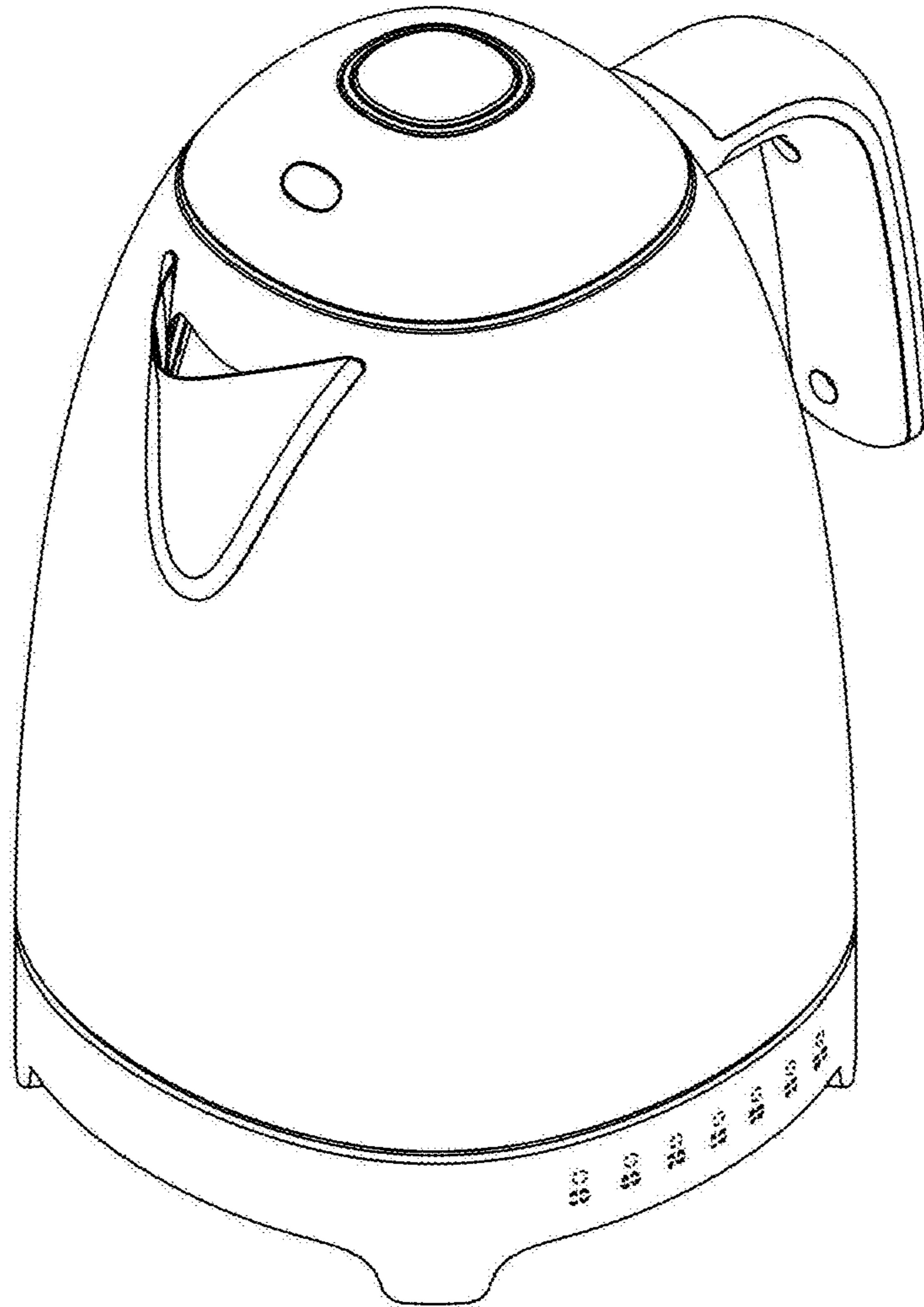


FIG. 8

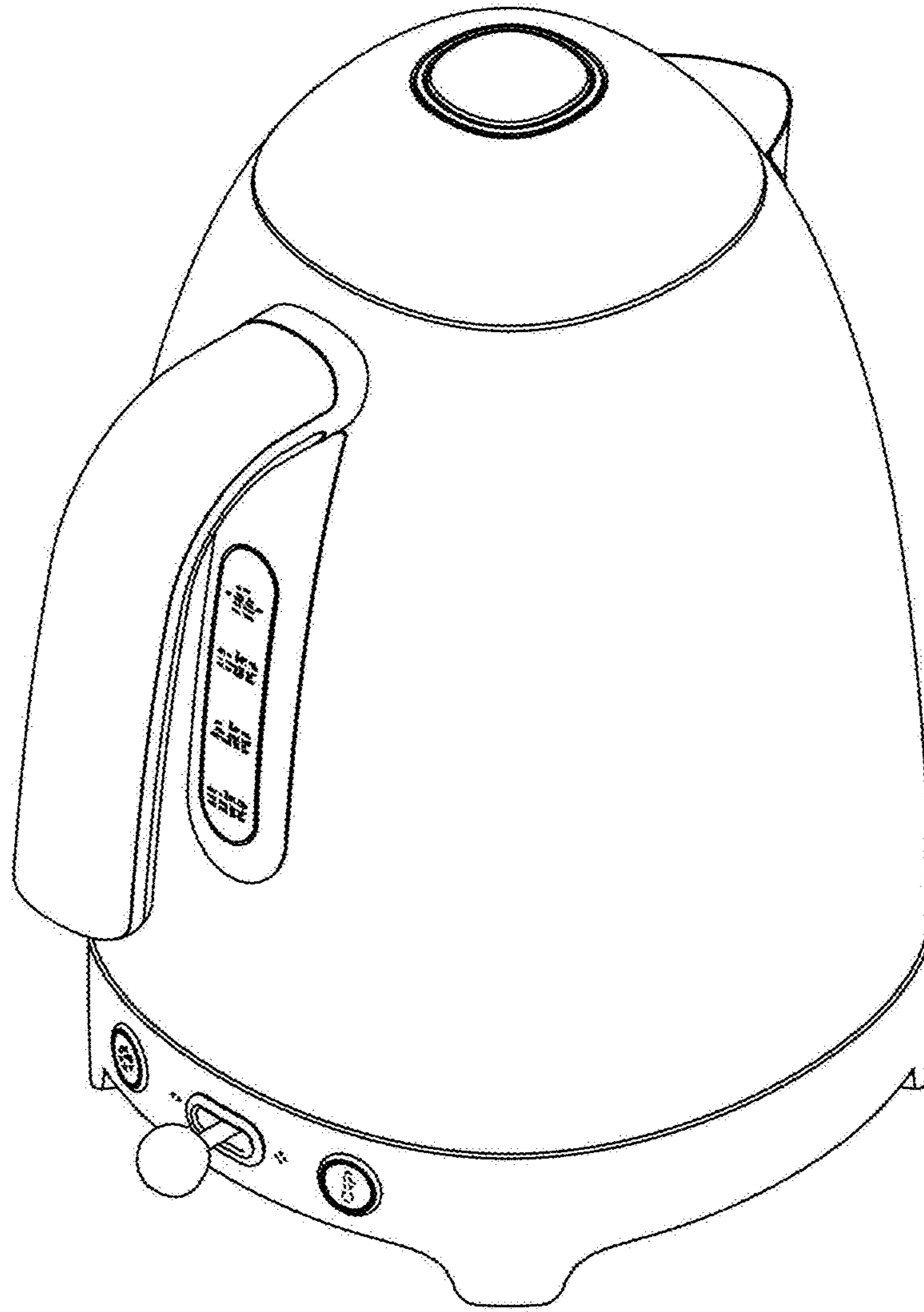


FIG. 9

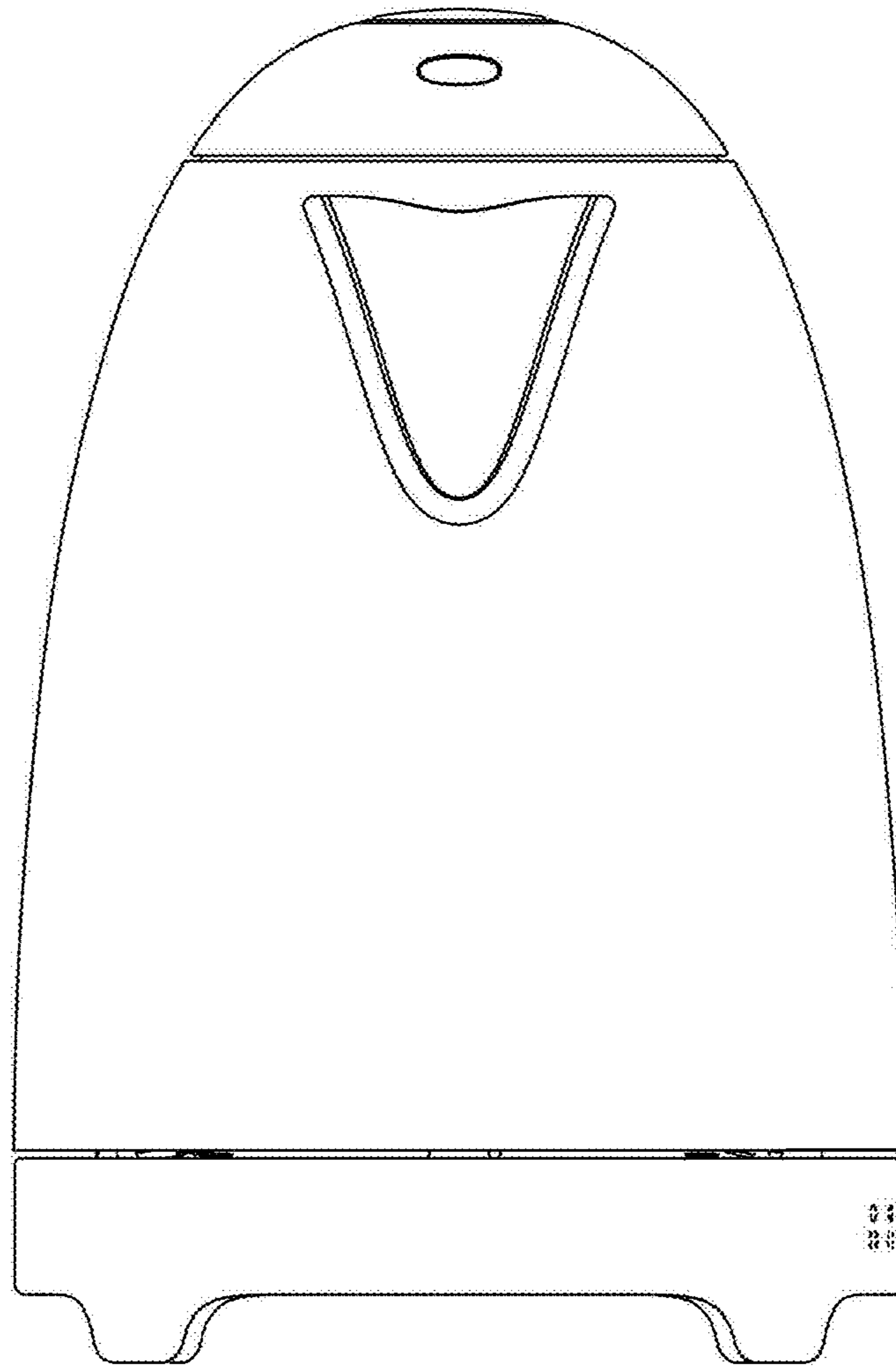


FIG. 10

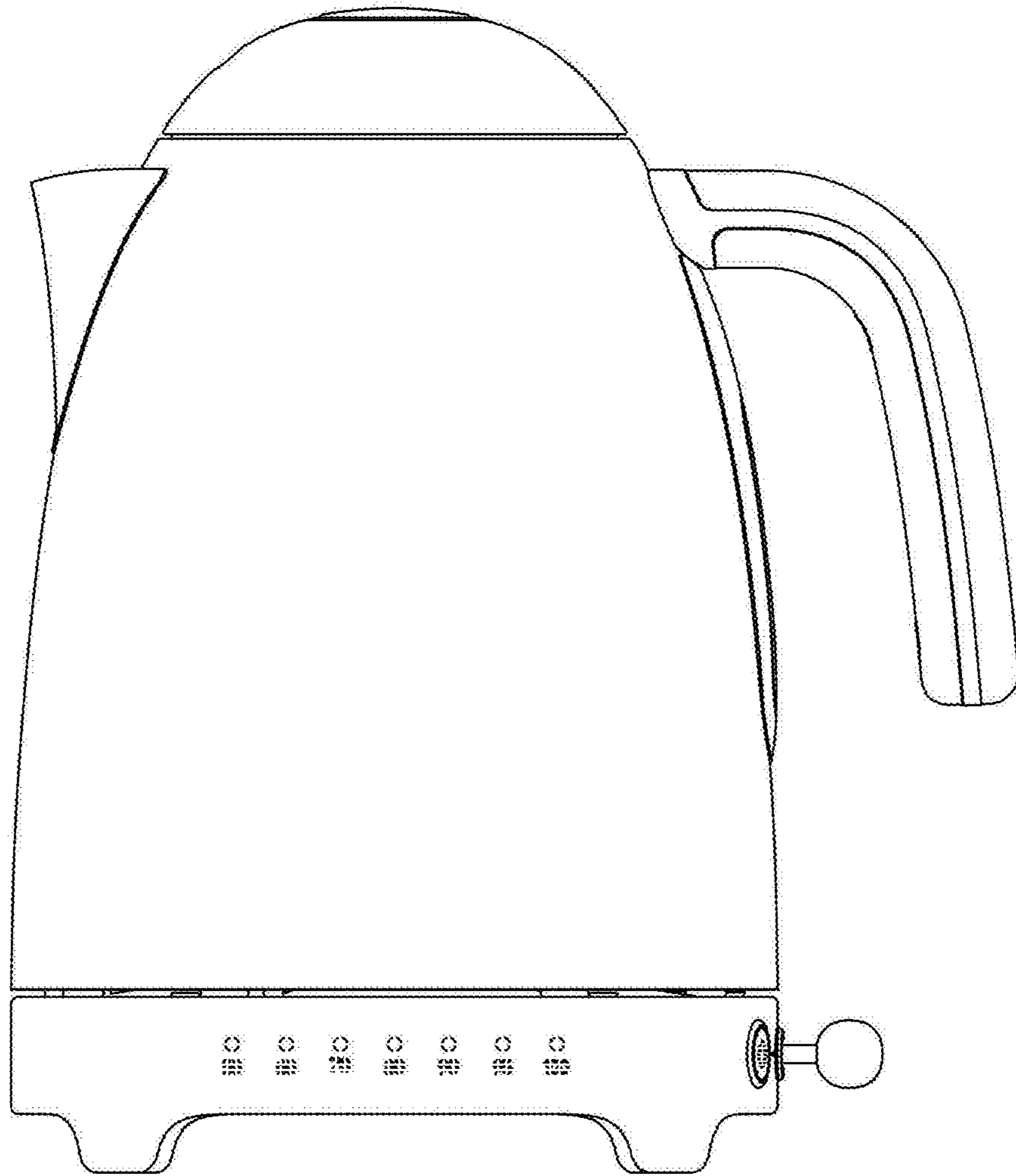


FIG. 11

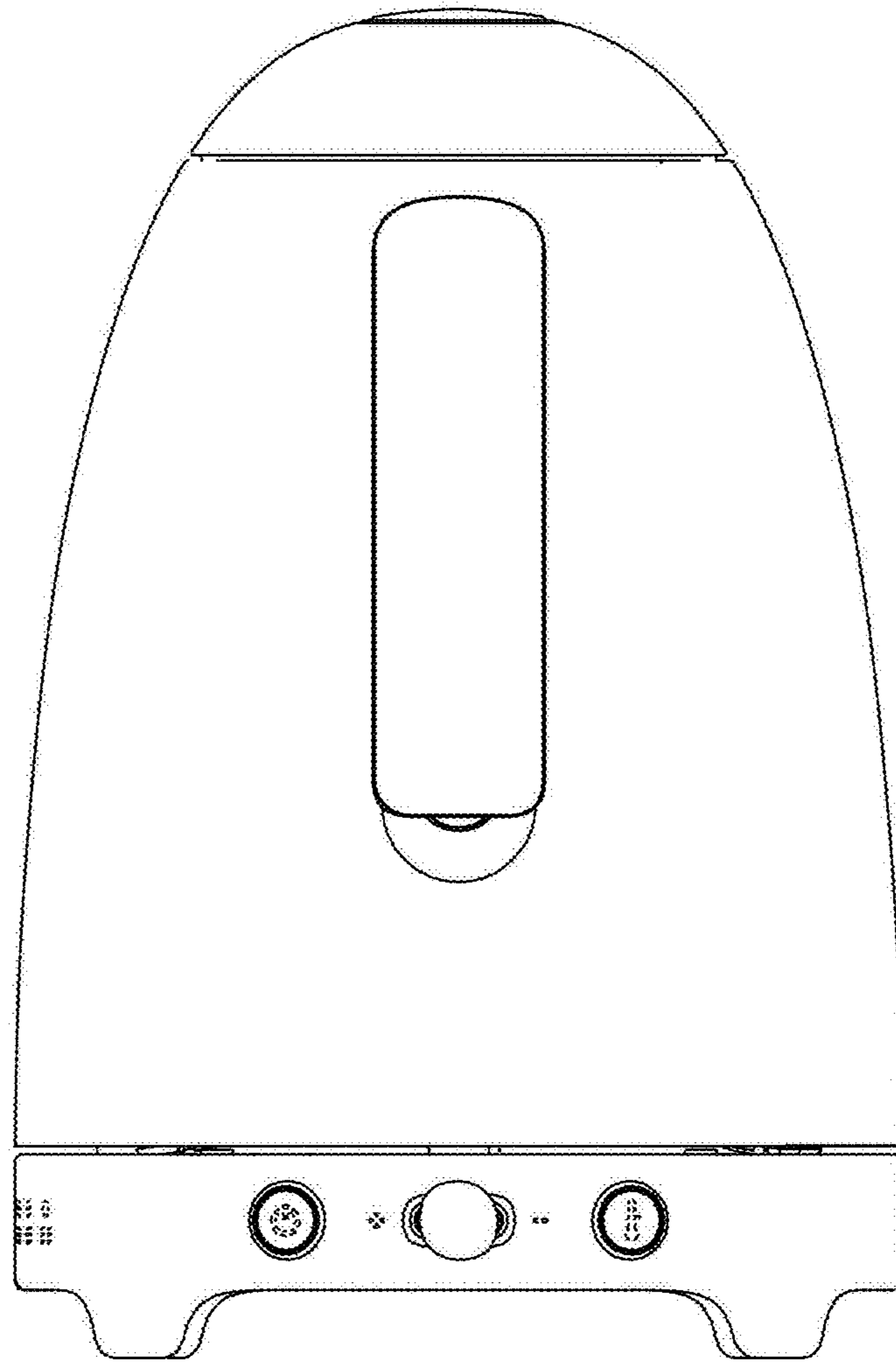


FIG. 12

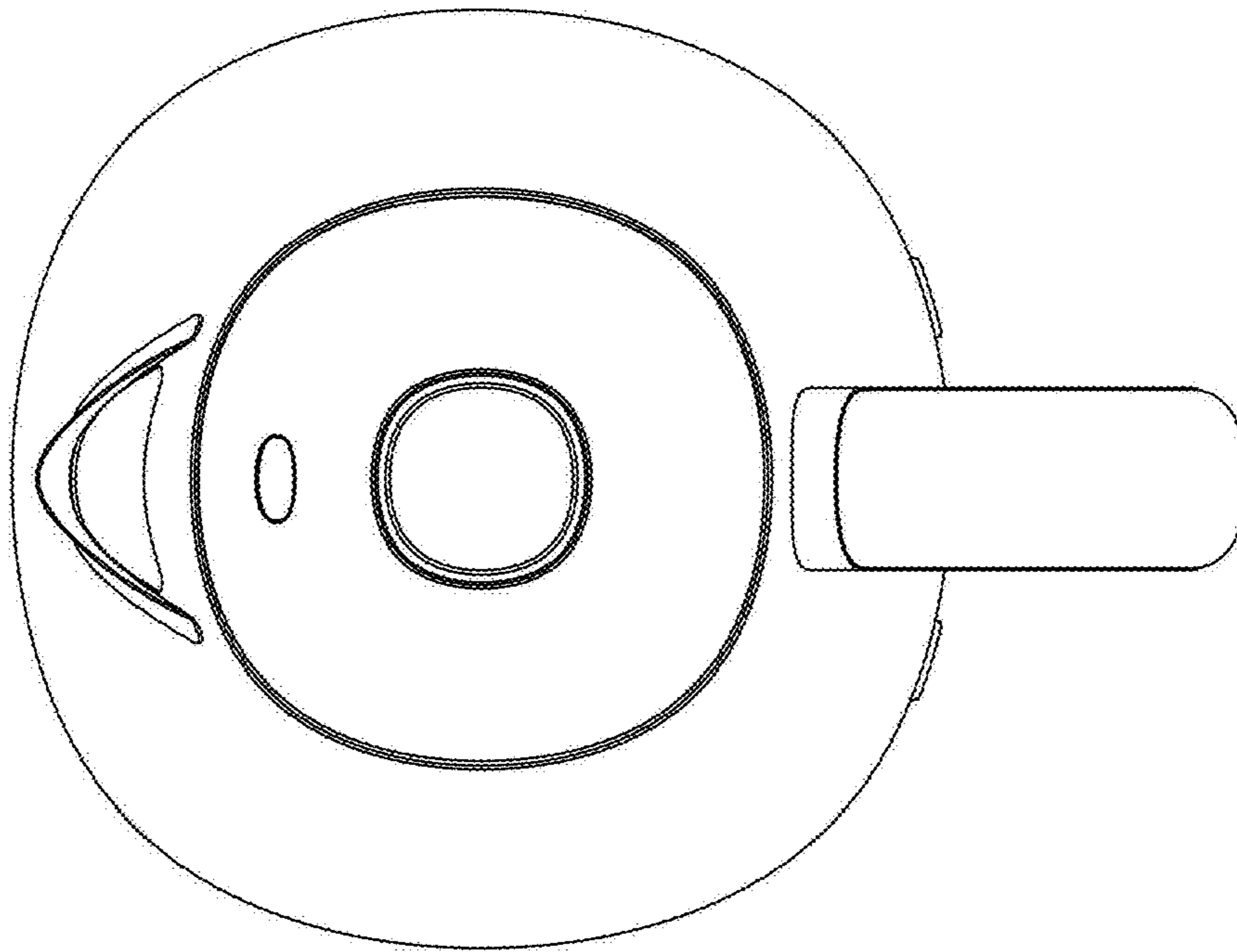


FIG. 13

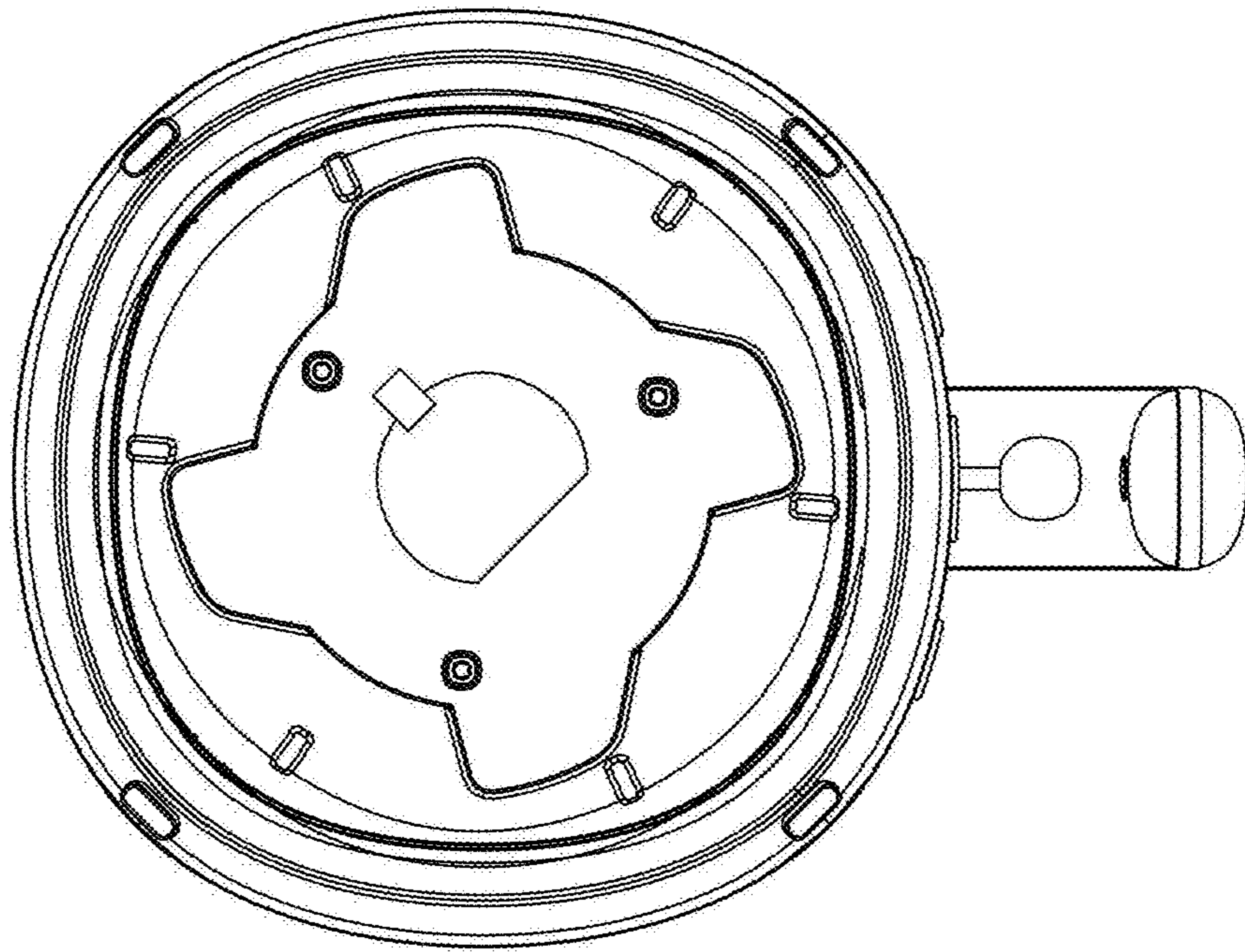


FIG. 14