



US00D752909S

(12) **United States Design Patent**  
**Pengelly**

(10) **Patent No.:** **US D752,909 S**

(45) **Date of Patent:** **\*\* Apr. 5, 2016**

(54) **TABLE**

(71) Applicant: **ARPER S.P.A.**, Monastier di Treviso  
(IT)

(72) Inventor: **Simon Pengelly**, Monastier di Treviso  
(IT)

(73) Assignee: **ARPER S.P.A.**, Monastier di Treviso  
(IT)

(\*\*) Term: **15 Years**

(21) Appl. No.: **29/528,504**

(22) Filed: **May 29, 2015**

**Related U.S. Application Data**

(63) Continuation of application No. 29/353,467, filed on  
Jan. 8, 2010, now abandoned.

(30) **Foreign Application Priority Data**

Jul. 17, 2009 (WO) ..... 504832801

(51) **LOC (10) Cl.** ..... **06-06**

(52) **U.S. Cl.**  
USPC ..... **D6/707.19**

(58) **Field of Classification Search**

USPC ..... D6/480-489, 495-499, 429-431, 451,  
D6/691, 691.8, 707.19, 703; 108/153.1,  
108/156, 157.1, 161; 248/188, 188.1,  
248/188.7, 188.8; D7/354, 698  
CPC ..... A47B 13/02; A47B 13/06; A47B 13/08;  
A47B 13/083; A47B 13/14

See application file for complete search history.

(56) **References Cited**

U.S. PATENT DOCUMENTS

D448,216 S 9/2001 Kolberg  
D573,374 S \* 7/2008 Vasileiou ..... D6/690  
D590,185 S 4/2009 Karashima  
D593,769 S \* 6/2009 Jeup ..... D6/656  
D620,288 S 7/2010 Stiker Metral  
D624,336 S 9/2010 Schultz  
D632,103 S 2/2011 Apelbaum  
8,042,475 B2 \* 10/2011 Larcom ..... A47B 3/0916  
108/130  
D700,465 S \* 3/2014 Johnson ..... D6/707.19  
D729,558 S \* 5/2015 Narbonne ..... D6/691.8

\* cited by examiner

*Primary Examiner* — Janice Seeger

(74) *Attorney, Agent, or Firm* — Davis & Bujold PLLC;  
Michael J. Bujold

(57) **CLAIM**

The ornamental design for a table, as shown and described.

**DESCRIPTION**

FIG. 1 is a perspective view of a table, showing my new  
design from the front, top and right side;

FIG. 2 is a left side elevational view thereof, the right side  
being a mirror image thereof;

FIG. 3 is a front elevational view thereof, the rear elevational  
view being a mirror image thereof;

FIG. 4 is a top plan view thereof;

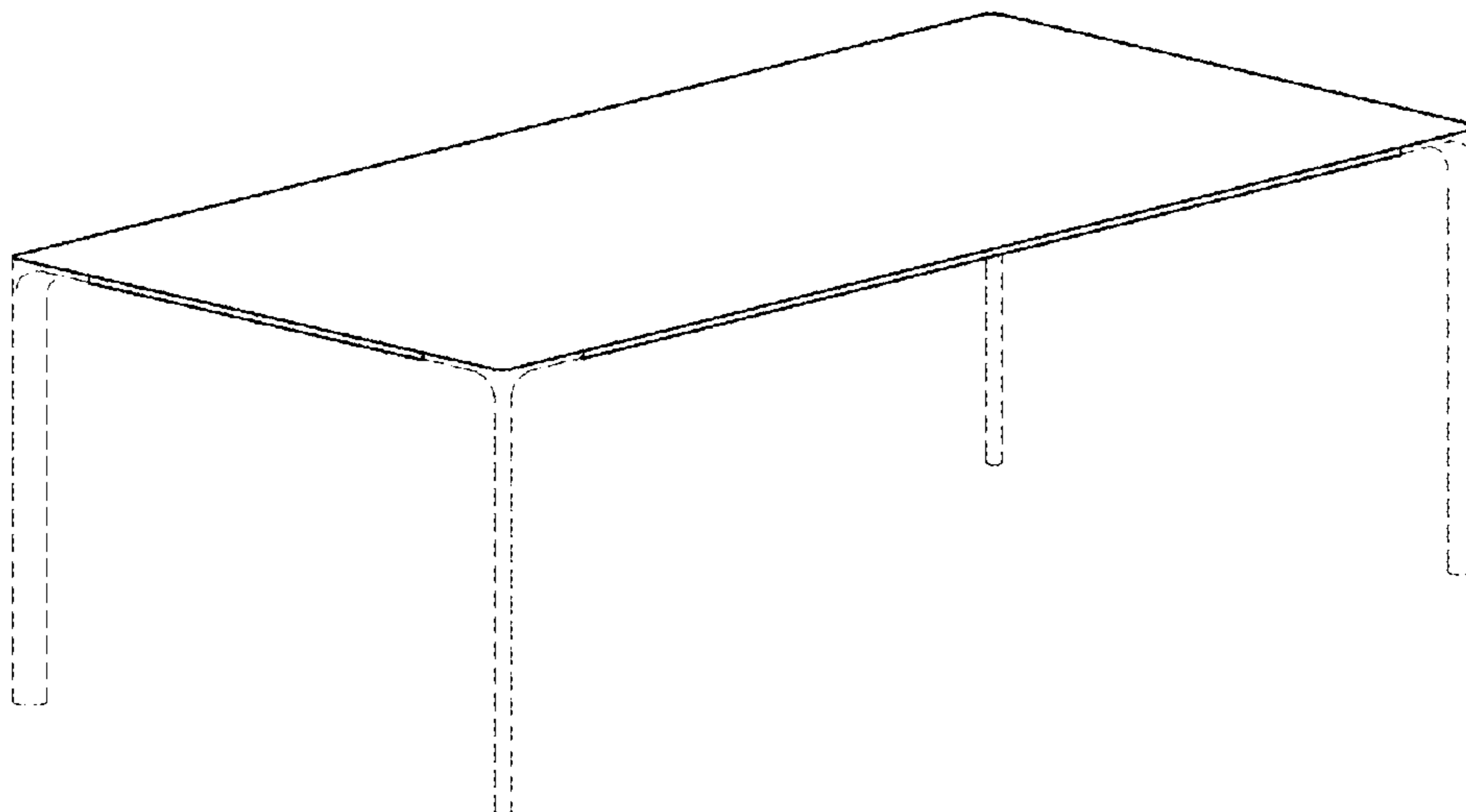
FIG. 5 is a bottom plan view thereof;

FIG. 6 is a fragmentary perspective view showing a corner of  
the table of FIG. 1; and,

FIG. 7 is a fragmentary perspective view showing a corner of  
the table of FIG. 1 from a different angle.

The broken lines are for environmental purposes only and  
form no part of claimed design.

**1 Claim, 7 Drawing Sheets**



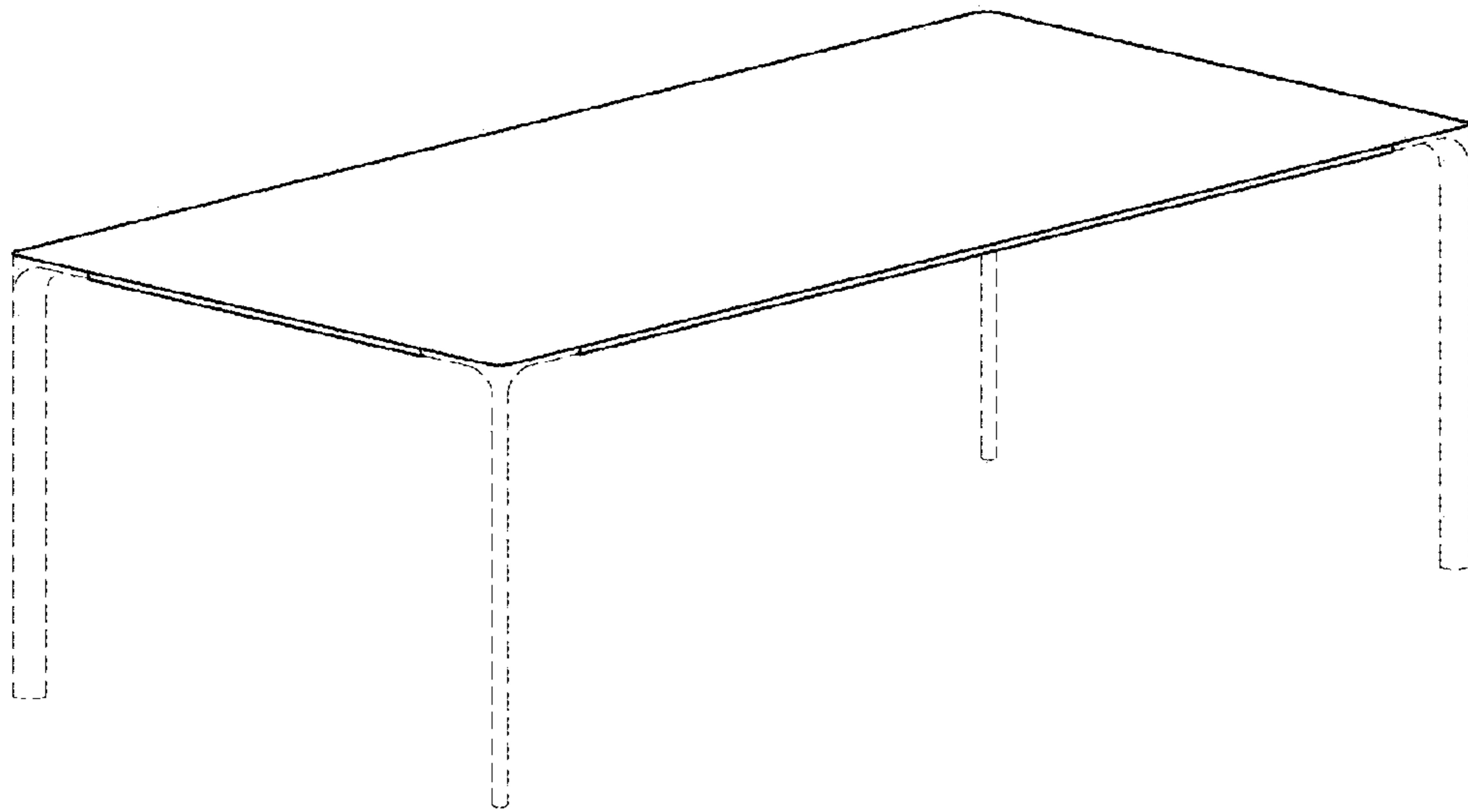


FIG. 1



FIG.2

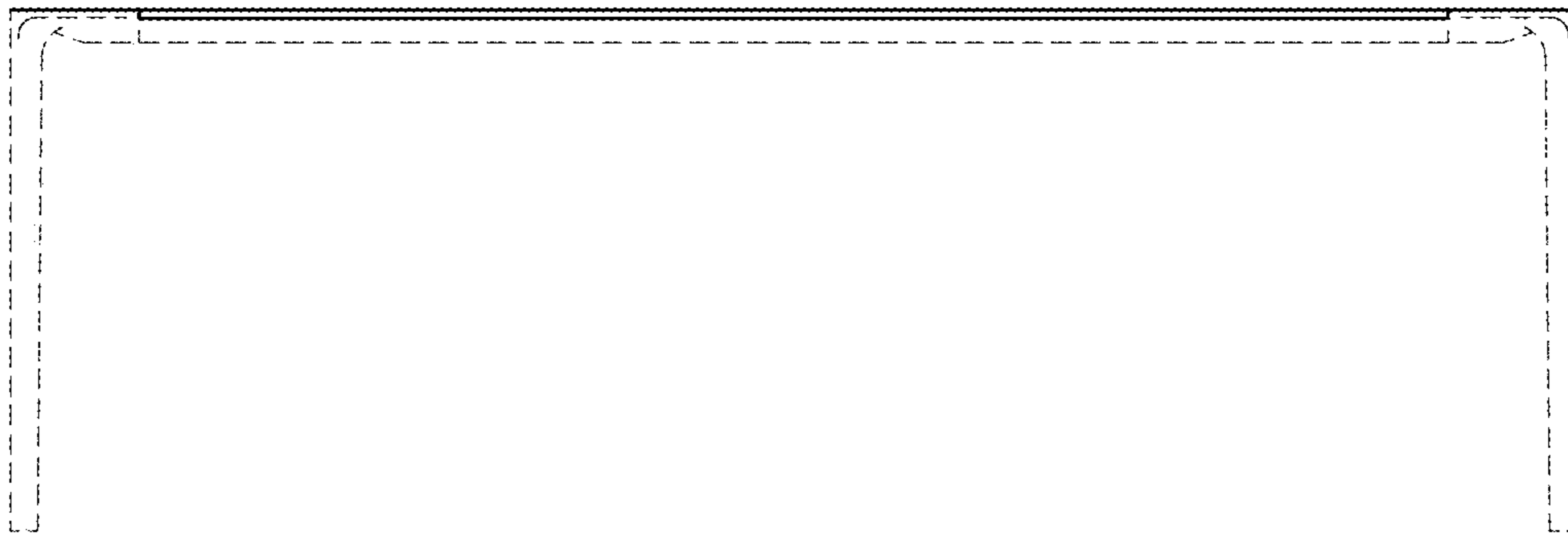
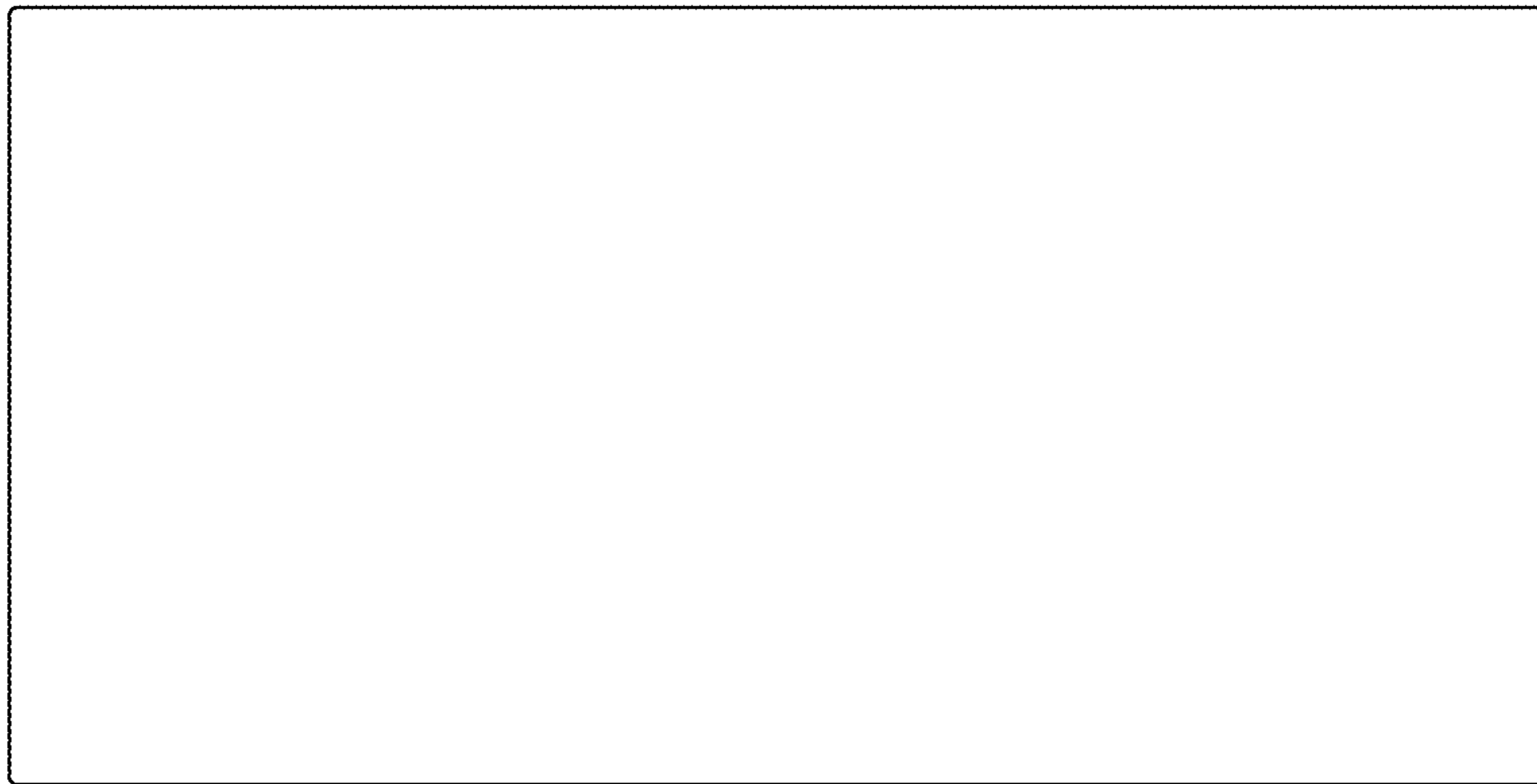


FIG.3



**FIG.4**

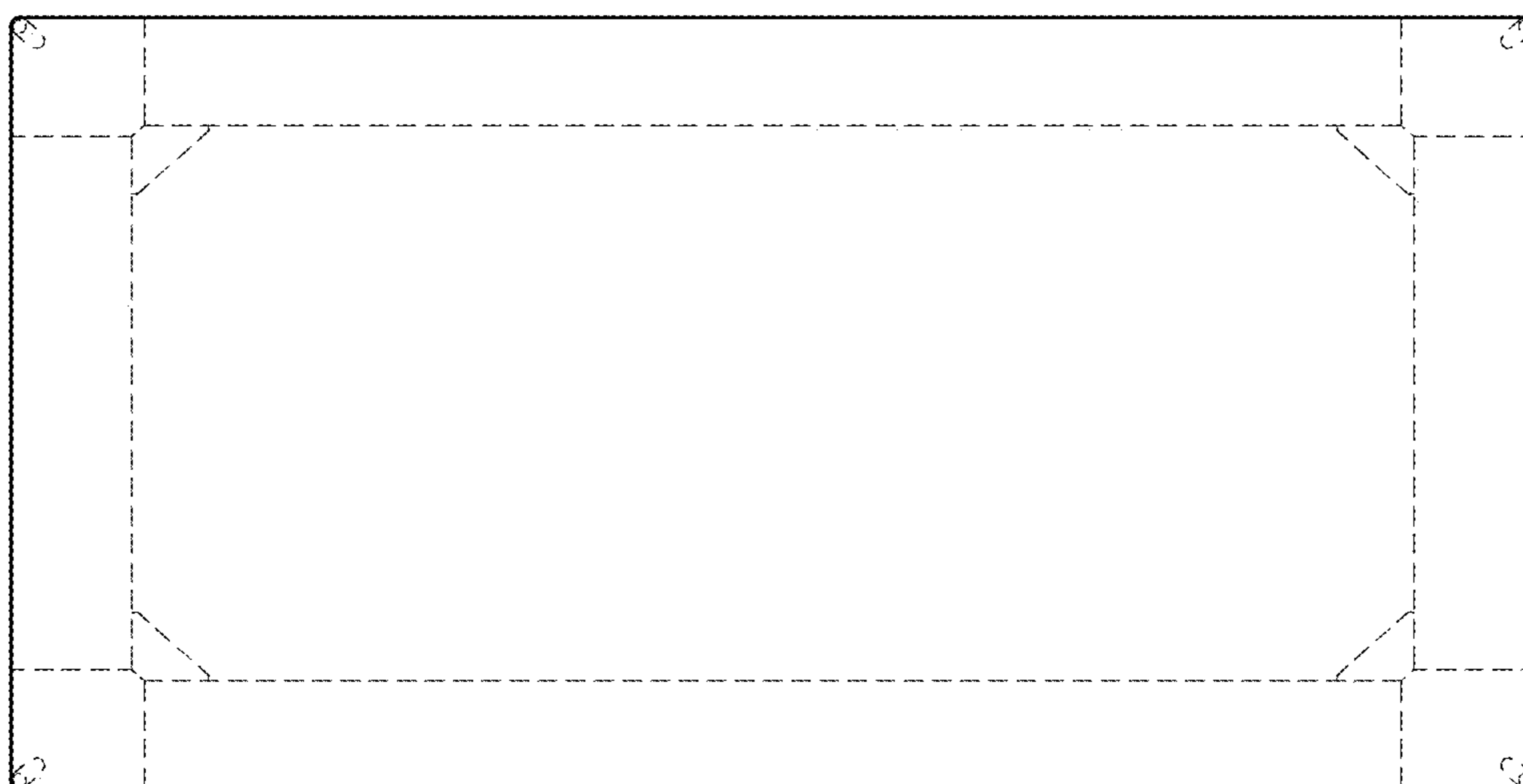


FIG.5

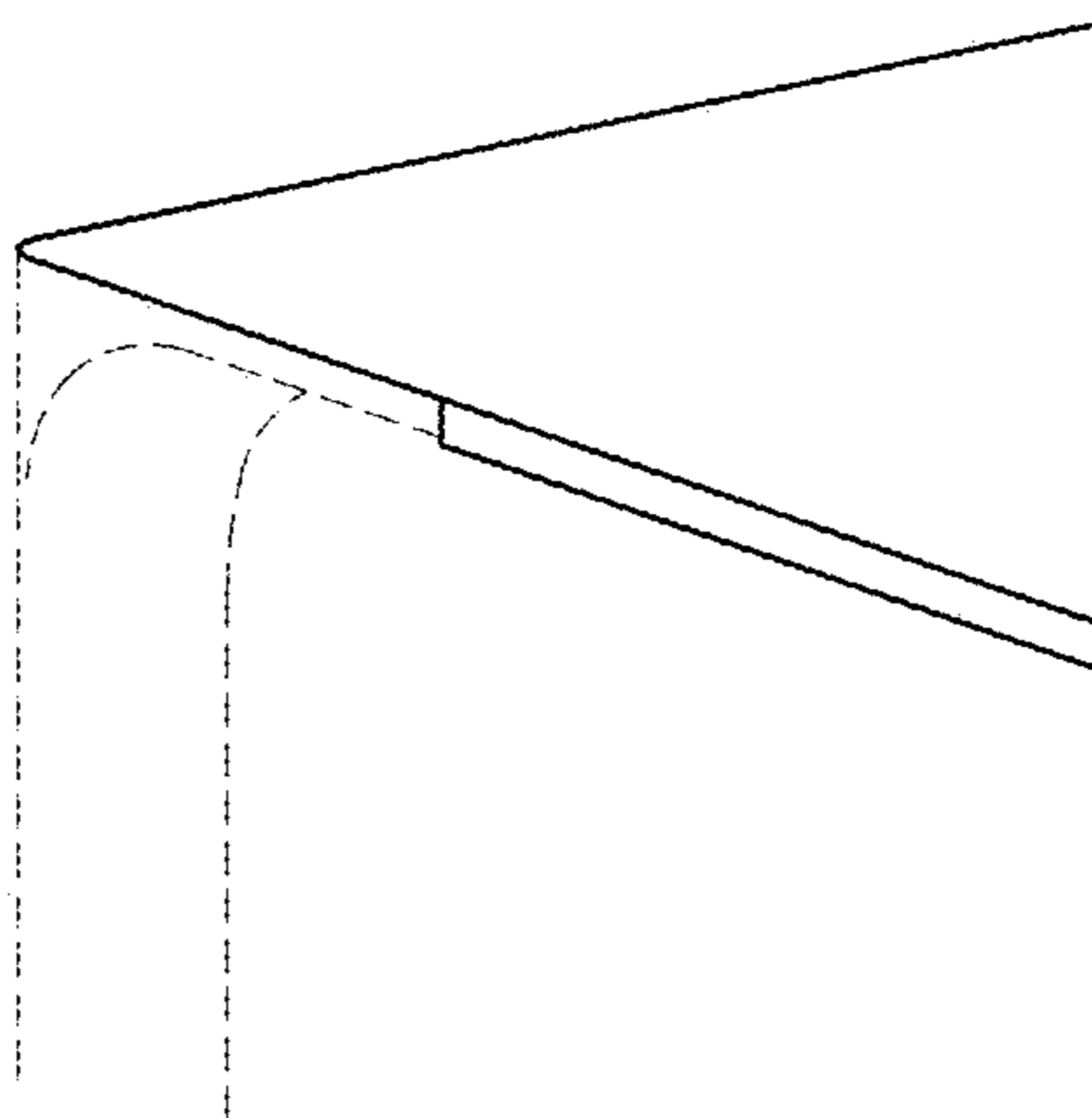


FIG.6

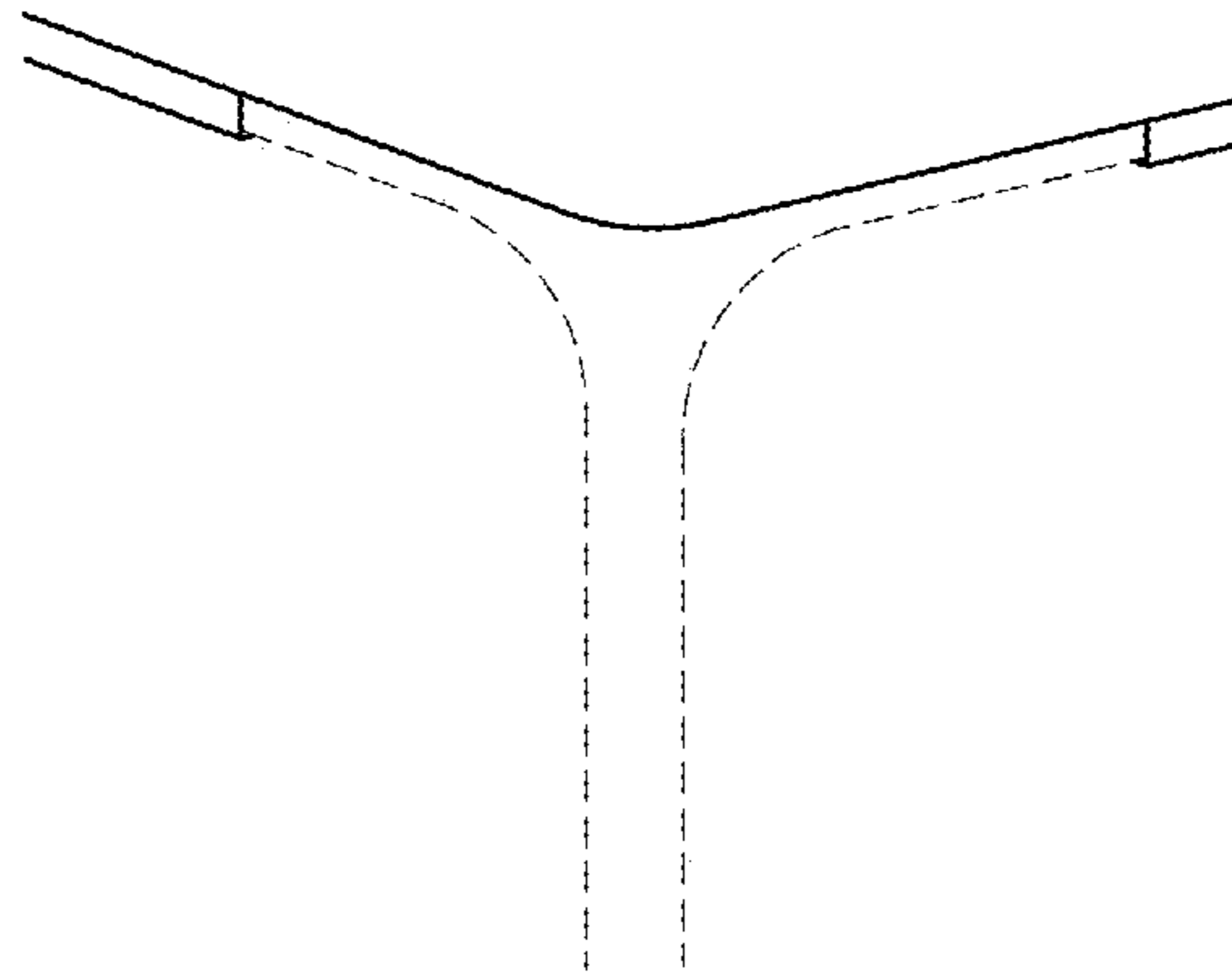


FIG.7