



US00D752908S

(12) **United States Design Patent**  
**McGrath**

(10) **Patent No.:** **US D752,908 S**  
(45) **Date of Patent:** **\*\* Apr. 5, 2016**

(54) **PORTABLE, ADJUSTABLE SNEEZEGUARD**

D410,910 S \* 6/1999 Martell ..... D14/457  
D472,083 S \* 3/2003 English ..... D6/699.5  
D596,187 S \* 7/2009 Martell ..... D14/447

(71) Applicant: **Andrew H. McGrath**, Concord, CA  
(US)

\* cited by examiner

(72) Inventor: **Andrew H. McGrath**, Concord, CA  
(US)

*Primary Examiner* — Janice Seeger

(74) *Attorney, Agent, or Firm* — Charles L. Thoeming

(\*\*) Term: **14 Years**

(57) **CLAIM**

The ornamental design for a portable, adjustable sneeze-guard, as shown and described.

(21) Appl. No.: **29/489,003**

**DESCRIPTION**

(22) Filed: **Apr. 25, 2014**

(51) **LOC (10) Cl.** ..... **06-03**

(52) **U.S. Cl.**

USPC ..... **D6/699.5**; D19/91; D6/656.11

(58) **Field of Classification Search**

USPC ..... D6/699.5, 699.2, 700, 656.11, 406.1,  
D6/312; D19/91

CPC ..... A47F 3/007; A47F 3/04; A47F 9/00;  
A47B 23/00; A47B 27/18; A47B 23/043;  
A47B 19/002; A47B 97/08

See application file for complete search history.

FIG. 1 is a front, right perspective view of a partially open portable, adjustable sneezeguard showing my new design.

FIG. 2 is an orthogonal right side view of the partially open portable, adjustable sneezeguard of FIG. 1; the orthogonal left side view of the partially open portable, adjustable sneezeguard of FIG. 1 is the mirror image of FIG. 2.

FIG. 3 is an orthogonal front view of the partially open portable, adjustable sneezeguard of FIG. 1.

FIG. 4 is an orthogonal top view of the partially open portable, adjustable sneezeguard of FIG. 1.

FIG. 5 is an orthogonal rear view of the partially open portable, adjustable sneezeguard of FIG. 1.

FIG. 6 is an orthogonal bottom view of the partially open portable, adjustable sneezeguard of FIG. 1.

FIG. 7 is a front, right perspective view of a fully closed portable, adjustable sneezeguard showing my new design; and,

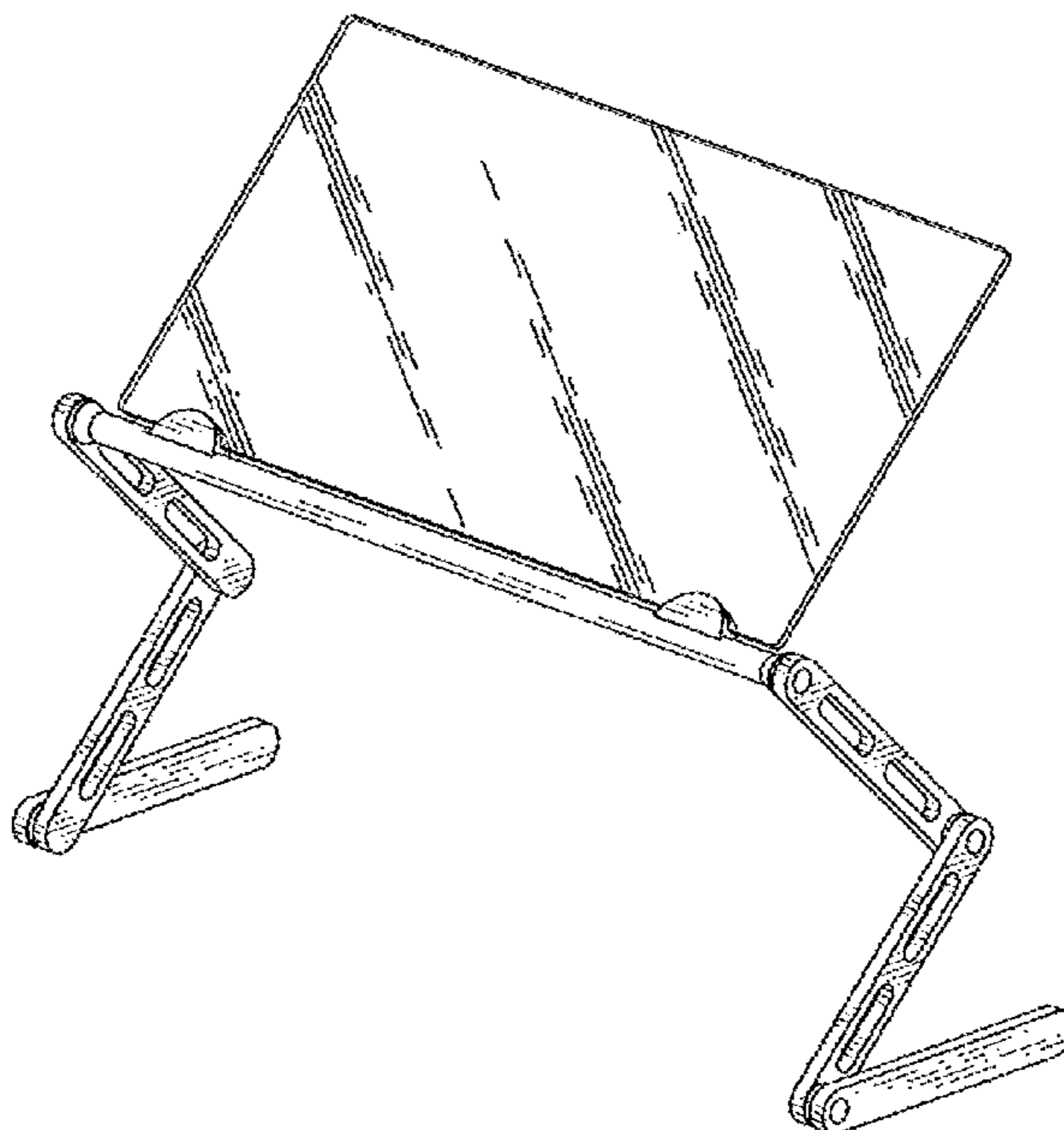
FIG. 8 is an orthogonal left side view of the fully closed portable, adjustable sneezeguard of FIG. 7; the orthogonal right side view of the fully closed portable, adjustable sneezeguard of FIG. 7 is the mirror image of FIG. 8.

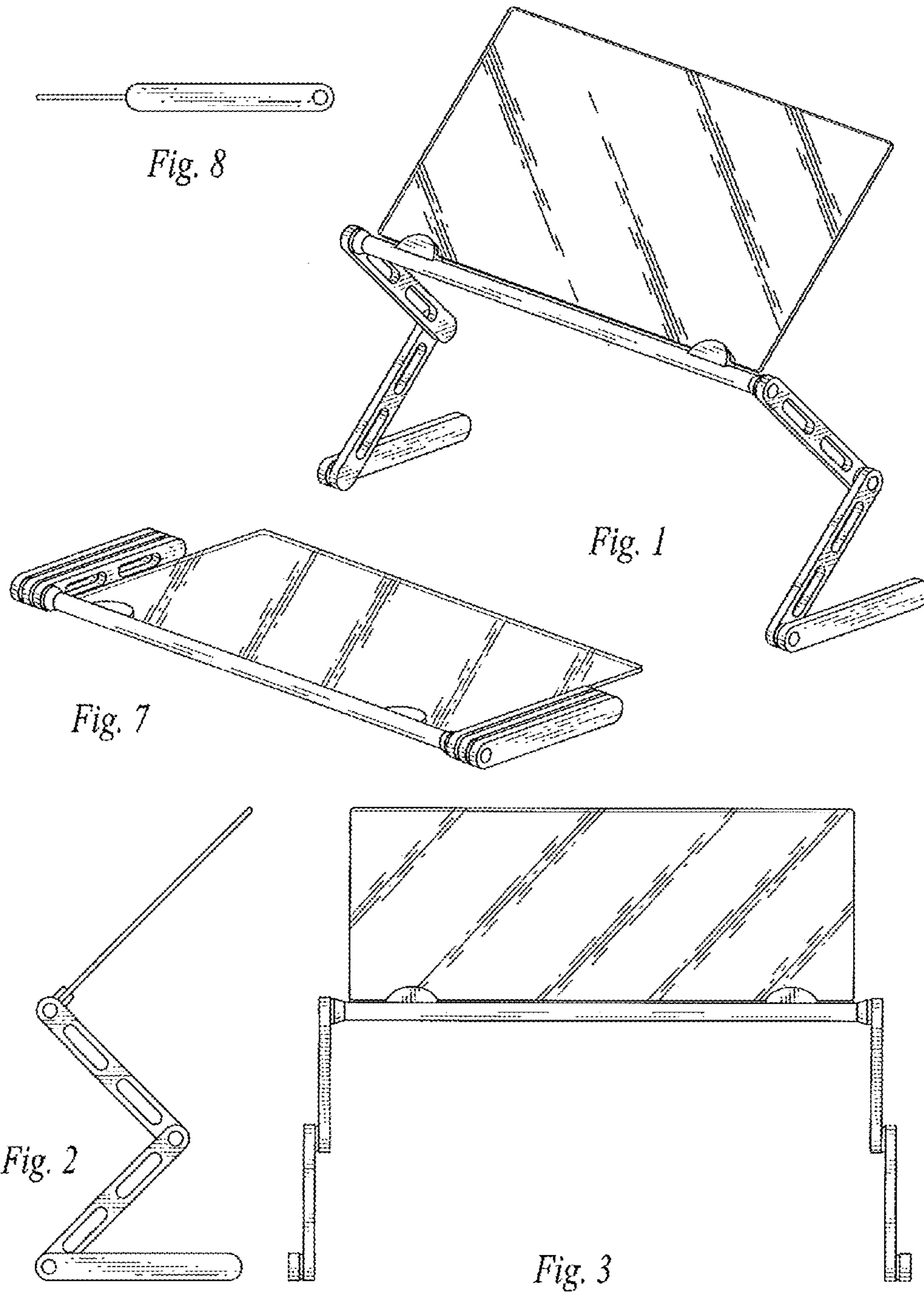
(56) **References Cited**

U.S. PATENT DOCUMENTS

D264,412 S \* 5/1982 Vega ..... D6/310  
4,726,556 A \* 2/1988 Weir ..... A47B 27/18  
248/454  
4,892,366 A \* 1/1990 Yerman ..... A47F 3/007  
108/152  
D398,458 S \* 9/1998 Martell ..... D6/656.11

**1 Claim, 2 Drawing Sheets**





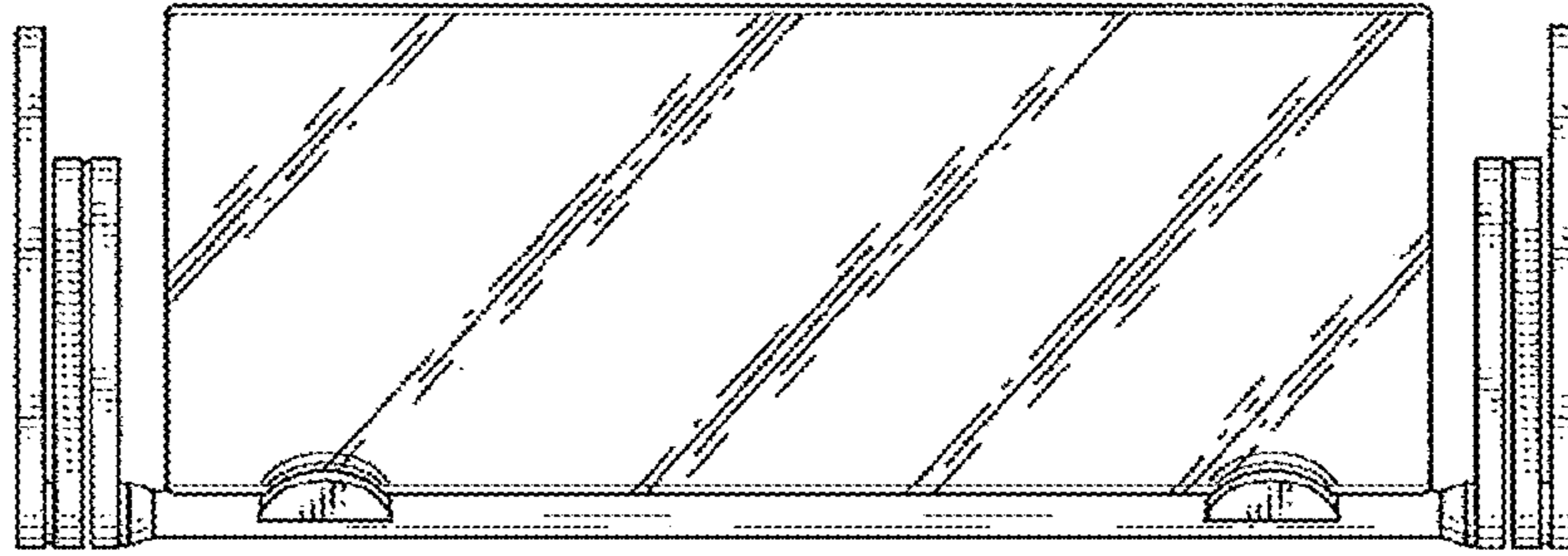


Fig. 4

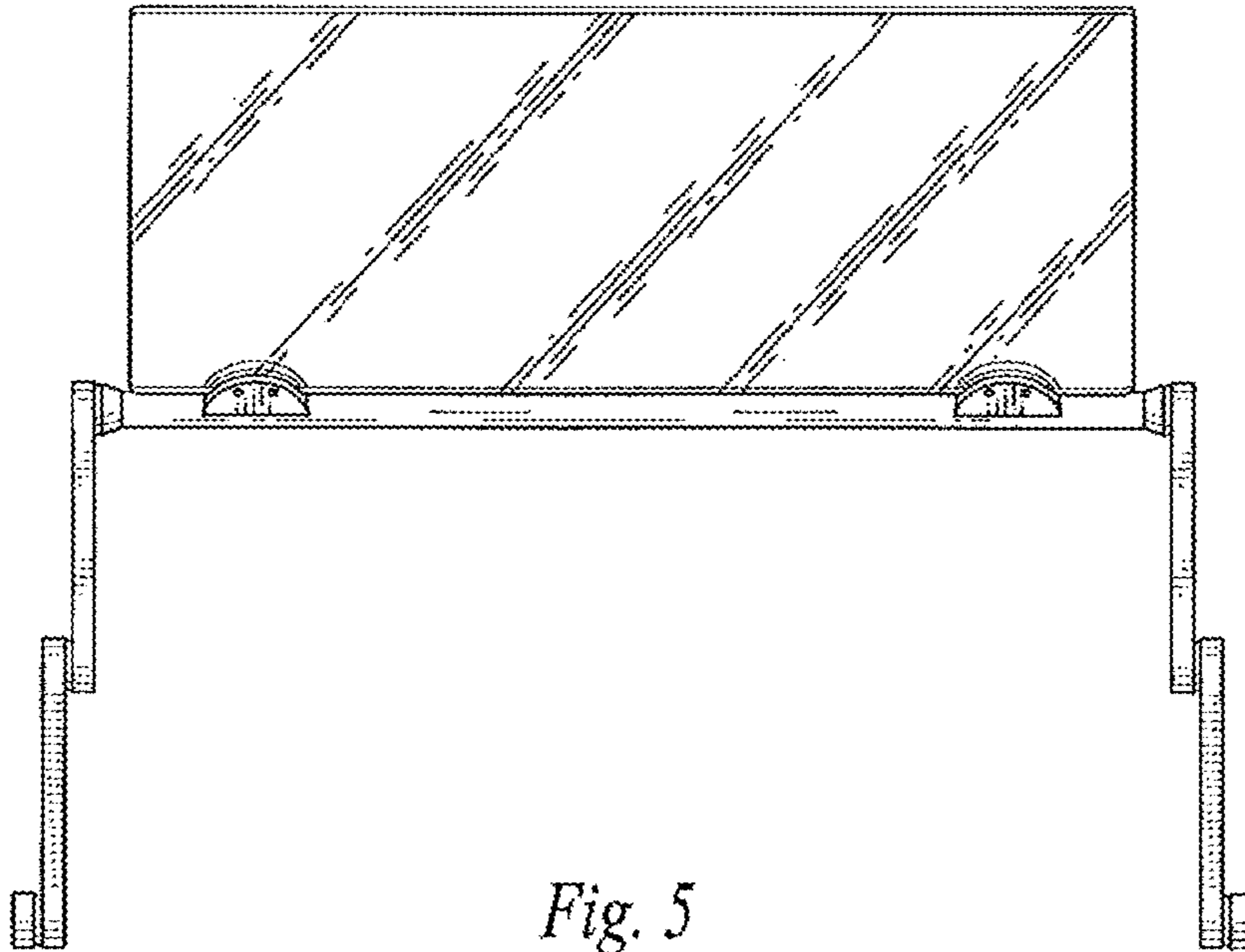


Fig. 5

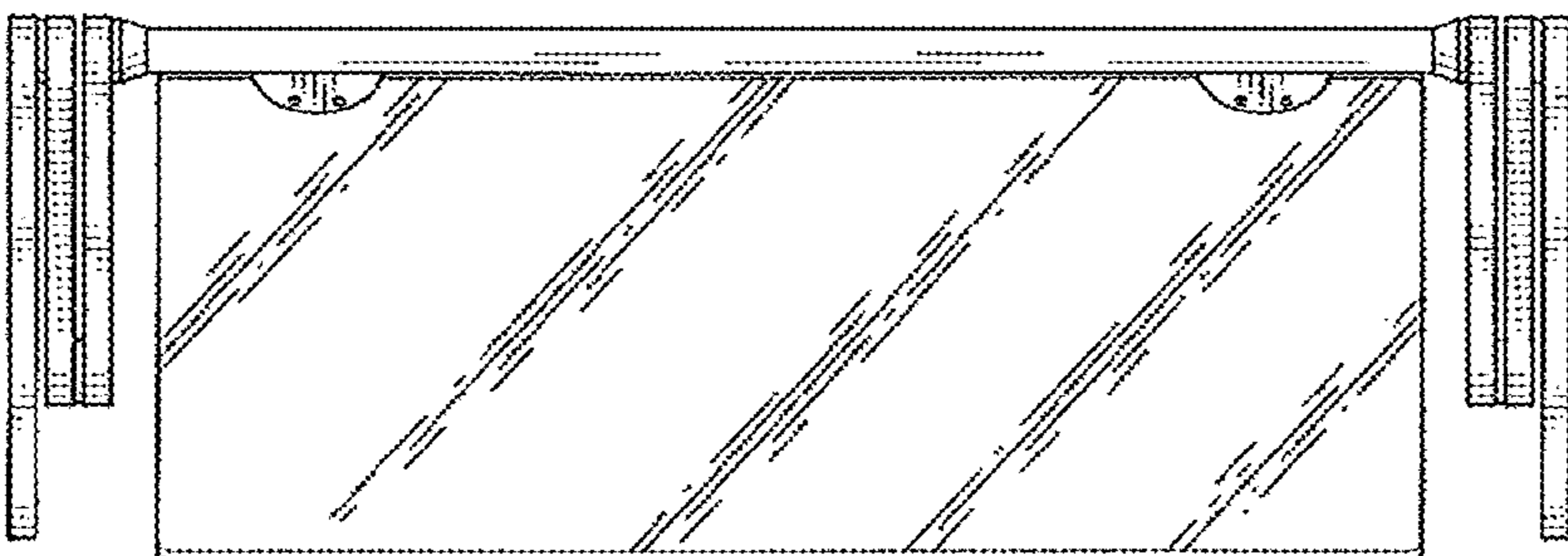


Fig. 6