



US00D752907S

(12) **United States Design Patent**
Denby et al.

(10) **Patent No.:** **US D752,907 S**
(45) **Date of Patent:** **** Apr. 5, 2016**

(54) **JEWELRY DISPLAY MOUNT**

DESCRIPTION

(71) Applicant: **TARGET BRANDS, INC.**,
Minneapolis, MN (US)
(72) Inventors: **Scott E. Denby**, Minneapolis, MN (US);
Vaughan Schaub, Golden Valley, MN
(US); **Dewey Fischer**, Rosemount, MN
(US)
(73) Assignee: **Target Brands, Inc.**, Minneapolis, MN
(US)
(**) Term: **14 Years**
(21) Appl. No.: **29/515,827**
(22) Filed: **Jan. 27, 2015**
(51) **LOC (10) Cl.** **06-06**
(52) **U.S. Cl.**
USPC **D6/682**
(58) **Field of Classification Search**
USPC D6/677, 681, 681.1, 682, 682.1, 682.3,
D6/682.5; 211/13.1, 85.2, 85.3, 85.26,
211/85.1
CPC A47F 5/04; A47F 7/0057; A47F 7/022
See application file for complete search history.

FIG. 1 is a front, perspective view of a jewelry display mount showing a first embodiment our new design;
FIG. 2 is a front view thereof;
FIG. 3 is a rear view thereof;
FIG. 4 is a right side view thereof;
FIG. 5 is a left side view thereof;
FIG. 6 is a top view thereof;
FIG. 7 is a bottom view thereof; and
FIG. 8 is a front, perspective view thereof illustrated with additional environmental subject matter.
FIG. 9 is a front, perspective view of a jewelry display mount showing a second embodiment our new design;
FIG. 10 is a front view thereof;
FIG. 11 is a rear view thereof;
FIG. 12 is a right side view thereof;
FIG. 13 is a left side view thereof;
FIG. 14 is a top view thereof;
FIG. 15 is a bottom view thereof; and
FIG. 16 is a front, perspective view thereof illustrated with additional environmental subject matter.
FIG. 17 is a front, perspective view of a jewelry display mount showing a third embodiment our new design;
FIG. 18 is a front view thereof;
FIG. 19 is a rear view thereof;
FIG. 20 is a right side view thereof;
FIG. 21 is a left side view thereof;
FIG. 22 is a top view thereof;
FIG. 23 is a bottom view thereof; and
FIG. 24 is a front, perspective view thereof illustrated with additional environmental subject matter.
FIG. 25 is a front, perspective view of a jewelry display mount showing a fourth embodiment our new design;
FIG. 26 is a front view thereof;
FIG. 27 is a rear view thereof;
FIG. 28 is a right side view thereof;
FIG. 29 is a left side view thereof;
FIG. 30 is a top view thereof;
FIG. 31 is a bottom view thereof; and
FIG. 32 is a front, perspective view thereof illustrated with additional environmental subject matter.
In the drawings, the features shown in broken lines are portions of the jewelry display mount or environmental subject matter to the jewelry display mount forming no part of the claimed design. The features shown in long dash-short dash bolded broken lines indicate the bounds of the claimed design and otherwise form no part of the claimed design.

(56) **References Cited**

U.S. PATENT DOCUMENTS

D141,791 S 7/1945 Siegel
2,549,369 A 4/1951 Epstein

(Continued)

OTHER PUBLICATIONS

“New Wrist Watch Display Rack”, printed from www.abcsources.com/Wholesale-New-Wrist-Watch-Display-Rack-H...er-Show-Stand-Decorations-Bracelet-Watch-Display-Stand-p24686.html, publicly available as early as Nov. 20, 2014 (5 pages).

(Continued)

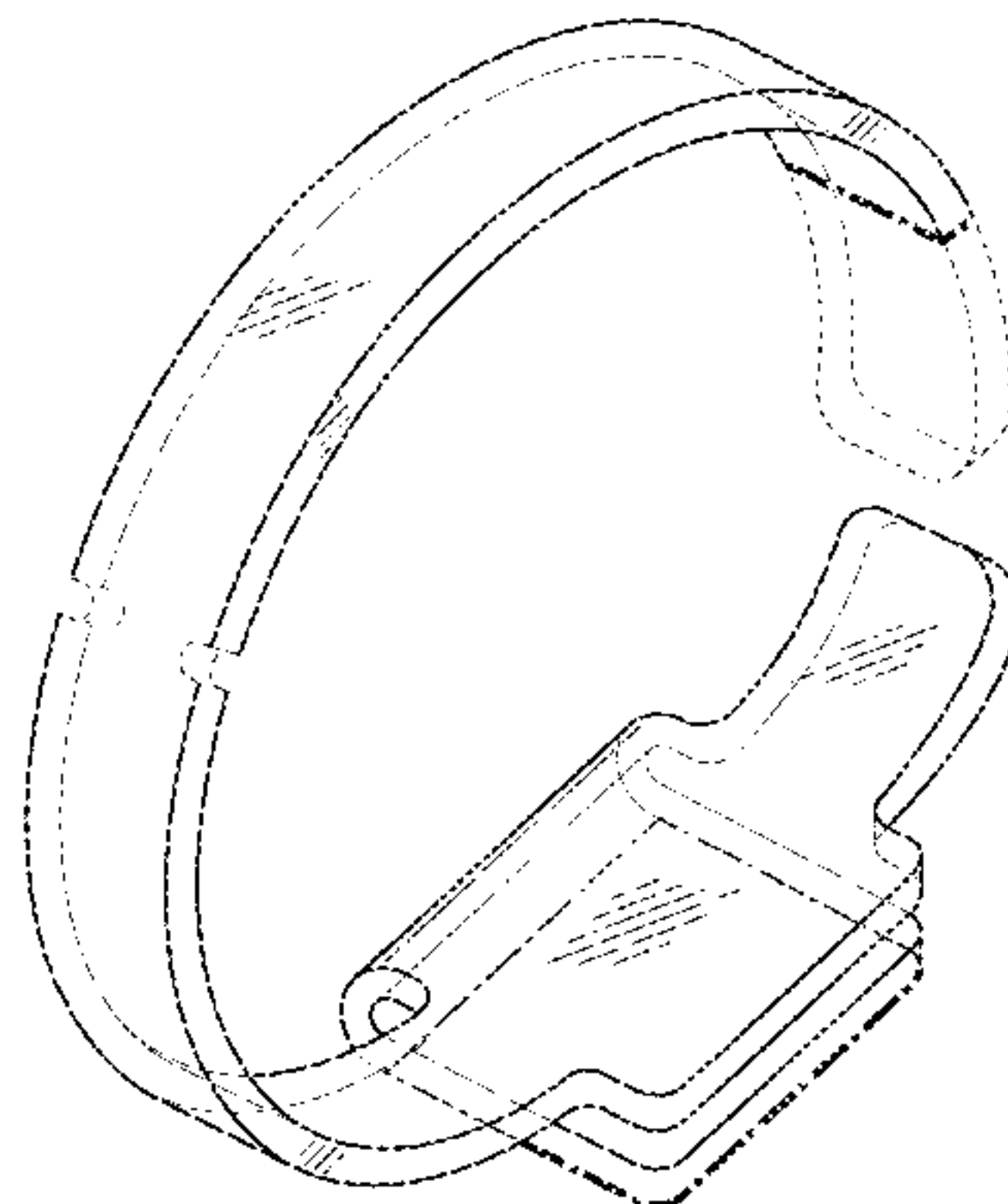
Primary Examiner — Kelley Donnelly

(74) *Attorney, Agent, or Firm* — Griffiths & Seaton PLLC;
JoAnn M. Seaton

(57) **CLAIM**

The ornamental design for a jewelry display mount, as shown and described.

1 Claim, 20 Drawing Sheets



(56)

References Cited

U.S. PATENT DOCUMENTS

D176,817	S *	1/1956	Ritter	D6/682.6
D189,146	S *	11/1960	Eula	D6/682
4,082,183	A	4/1978	Sturm		
4,707,146	A *	11/1987	Wein	A47F 7/022 248/116
D322,189	S *	12/1991	Schechter	D6/682
5,136,557	A	8/1992	Plawker et al.		
5,181,608	A	1/1993	Herzog		
5,377,822	A	1/1995	Herzog		
5,579,906	A *	12/1996	Fabbri	A47F 7/022 206/1.5
D379,758	S *	6/1997	Chu Lee	D20/10
D380,914	S *	7/1997	Dostie	D6/682.2
5,752,600	A	5/1998	Kurashina et al.		
D409,416	S *	5/1999	Au	D6/682
D451,706	S *	12/2001	Lanham	D6/682.2
D478,740	S *	8/2003	Kirshner	D6/682
6,629,677	B2 *	10/2003	Kirshner	A47F 7/022 206/301
D502,338	S *	3/2005	Zanghi	D6/672
8,584,845	B2 *	11/2013	Soltis, Jr.	A47F 7/022 206/18
D740,060	S *	10/2015	Akana	D6/682.5

OTHER PUBLICATIONS

“Retail Acrylic Watch Display Case”, printed from <http://goldcoast.en.hisupplier.com/product-1315146-Retail-acrylic-watch-display-case.html>, publicly available at least as early as Nov. 20, 2014 (5 pages).

“How to Display Watches Properly for Retail Businesses”, printed from <http://blog.stellarb2b.com/how-to-display-watches-properly-for-retail-businesses/>, posted Feb. 25, 2014 (4 pages).
 “Acrylic Watches Display Retail Stands”, printed from www.thefind.com/jewelry/info-acrylic-watches-display-retail-stands, publicly available at least as early as Aug. 5, 2014 (5 pages).
 Web page printed from <http://itempage3.auction.co.kr/DetailView.aspx?itemno=A532108665>, publicly available at least as early as Aug. 5, 2014 (3 pages).
 “Retail Acrylic Watch Display Case”, printed from <http://goldcoast.en.hisupplier.com/product-1315146-Retail-acrylic-watch-display-case.html>, publicly available at least as early as Aug. 5, 2014 (5 pages).
 “I Love My Local Casio Vendor”, printed from <http://forums.watchuseek.com/f17/i-love-my-local-casio-vendor-new-release-prices-release-dates-purchases-527371.html>, posted Apr. 10, 2011 (15 pages).
 “Retail Home Store Rack Holder Show Stand Display Case for Watch”, printed from www.ebay.com/itm/Retail-Home-Store-Rack-Holder-Show-Stand-Display-Case-for-Watch-Plastic-New-/161104779611, publicly available at least as early as Apr. 25, 2014 (4 pages).
 “Watch Stand in Black Leatherette Material Vertical Position”, printed from www.esslinger.com/watch-stand-in-black-leatherette-material-useto-display-watch-1.aspx, publicly available at least as early as Aug. 11, 2014, per <http://web.archive.org> (2 pages).
 “Apple Rubs Elbows With The Fashion Elite for Paris Apple Watch Event”, printed from www.onenewspage.com/video/20140930/2114749/Apple-Rubs-Elbows-With-The-Fashion-Elite-For.htm, published Sep. 30, 2014 (3 pages).
 “Clear View Watch Display Stand Holder”, printed from www.aliexpress.com/store/product/Free-Shipping-20-Clear-View-Watch-Display-Stand-Holder-AF-28/104781_374027443.html, publicly available at least as early as Jul. 15, 2014 (8 pages).

* cited by examiner

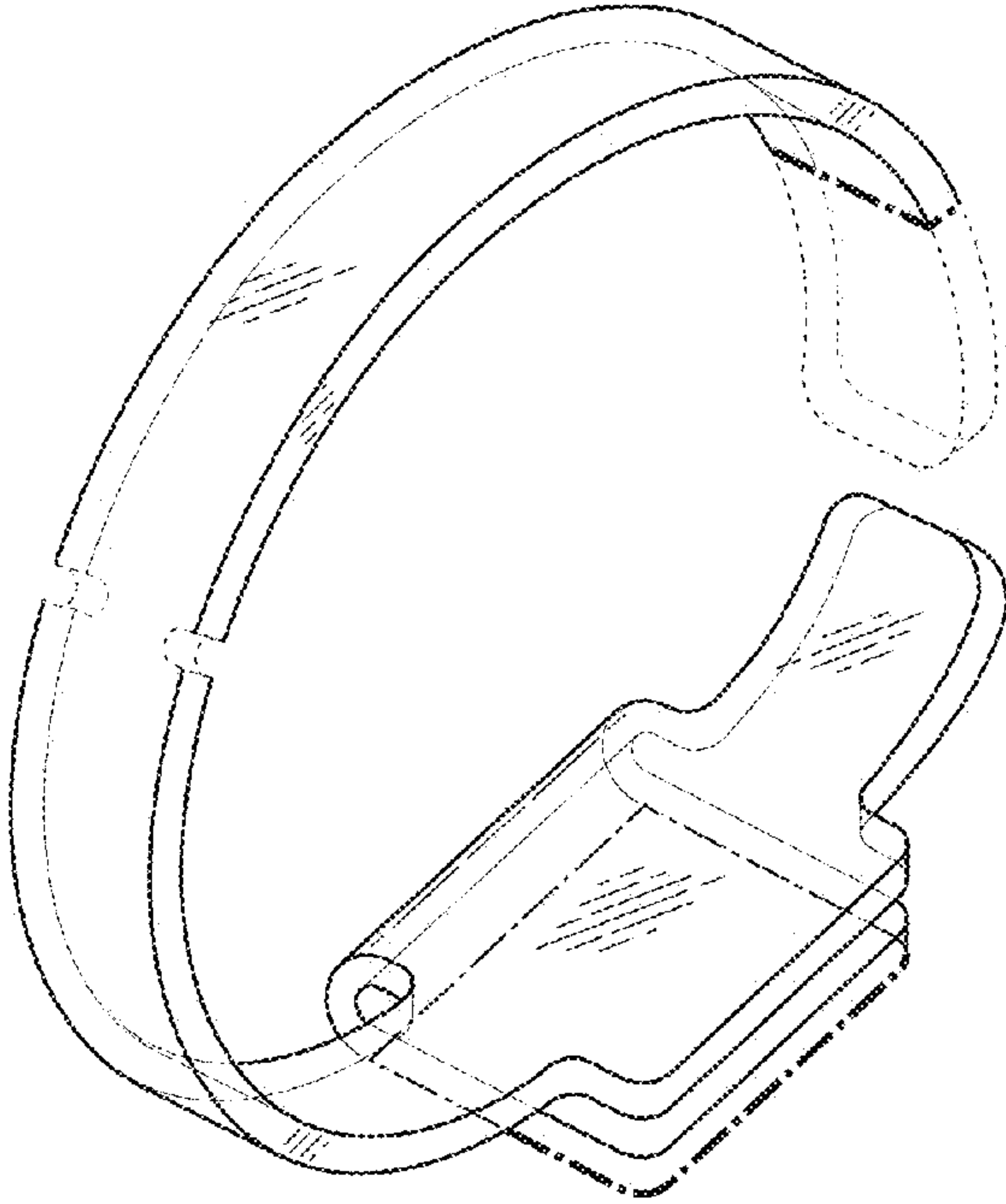


FIG. 1

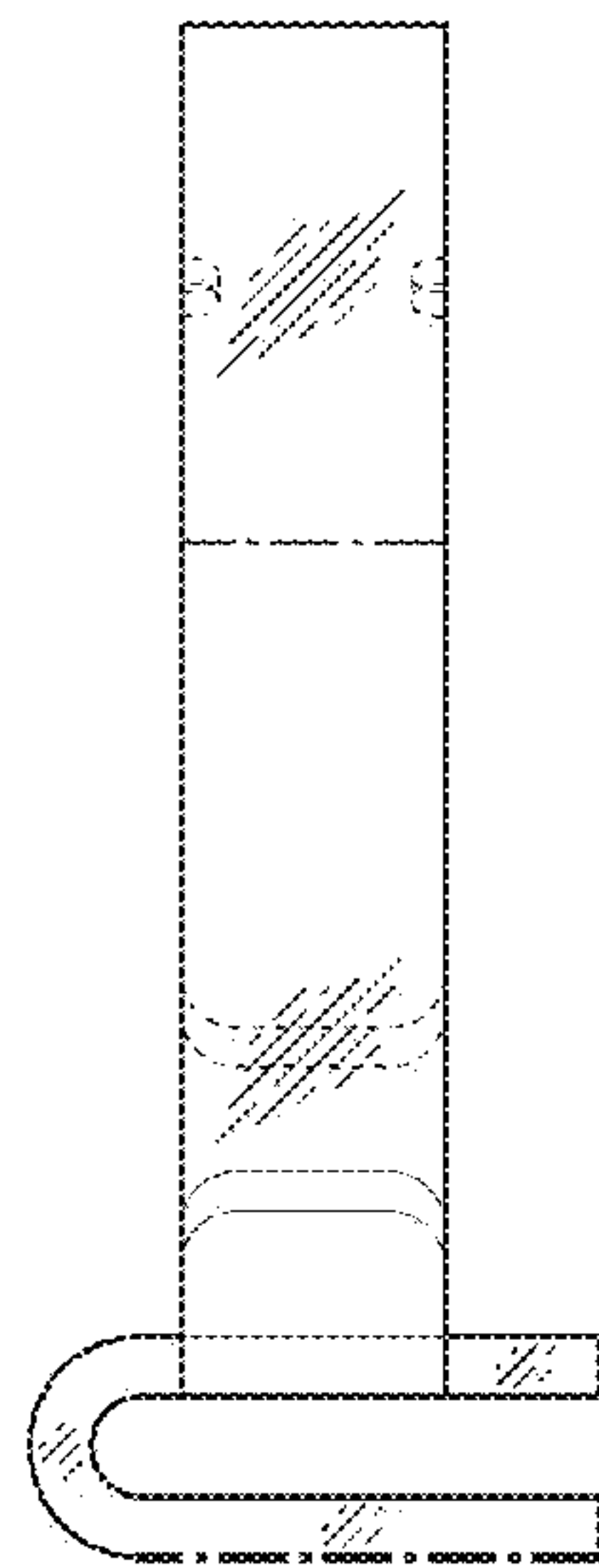


FIG. 2

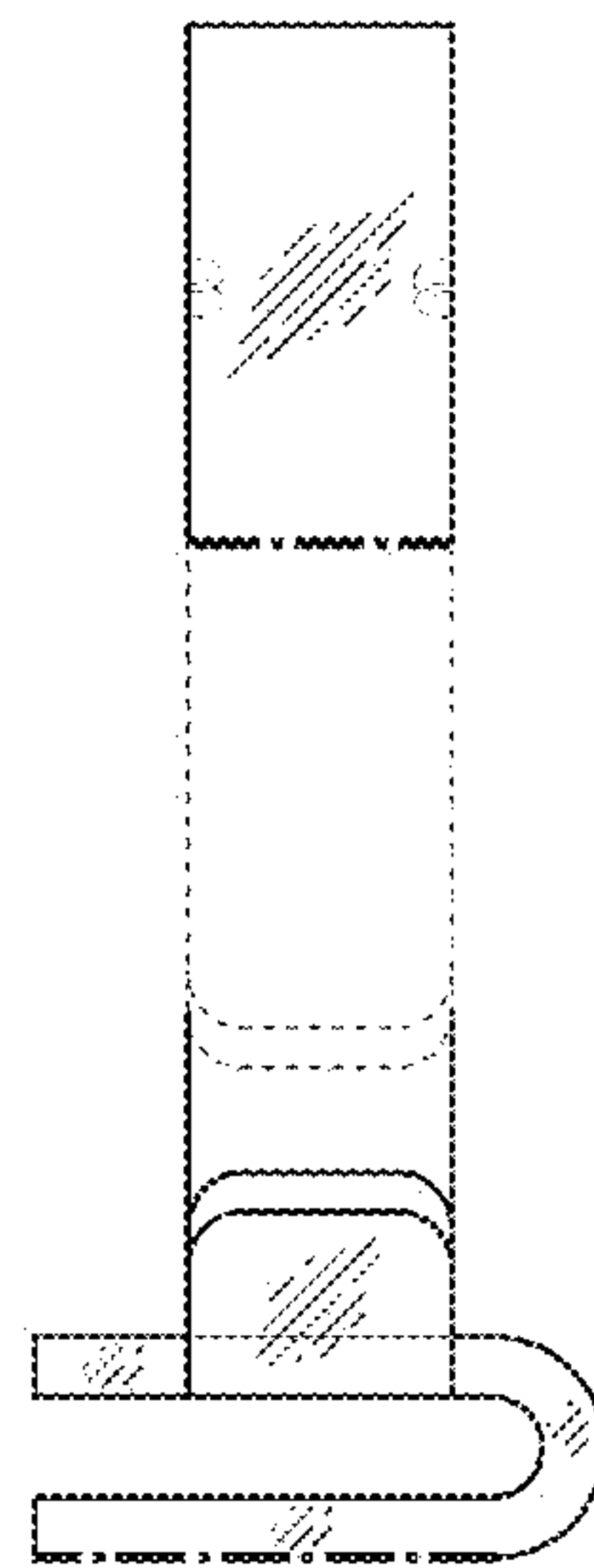


FIG. 3

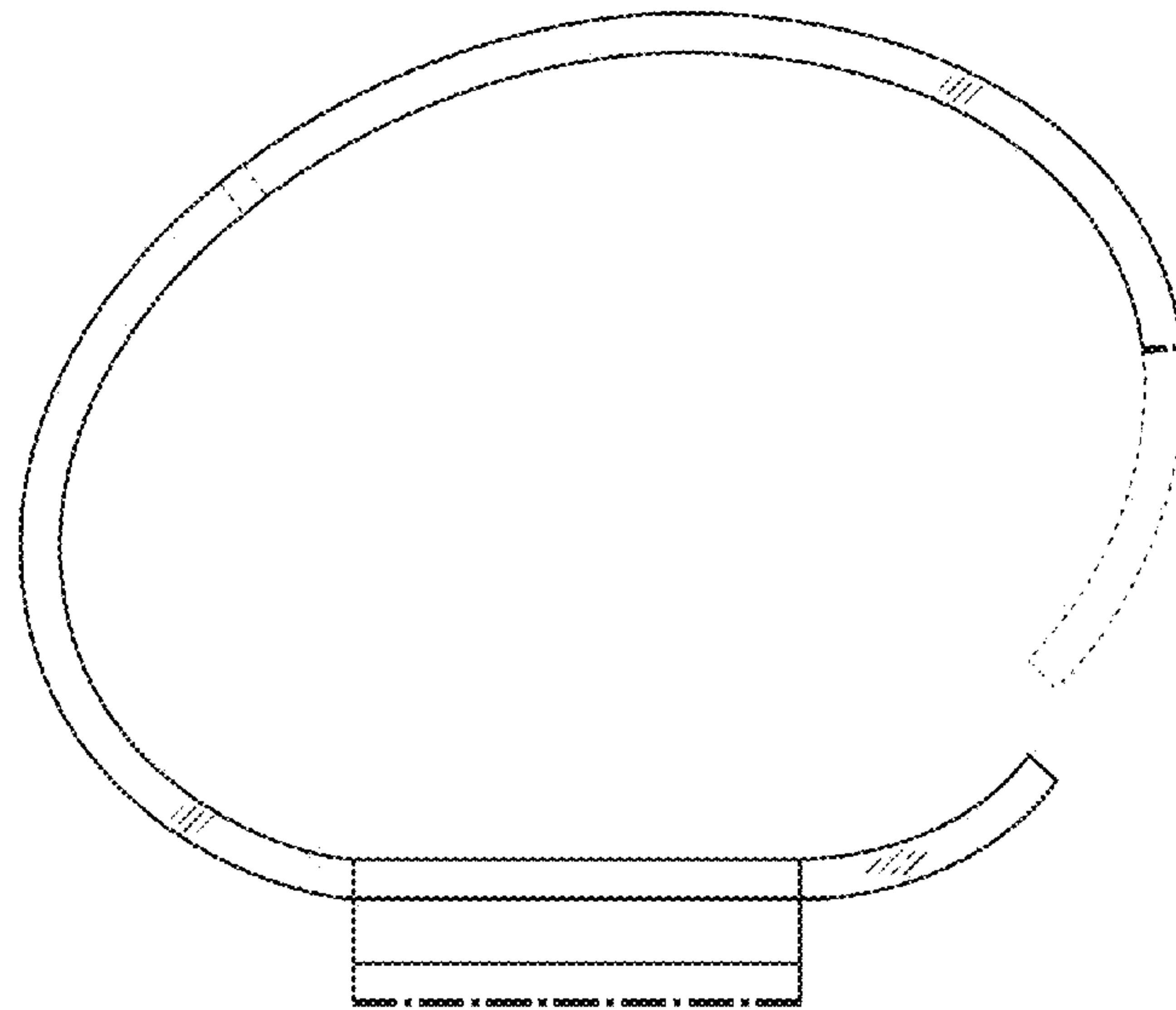


FIG. 4

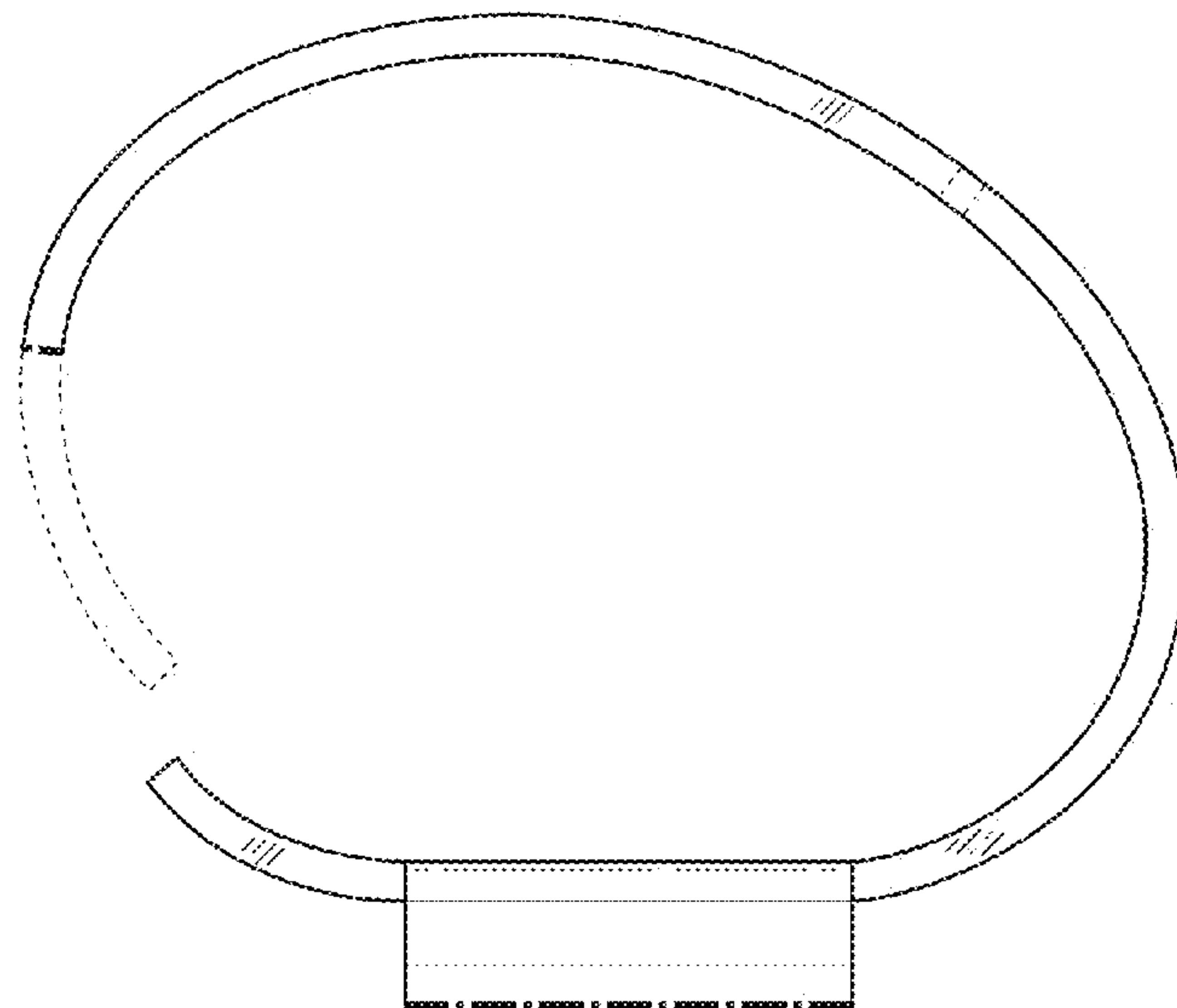


FIG. 5

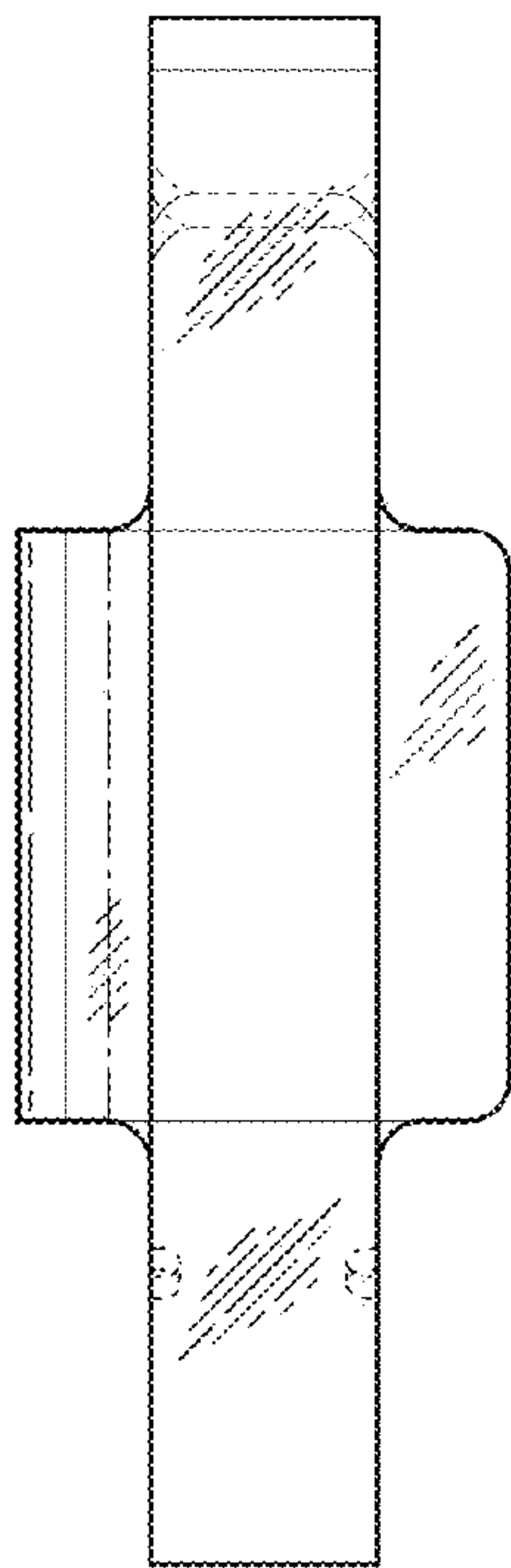


FIG. 6

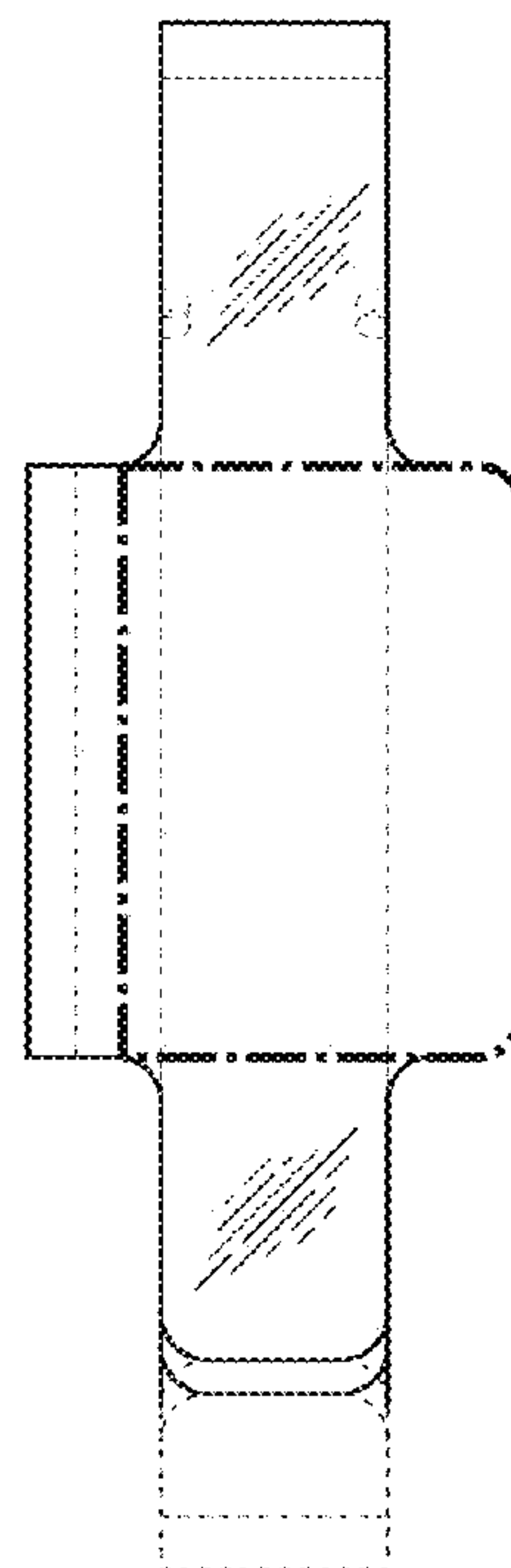


FIG. 7

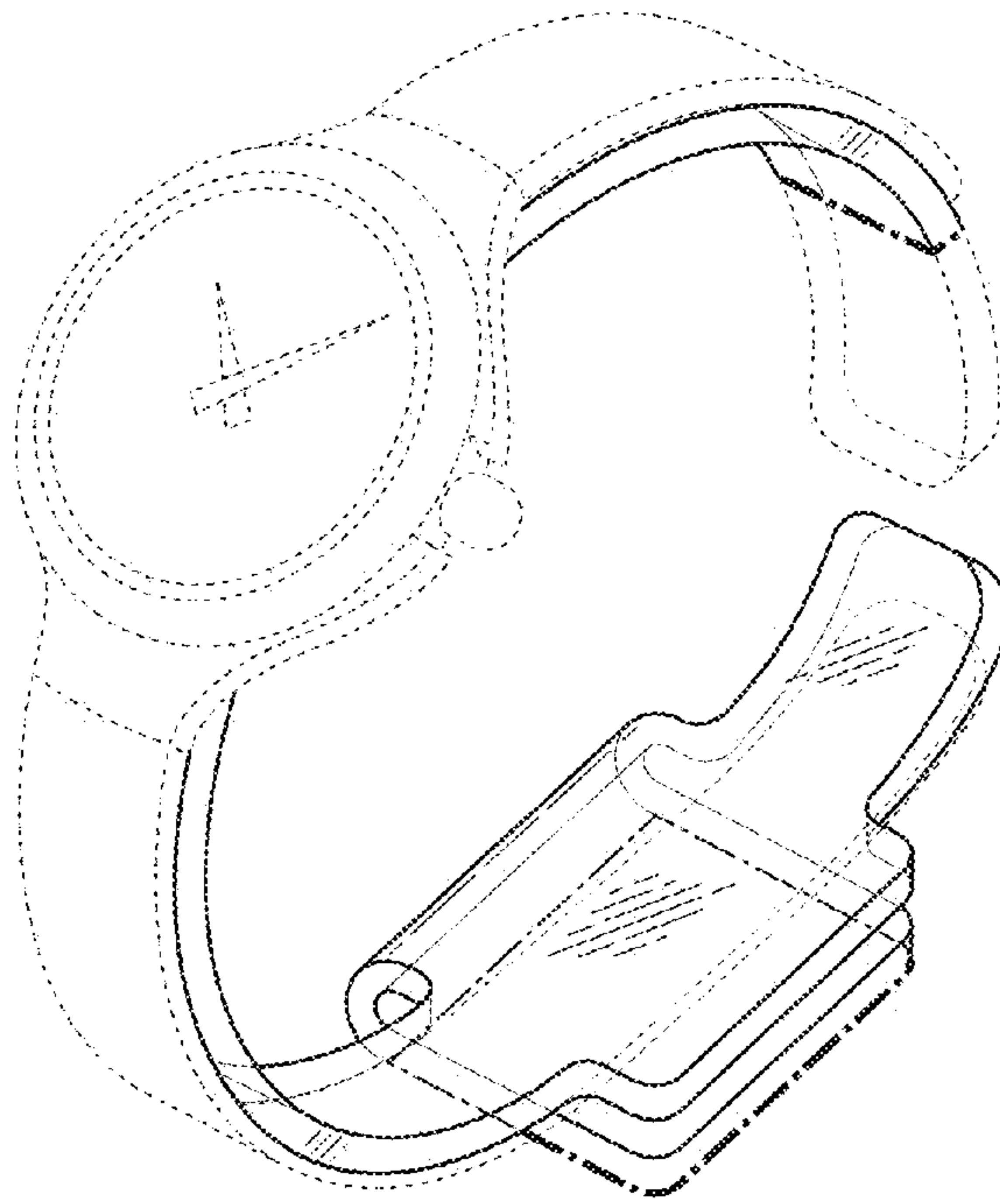


FIG. 8

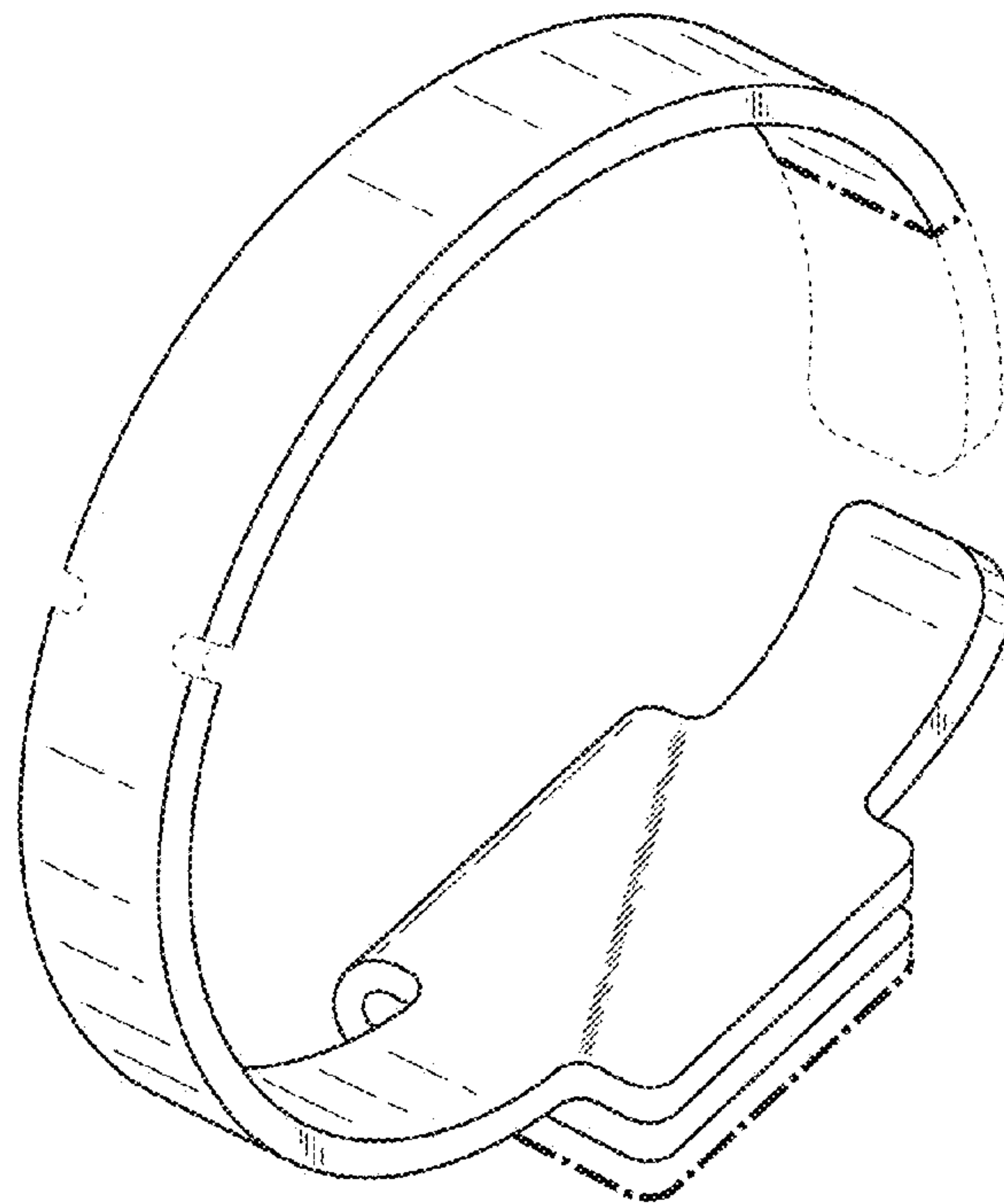


FIG. 9

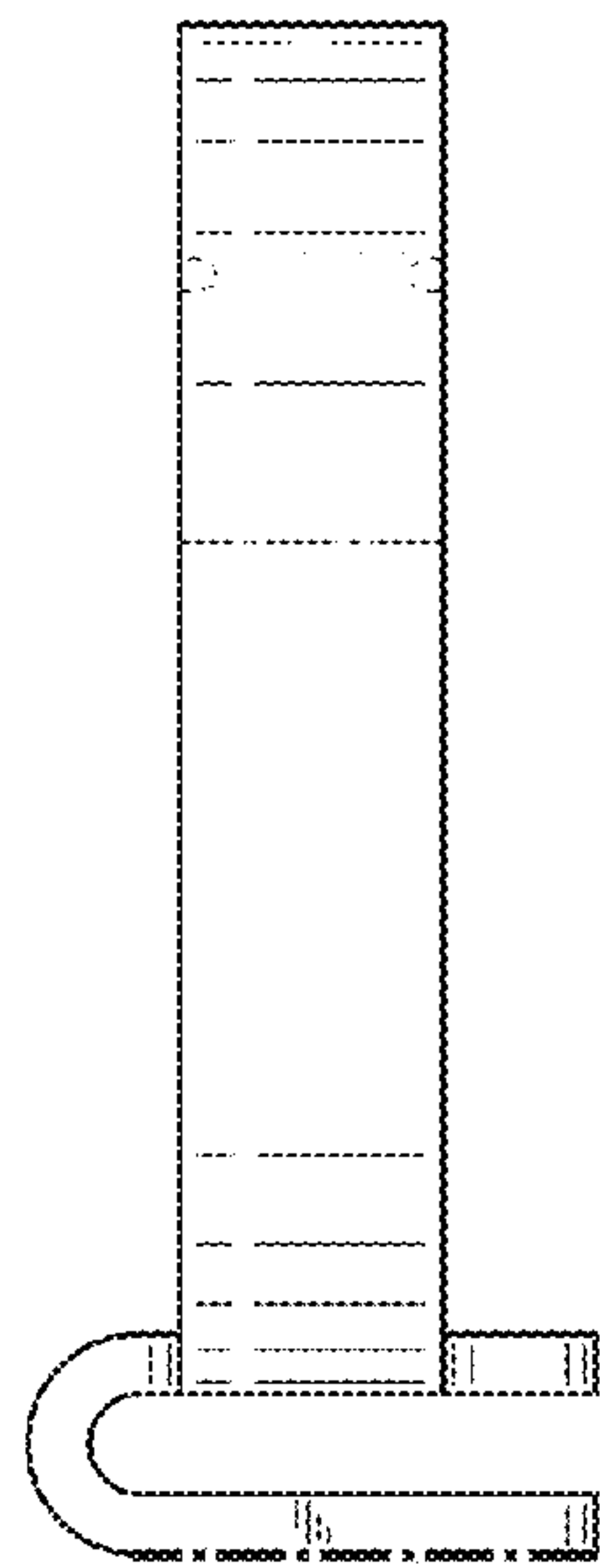


FIG. 10

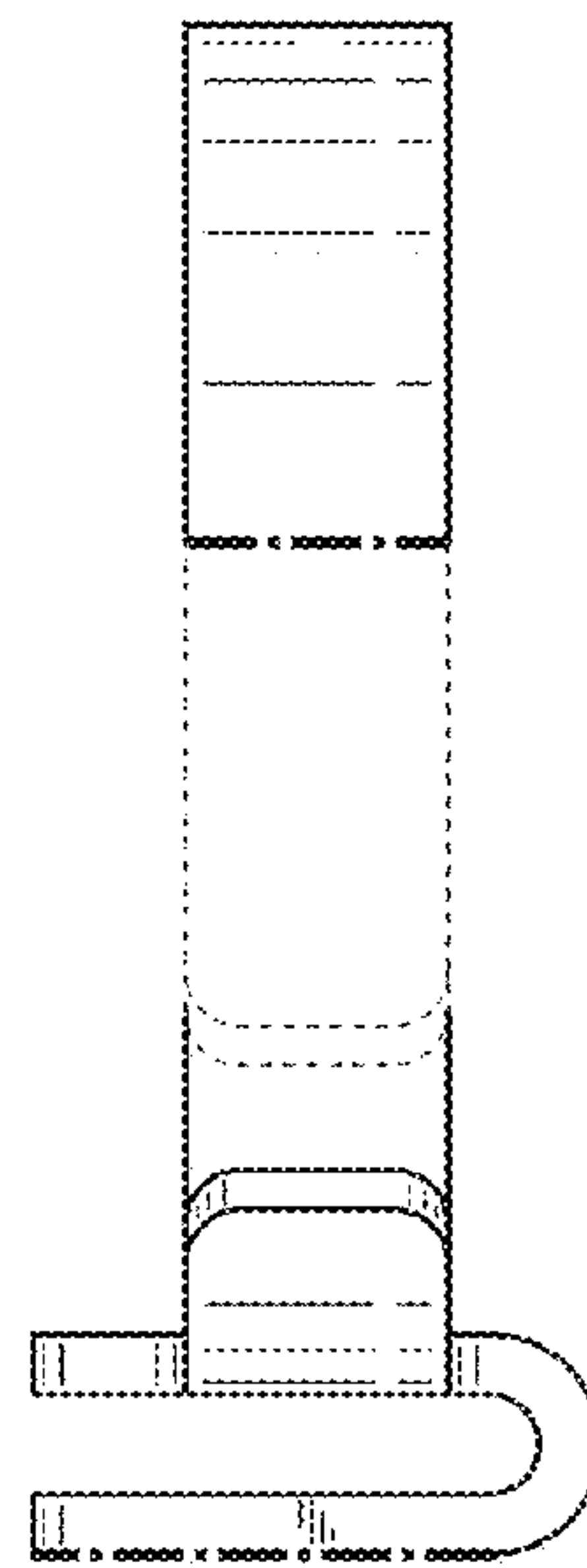


FIG. 11

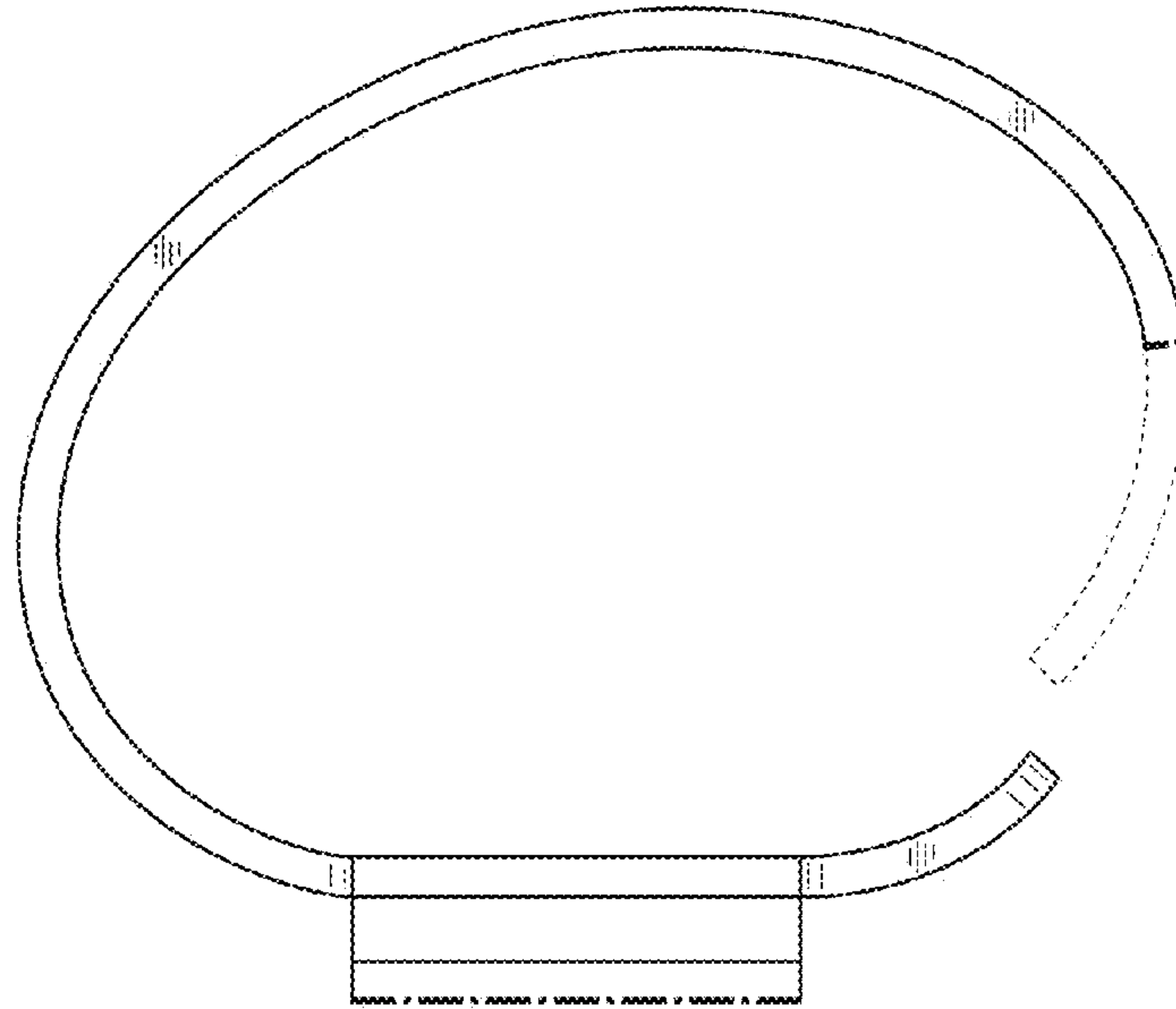


FIG. 12

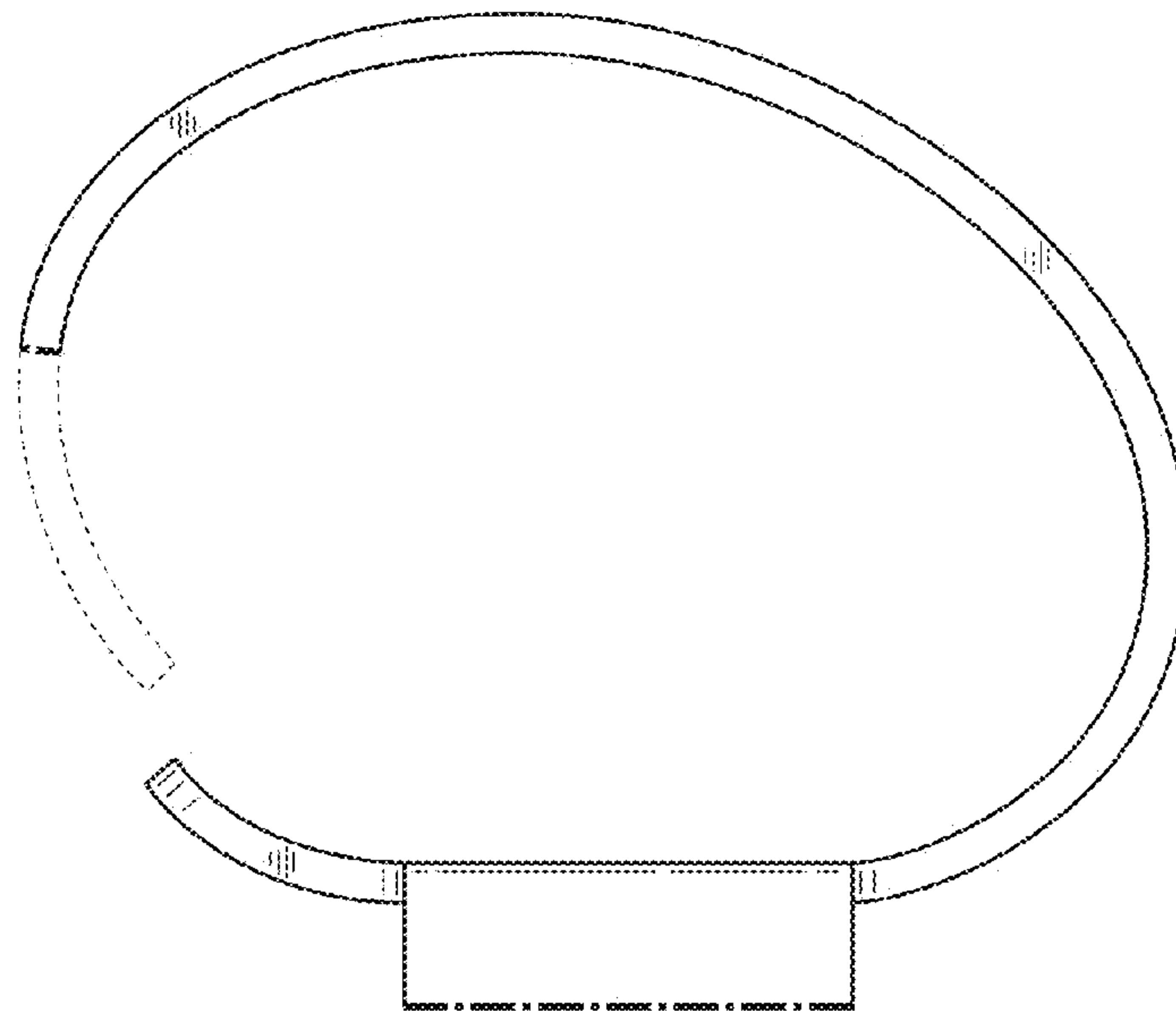


FIG. 13

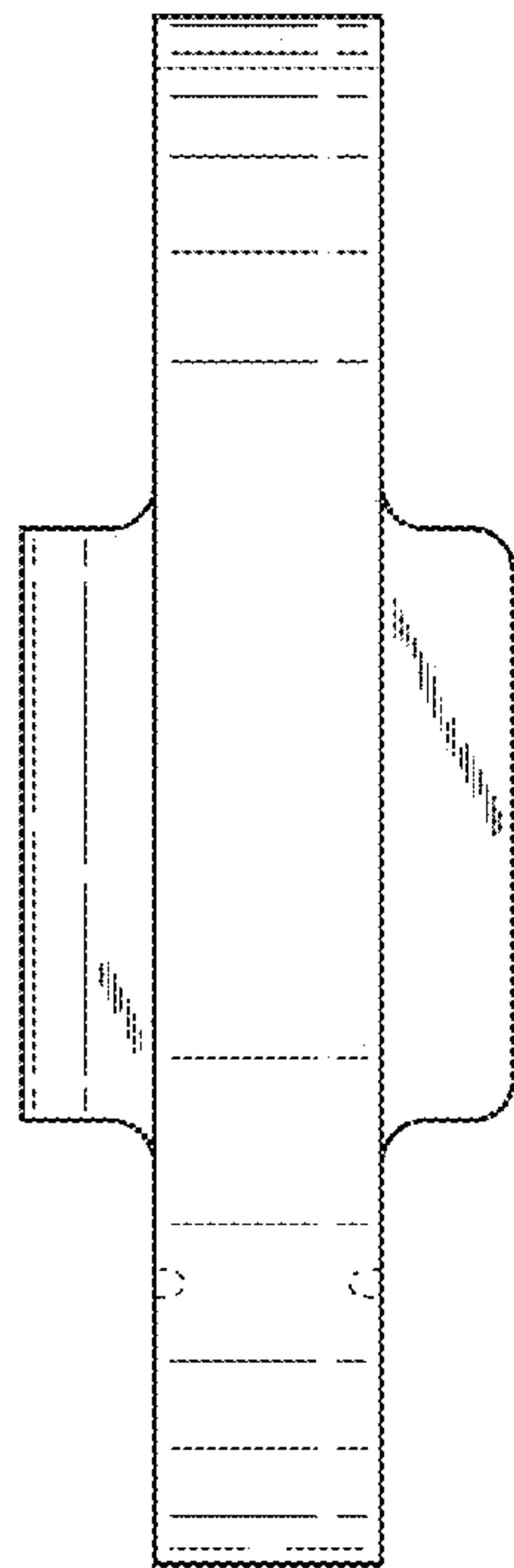


FIG. 14

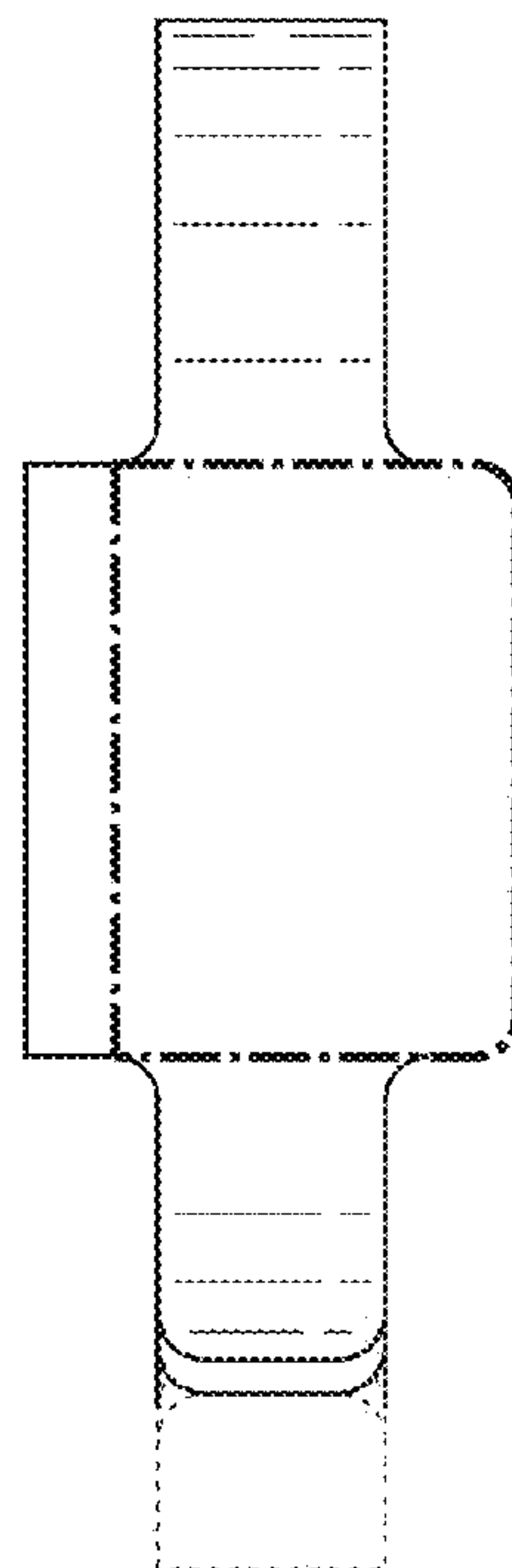


FIG. 15

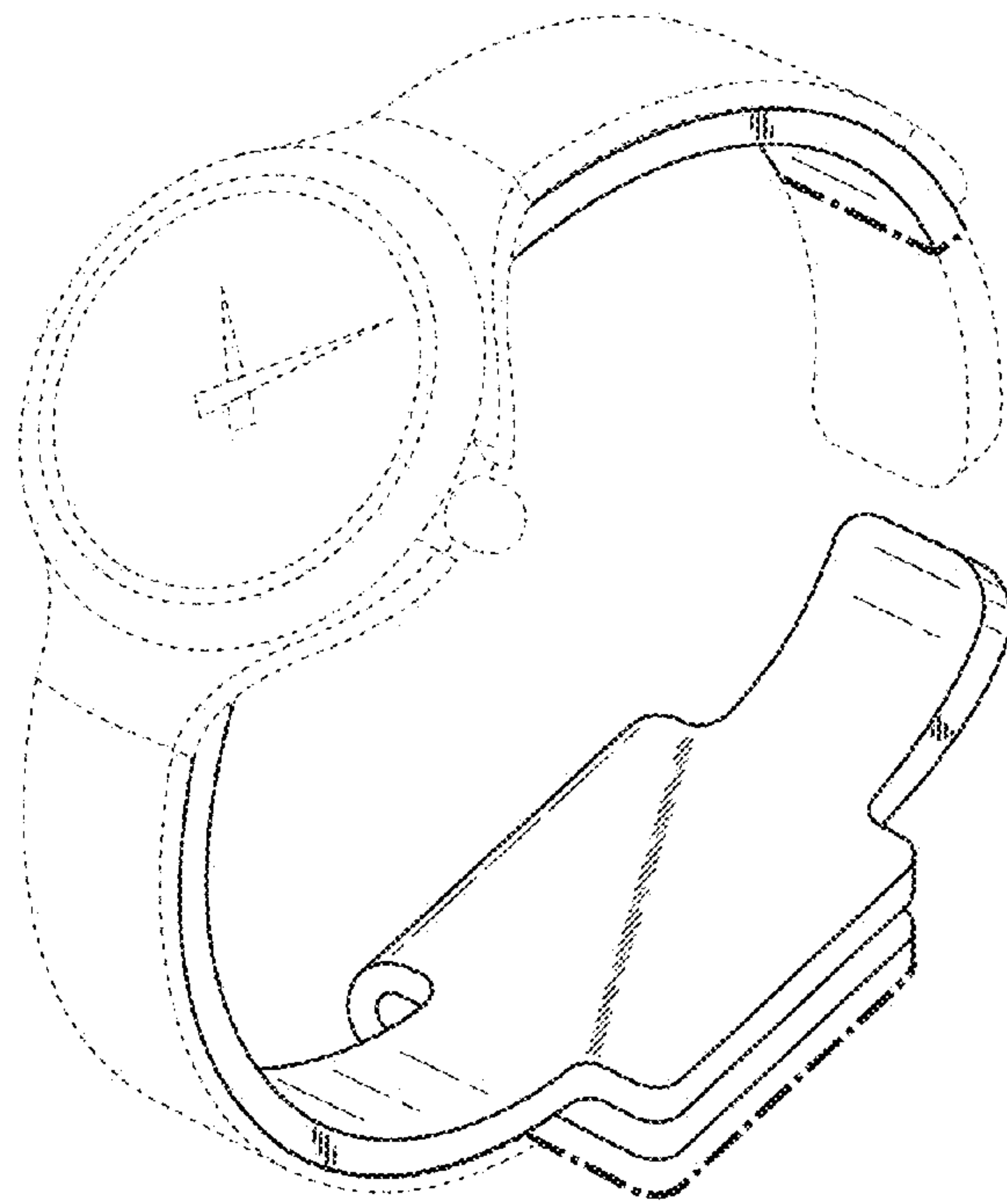


FIG. 16

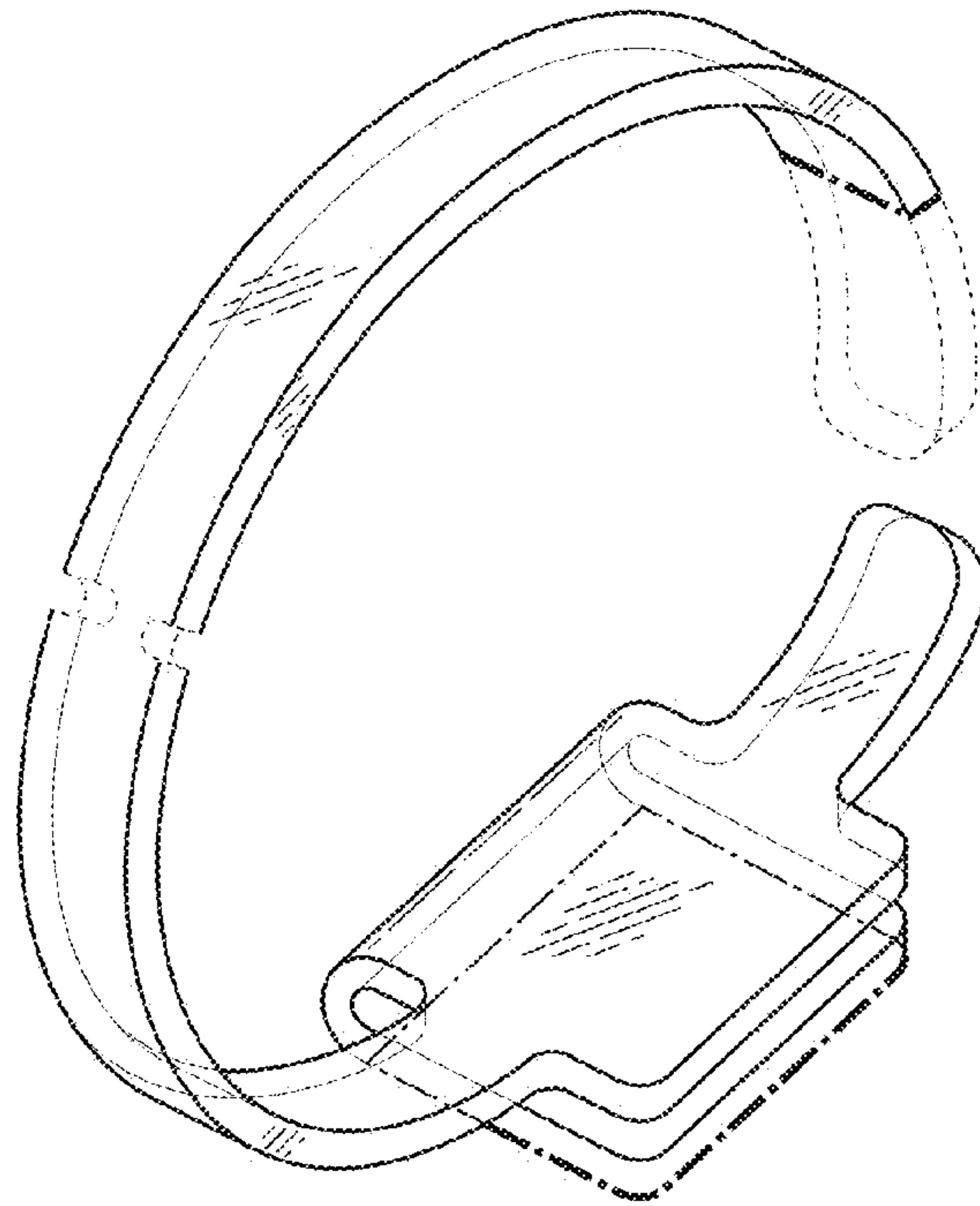


FIG. 17

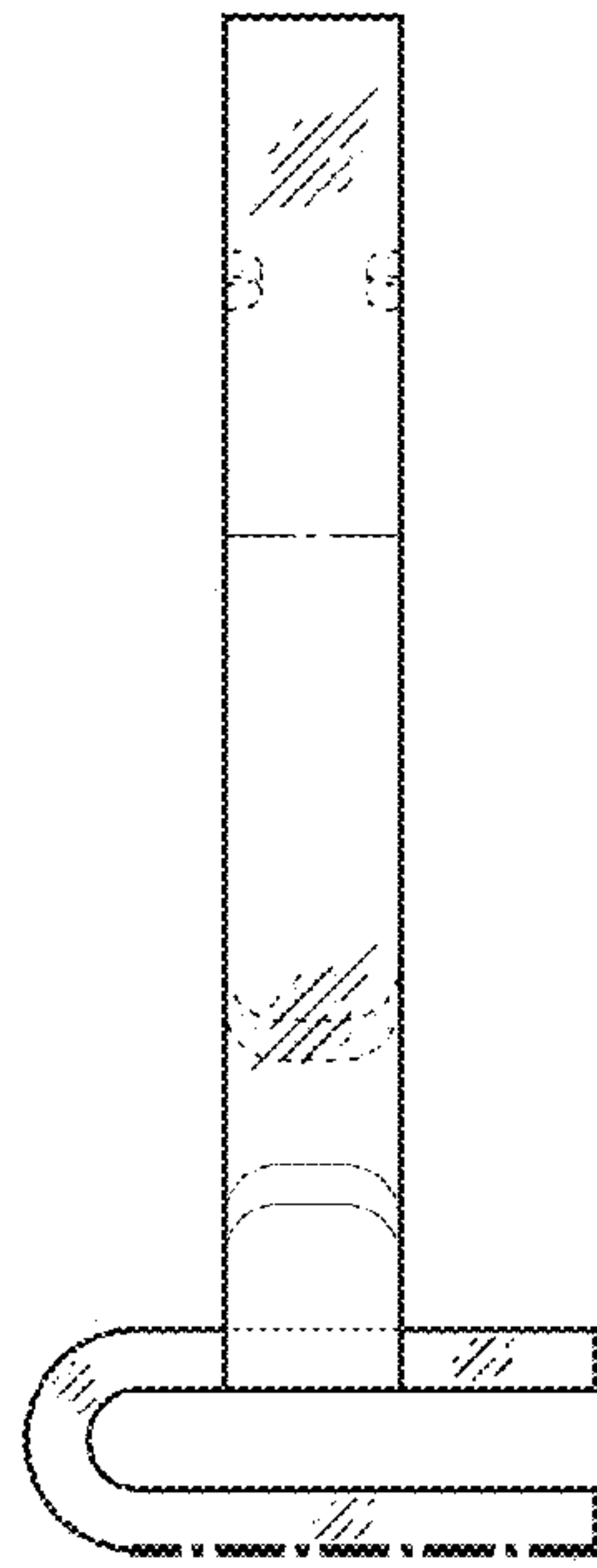


FIG. 18

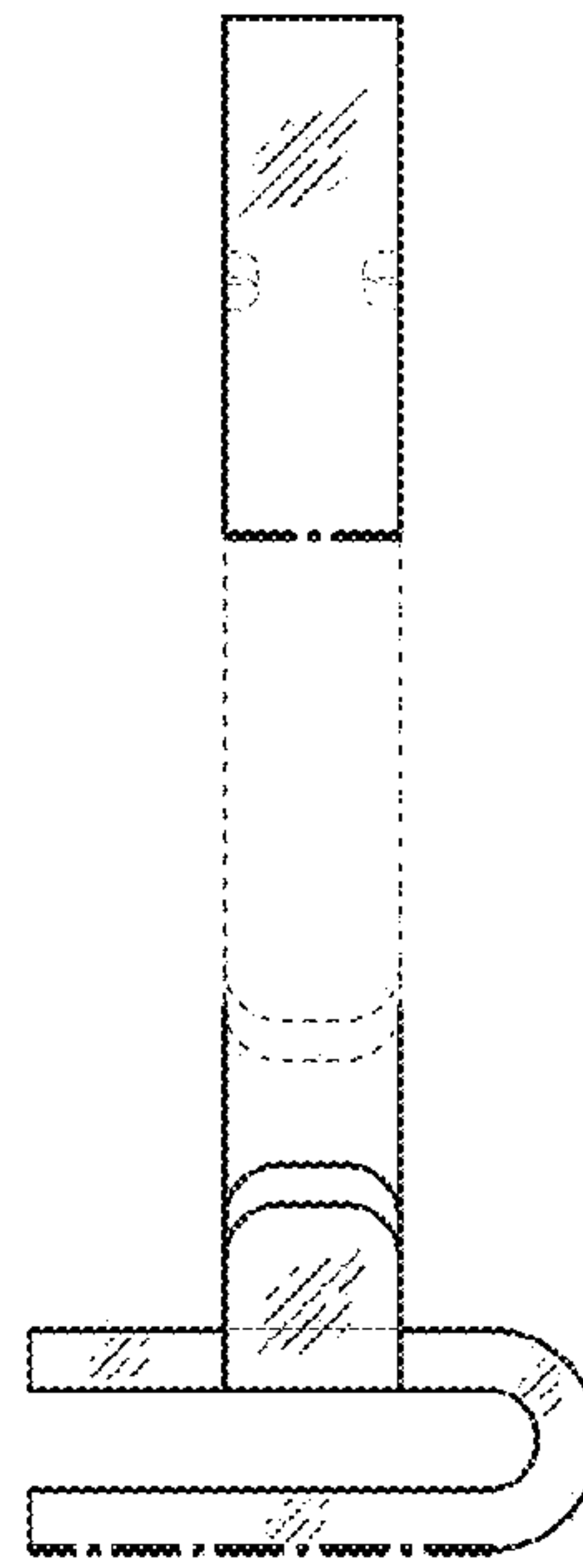


FIG. 19

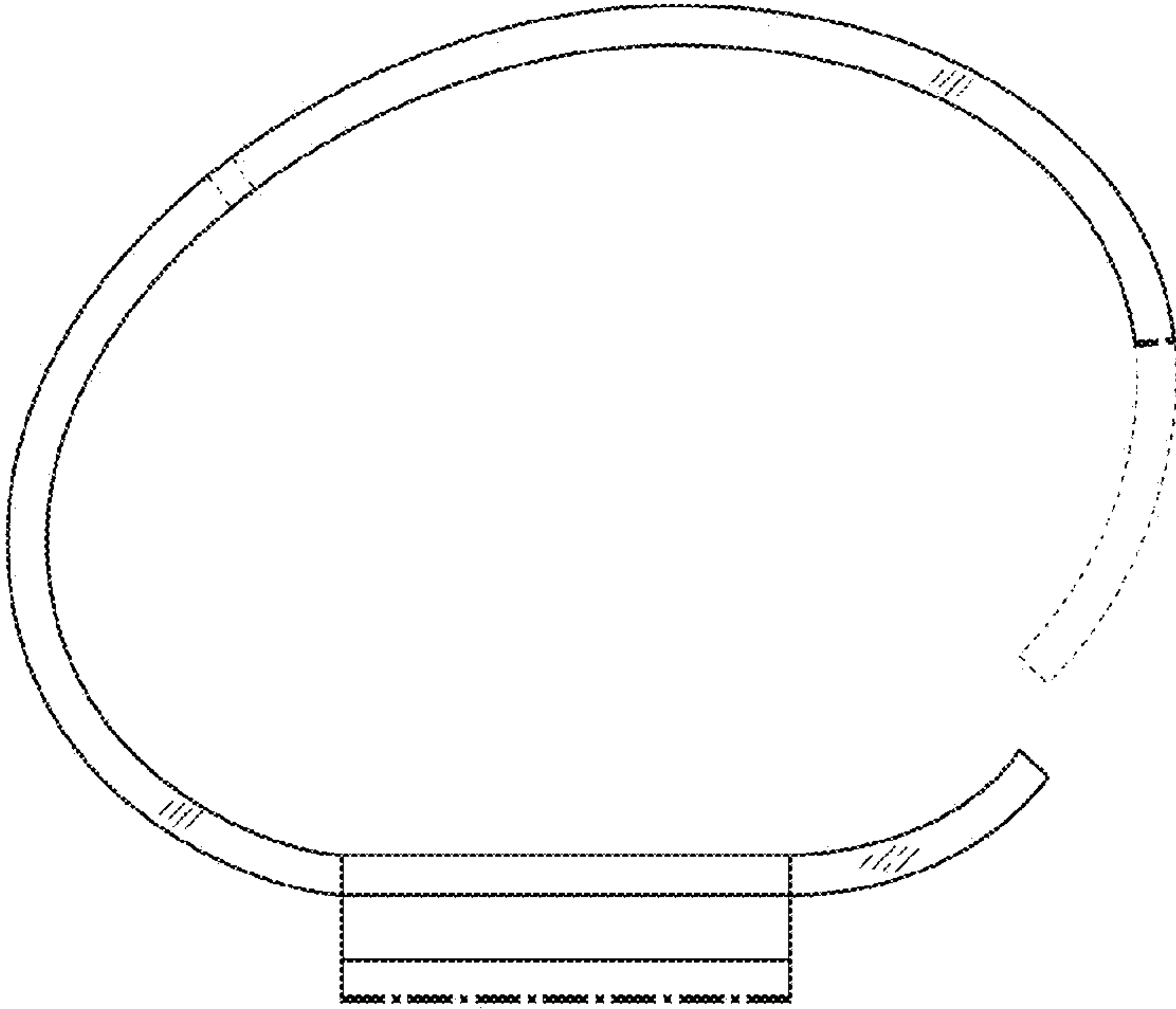


FIG. 20

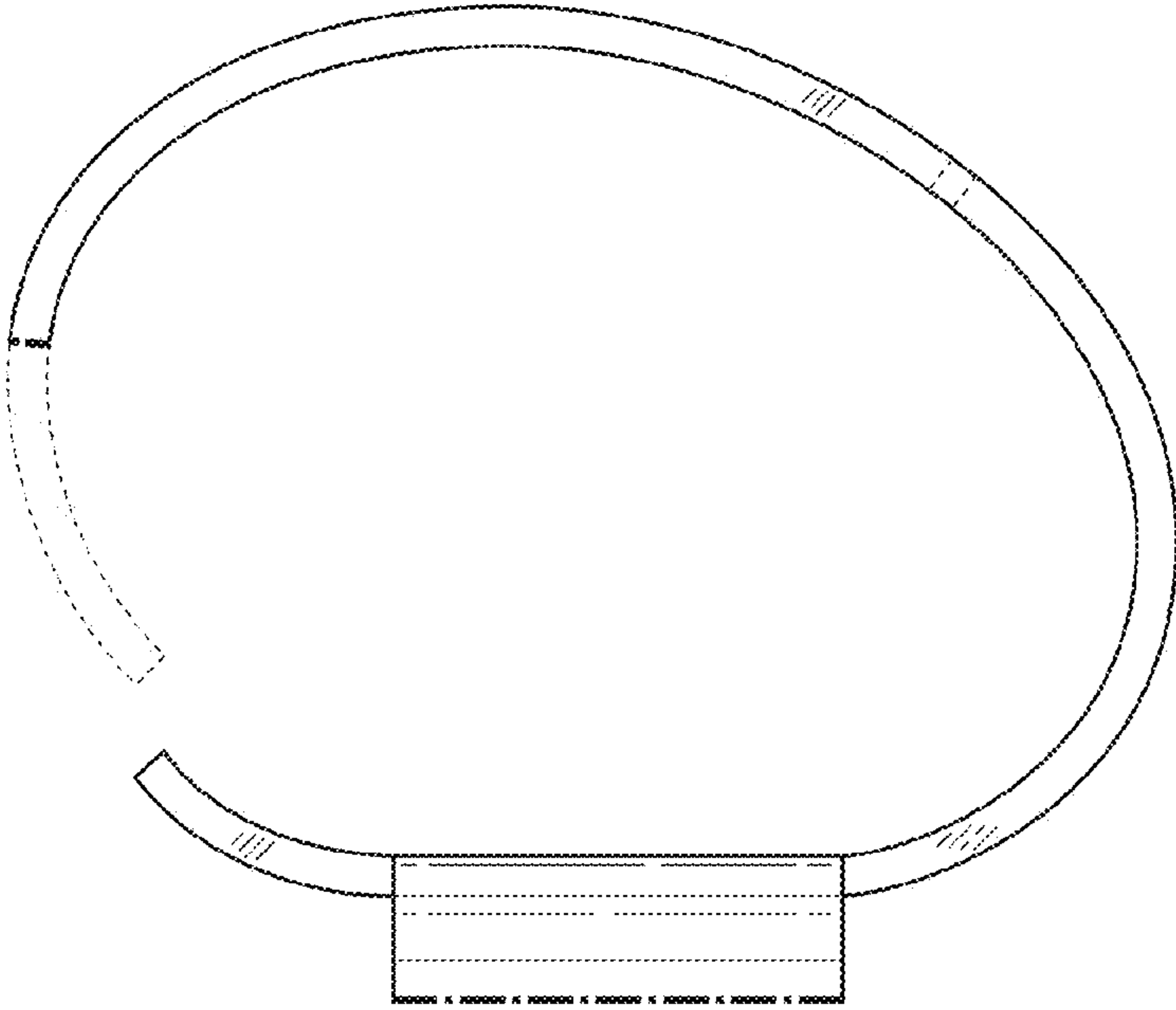


FIG. 21

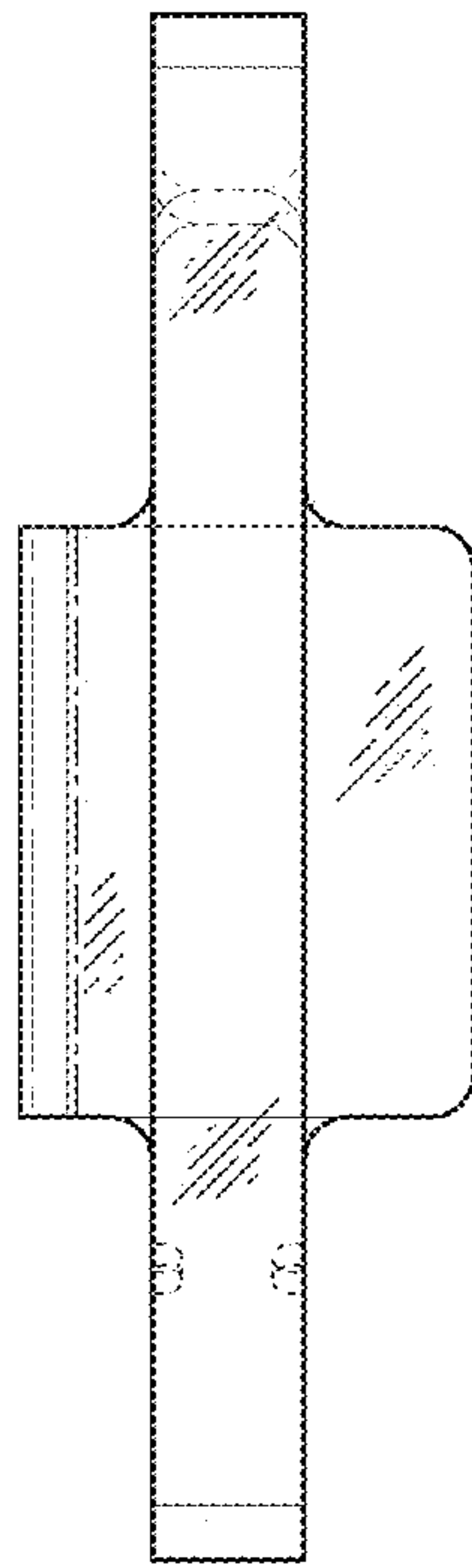


FIG. 22

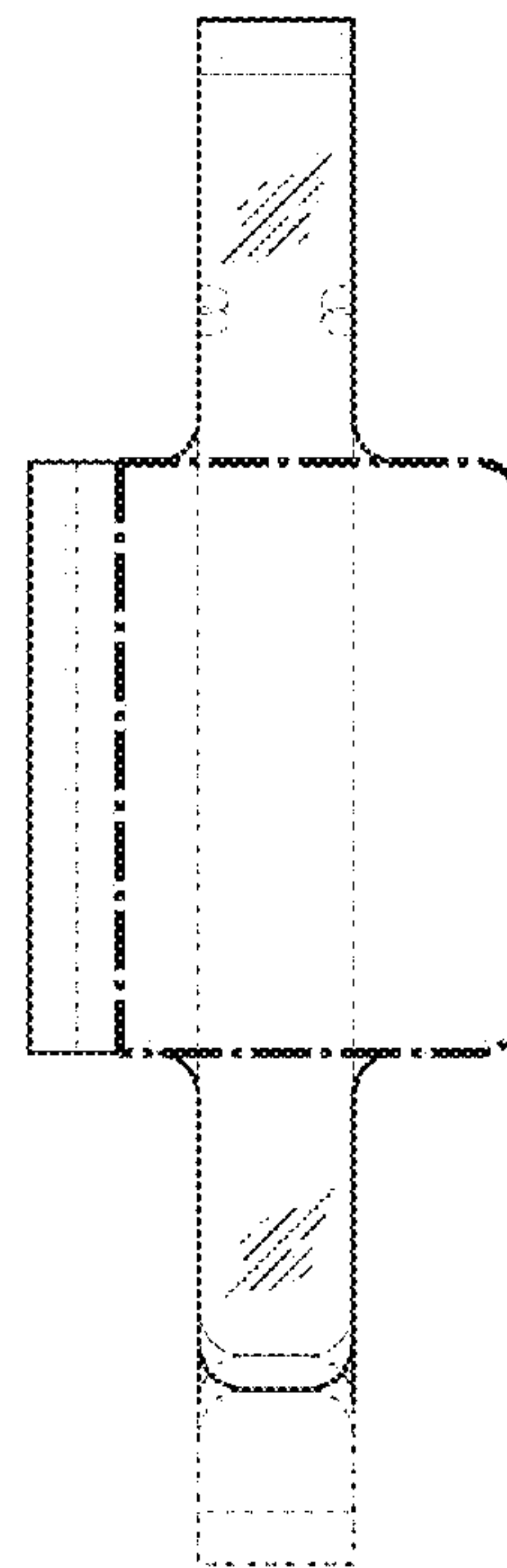


FIG. 23

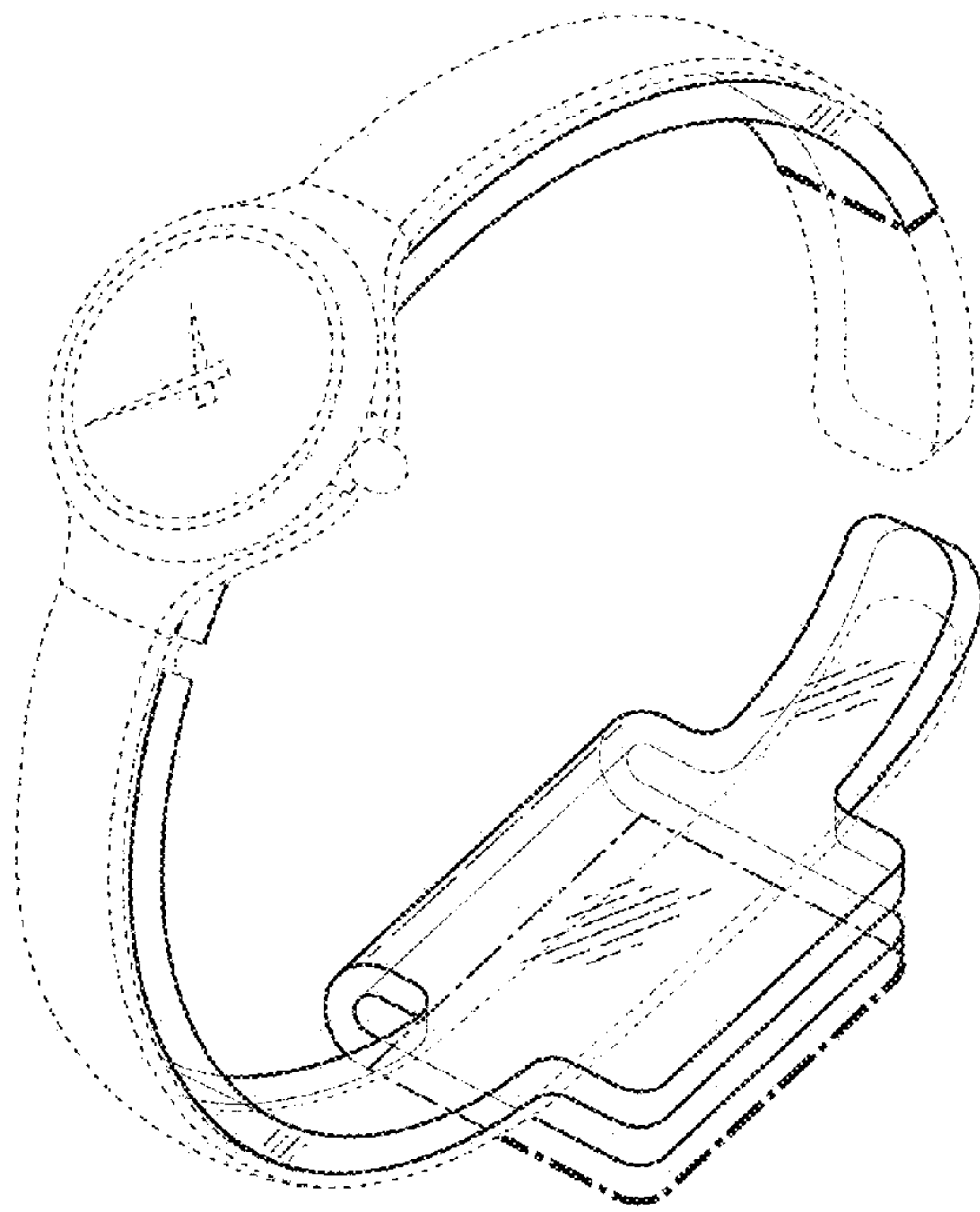


FIG. 24

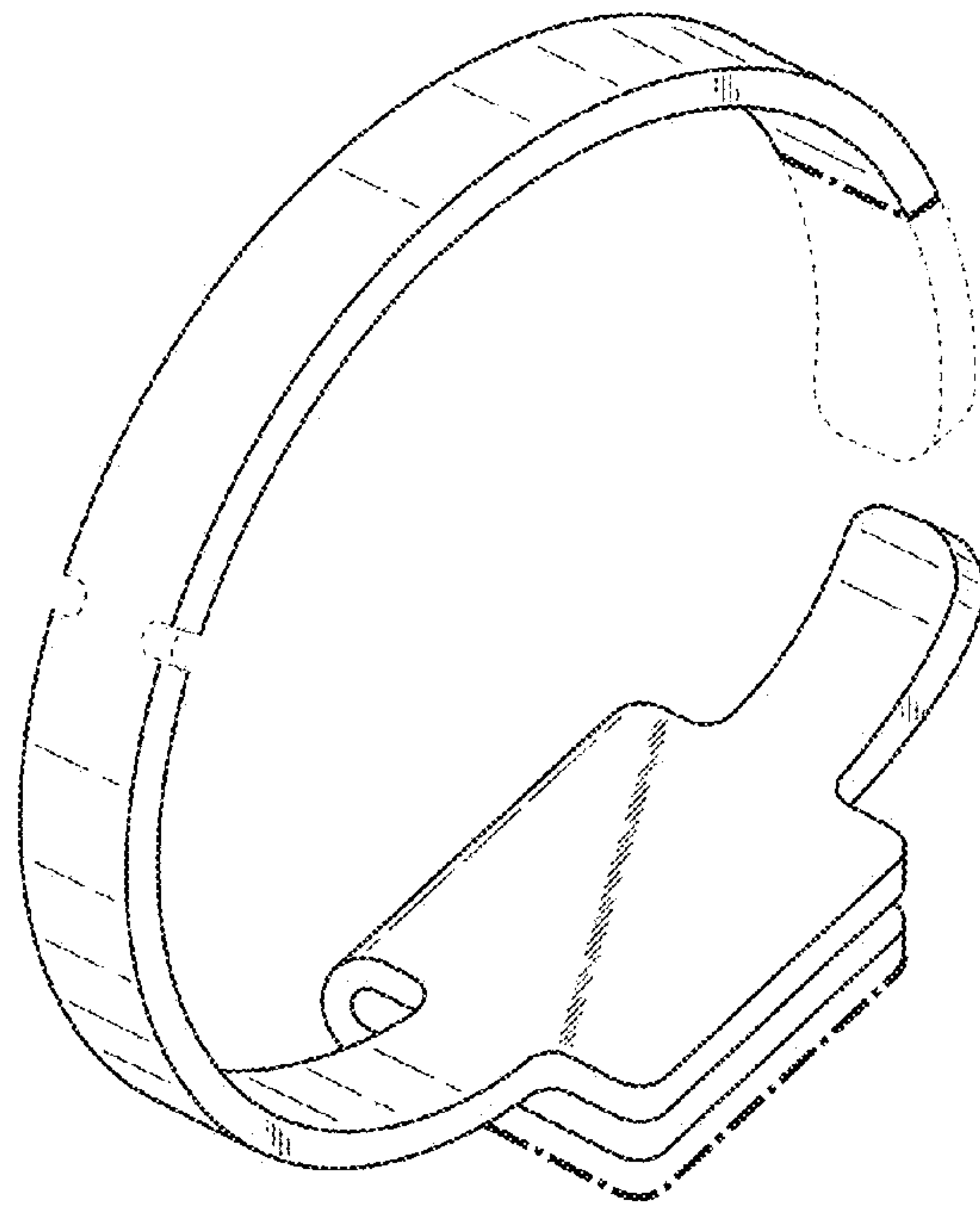


FIG. 25

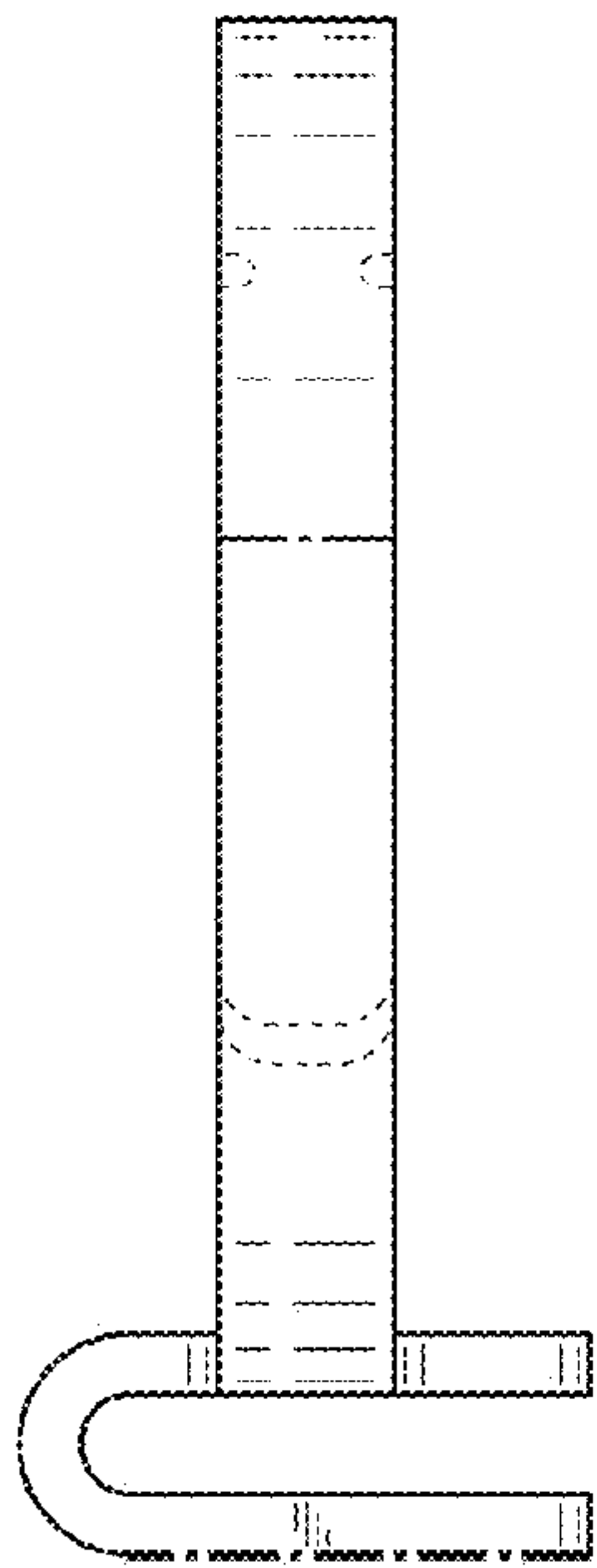


FIG. 26

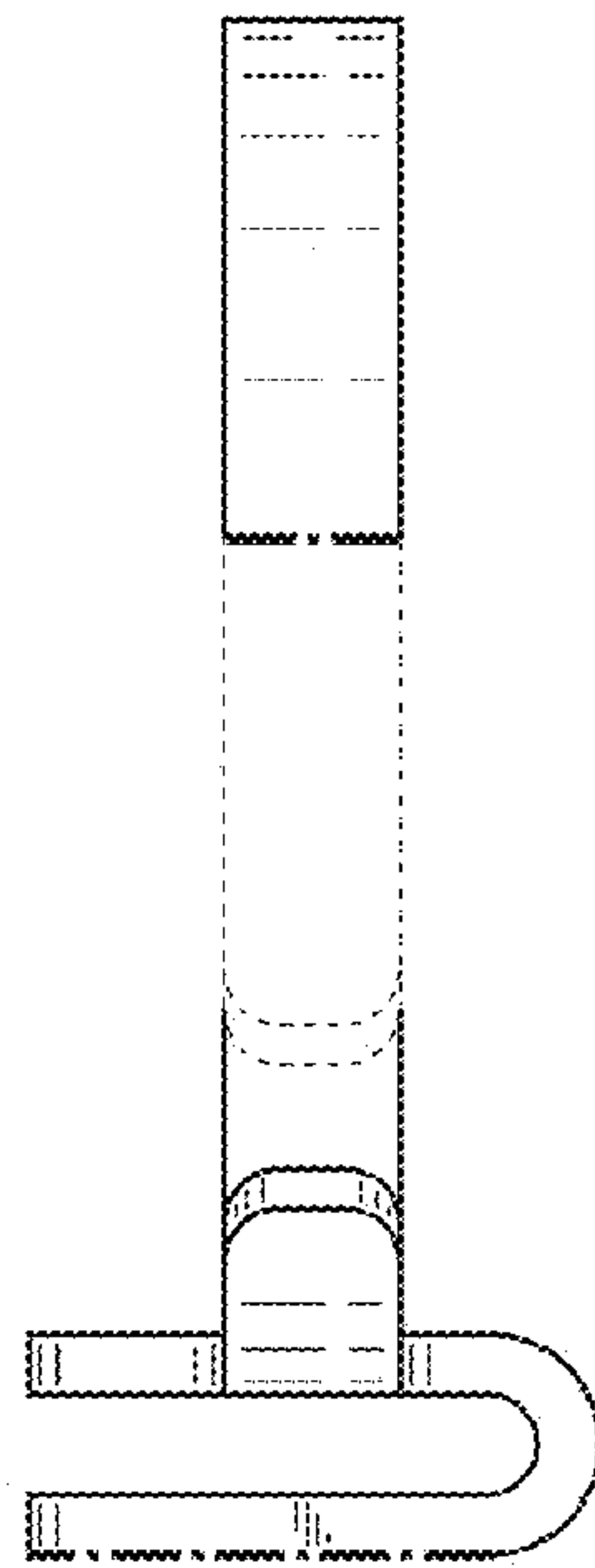


FIG. 27

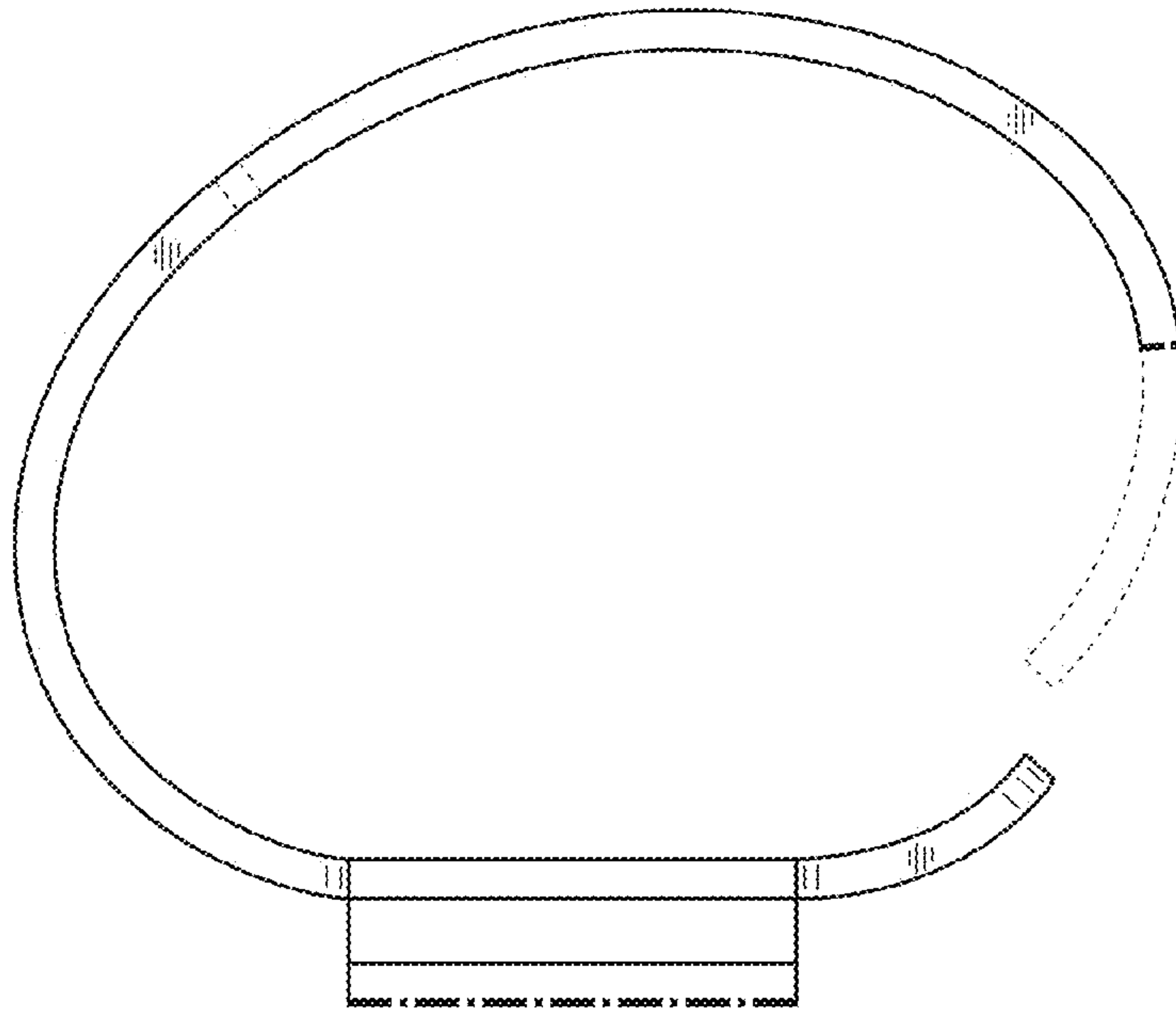


FIG. 28

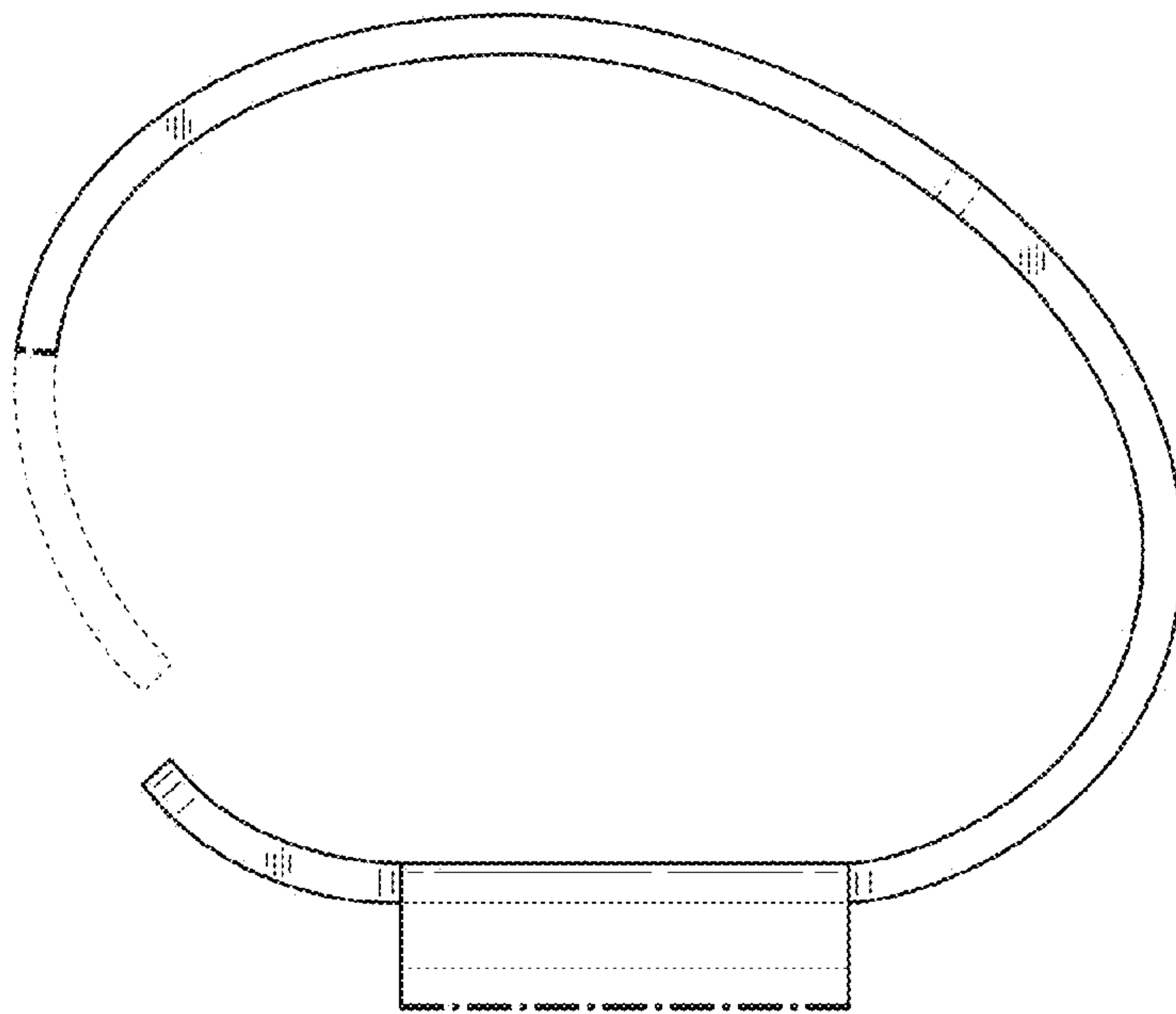


FIG. 29

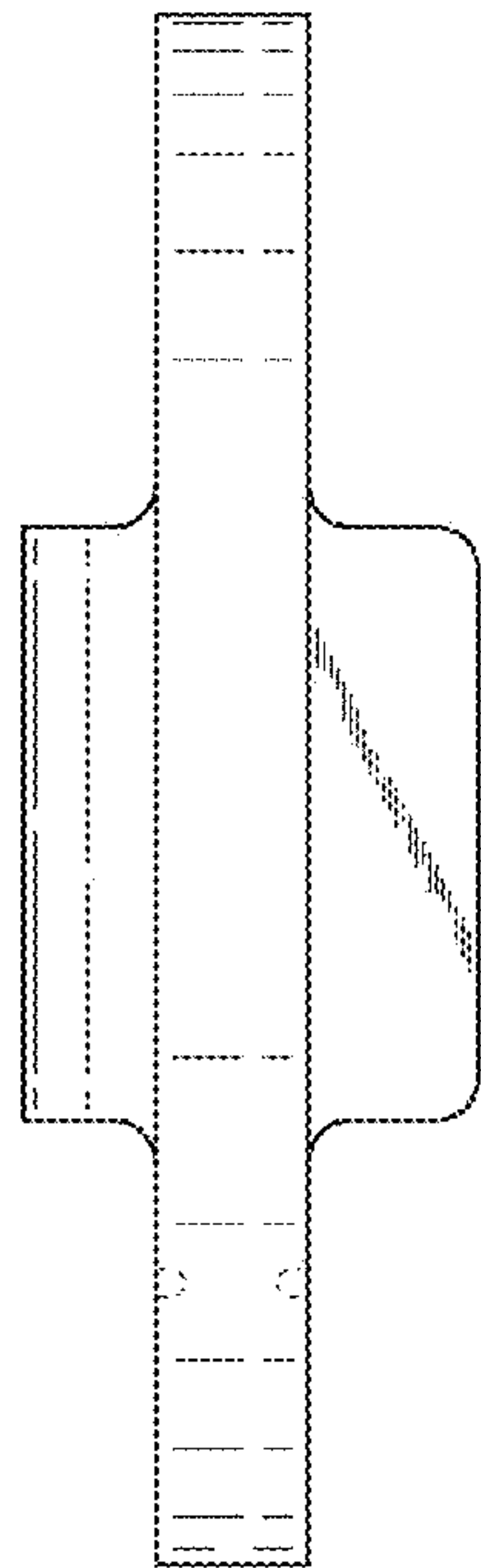


FIG. 30

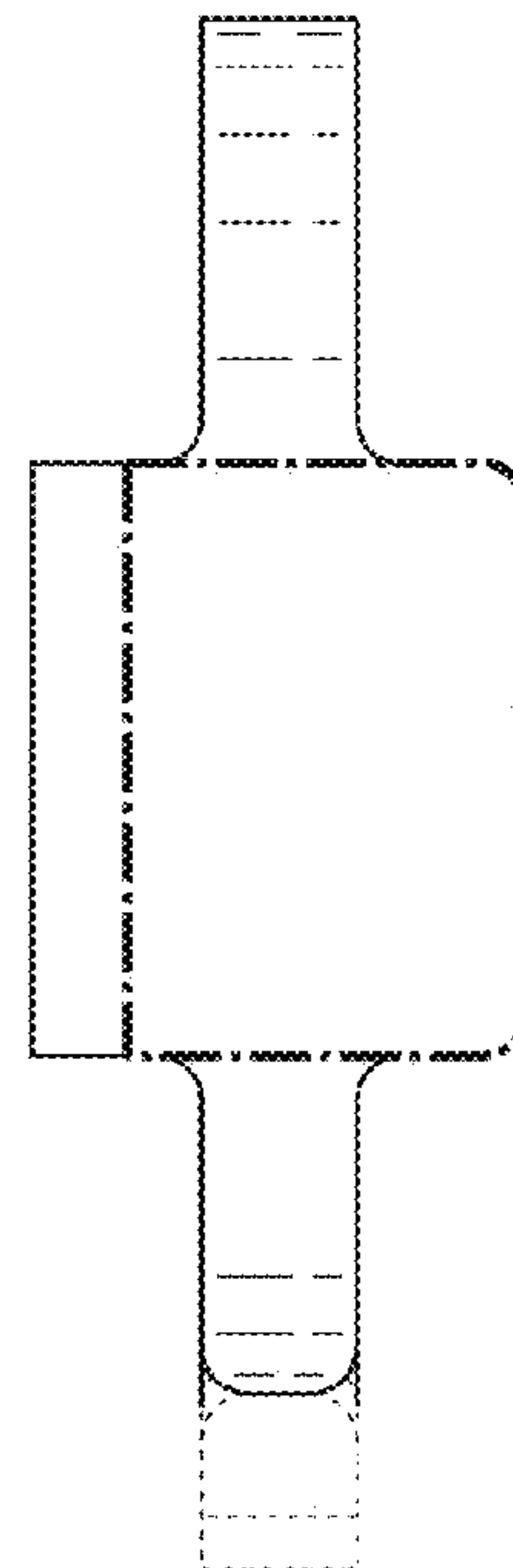


FIG. 31

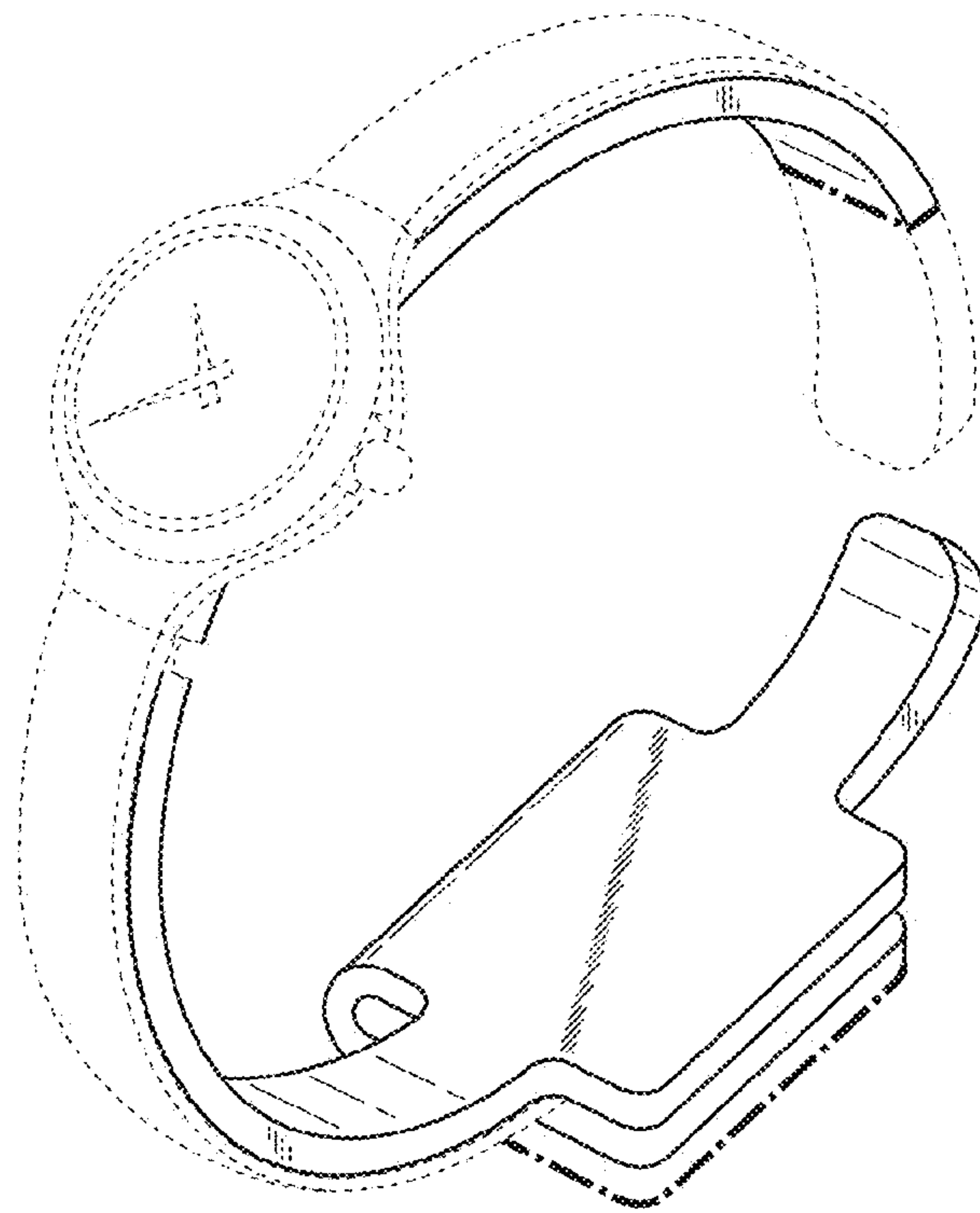


FIG. 32