



US00D752906S

(12) **United States Design Patent**  
**Gunderson et al.**

(10) **Patent No.:** **US D752,906 S**  
(45) **Date of Patent:** **\*\* Apr. 5, 2016**

(54) **CART**

FOREIGN PATENT DOCUMENTS

(71) Applicant: **TARGET BRANDS, INC.**,  
Minneapolis, MN (US)

CA 2545424 A1 8/2007

(72) Inventors: **Jennifer J. Gunderson**, Saint Paul, MN  
(US); **Douglas Le'Spencer Walker**,  
Minneapolis, MN (US)

OTHER PUBLICATIONS

“Move-In Morgantown”, printed from <https://morgantownwv.wordpress.com/tag/wvu-dorms/>, posted May 1, 2010 (4 pages).

(Continued)

(73) Assignee: **Target Brands, Inc.**, Minneapolis, MN  
(US)

*Primary Examiner* — Kelley Donnelly

(74) *Attorney, Agent, or Firm* — Griffiths & Seaton PLLC;  
JoAnn M. Seaton

(\*\*) Term: **14 Years**

(57) **CLAIM**

The ornamental design for a cart, as shown and described.

(21) Appl. No.: **29/515,822**

(22) Filed: **Jan. 27, 2015**

**DESCRIPTION**

(51) **LOC (10) Cl.** ..... **06-06**

(52) **U.S. Cl.**  
USPC ..... **D6/675.1**

(58) **Field of Classification Search**  
USPC ..... D34/12-27; D6/675, 675.1, 675.4;  
D3/304-315, 273, 277  
CPC ..... B62B 3/14; B62B 3/144; B62B 3/1496;  
B62B 3/1404; B62B 3/1408; B62B 3/1472  
See application file for complete search history.

FIG. 1 is a front, perspective view of a cart showing our new design;  
FIG. 2 is a front view thereof, the rear view being a mirror image of the front view;  
FIG. 3 is a right side view thereof, the left side view being a mirror image of the right side view;  
FIG. 4 is a top view thereof; and  
FIG. 5 is a bottom view thereof.  
FIG. 6 is a front, perspective view of the cart of FIG. 1 shown with additional environmental subject matter;  
FIG. 7 is a front view thereof, the rear view being a mirror image of the front view;  
FIG. 8 is a right side view thereof, the left side view being a mirror image of the right side view;  
FIG. 9 is a top view thereof; and  
FIG. 10 is a bottom view thereof.

In the drawings, the broken lines depict portions of the illustrated embodiments or environmental subject matter thereto forming no part of the claimed design. The features shown in long dash-short dash bolded broken lines indicate the bounds of the claimed design and otherwise form no part of the claimed design.

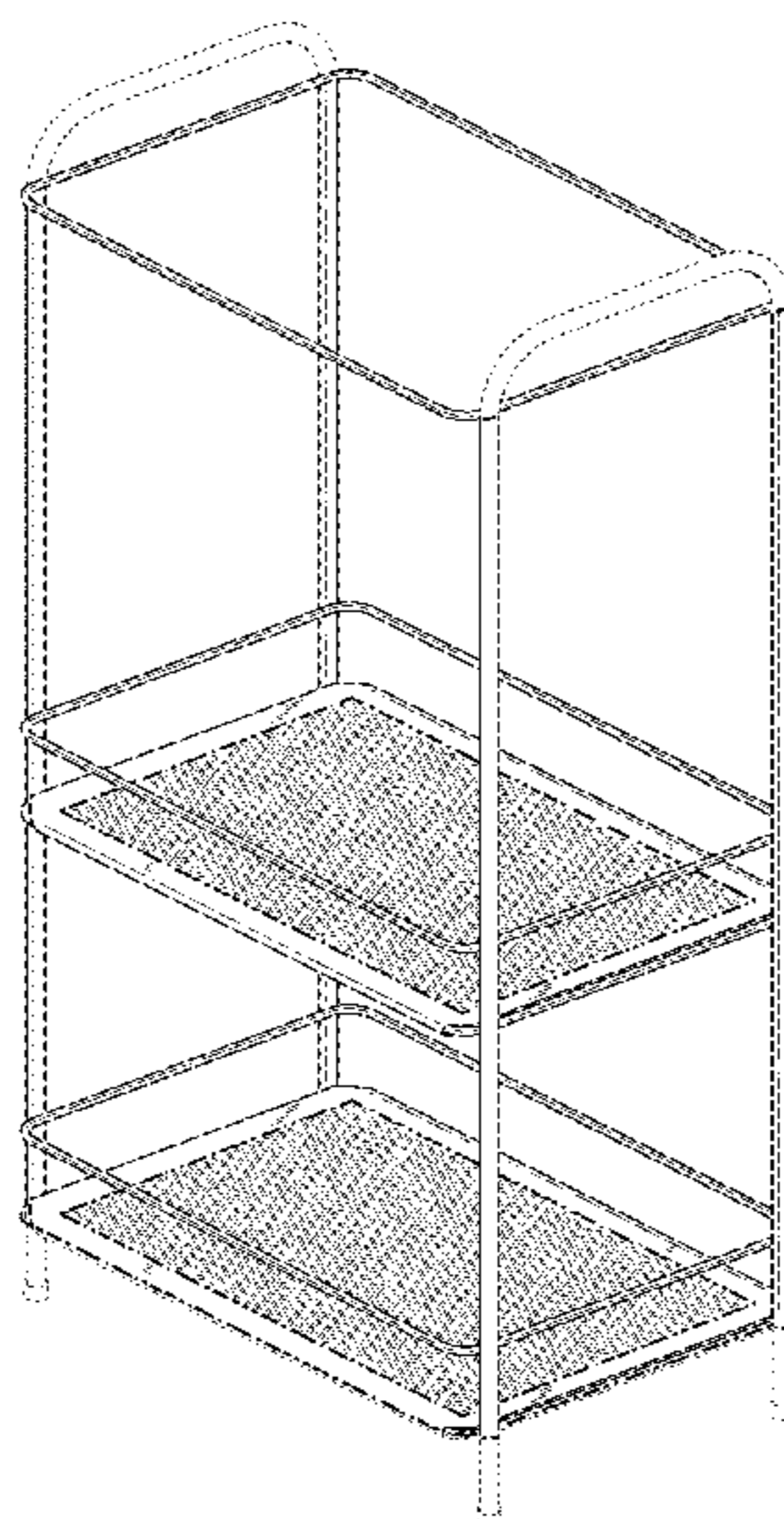
(56) **References Cited**

U.S. PATENT DOCUMENTS

893,786 A	7/1908	Collis	
D207,308 S	4/1967	Bell	
3,589,746 A	6/1971	Inglis et al.	
D285,991 S	* 10/1986	Madsen	..... D6/407
D288,331 S	2/1987	Huldt	
D292,764 S	11/1987	Kester	
4,754,885 A	7/1988	Rich	
4,770,300 A	9/1988	Klein	
D300,488 S	4/1989	Yoshikawa	
D301,076 S	5/1989	Yoshikawa	
D301,790 S	6/1989	Ivano	

(Continued)

**1 Claim, 8 Drawing Sheets**



(56)

References Cited

U.S. PATENT DOCUMENTS

D302,066	S	7/1989	Yoshikawa	
D303,444	S	9/1989	Yoshikawa	
D307,348	S	4/1990	Yoshikawa	
D316,494	S	4/1991	Kee	
D330,963	S	11/1992	Hampshire	
D333,895	S	3/1993	Niemeyer	
D354,382	S	1/1995	Mogensen	
D364,272	S	11/1995	Brightbill	
D372,583	S	8/1996	Brightbill	
D395,362	S	6/1998	Fink et al.	
D401,067	S	11/1998	Hampshire	
D409,019	S *	5/1999	Crinion	D34/21
D411,045	S	6/1999	Morandi	
D411,903	S *	7/1999	Arvans	D34/21
5,971,192	A	10/1999	Immerman et al.	
D421,336	S	3/2000	Demore et al.	
D422,433	S *	4/2000	Ho	D6/675.1
D429,400	S	8/2000	Walters-Dowding et al.	
D429,865	S	8/2000	Bartz, Jr. et al.	
D430,375	S *	8/2000	Tezak	D34/21
D433,709	S	11/2000	Hardy	
D434,257	S	11/2000	Andujar	
D436,239	S *	1/2001	Walsh	D34/17
D452,394	S	12/2001	Walters-Dowding et al.	
D460,848	S	7/2002	Tzeng	
D471,033	S	3/2003	Yamaguchi	
D474,603	S	5/2003	Berenguer	
D517,769	S	3/2006	Post et al.	
D522,276	S *	6/2006	Povich	D6/675.4
D541,558	S *	5/2007	Meyer	D6/675.1
7,229,085	B2 *	6/2007	Pederson	A63B 47/00 211/14
D556,476	S	12/2007	Butler et al.	
D561,972	S *	2/2008	Roever	D34/17
D588,840	S	3/2009	Dretzka	
D610,769	S *	2/2010	Post	D34/21
D649,352	S	11/2011	Cittadino et al.	
D665,848	S	8/2012	Lee	
D683,567	S	6/2013	Hsu et al.	
D696,049	S	12/2013	Hsu et al.	
D703,412	S	4/2014	Snider et al.	
D734,914	S *	7/2015	Tsai	D34/21
D742,613	S *	11/2015	Hu	D34/21
2008/0203042	A1	8/2008	Felsenthal	
2009/0166991	A1 *	7/2009	Cai	A47B 31/00 280/47.35
2010/0288717	A1 *	11/2010	Morandi	A47B 43/00 211/187

OTHER PUBLICATIONS

“2-Tier Bath Tower”, printed from [www.containerstore.com/shop/bath/showerBathtubOrganization?productId=10036535](http://www.containerstore.com/shop/bath/showerBathtubOrganization?productId=10036535), publicly available at least as early as Mar. 4, 2014 (3 pages).

“A Necessity for a College Shower—The Shower Caddy”, printed from [www.thedormitoryonline.com/shower-caddy.html](http://www.thedormitoryonline.com/shower-caddy.html), publicly available at least as early as Oct. 16, 2014 (4 pages).

“Metal Storage Cart on Wheels”, printed from [www.amazon.com/3-tier-Metal-Storage-Cart-Wheels/dp/B00E4PYKR6](http://www.amazon.com/3-tier-Metal-Storage-Cart-Wheels/dp/B00E4PYKR6), publicly available at least as early as Oct. 22, 2013 (4 pages).

“Wire World 3-Tier Rolling Cart, White”, printed from [www.amazon.com/Wire-World-3-Tier-Rolling-White/dp/B005G0FR0W](http://www.amazon.com/Wire-World-3-Tier-Rolling-White/dp/B005G0FR0W), publicly available at least as early as Dec. 11, 2011 (6 pages).

“Bath Basket Caddy”, printed from [http://www.dormco.com/Bath\\_Basket\\_Caddy\\_College\\_dorm\\_](http://www.dormco.com/Bath_Basket_Caddy_College_dorm_), publicly available at least as early as Oct. 15, 2014 (2 pages).

“Bronze Wire Cart with Wheels, 3-Tier, Medium”, printed from <http://theorganizingstore.com/richards-3-tier-bronze-wire-cart-wheels-medium--rolling-organizer.html>, publicly available at least as early as Oct. 16, 2014 (3 pages).

“Honey-Can-Do® Steel 3-Drawer Rolling Storage Cart”, printed from [www.bedbathandbeyond.com/1/1/136127-honey-can-do-steel-3-drawer-rolling-storage-cart.html](http://www.bedbathandbeyond.com/1/1/136127-honey-can-do-steel-3-drawer-rolling-storage-cart.html), publicly available at least as early as Oct. 24, 2013, per <http://web.archive.org> (3 pages).

“Spa Creations 3-Tier Rolling Cart with Locking Wheels”, printed from [www.bedbathandbeyond.com/1/1/147124-spa-creations-3-tier-rolling-cart-locking-wheels.html](http://www.bedbathandbeyond.com/1/1/147124-spa-creations-3-tier-rolling-cart-locking-wheels.html), publicly available at least as early as Aug. 22, 2013, per <http://web.archive.org> (3 pages).

“Show Caddy and Basket Set”, printed from [www.walmart.com/ip/Orbz-Shower-Caddy-and-Basket-Set-Black...=01361711252564327140&oid=100143.1&u1=&afflinktype=10&veh=aff](http://www.walmart.com/ip/Orbz-Shower-Caddy-and-Basket-Set-Black...=01361711252564327140&oid=100143.1&u1=&afflinktype=10&veh=aff), publicly available at least as early as Oct. 22, 2014 (3 pages).

“Supreme Laundry Cart”, printed from [www.fengshuiorganizers.com/supreme-laundry-cart.html](http://www.fengshuiorganizers.com/supreme-laundry-cart.html), publicly available at least as early as Oct. 15, 2014 (2 pages).

“Green Grid Totes”, printed from [www.containerstore.com/shop/storage/binsBaskets/viewAll?productId=10010621](http://www.containerstore.com/shop/storage/binsBaskets/viewAll?productId=10010621), publicly available at least as early as Mar. 1, 2010 (3 pages).

“Spa Storage Basket with Chrome Handle”, printed from [www.Int.com/product/shower-caddies/272285-8039/hold-...3](http://www.Int.com/product/shower-caddies/272285-8039/hold-...3), publicly available at least as early as Oct. 14, 2014 (3 pages).

“InterDesign Spa Small Basket with Handles”, printed from [www.walmart.com/ip/21440915?wmlspartner=wlp&adid=2222...g&w12=c&w13=52627930871&w14=&w15=pla&w16=84503259671&veh=sem](http://www.walmart.com/ip/21440915?wmlspartner=wlp&adid=2222...g&w12=c&w13=52627930871&w14=&w15=pla&w16=84503259671&veh=sem), publicly available at least as early as Oct. 16, 2014 (1 page).

“Jumbo Utility Cart”, printed from [www.containerstore.com/shop/kitchen/carts?productId=10000821](http://www.containerstore.com/shop/kitchen/carts?productId=10000821), publicly available at least as early as Mar. 3, 2010 (3 pages).

“Plastic Shower Basket for Shampoo Bottle and Soap Container”, printed from [www.alibaba.com/product-detail/Plastic-Shower-Basket-for-Shampoo-Bottle\\_1961847963.html](http://www.alibaba.com/product-detail/Plastic-Shower-Basket-for-Shampoo-Bottle_1961847963.html), publicly available at least as early as Oct. 22, 2014 (5 pages).

“Shower Caddy \$4 or Caddy & Basket Set \$5”, printed from [www.pinchinyourpennies.com/forums/showthread.php?t=176422](http://www.pinchinyourpennies.com/forums/showthread.php?t=176422), publicly available at least as early as May 7, 2011 (2 pages).

“Silver 3-Tier Siena Rolling Cart”, printed from [www.containerstore.com/shop/kitchen/carts?productId=10025137](http://www.containerstore.com/shop/kitchen/carts?productId=10025137), publicly available at least as early as Feb. 13, 2010 (3 pages).

“Silver Mesh Rolling Cart”, printed from <http://theorganizingstore.com/cart-mesh-giant-silver-design-ideas.html?cmp=nextopia&kw=cart-mesh-giant-silver-design-ideas>, publicly available at least as early as Oct. 15, 2014 (2 pages).

“Spa Small Bath Caddy in Pear”, printed from [www.ocm.com/OCM/Bedding\\_and\\_Bath/Bathroom\\_Essentials/Shower\\_Caddies/Spa\\_Small\\_Bath\\_Caddy\\_in\\_Pear-81243](http://www.ocm.com/OCM/Bedding_and_Bath/Bathroom_Essentials/Shower_Caddies/Spa_Small_Bath_Caddy_in_Pear-81243), publicly available at least as early as Oct. 14, 2014 (2 pages).

\* cited by examiner

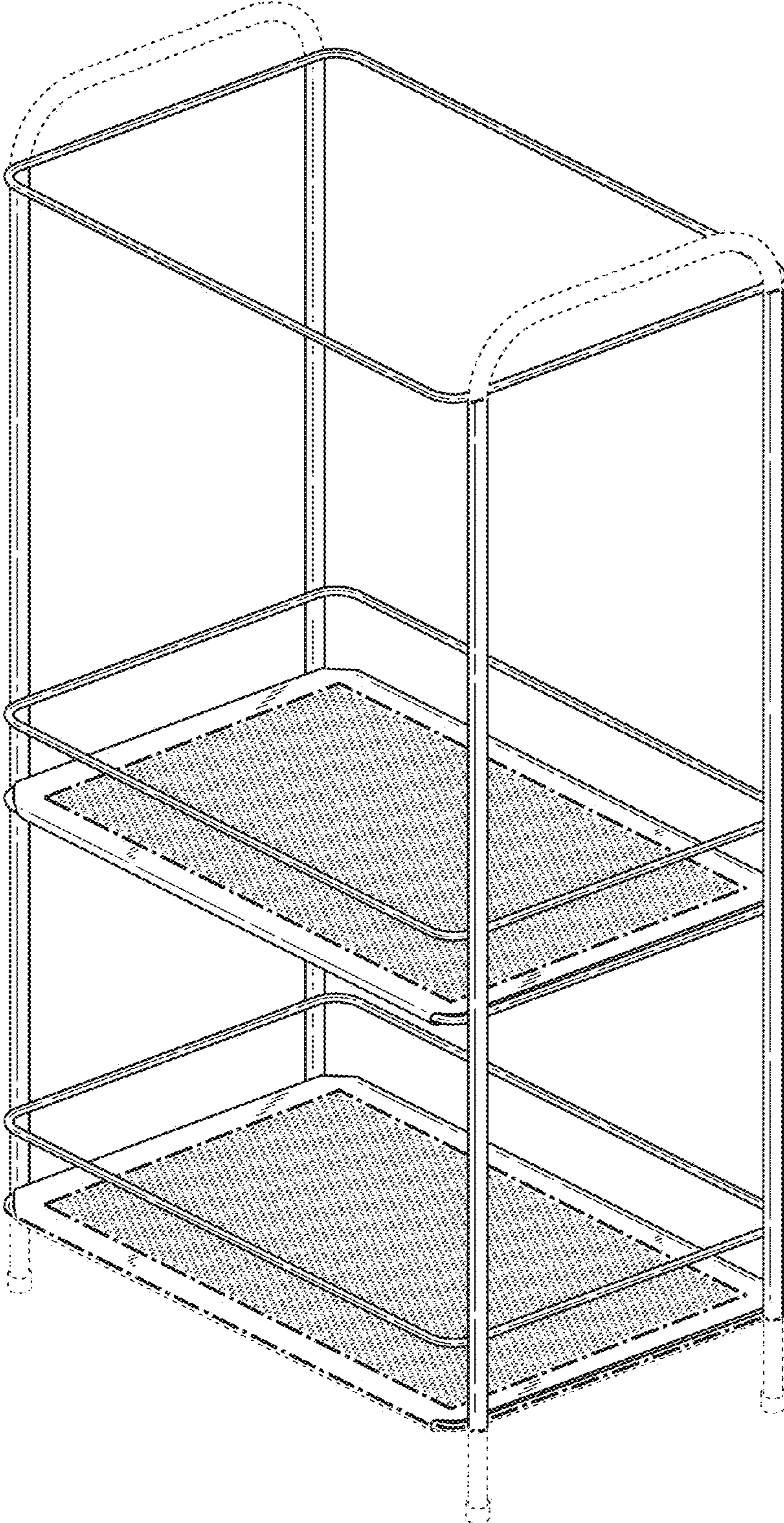


FIG. 1

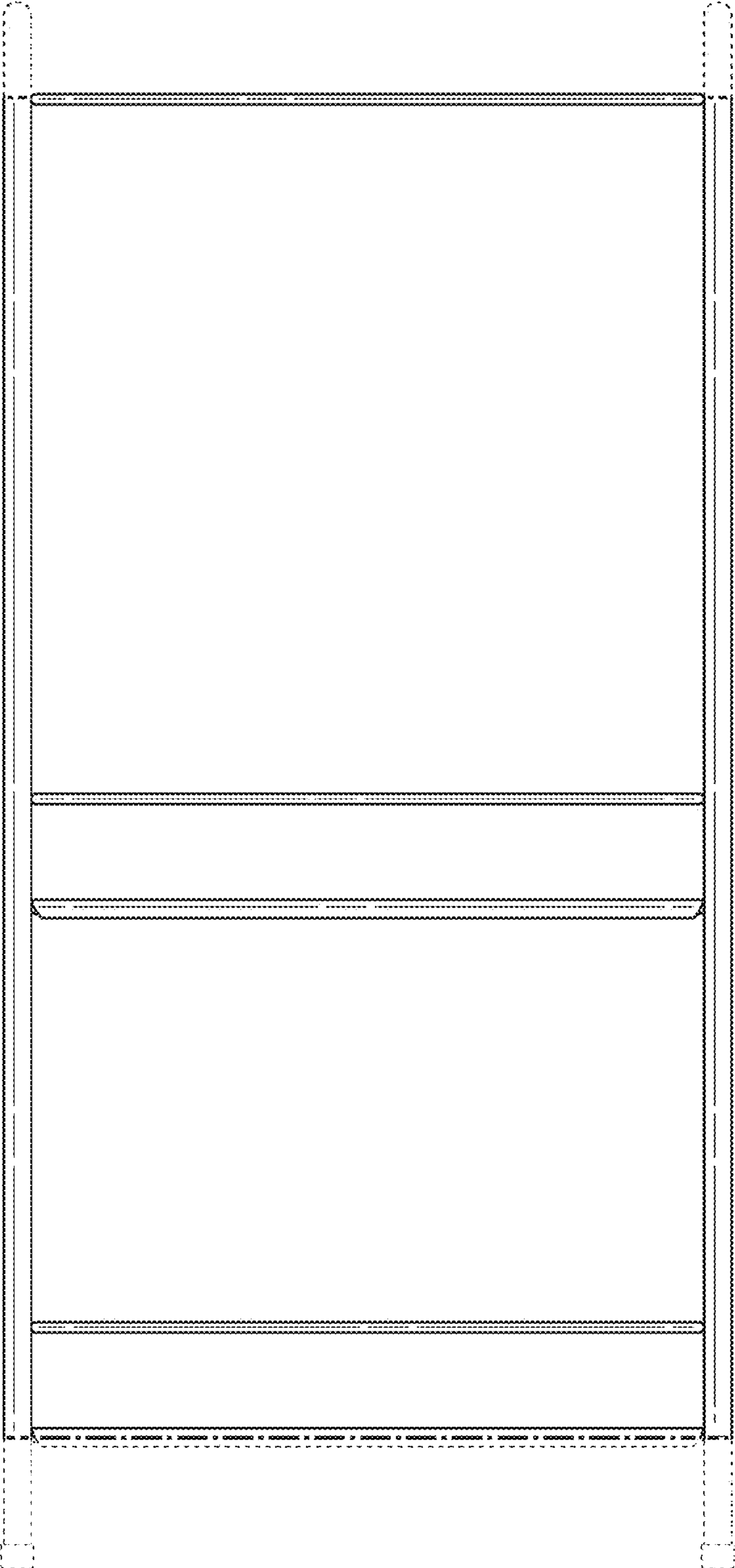


FIG. 2

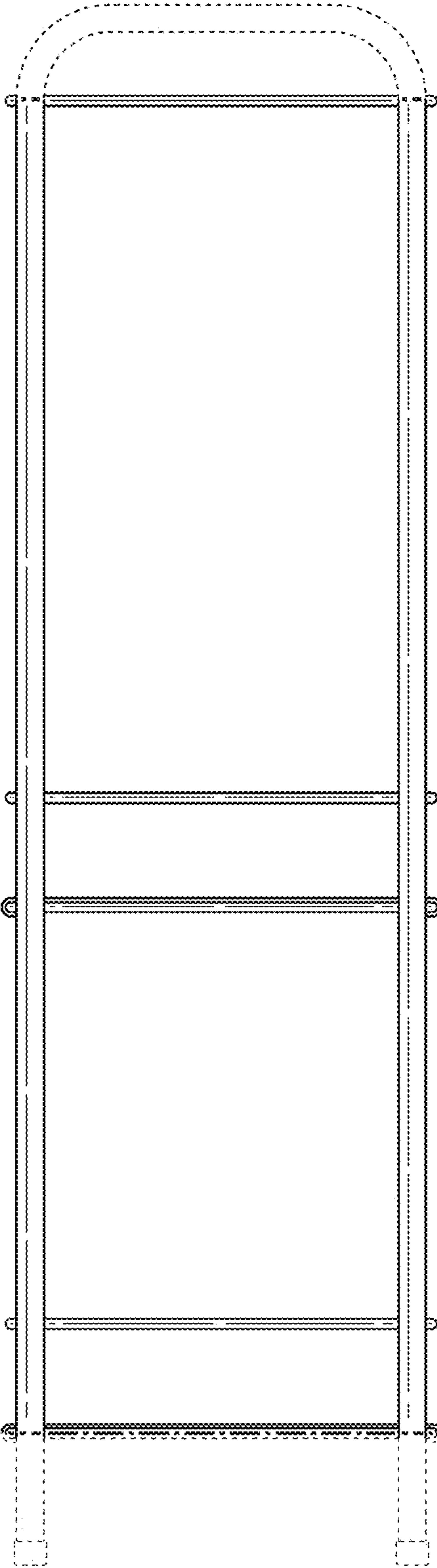


FIG. 3

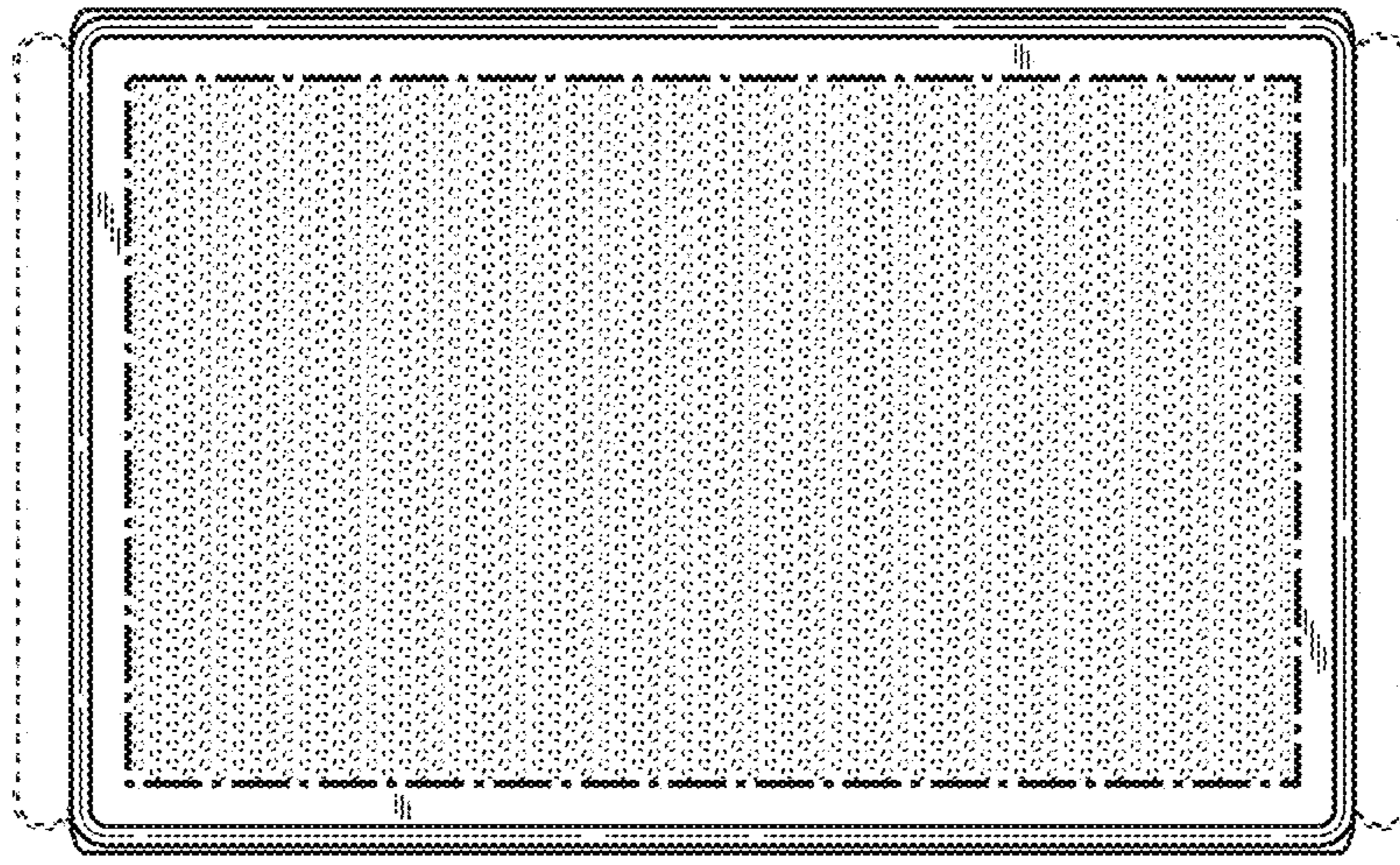


FIG. 4

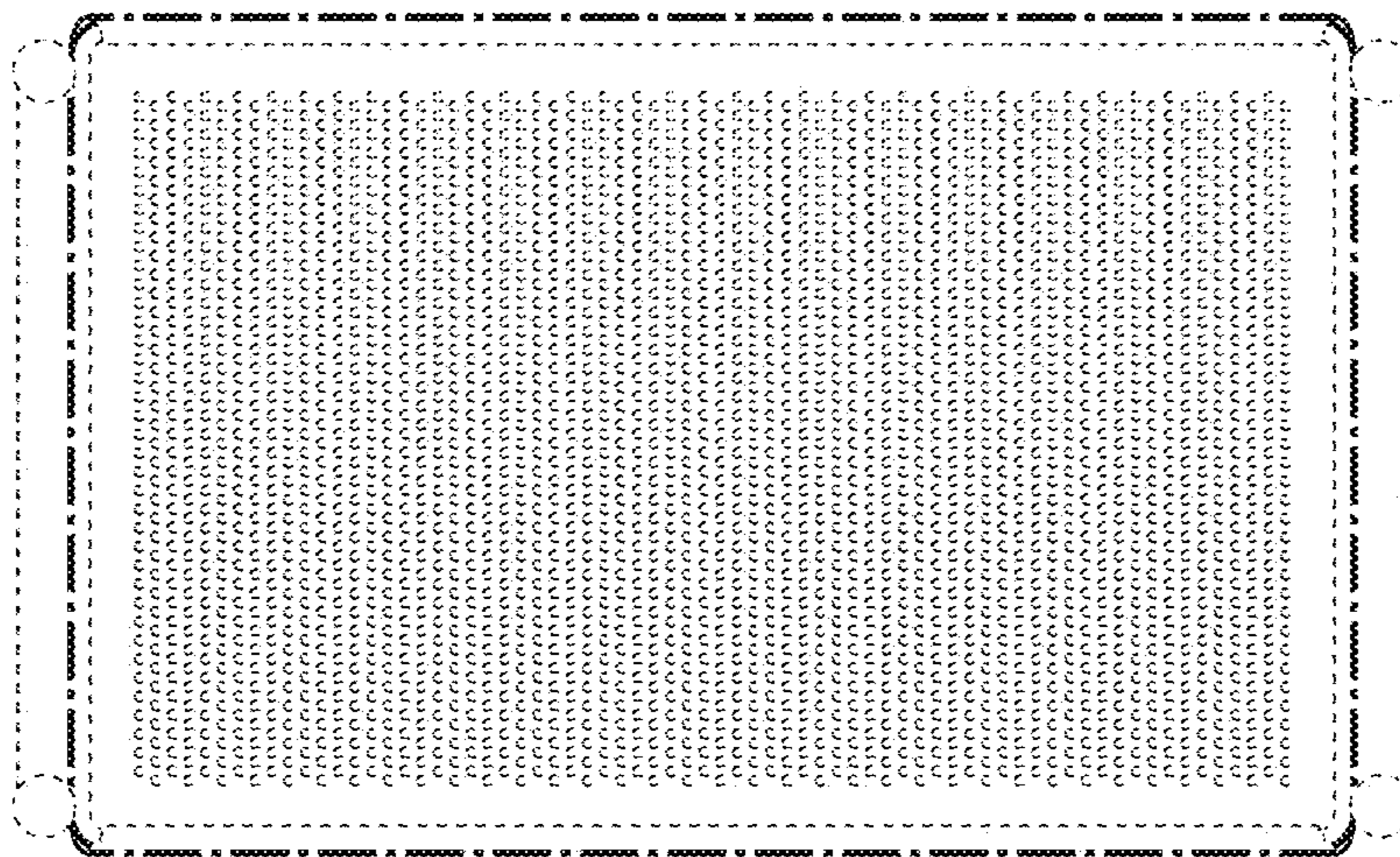


FIG. 5

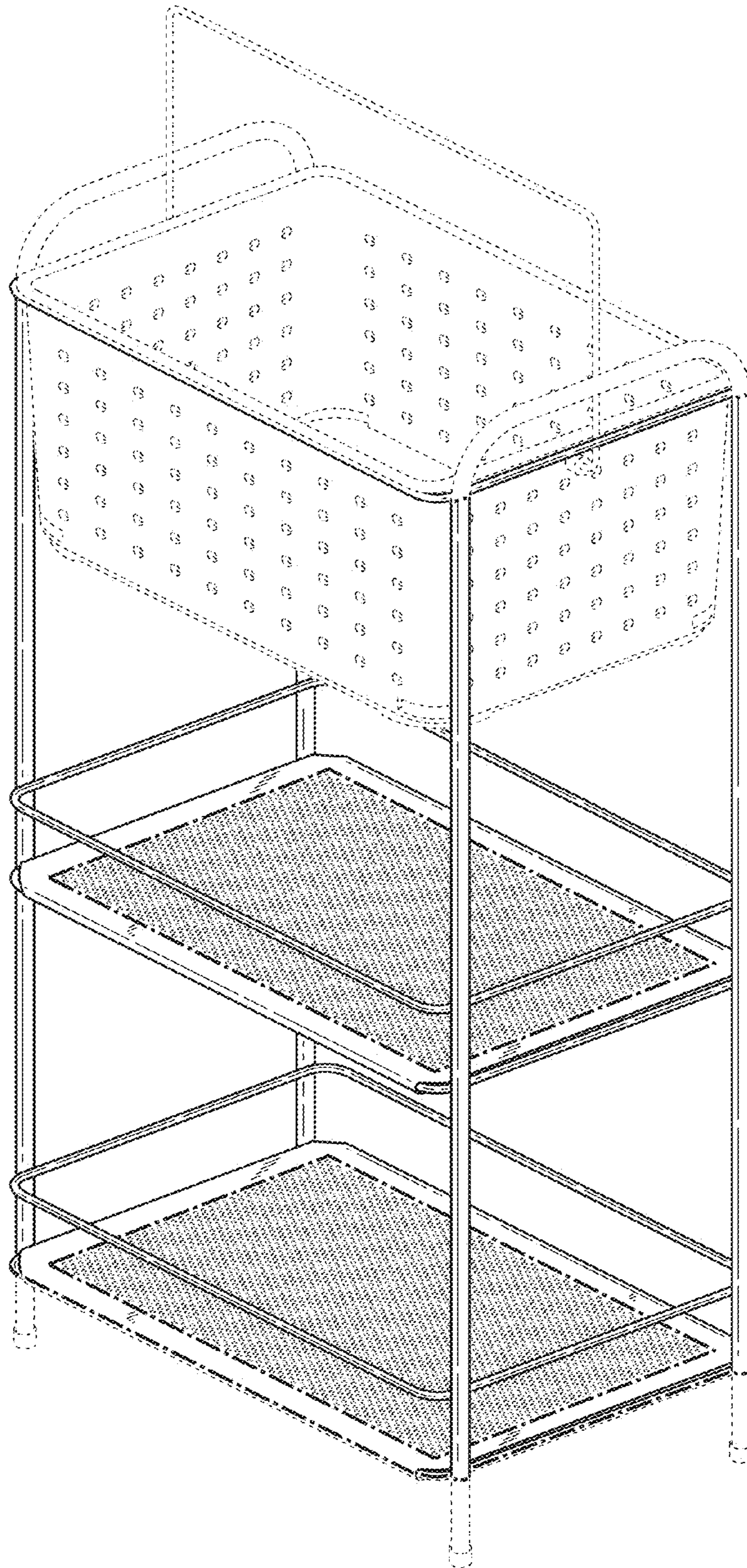


FIG. 6

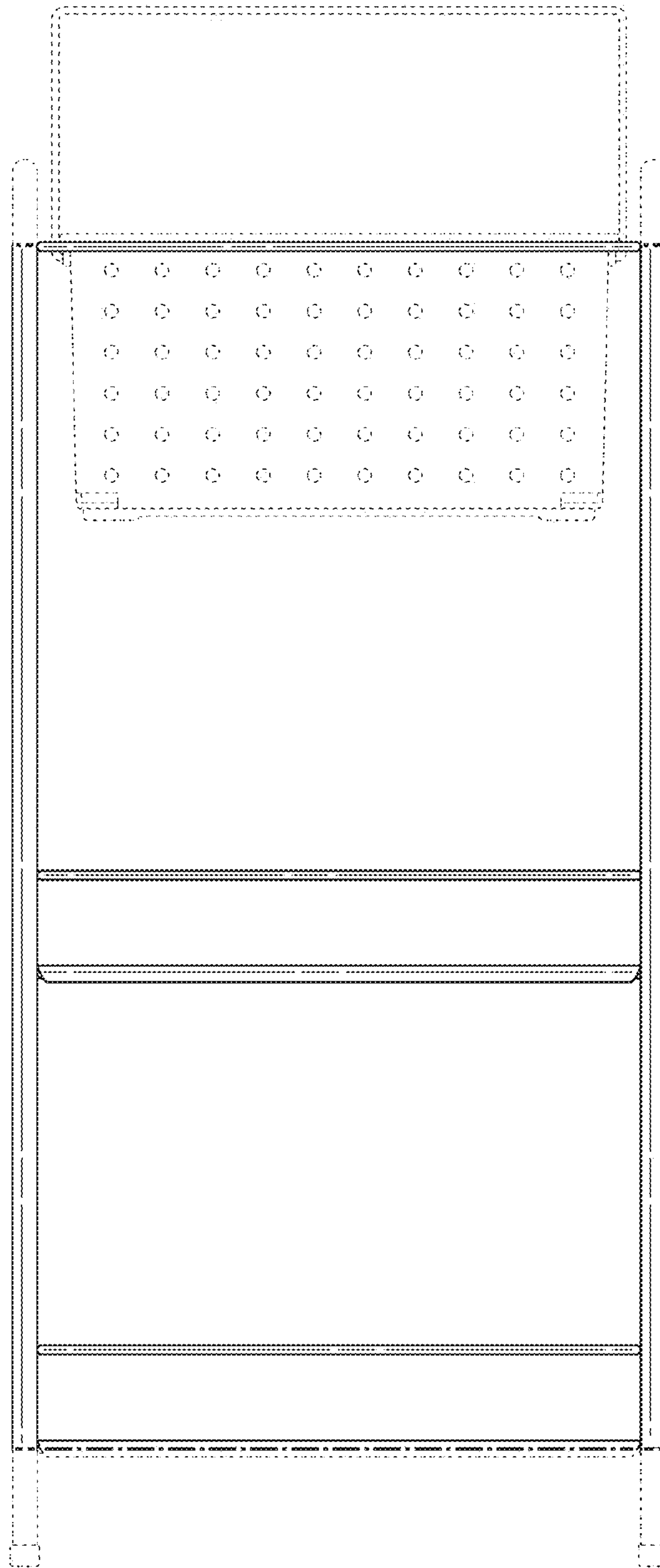


FIG. 7



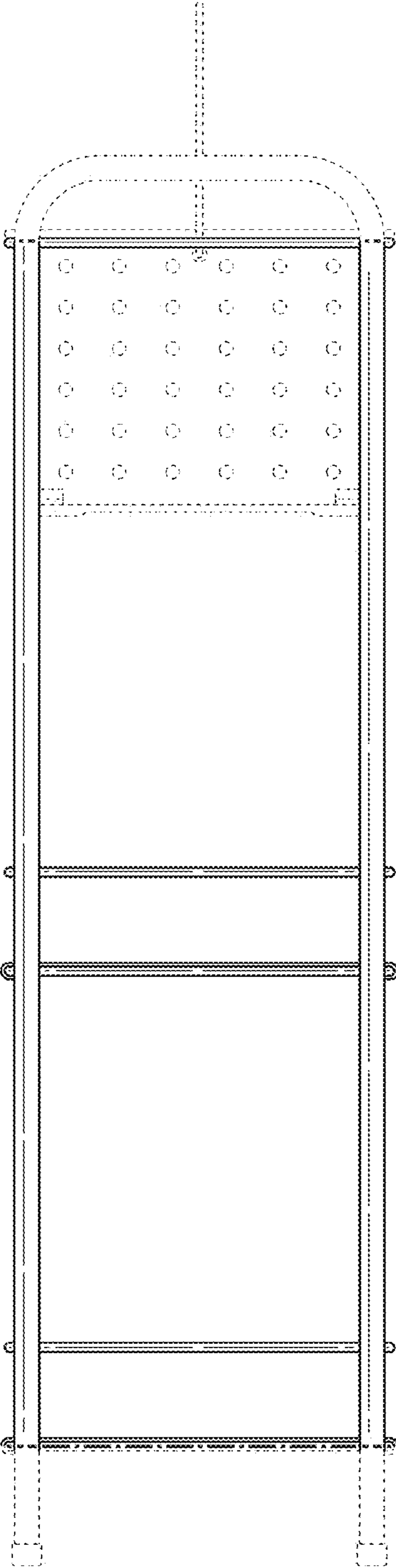


FIG. 8

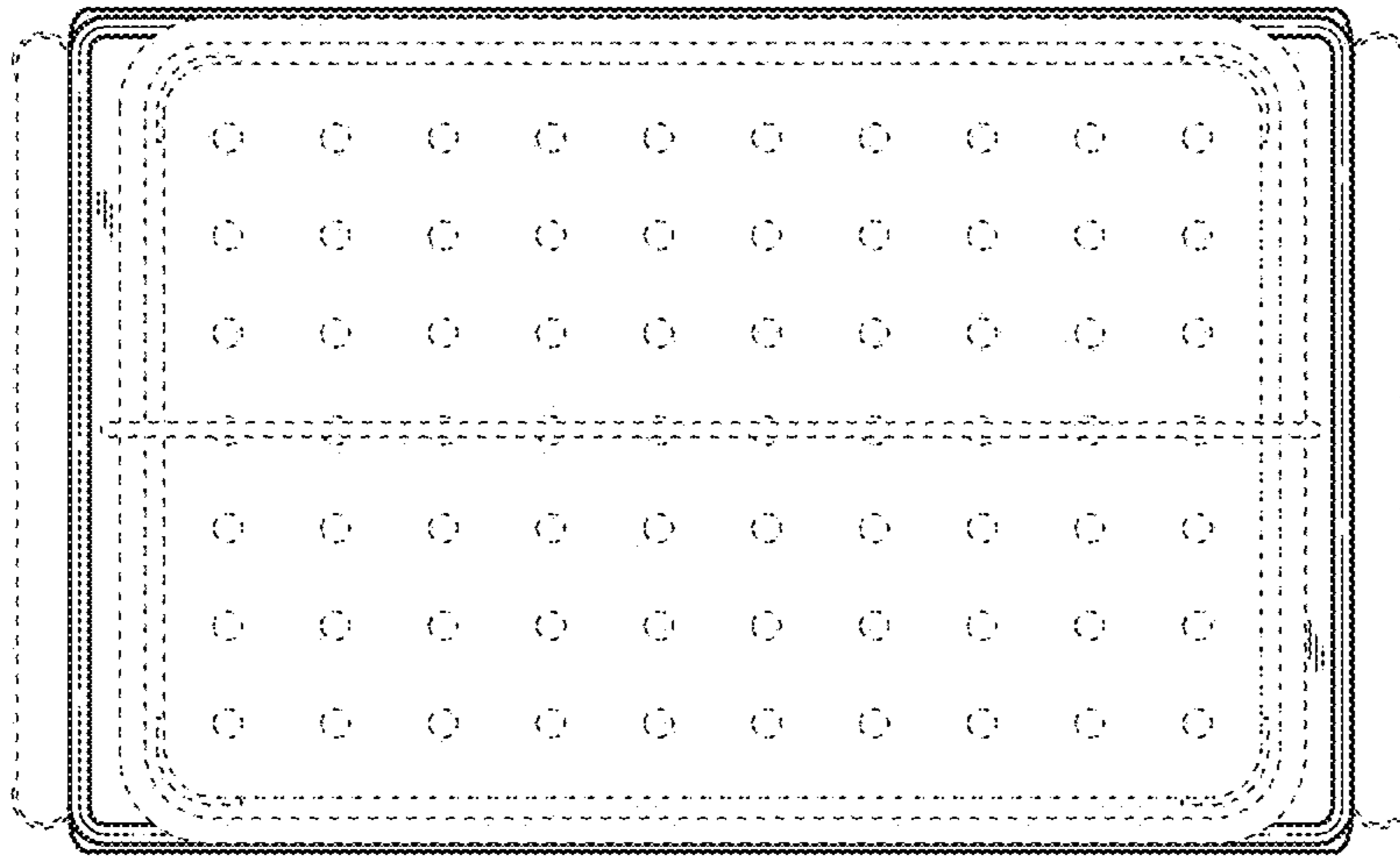


FIG. 9

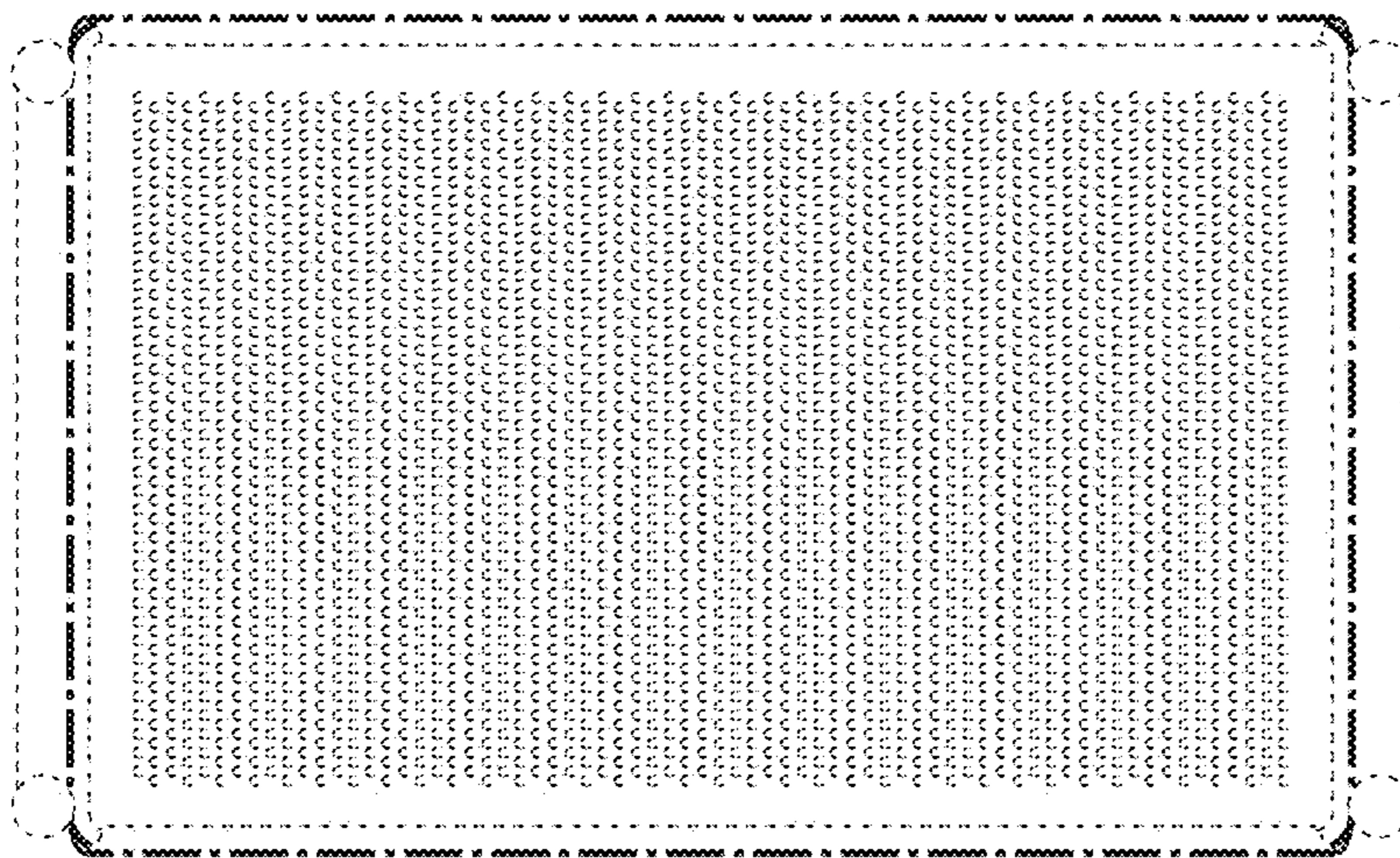


FIG. 10